



US00D356045S

United States Patent [19]

[11] Patent Number: **Des. 356,045**

Payne

[45] Date of Patent: **** Mar. 7, 1995**

[54] THERMOMETER FOR A SHOWER HEAD

5,199,790 4/1993 Pawelzik et al. 374/147

[76] Inventor: **Gene Payne**, 1022 Wendell Way,
Garland, Tex. 75043

Primary Examiner—Alan P. Douglas
Assistant Examiner—Antoine D. Davis
Attorney, Agent, or Firm—Terry M. Gernstein

[**] Term: **14 Years**

[21] Appl. No.: **14,304**

[57] **CLAIM**

[22] Filed: **Oct. 20, 1993**

The ornamental design for a thermometer for a shower head, as shown and described.

[52] U.S. Cl. **D10/57; D10/49**

[58] Field of Search **D10/49, 50, 57;**
D23/228; 239/71, 211; 236/94; 374/141, 142,
147, 208, 148; 116/217, 276; 136/291; 137/551

DESCRIPTION

[56] **References Cited**

U.S. PATENT DOCUMENTS

D. 309,270	7/1990	Uchiyama	D10/57
D. 312,216	11/1990	Nadzak et al.	D10/57
2,708,551	5/1955	Record	236/12.17
3,067,942	12/1962	Renne	236/12.17
4,877,181	10/1989	Stewart	236/12.17
5,160,197	11/1992	Klose	374/148 X

FIG. 1 is a front, top and side perspective view of the thermometer for a thermometer for a shower head showing my new design;

FIG. 2 is a front elevational view thereof;

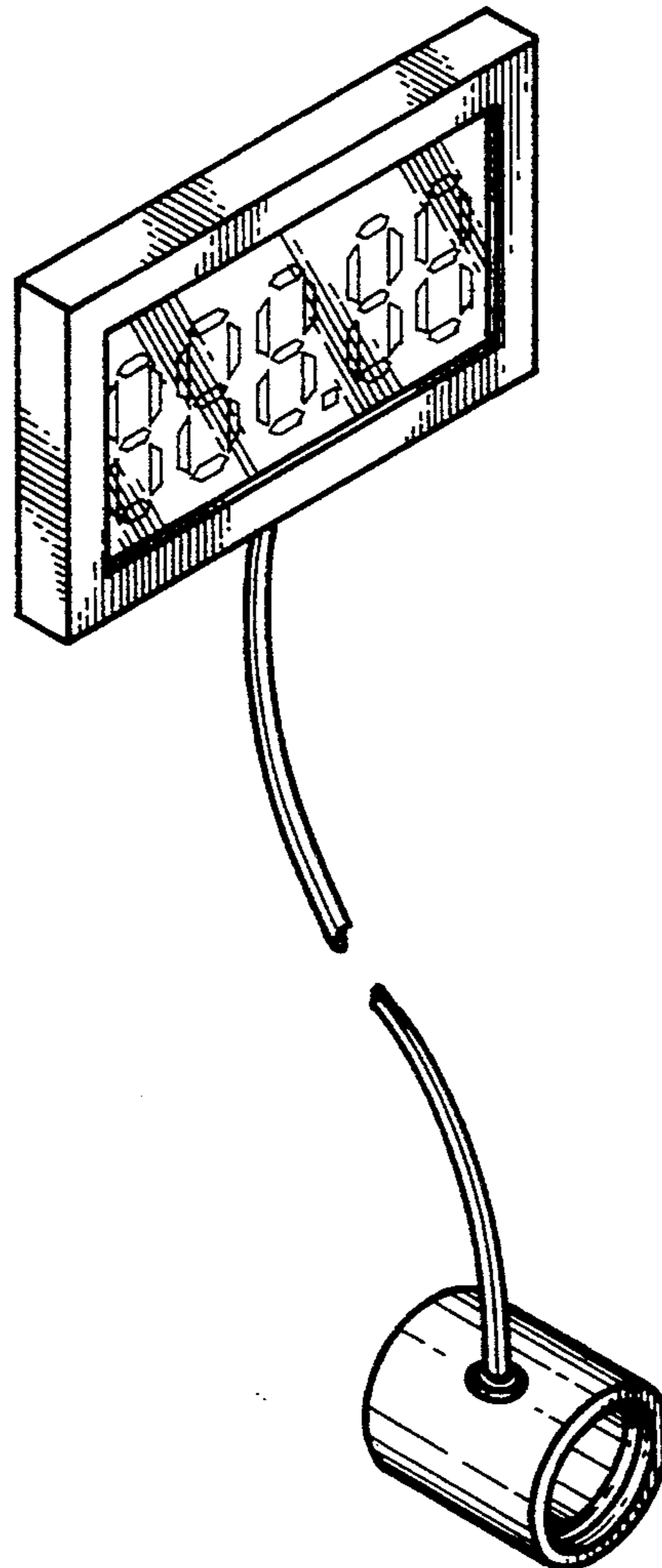
FIG. 3 is a rear elevational view thereof;

FIG. 4 is a side elevational view thereof, the side opposite being a mirror image of the side shown in FIG. 4;

FIG. 5 is a top plan view thereof; and,

FIG. 6 is a bottom plan view thereof.

The numbers on the display screen are conventional in form.



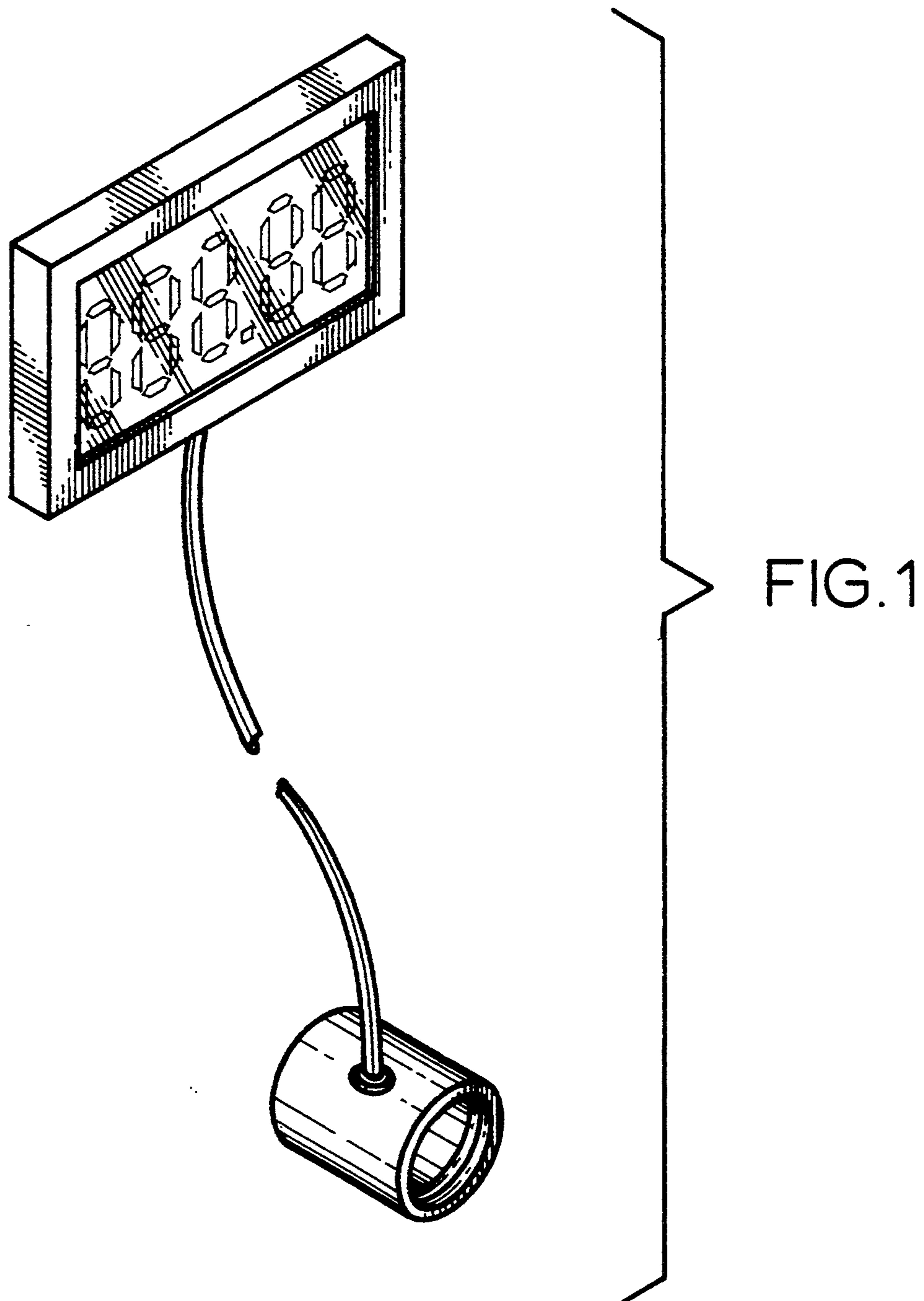


FIG. 2

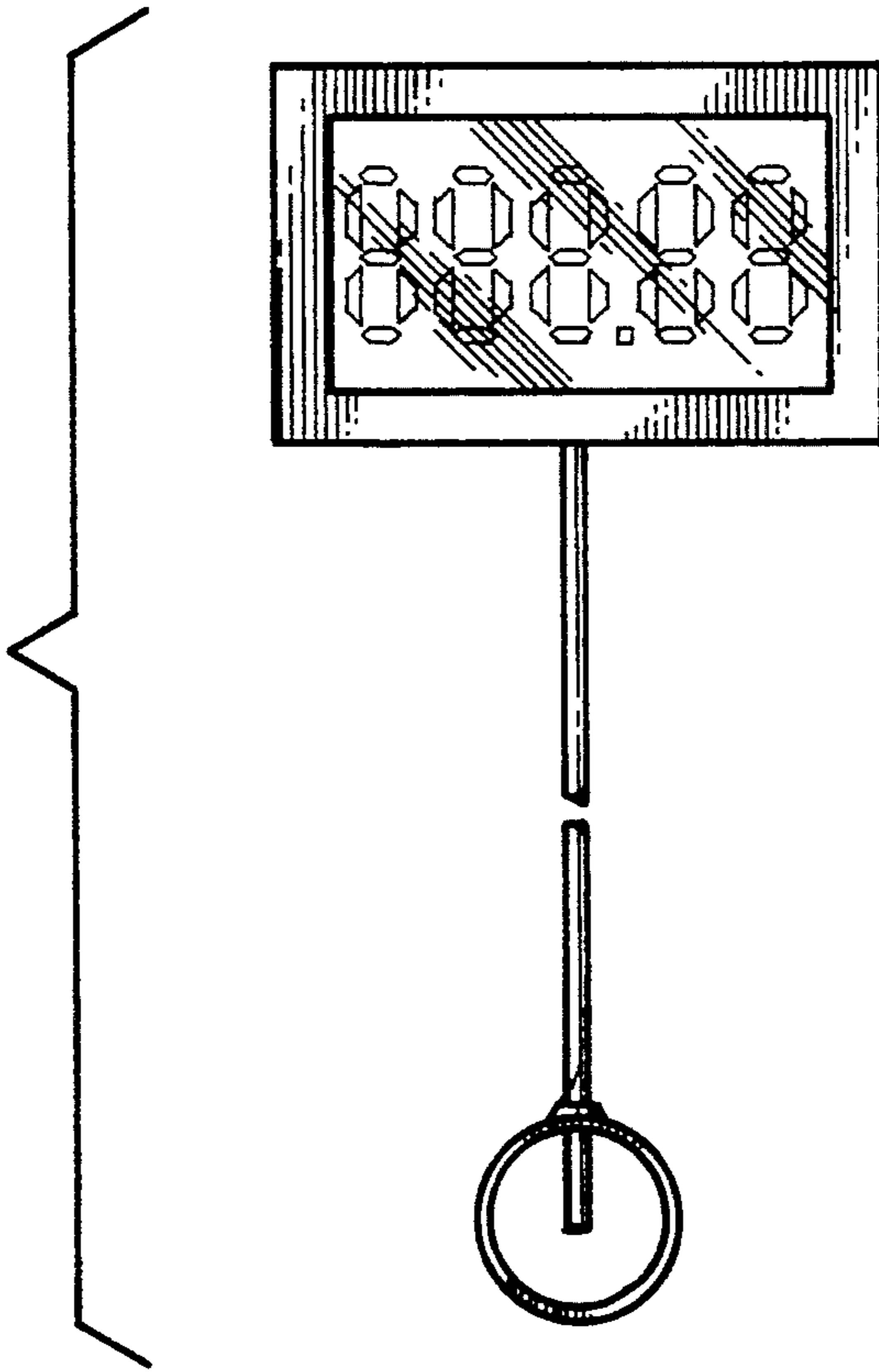


FIG. 3

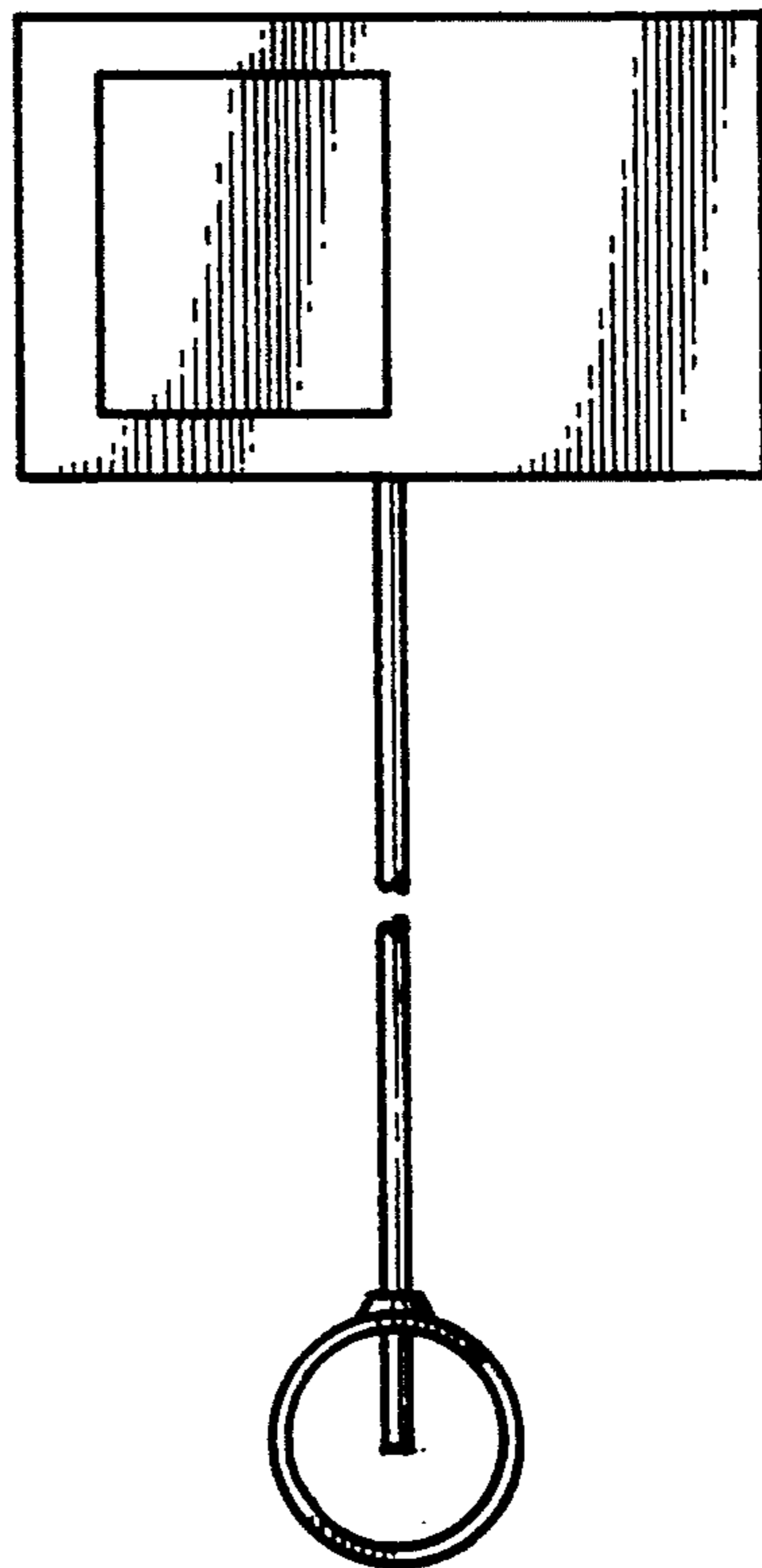


FIG. 4

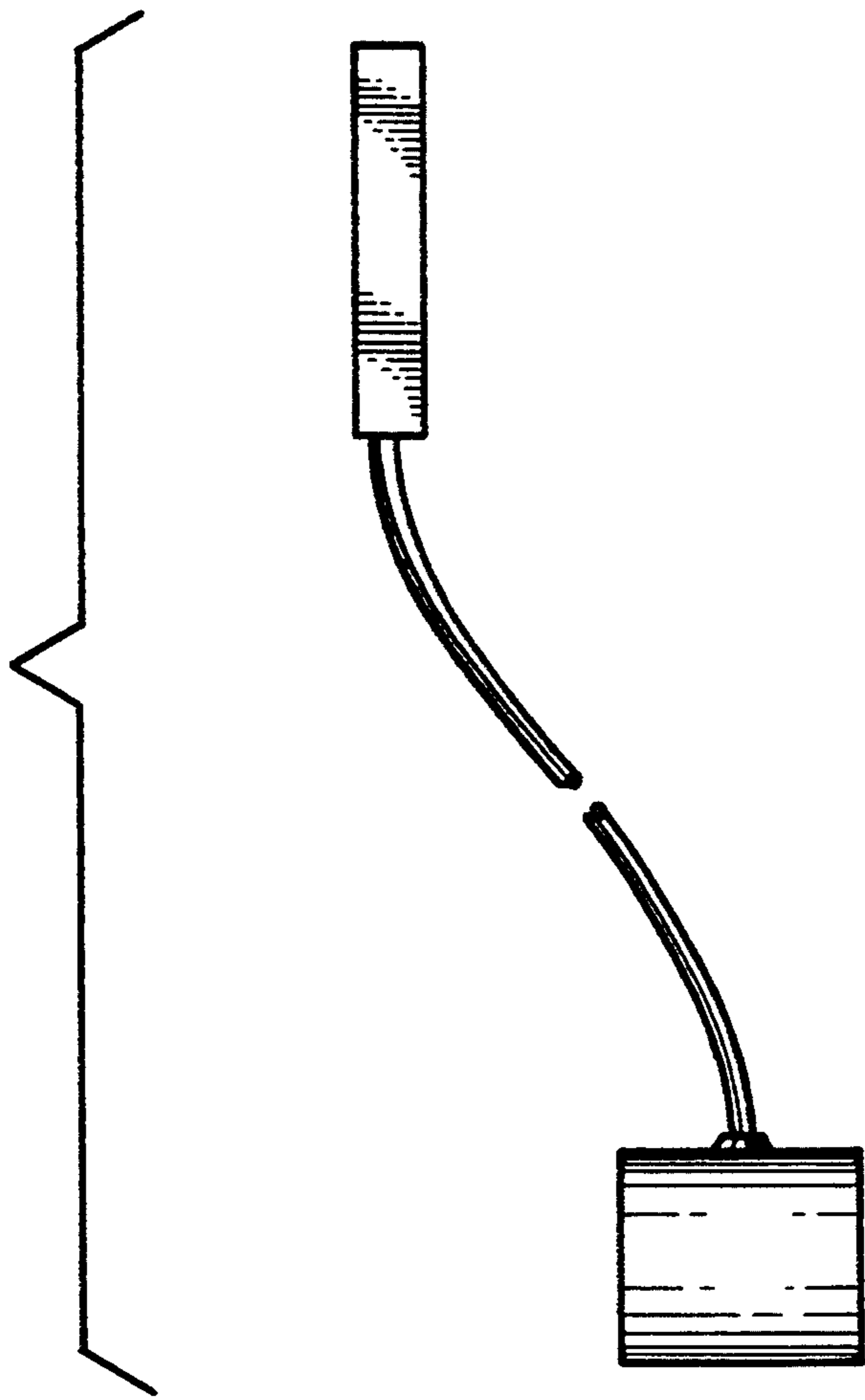


FIG. 5

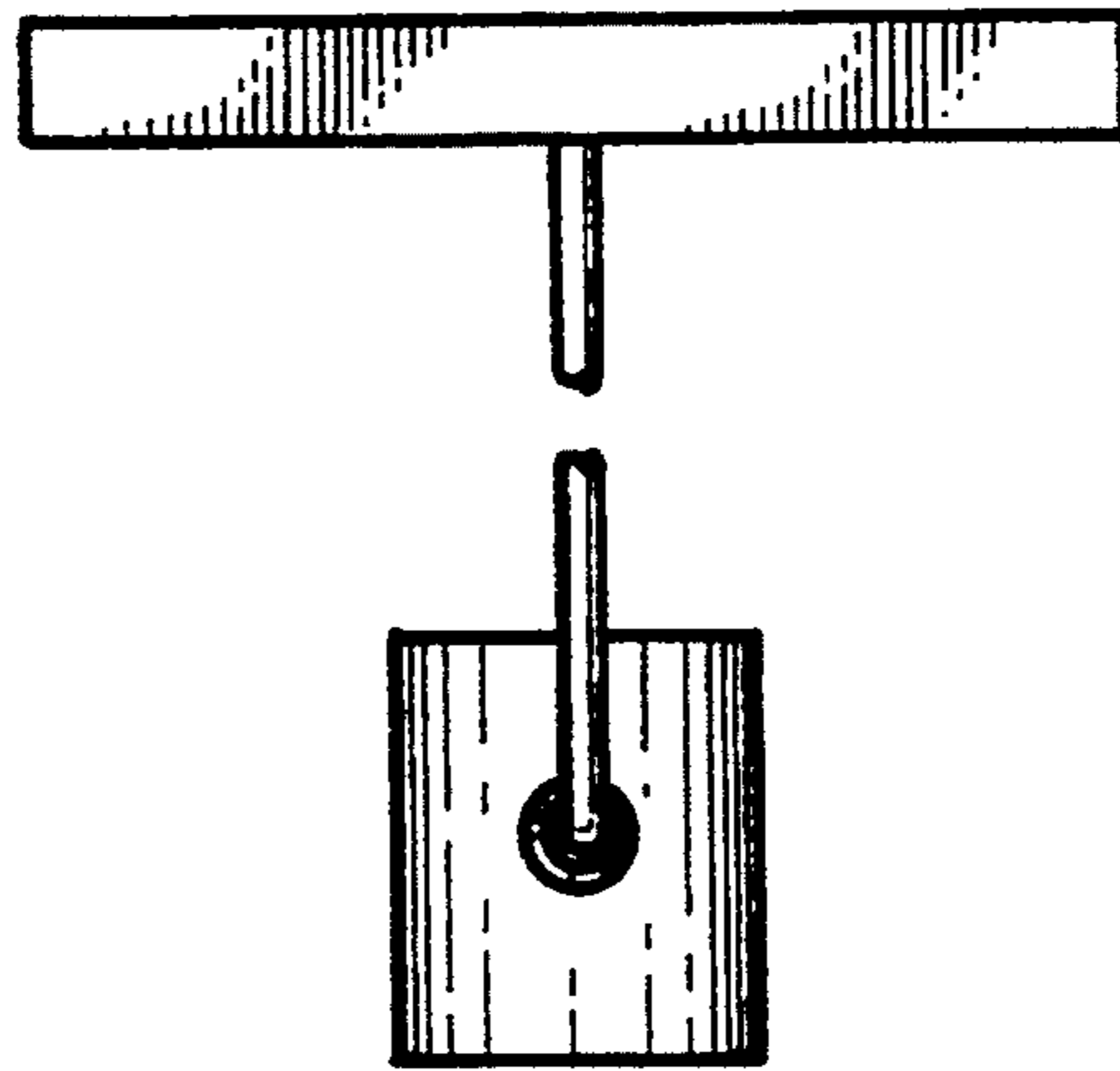
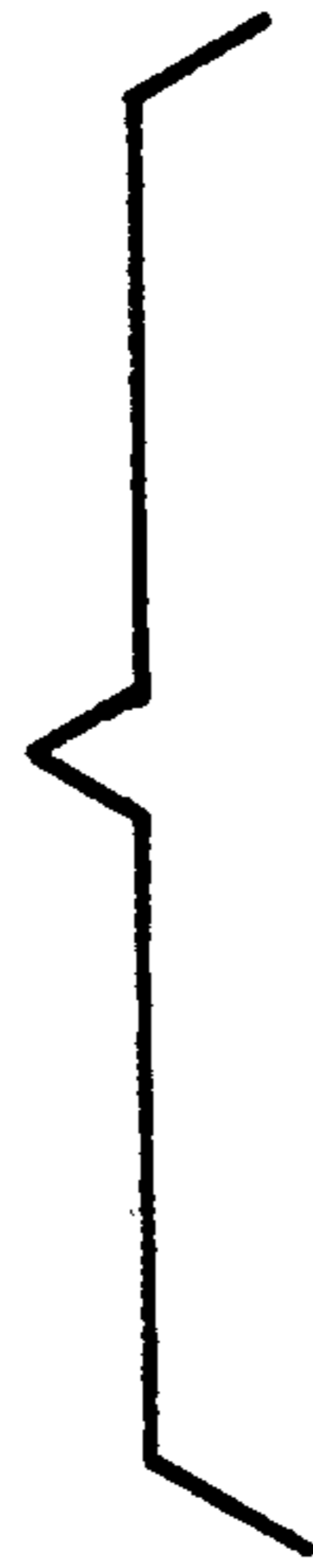


FIG. 6

