



US00D356037S

United States Patent [19] Jury

[11] Patent Number: **Des. 356,037**

[45] Date of Patent: **** Mar. 7, 1995**

[54] **OIL BOTTLE**

[75] Inventor: **Jeffrey T. Jury, Cherry Hill, N.J.**

[73] Assignee: **Intermountain Canola Company,
Cinnaminson, N.J.**

[**] Term: **14 Years**

[21] Appl. No.: **13,877**

[22] Filed: **Oct. 5, 1993**

[52] U.S. Cl. **D9/557**

[58] Field of Search **D9/557, 502, 545, 570,
D9/558, 562; 215/1 R, 1 C**

[56] **References Cited**

U.S. PATENT DOCUMENTS

D. 27,292	7/1897	Underhill	D9/502
D. 72,604	5/1927	Disette	D9/557 X
D. 86,353	3/1932	Cordy	D9/557 X
D. 100,298	7/1936	Smith	D9/557 X
D. 108,324	2/1938	Fuerst	D9/502
D. 272,797	2/1984	Silva	D7/302
D. 288,294	2/1987	Taylor et al.	D9/557 X
D. 294,461	3/1988	Papa	D9/349

D. 308,633	6/1990	Irvine	D9/376
D. 315,295	3/1991	Reece et al.	D9/370
D. 315,678	3/1991	Darr	D9/392
D. 321,651	11/1991	Cochran	D9/403
D. 322,562	12/1991	Narsutis	D9/397
D. 322,936	1/1992	Maginnis, Jr.	D9/397

OTHER PUBLICATIONS

Avon Catalog, Campaign 13, 1973, p. 35, Avon "Silk & Honey" creamy lotion bottle.

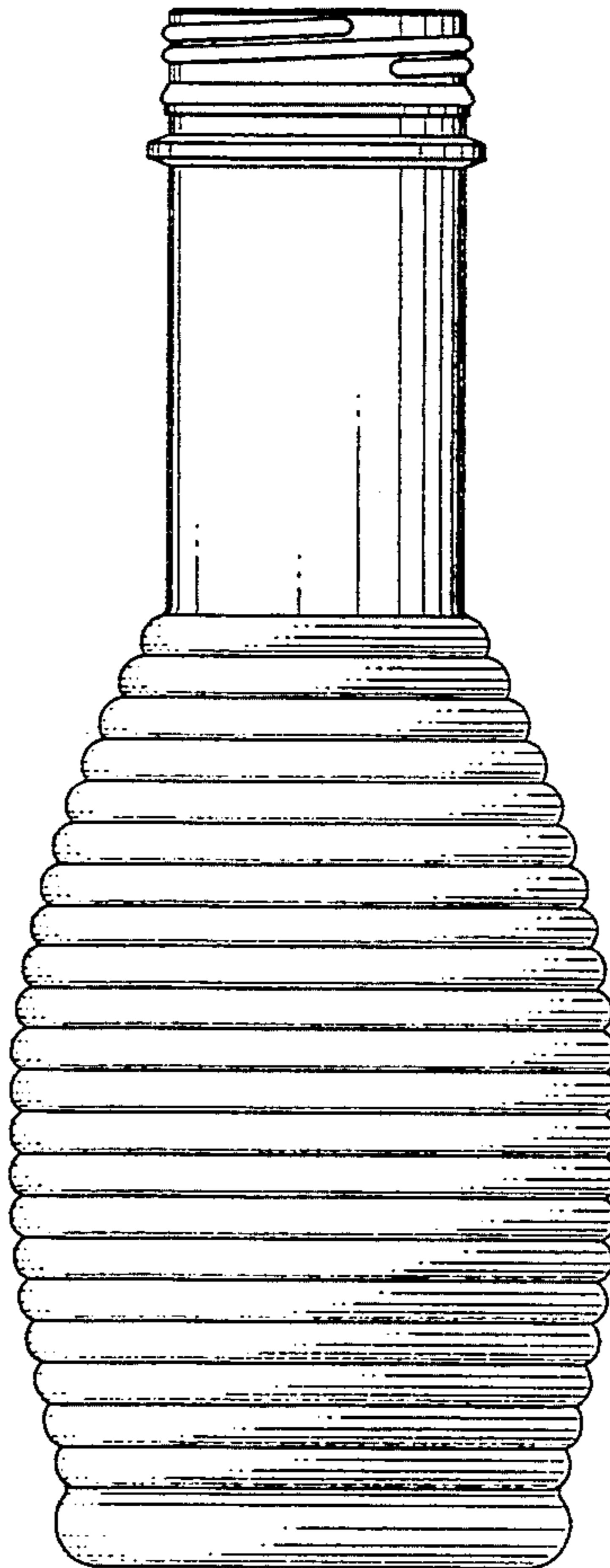
Primary Examiner—Lucy J. Lieberman

[57] **CLAIM**

The ornamental design for an oil bottle, as shown and described.

DESCRIPTION

FIG. 1 is a perspective view of an oil bottle showing my new design;
FIG. 2 is a front elevational view thereof;
FIG. 3 is a left side elevational view thereof;
FIG. 4 is a rear elevational view thereof;
FIG. 5 is a right side elevational view thereof;
FIG. 6 is a top plan view thereof; and,
FIG. 7 is a bottom plan view thereof.



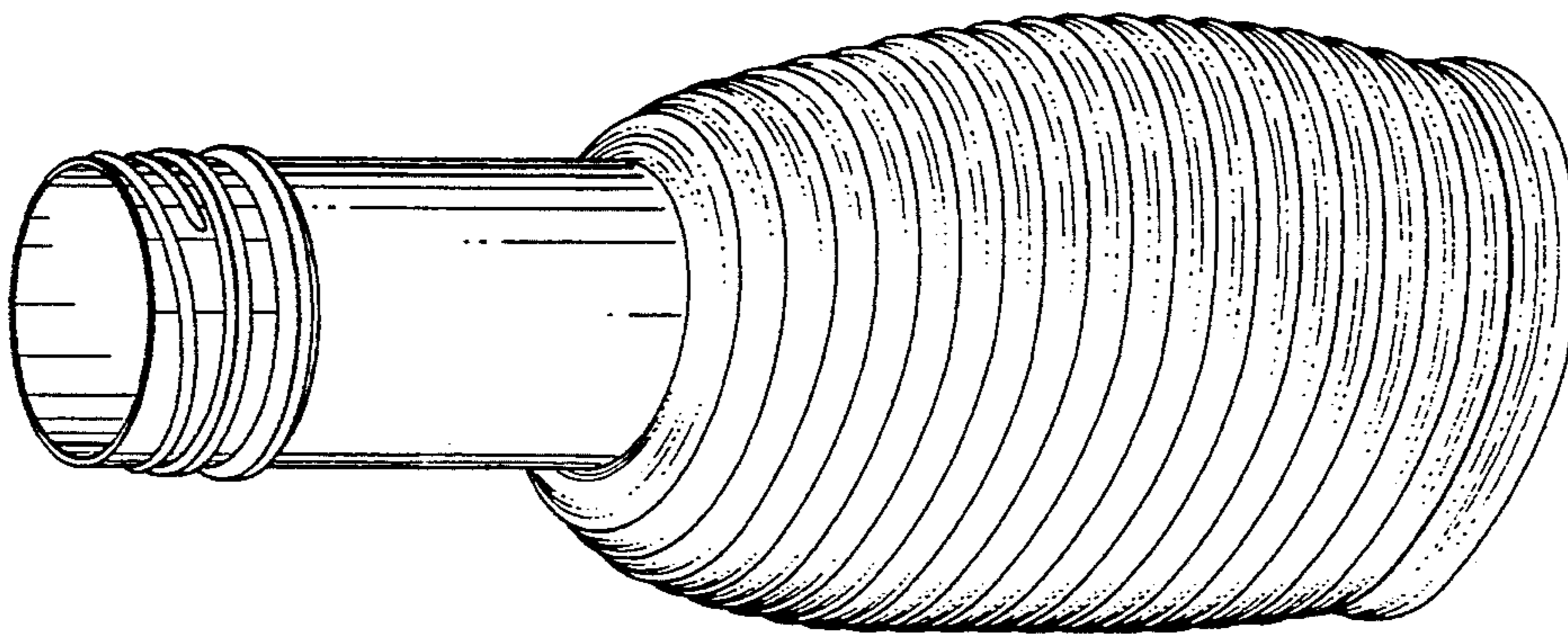


FIG. 1

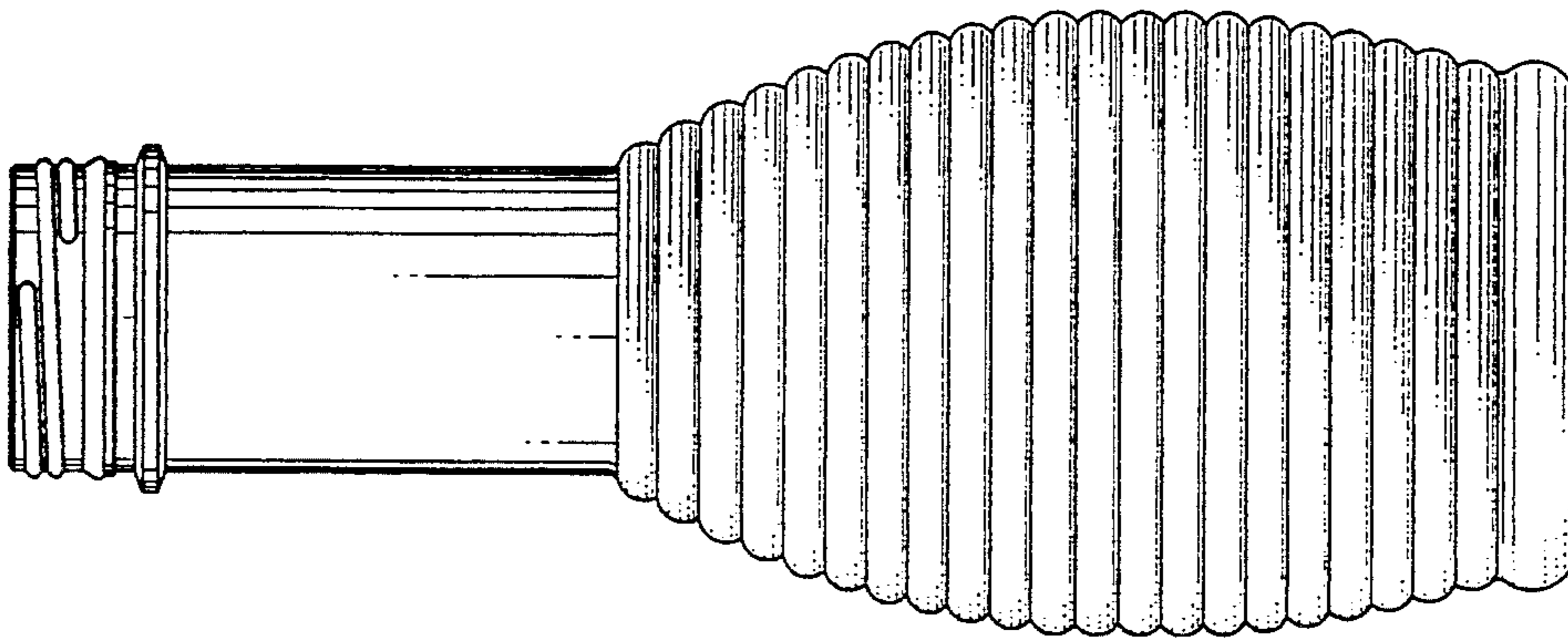


FIG. 2

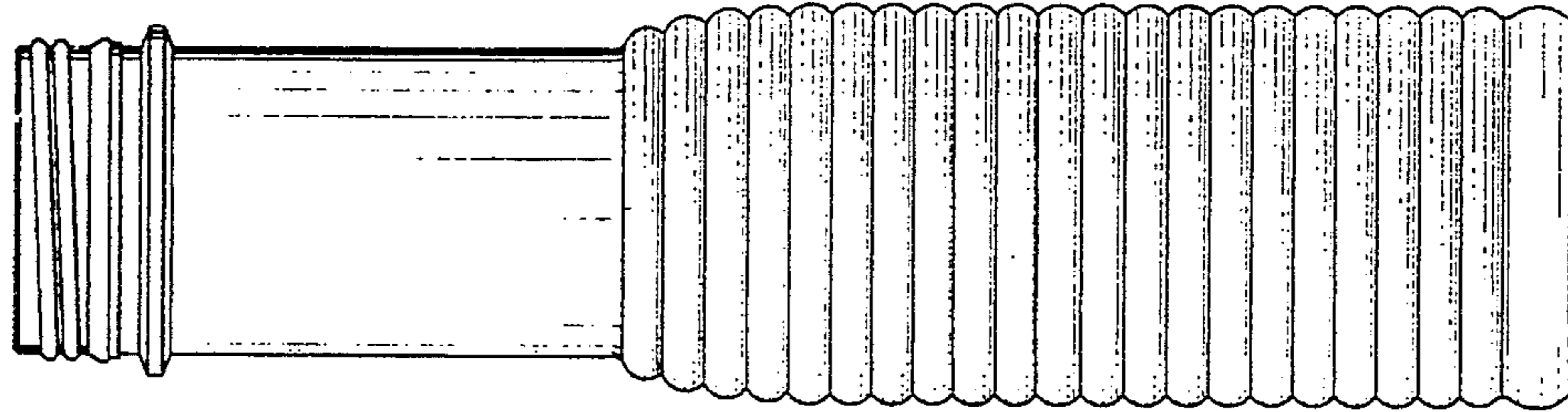


FIG. 3

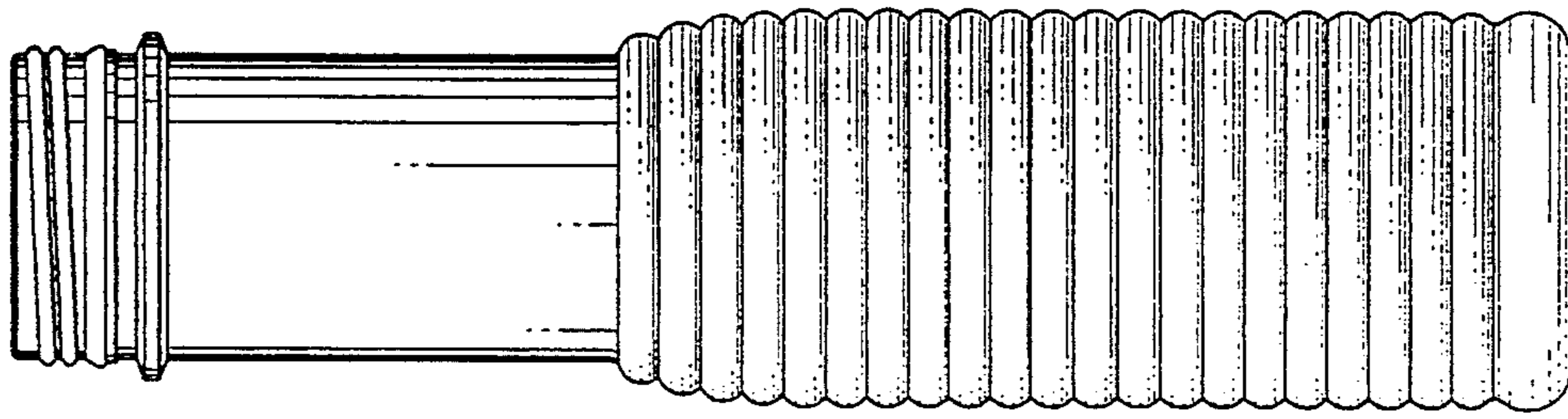


FIG. 4

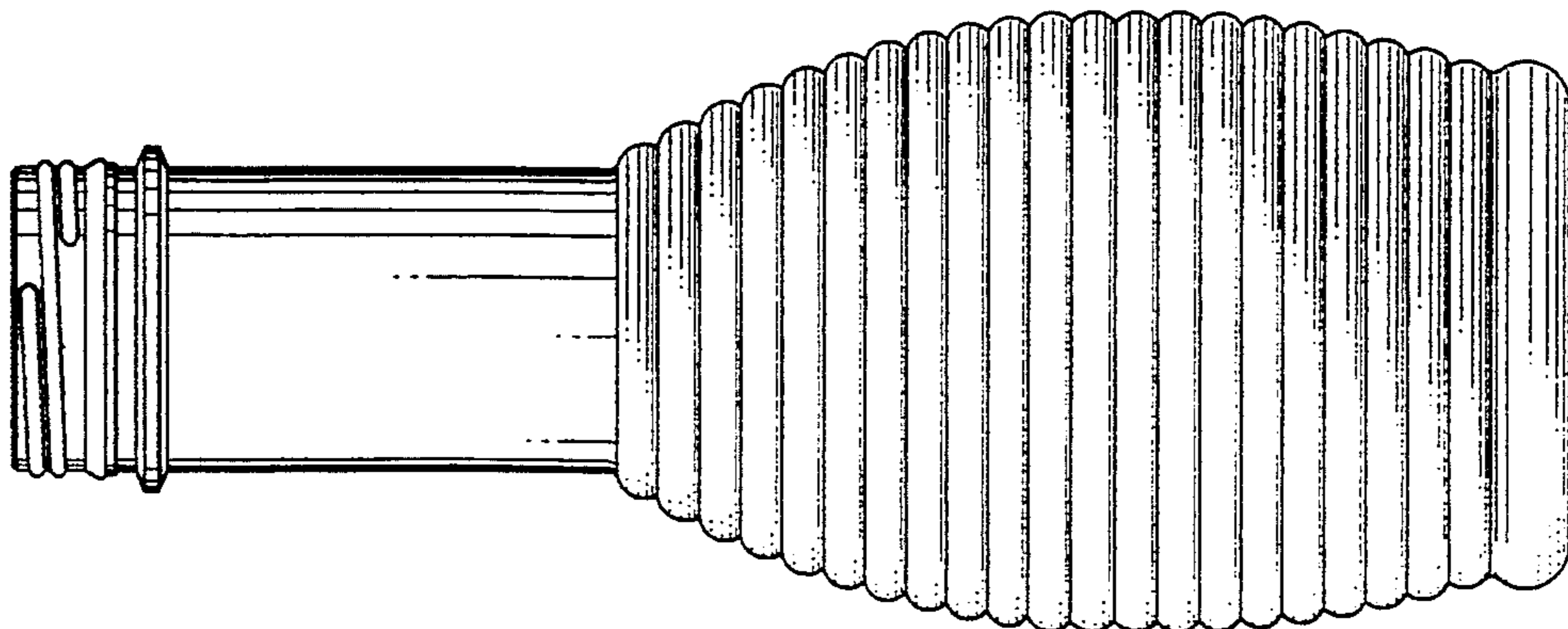


FIG. 5

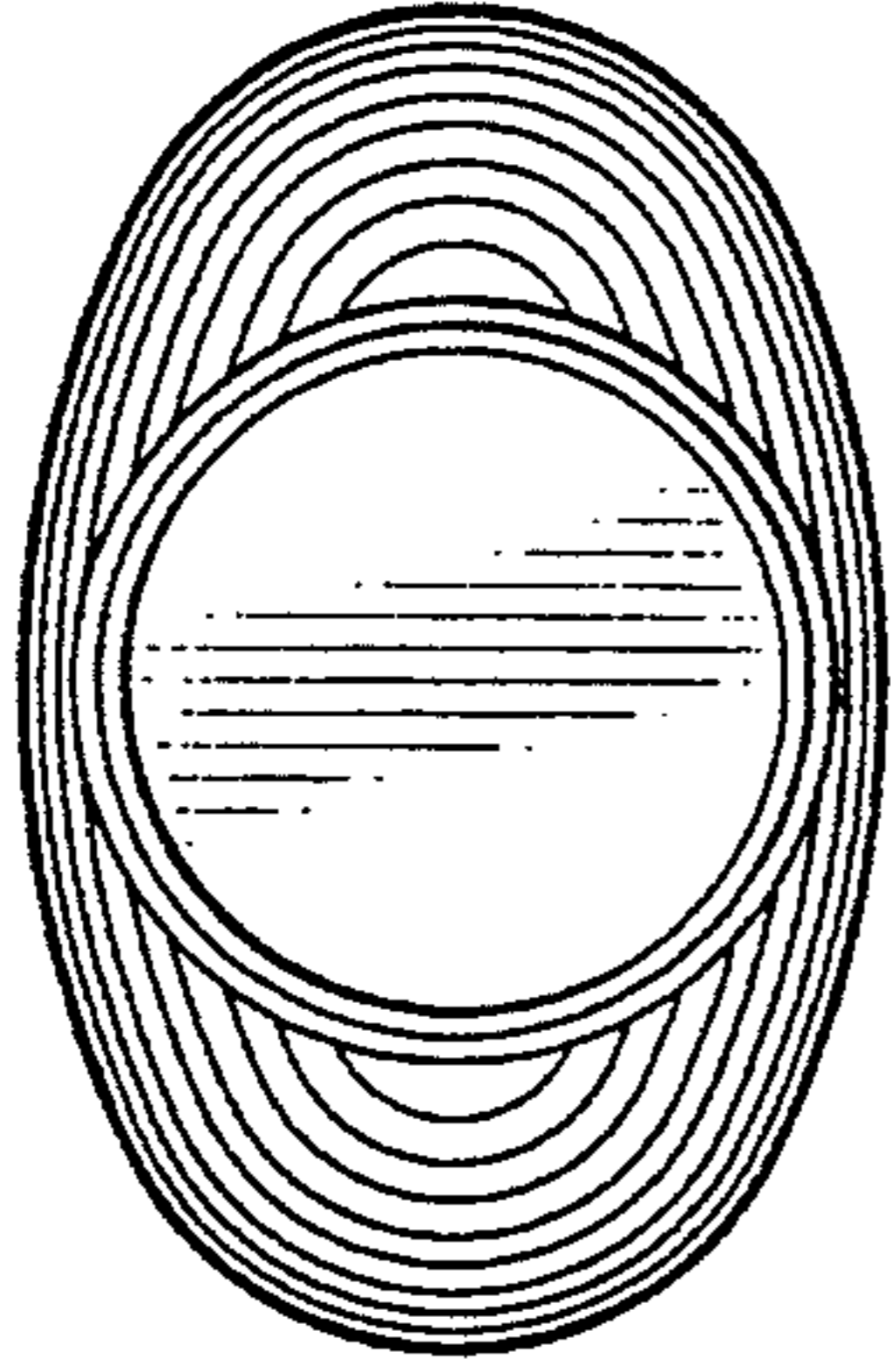


FIG. 6

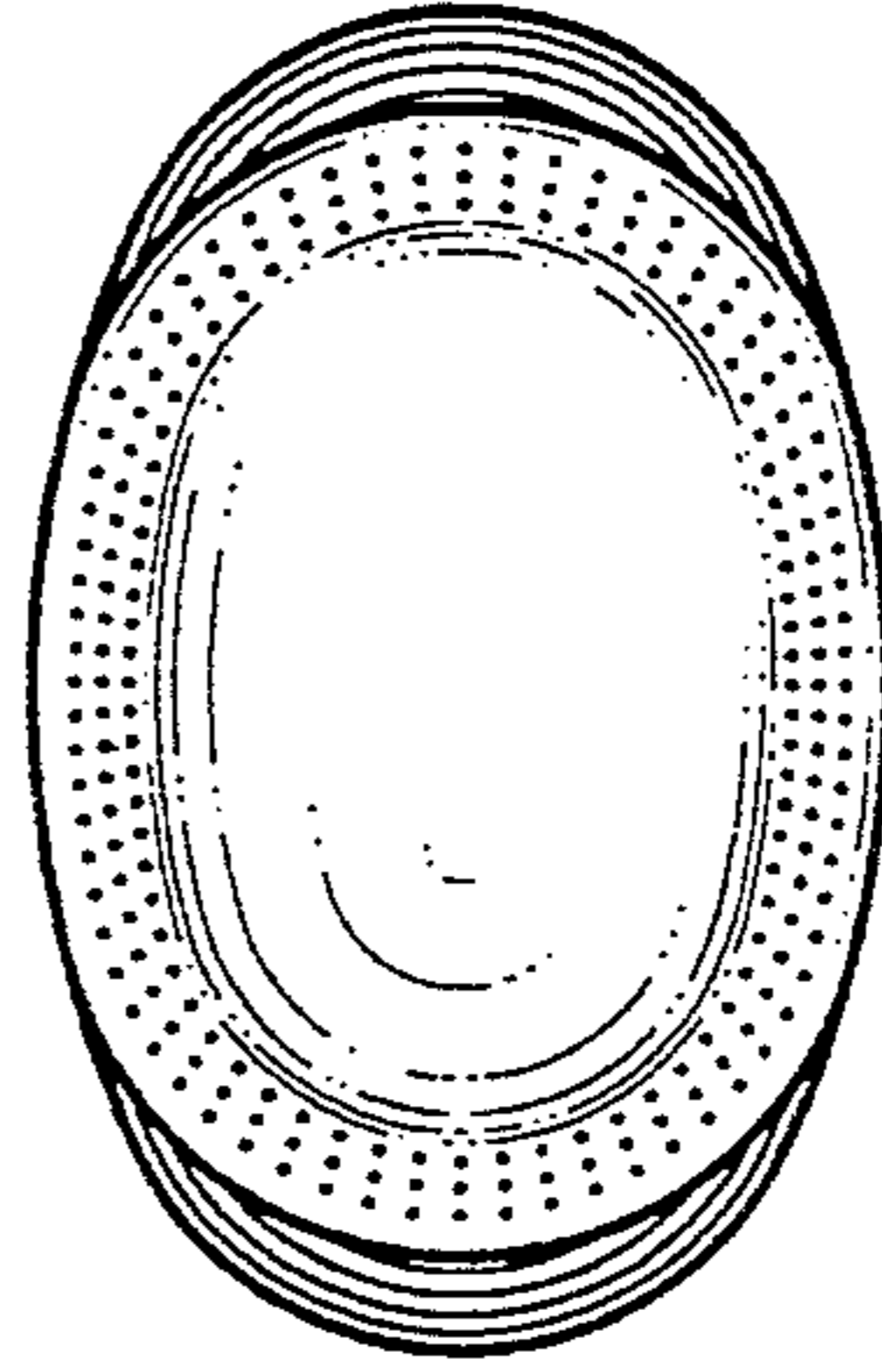


FIG. 7