



US00D356034S

United States Patent [19] Sugrue

[11] Patent Number: **Des. 356,034**

[45] Date of Patent: **** Mar. 7, 1995**

[54] **INSERT FOR A PAINT CAN**

[76] Inventor: **John Sugrue**, 5644 N. Artesian,
Chicago, Ill. 60659

[**] Term: **14 Years**

[21] Appl. No.: **3,606**

[22] Filed: **Jan. 11, 1993**

[52] U.S. Cl. **D9/439; D9/435;**
D9/443; D9/454

[58] Field of Search **D9/434-436,**
D9/439-441, 443, 447, 449, 452-454;
D7/300.1, 305, 312, 589; D18/40, 43;
215/100.5, 221, 228, 231, 238, 247-248, 329;
220/212, 278, 360, 578-580, 769, 231; 222/386,
386.5, 391, 569

4,416,387 11/1983 D'Antonio .
4,625,883 12/1986 Burke et al. .
4,723,674 2/1988 Nunes .
4,874,108 10/1989 Valasek .
5,213,230 5/1993 Kral 220/231

Primary Examiner—Alan P. Douglas
Assistant Examiner—R. Spear
Attorney, Agent, or Firm—Lockwood, Alex, FitzGibbon
& Cumming

[57] CLAIM

The ornamental design of a insert for a paint can, as shown and described.

DESCRIPTION

FIG. 1 is a perspective view of the insert for a paint can showing my new design;
FIG. 2 is an elevational view of one side thereof;
FIG. 3 is an elevational view of the other side thereof;
FIG. 4 is a top plan view thereof;
FIG. 5 is a bottom plan view thereof;
FIG. 6 is the front elevational view thereof; and,
FIG. 7 is a rear elevational view thereof.
The broken lines in FIGS. 1, 6, and 7 illustrate a series of perforations.

[56] **References Cited**
U.S. PATENT DOCUMENTS

D. 195,377	6/1963	Franzreb et al.	D9/439
D. 253,935	1/1980	Daenen	D9/454
2,556,195	6/1951	Kors .	
3,266,662	8/1966	Craig .	
3,987,941	10/1976	Blessing .	
4,334,630	6/1982	Bergin	220/212

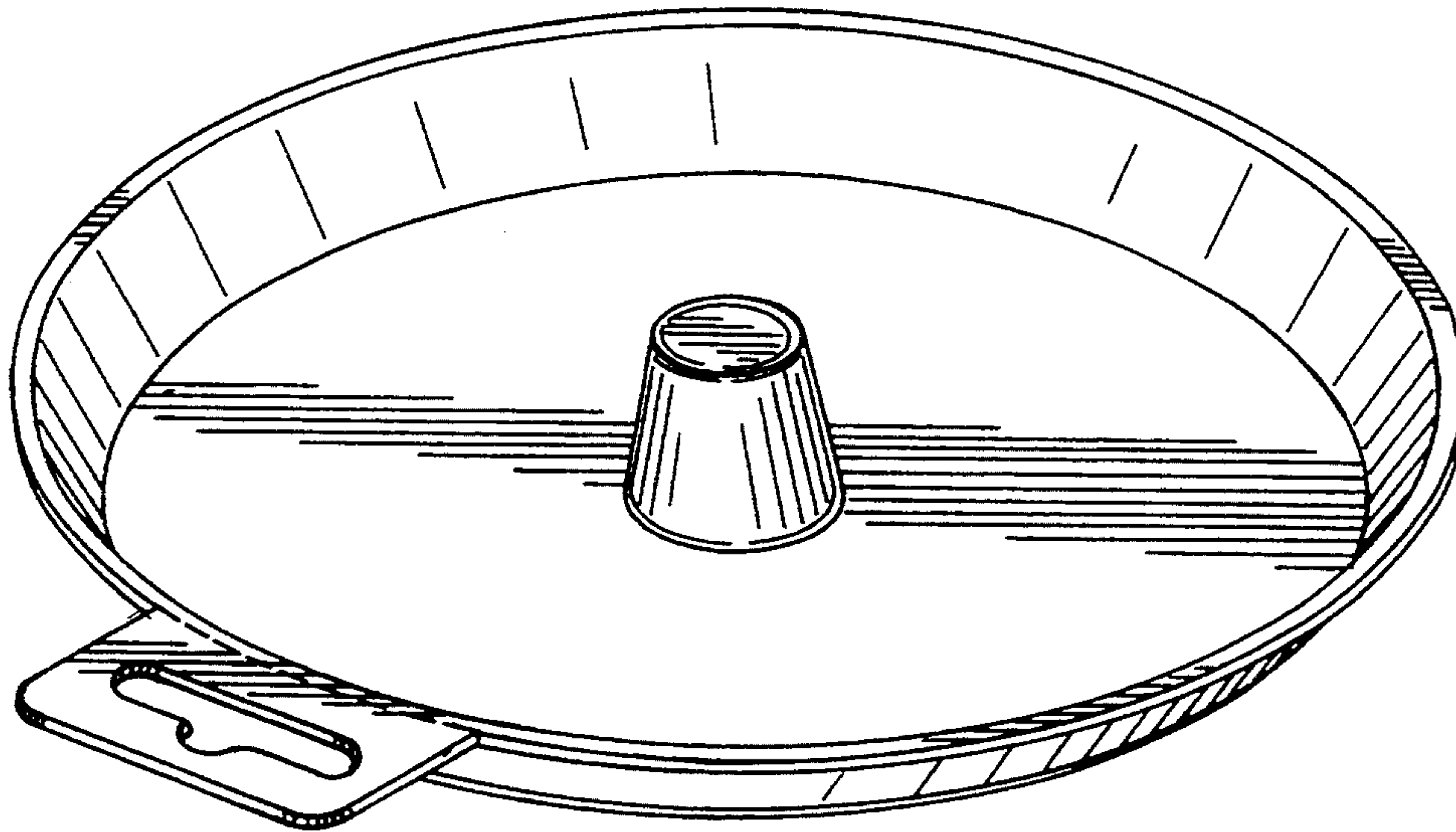


FIG. 1

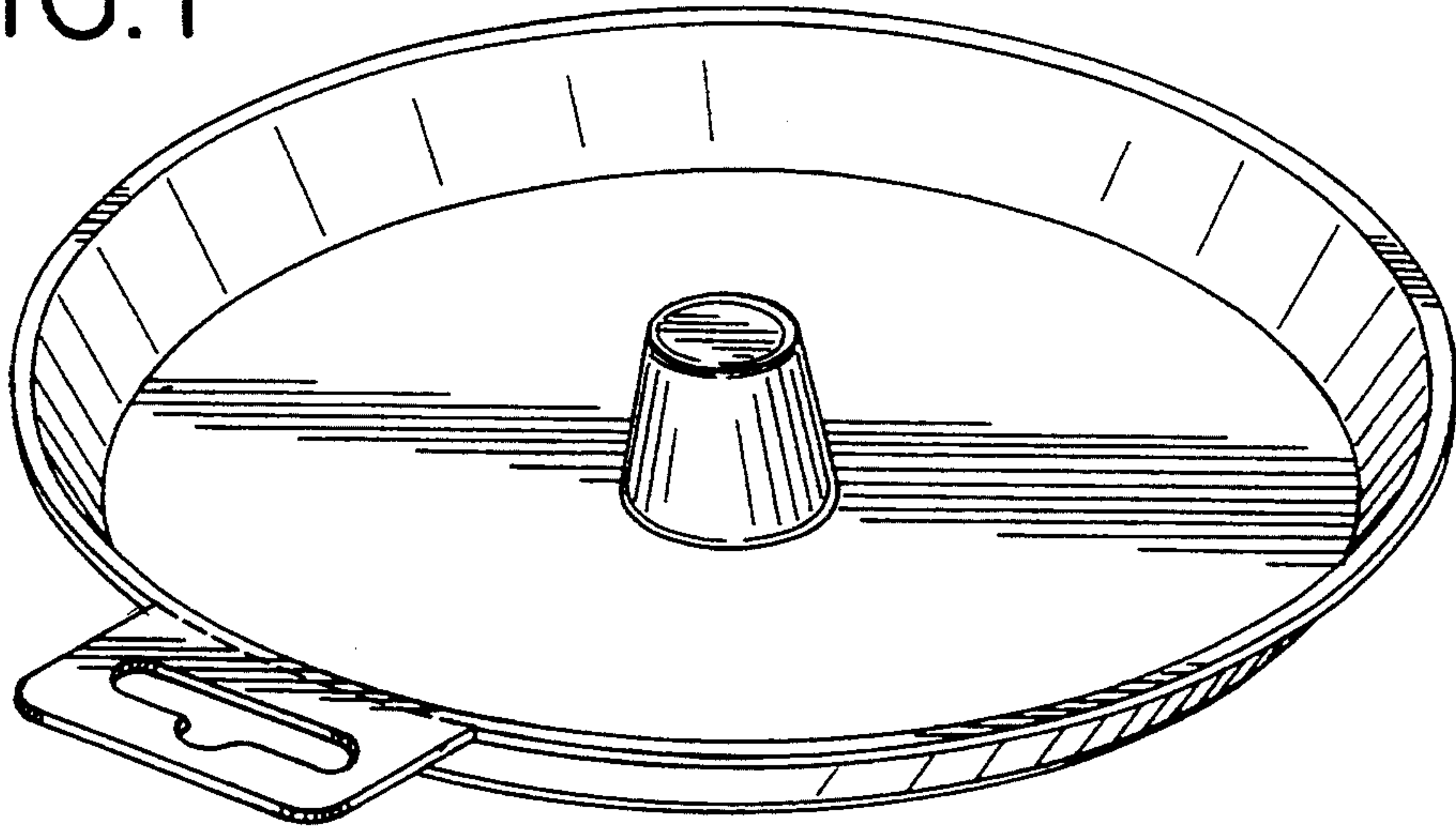


FIG. 2

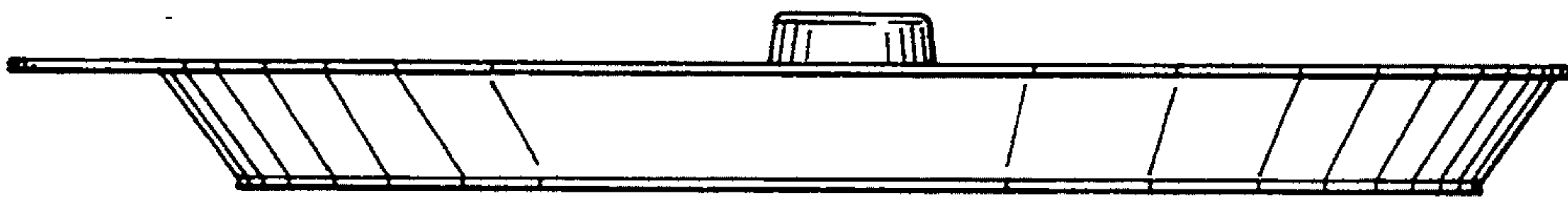


FIG. 3

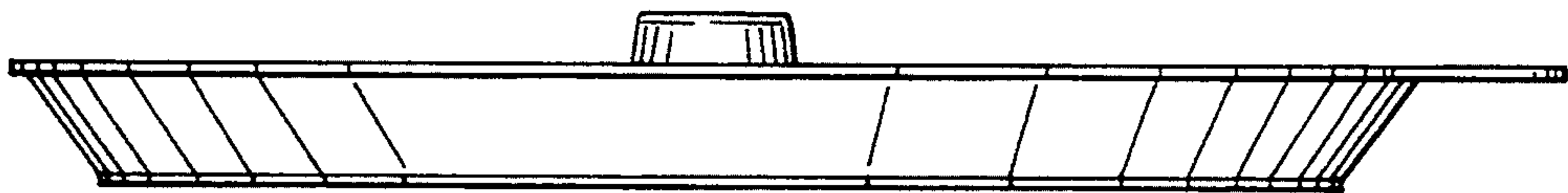


FIG. 4

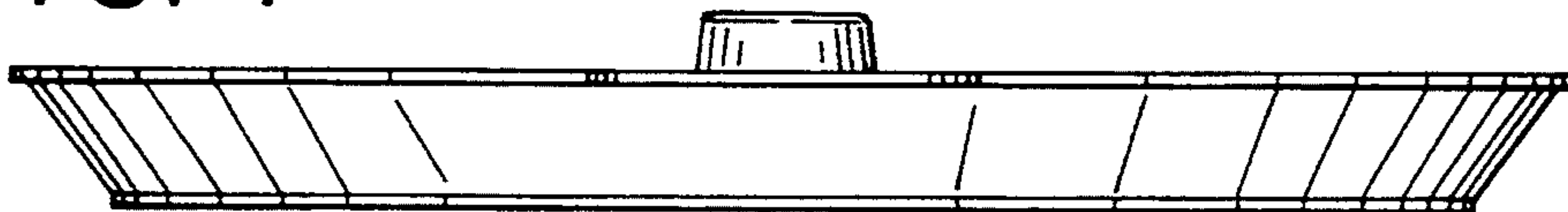


FIG. 5

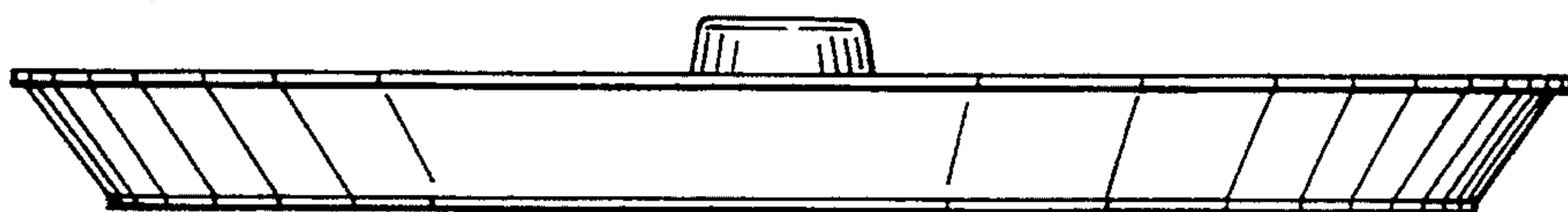


FIG. 7

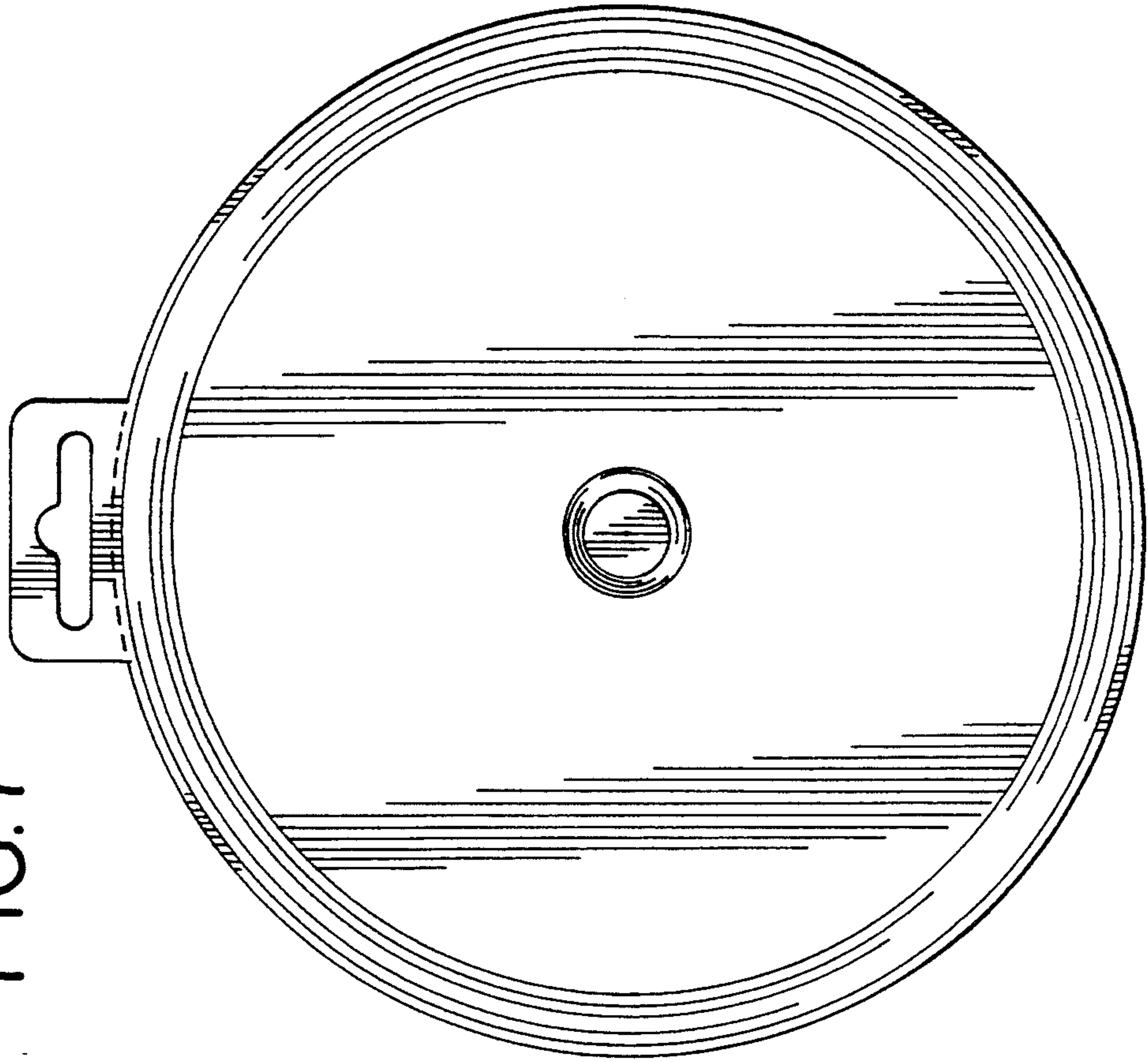


FIG. 6

