



US00D356031S

# United States Patent [19]

[11] Patent Number: **Des. 356,031**

**Bones**

[45] Date of Patent: **\*\* Mar. 7, 1995**

[54] **STORAGE BOX WITH CONCEALED COMPARTMENT**

|            |         |                 |       |          |
|------------|---------|-----------------|-------|----------|
| D. 23,308  | 2/1898  | Foutch          | ..... | D9/326 X |
| D. 304,008 | 10/1989 | Hornung         | ..... | D9/326 X |
| D. 344,455 | 2/1994  | Kornberg et al. | ..... | D9/326   |
| 1,646,632  | 10/1927 | Spinner         | ..... | D9/326 X |

[75] Inventor: **Andrew B. Bones**, Cheltenham, England

*Primary Examiner*—Bernard Ansher  
*Assistant Examiner*—Mitchell I. Siegel  
*Attorney, Agent, or Firm*—Cushman Darby & Cushman

[73] Assignee: **Helix Limited**, Stourbridge, England

[\*\*] Term: **14 Years**

[57] **CLAIM**

[21] Appl. No.: **11,144**

The ornamental design for a storage box with concealed compartment, as shown and described.

[22] Filed: **Jul. 28, 1993**

[30] **Foreign Application Priority Data**

**DESCRIPTION**

Feb. 23, 1993 [GB] United Kingdom ..... 2029319

FIG. 1 is a front perspective view of a storage box with concealed compartment showing my new design;

[52] U.S. Cl. .... **D9/326**

FIG. 2 is a rear perspective thereof;

[58] Field of Search ..... D9/326, 337, 341; 206/538, 472, 457

FIG. 3 is a perspective view thereof, shown in an alternate position for clarity of illustration;

[56] **References Cited**

**U.S. PATENT DOCUMENTS**

FIG. 4 is a perspective view of FIG. 1, shown in an alternate position for clarity of illustration; and,

D. 16,254 9/1885 Sommer ..... D9/326

FIG. 5 is a perspective view of FIG. 1, shown in an alternate position for clarity of illustration.

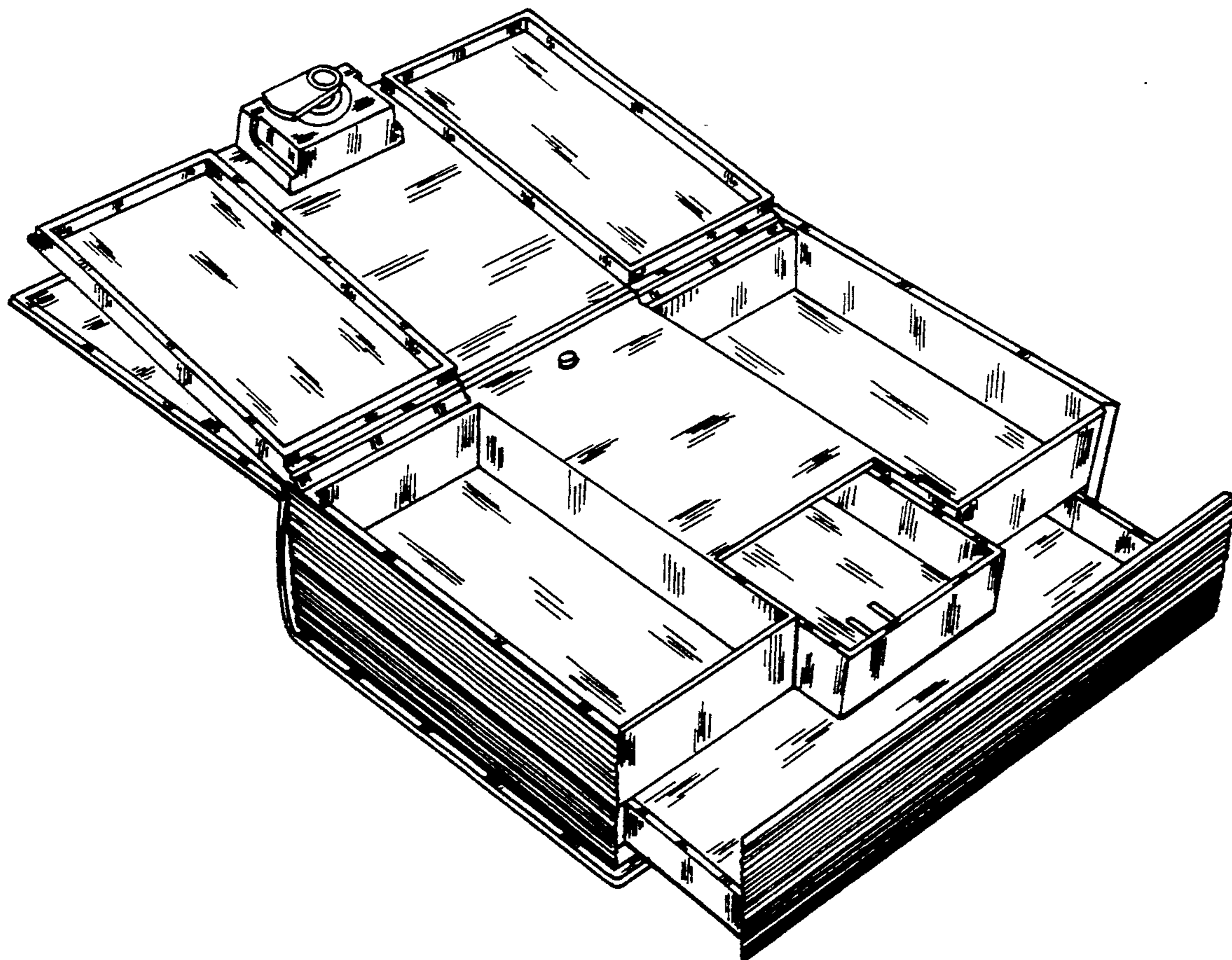


FIG. 1.

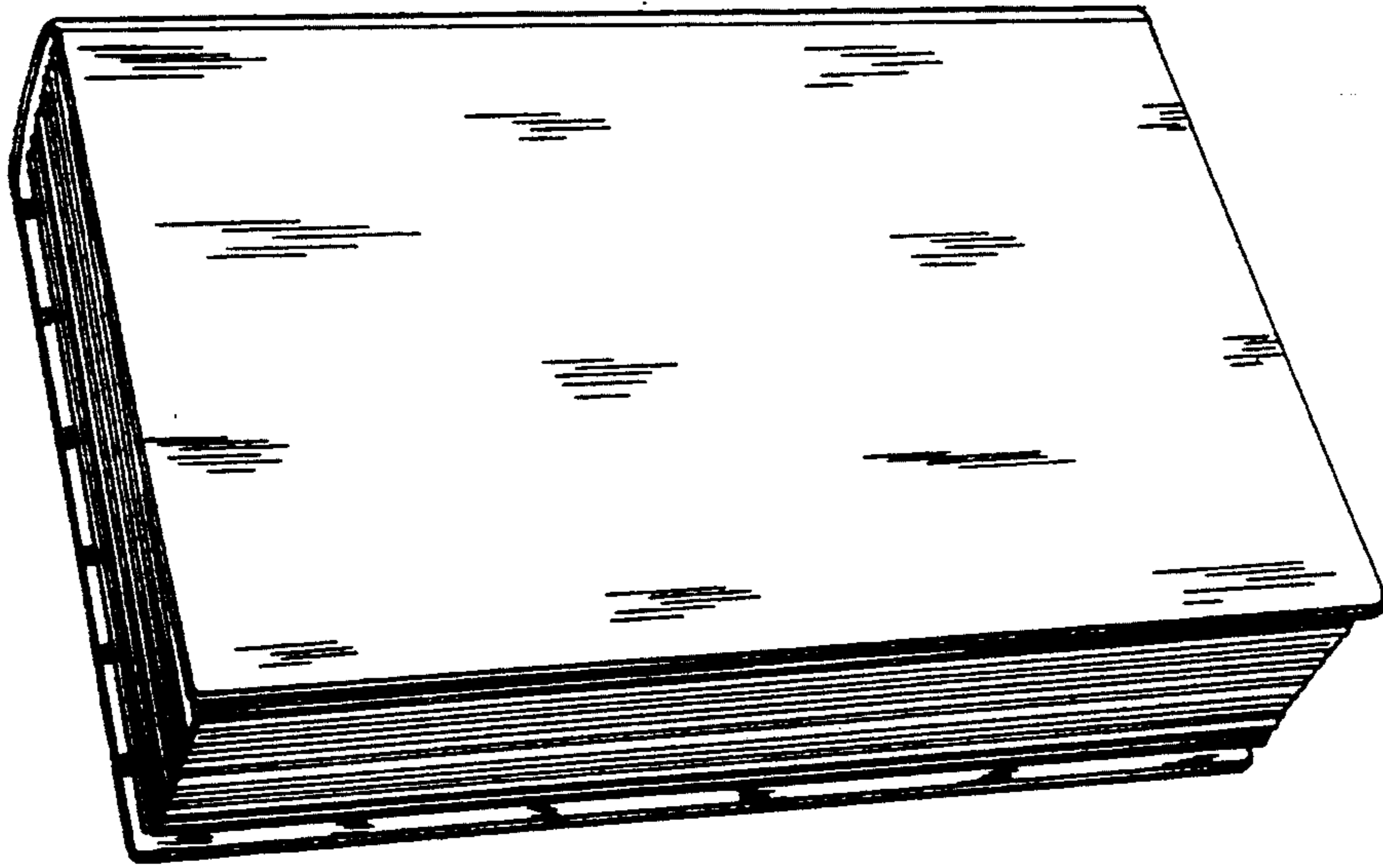


FIG. 2.

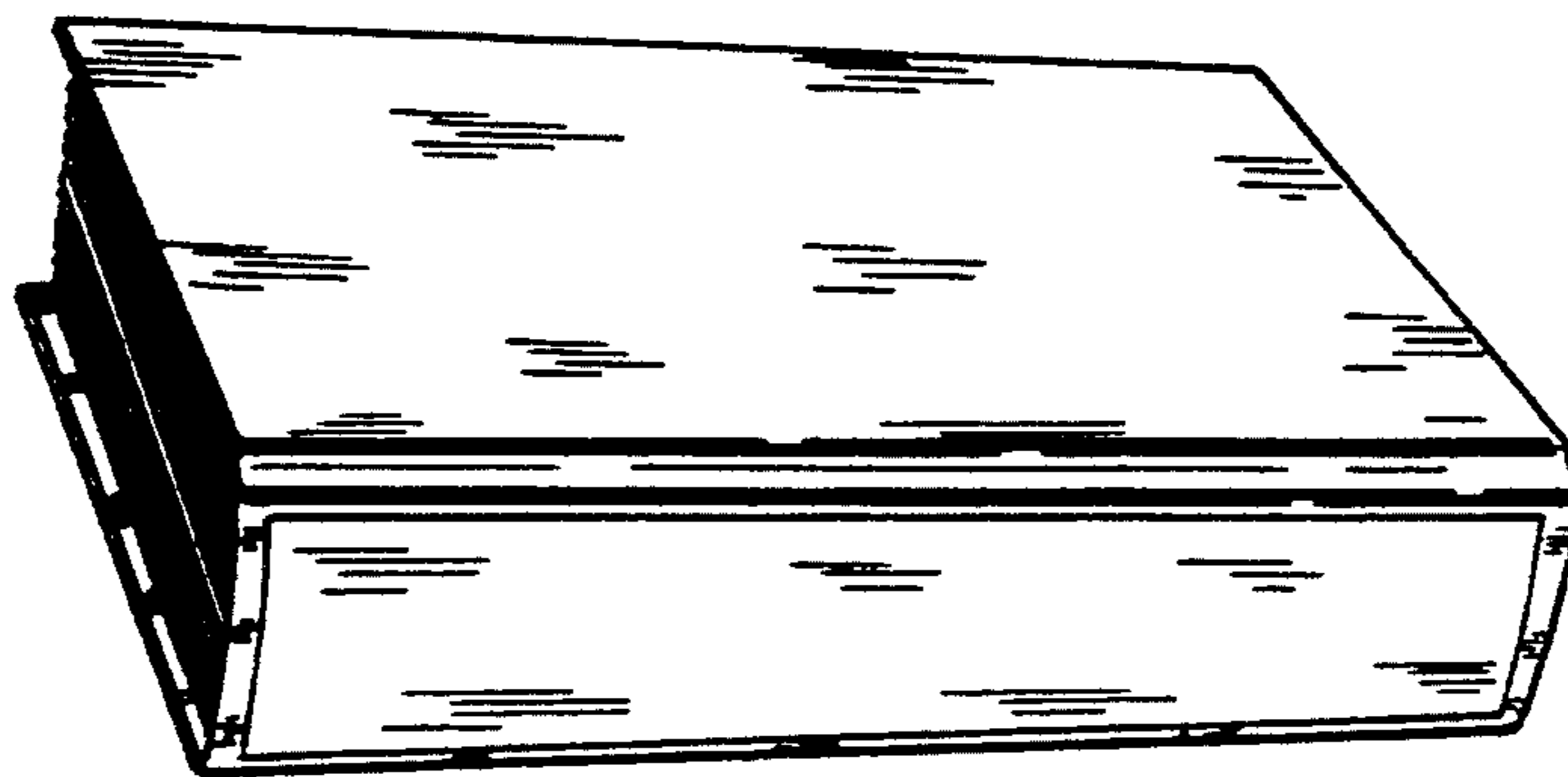




FIG. 3.

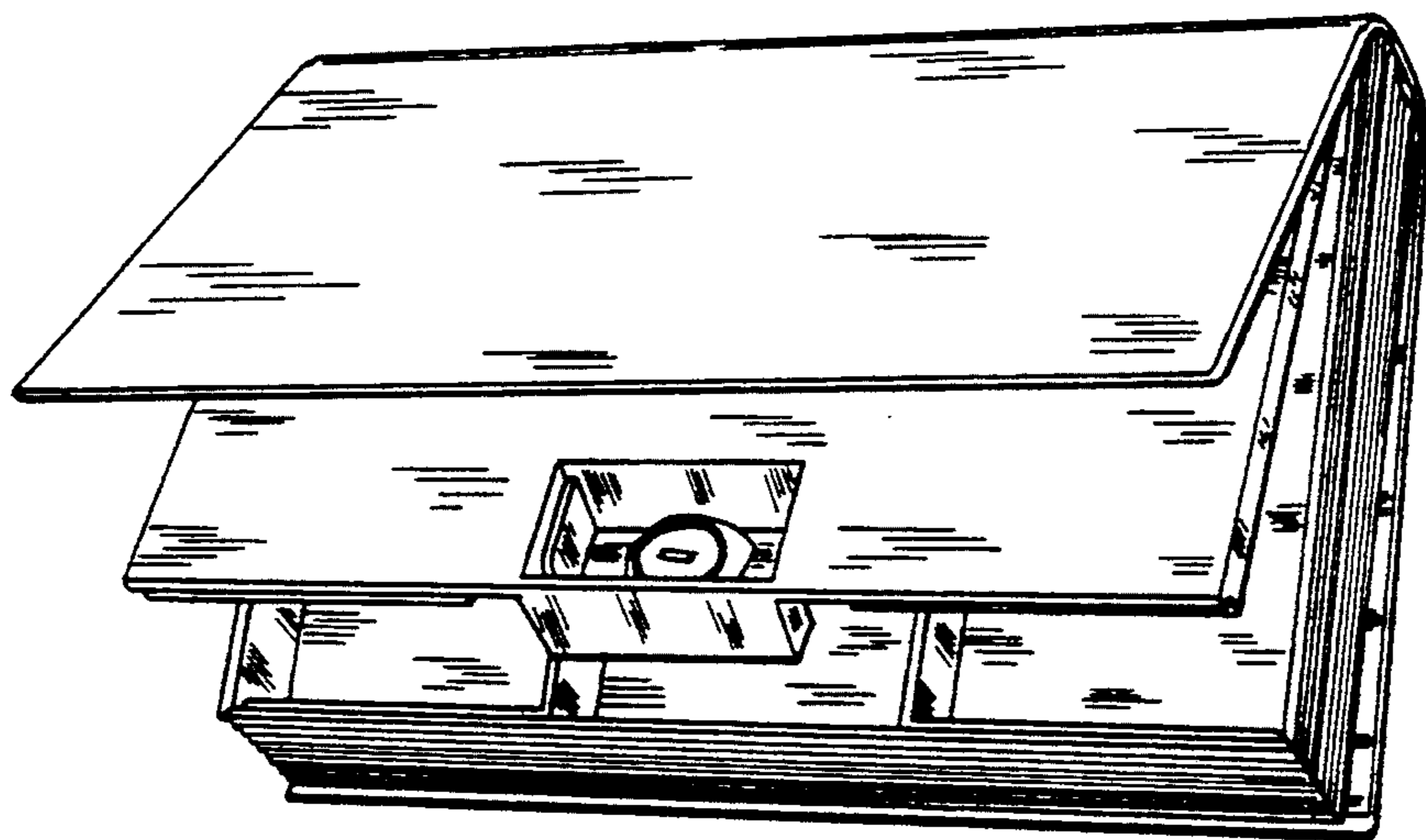


FIG. 4.

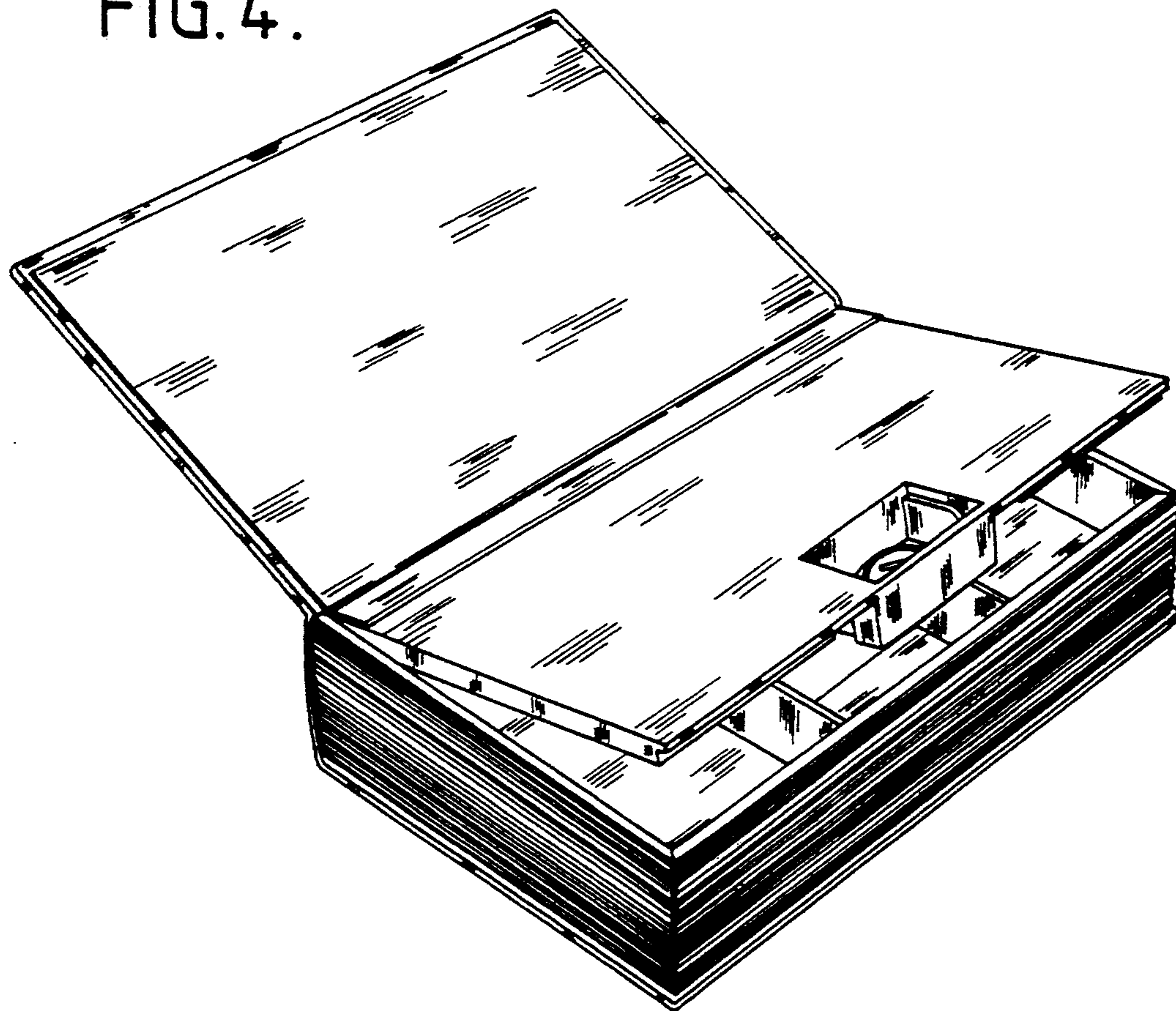


FIG. 5.

