



US00D356025S

United States Patent [19]

[11] Patent Number: **Des. 356,025**

Kuwata

[45] Date of Patent: **** Mar. 7, 1995**

[54] **SHELF JOINT**

4,864,795 9/1989 Burg 403/312
5,015,116 5/1991 Nardone et al. 403/205

[75] Inventor: **Yuji Kuwata**, Shizuoka, Japan

Primary Examiner—B. J. Bullock
Attorney, Agent, or Firm—Eric P. Schellin

[73] Assignee: **Yazaki Industrial Chemical Co Ltd.**,
Shizuoka, Japan

[*] Notice: The portion of the term of this patent
subsequent to Feb. 21, 2009 has been
disclaimed.

[57] **CLAIM**

The ornamental design for a shelf joint, as shown and
described.

[**] Term: **14 Years**

DESCRIPTION

[21] Appl. No.: **954,073**

FIG. 1 is a front elevational view of a shelf joint show-
ing my new design;

[22] Filed: **Sep. 30, 1992**

FIG. 2 is a rear elevational view;

[52] U.S. Cl. **D8/382**

FIG. 3 is a top plan view;

[58] **Field of Search** D8/382, 396; D21/108;
403/169, 170, 217-219, 286, 300, 305, 306, 309,
310, 312, 313, 405.1, 205

FIG. 4 is a bottom plan view;

FIG. 5 is a left side elevational view;

FIG. 6 is a right side elevational view;

[56] **References Cited**

U.S. PATENT DOCUMENTS

D. 275,075	8/1984	Magnér	D8/382
D. 311,680	10/1990	Miall	D8/382
2,001,215	5/1935	Ruppel	403/306
2,839,320	6/1958	Hill	D8/382
3,502,357	3/1970	Wagner	403/205

FIG. 7 is a sectional view taken in the direction of the
arrows on line 7—7 of FIG. 5;

FIG. 8 is a top, front and right side perspective view;

FIG. 9 is an exploded top, front, and right side perspec-
tive view; and,

FIG. 10 is a reduced perspective view, the broken line
showing of the pipes, and additional joints being for
illustrative purposes only.

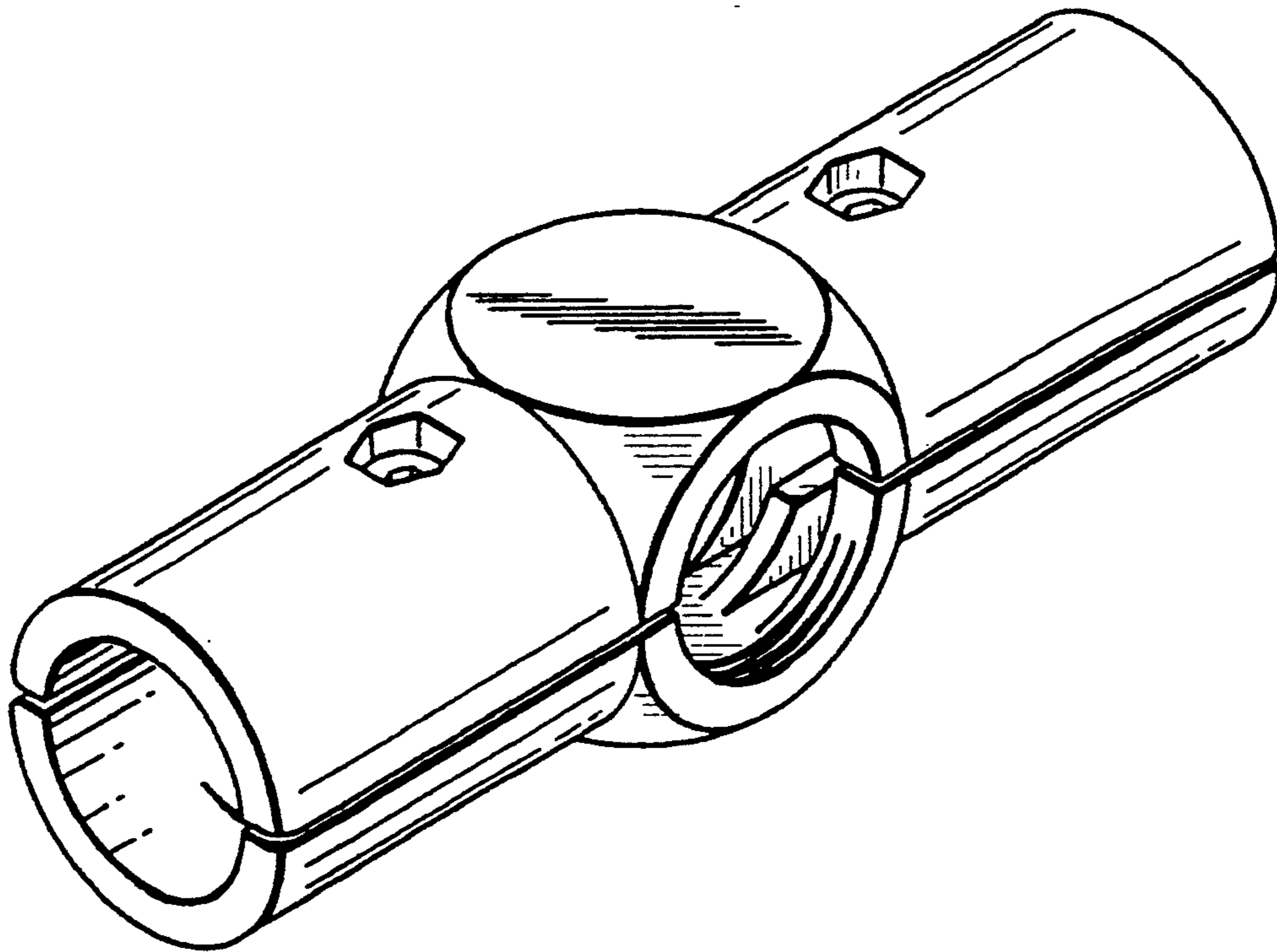


FIG. 1

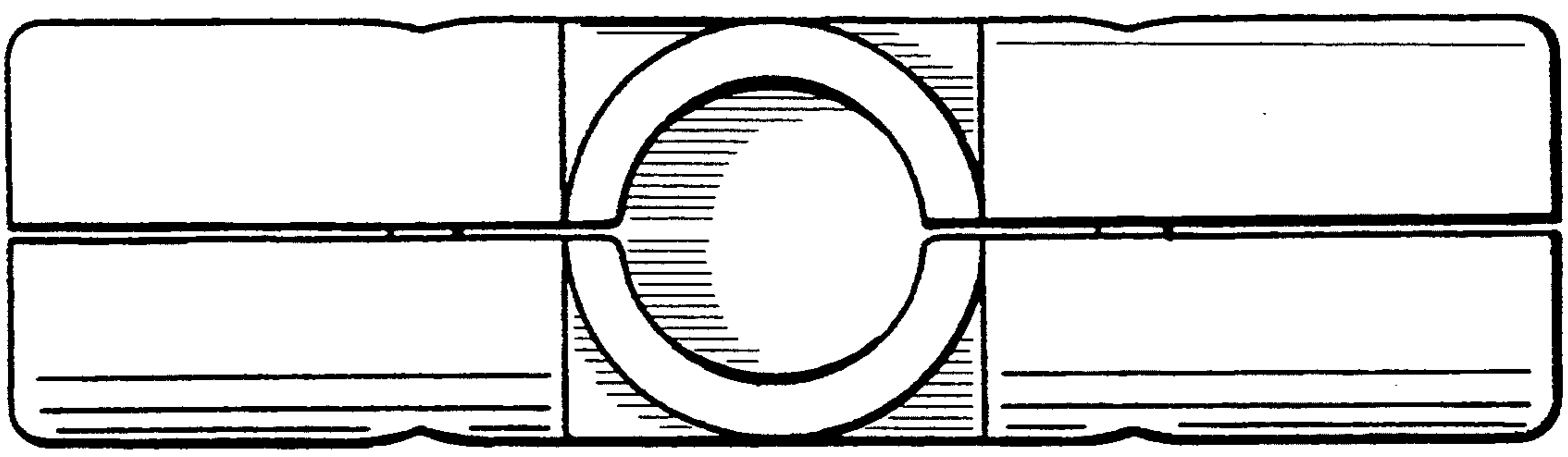


FIG. 2

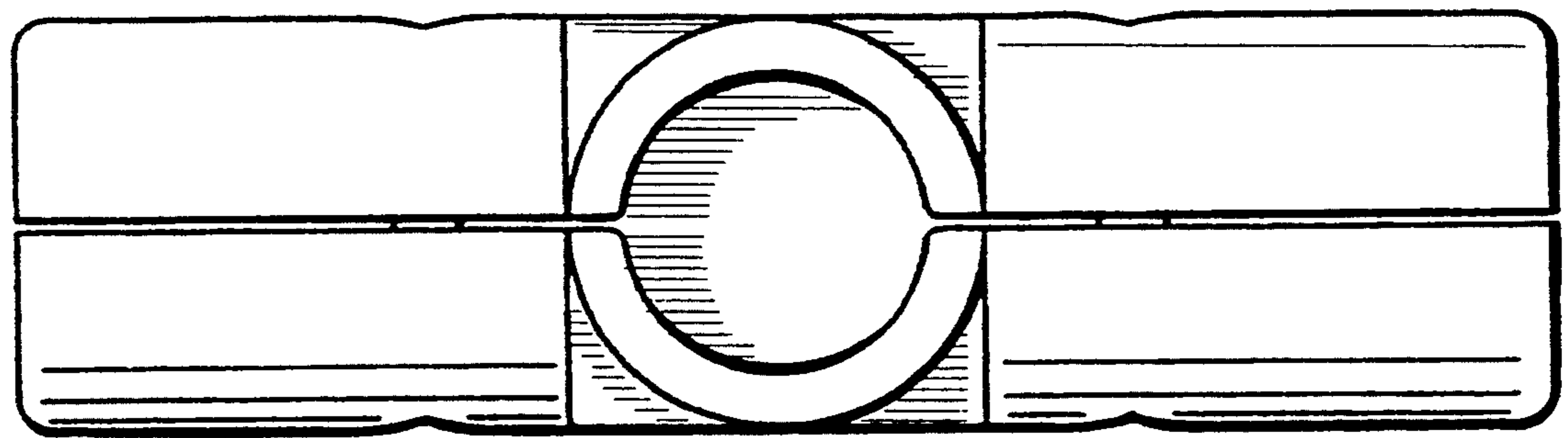


FIG. 3

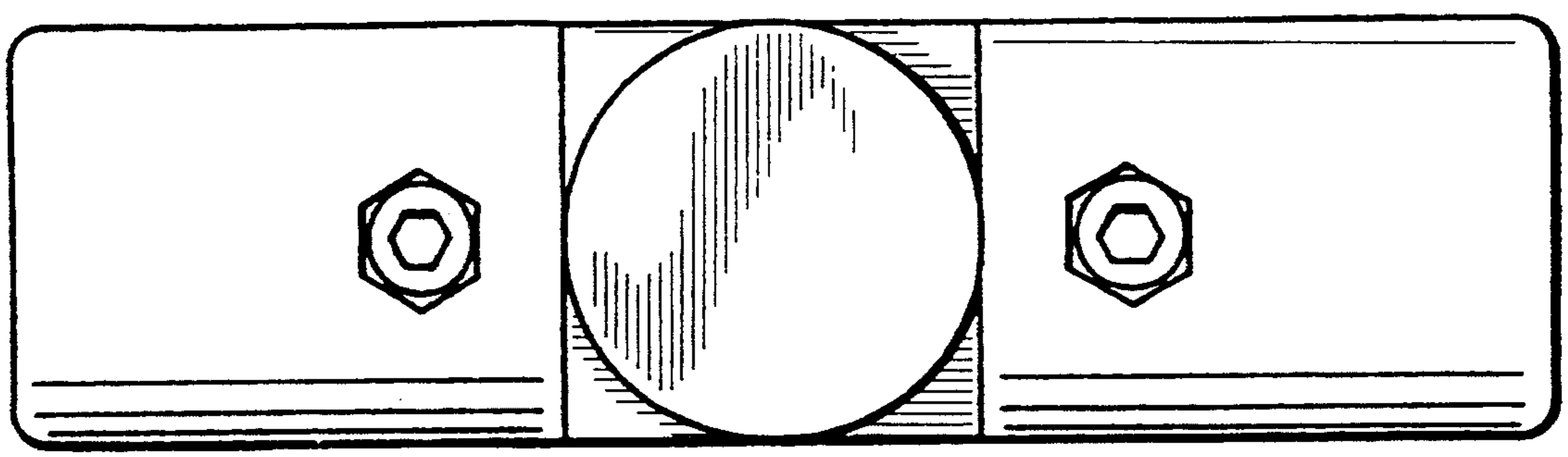


FIG. 4

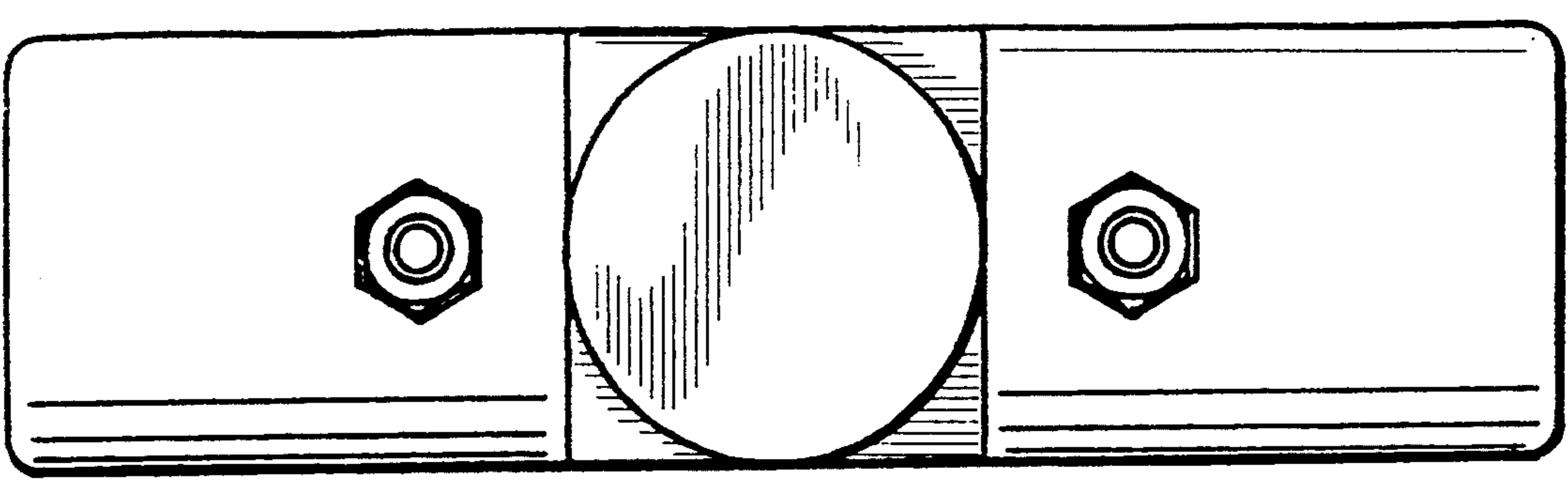


FIG. 5

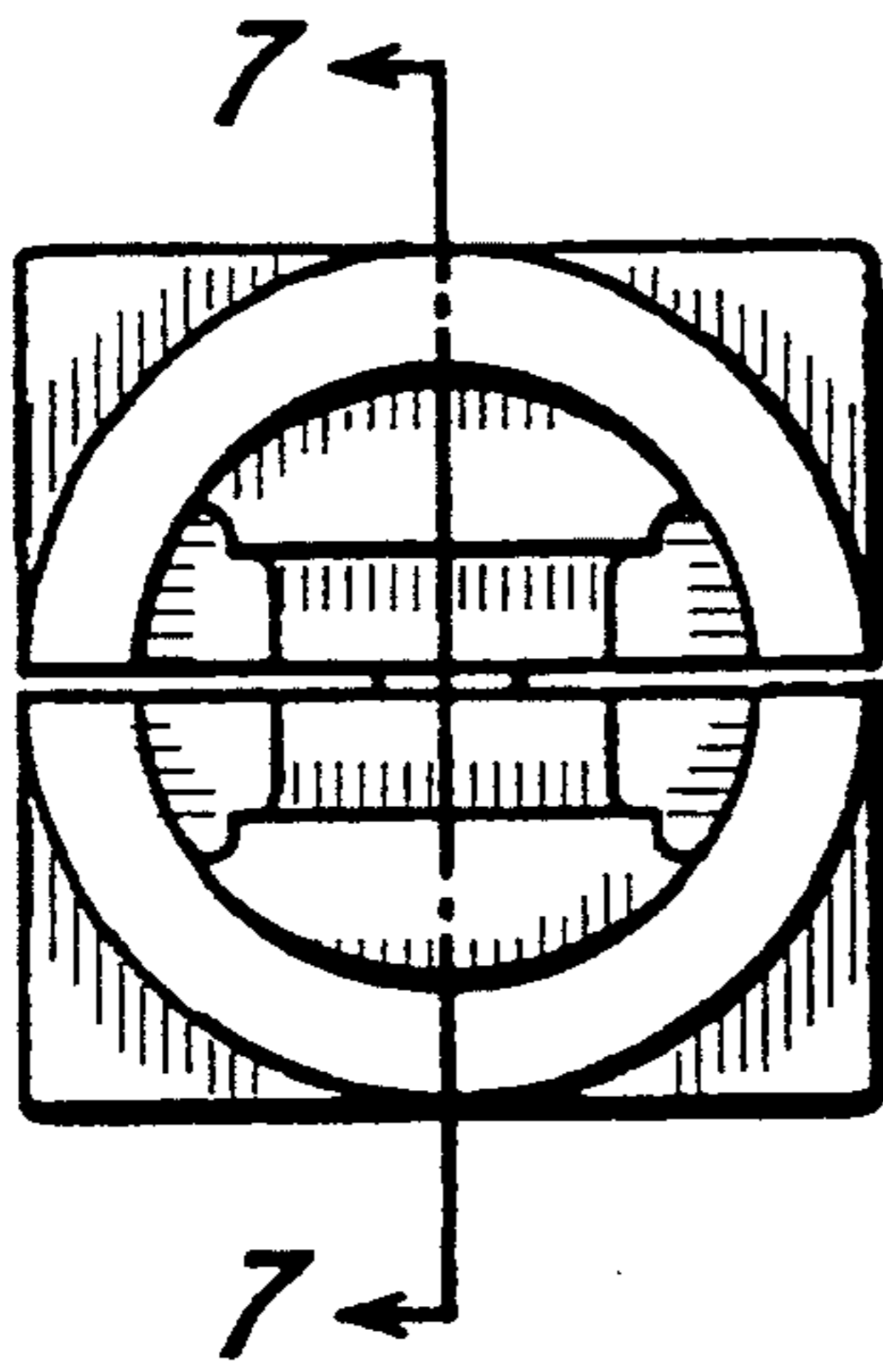


FIG. 6

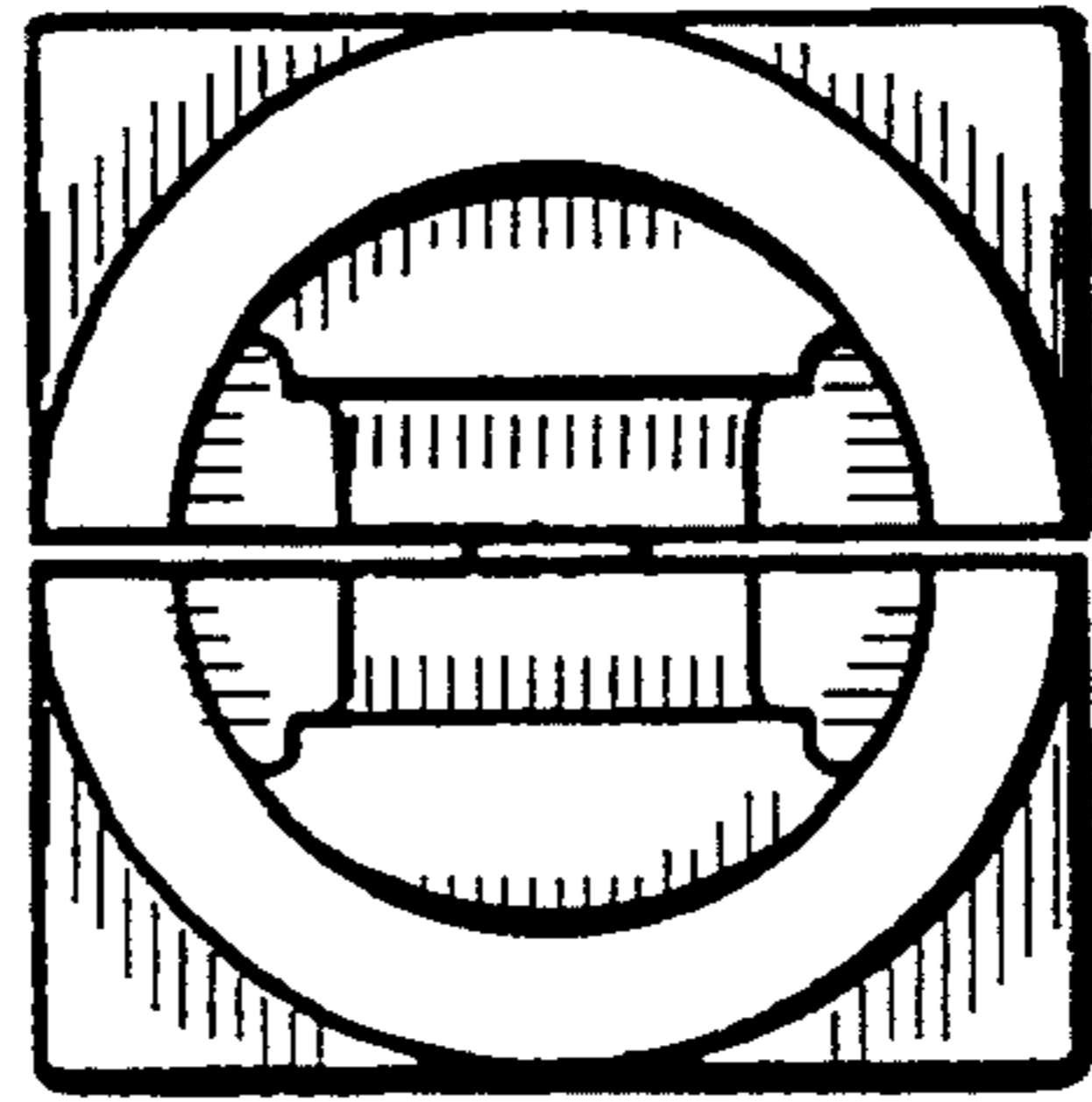


FIG. 7

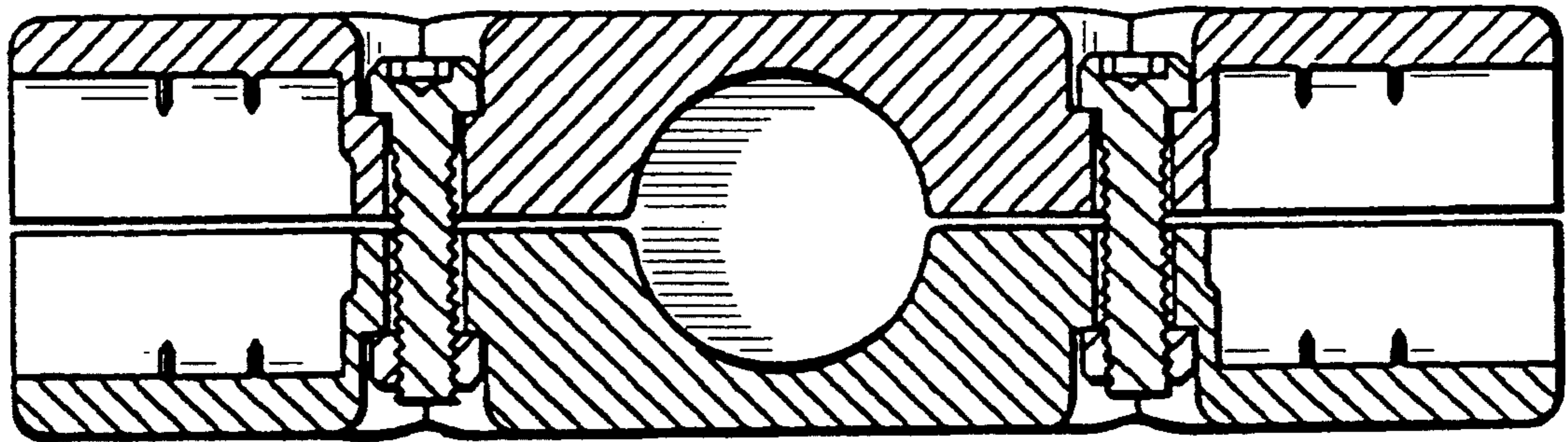


FIG. 8

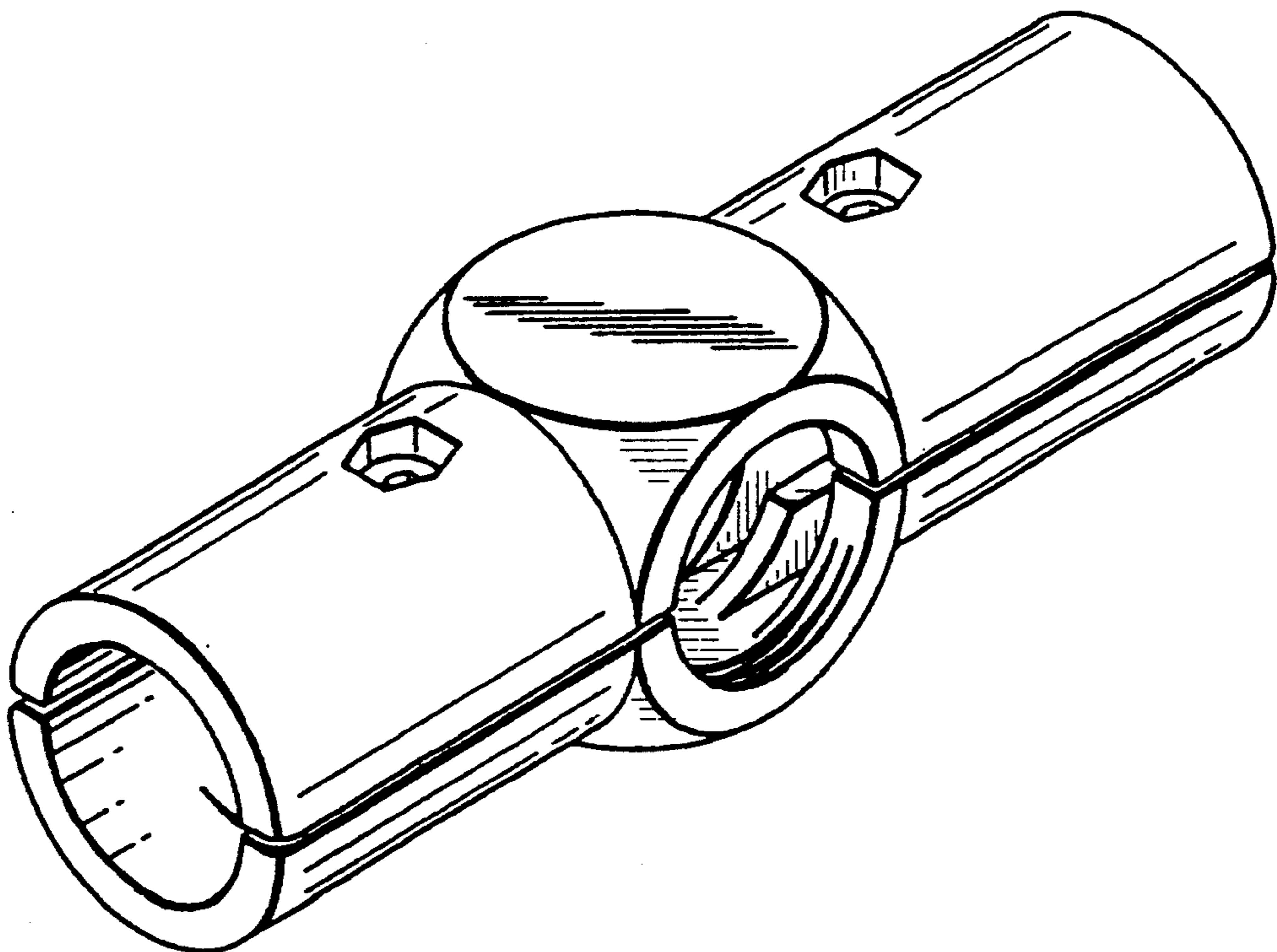


FIG. 9

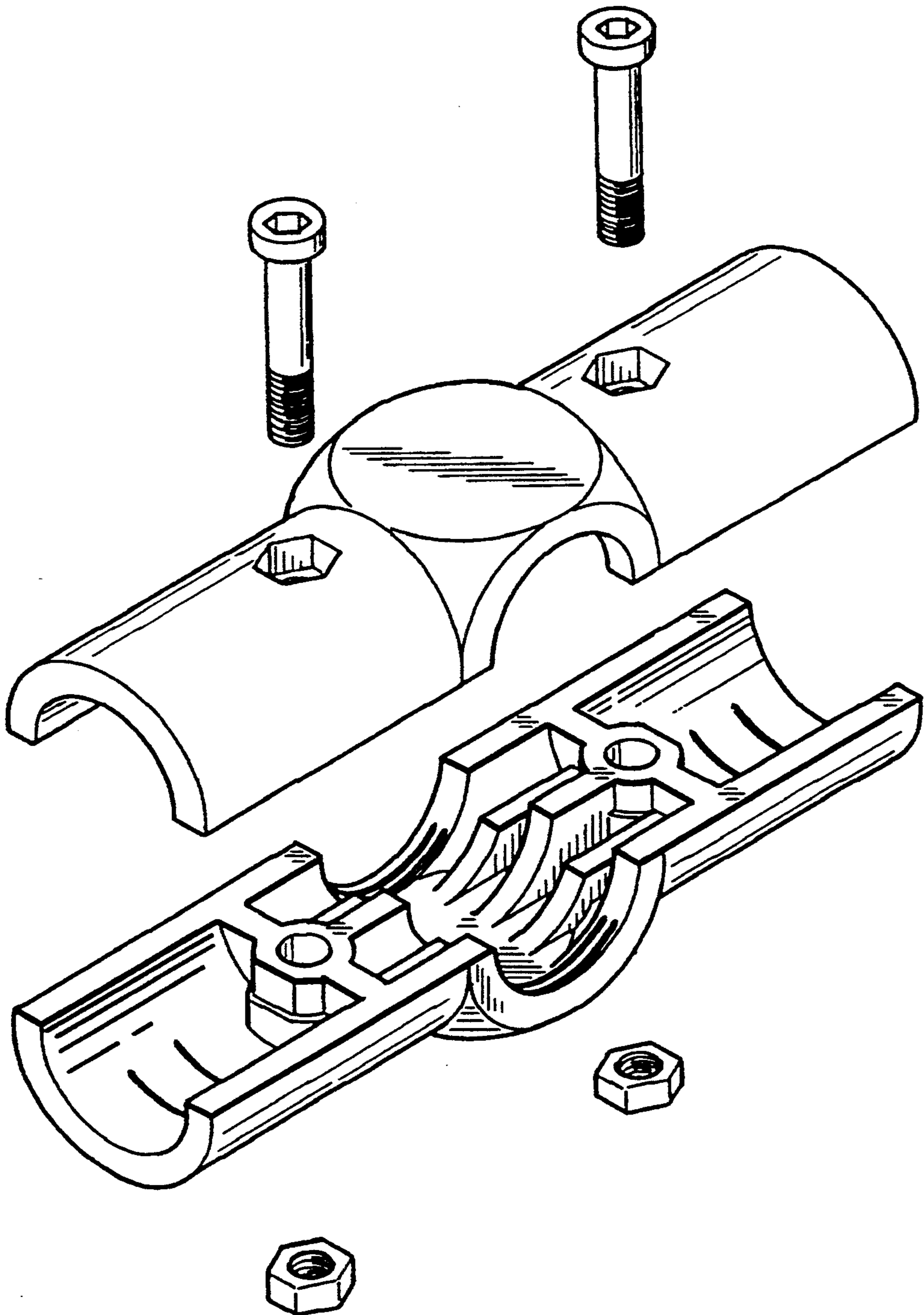


FIG. 10

