



US00D356022S

United States Patent [19]

[11] Patent Number: **Des. 356,022**

Kostos et al.

[45] Date of Patent: **** Mar. 7, 1995**

[54] **TOILET SEAT LIFTING HANDLE**

[76] Inventors: **Jeffrey T. Kostos**, 5541 Carpenter St., Downers Grove, Ill. 60516; **George Romas**, 243 May Ct., Chicago Heights, Ill. 60411

3,783,455	1/1974	Vanderbrook	4/237
3,935,601	2/1976	Hermann	4/251
4,574,401	3/1986	Nakajima .	
4,843,656	7/1989	Forman	4/251
4,910,810	3/1990	Solomon	4/251
5,058,215	10/1991	Sims	4/251
5,086,523	2/1992	Mott et al.	4/251

[**] Term: **14 Years**

[21] Appl. No.: **7,572**

[22] Filed: **Apr. 27, 1993**

[52] U.S. Cl. **D8/307**

[58] Field of Search **D8/305, 307-309; D23/250-254; 4/246.1**

FOREIGN PATENT DOCUMENTS

108075	1/1039	Australia .
892232	6/1943	Germany .

Primary Examiner—James R. Largen
Attorney, Agent, or Firm—Philip H. Kier

[56] **References Cited**

U.S. PATENT DOCUMENTS

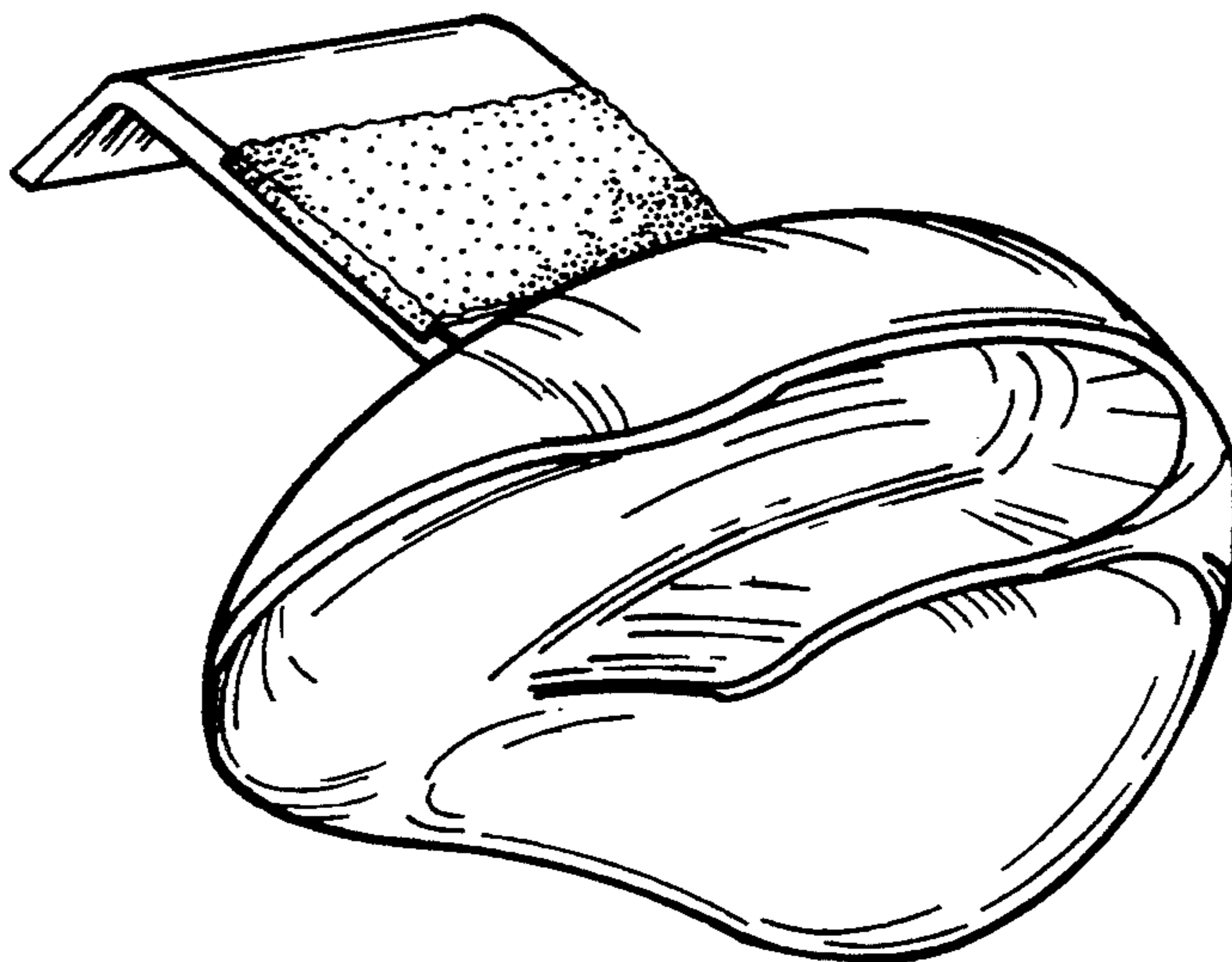
D. 180,044	4/1957	Truex	D8/307
D. 195,823	8/1963	Clayton	D8/307
D. 197,401	1/1964	Maffei	D8/308
D. 203,813	2/1966	Courson	D8/308
D. 245,095	7/1977	Murray	D8/307
D. 295,603	5/1988	Giallourakis	D8/307
1,999,555	4/1935	Adams	4/246.1
2,598,577	5/1952	Mattison	4/237
3,594,831	7/1971	Brewer	4/237
3,717,884	2/1973	Mantooth	4/237

[57] **CLAIM**

The ornamental design for a toilet seat lifting handle, as shown.

DESCRIPTION

FIG. 1 is a top plan view of a toilet seat lifting handle showing our new design; FIG. 2 is a front elevational view thereof; FIG. 3 is a left side elevational view thereof; FIG. 4 is a right side elevational view thereof; and, FIG. 5 is a perspective view taken from the top, front, and left side thereof.



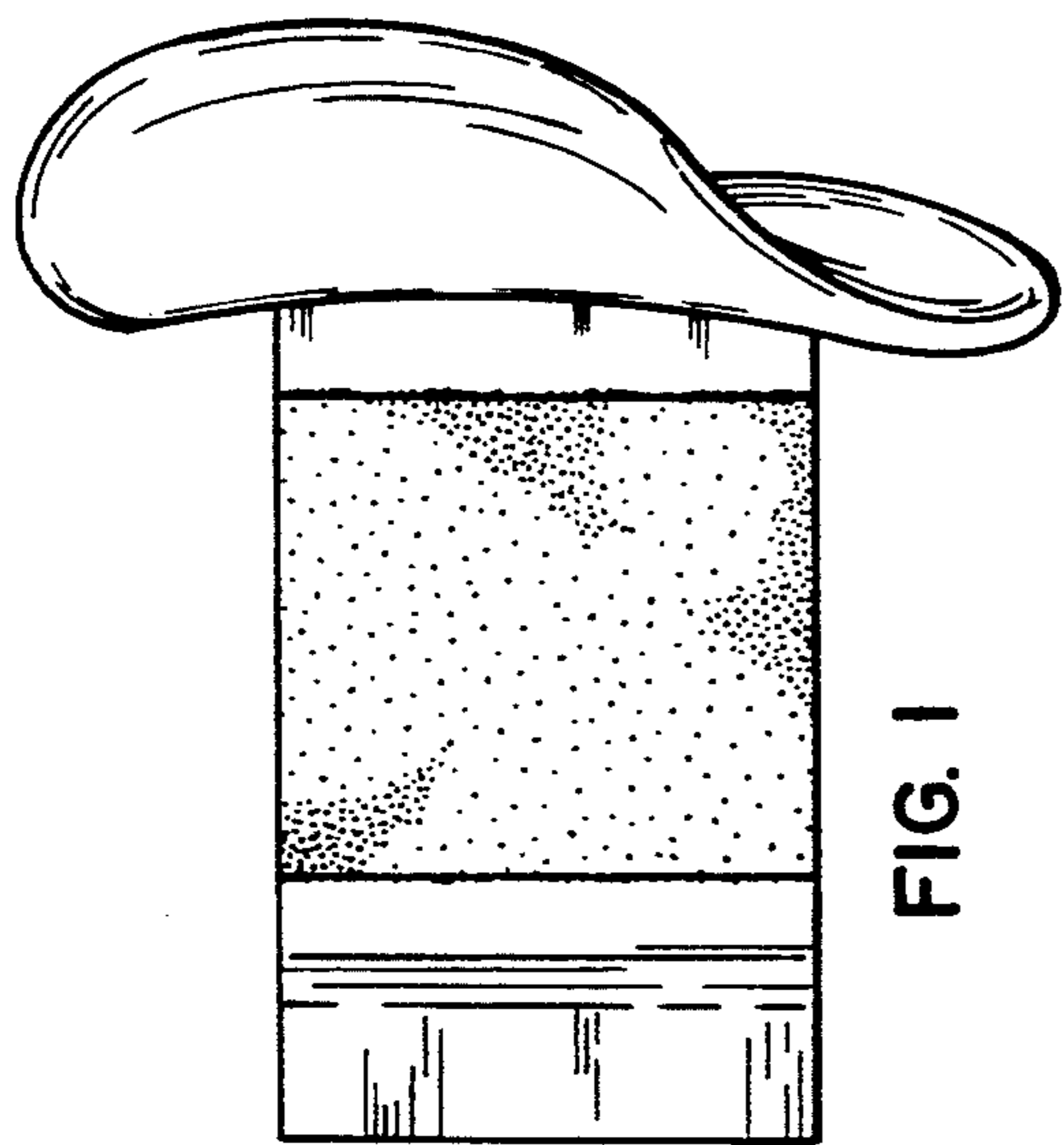


FIG. 1

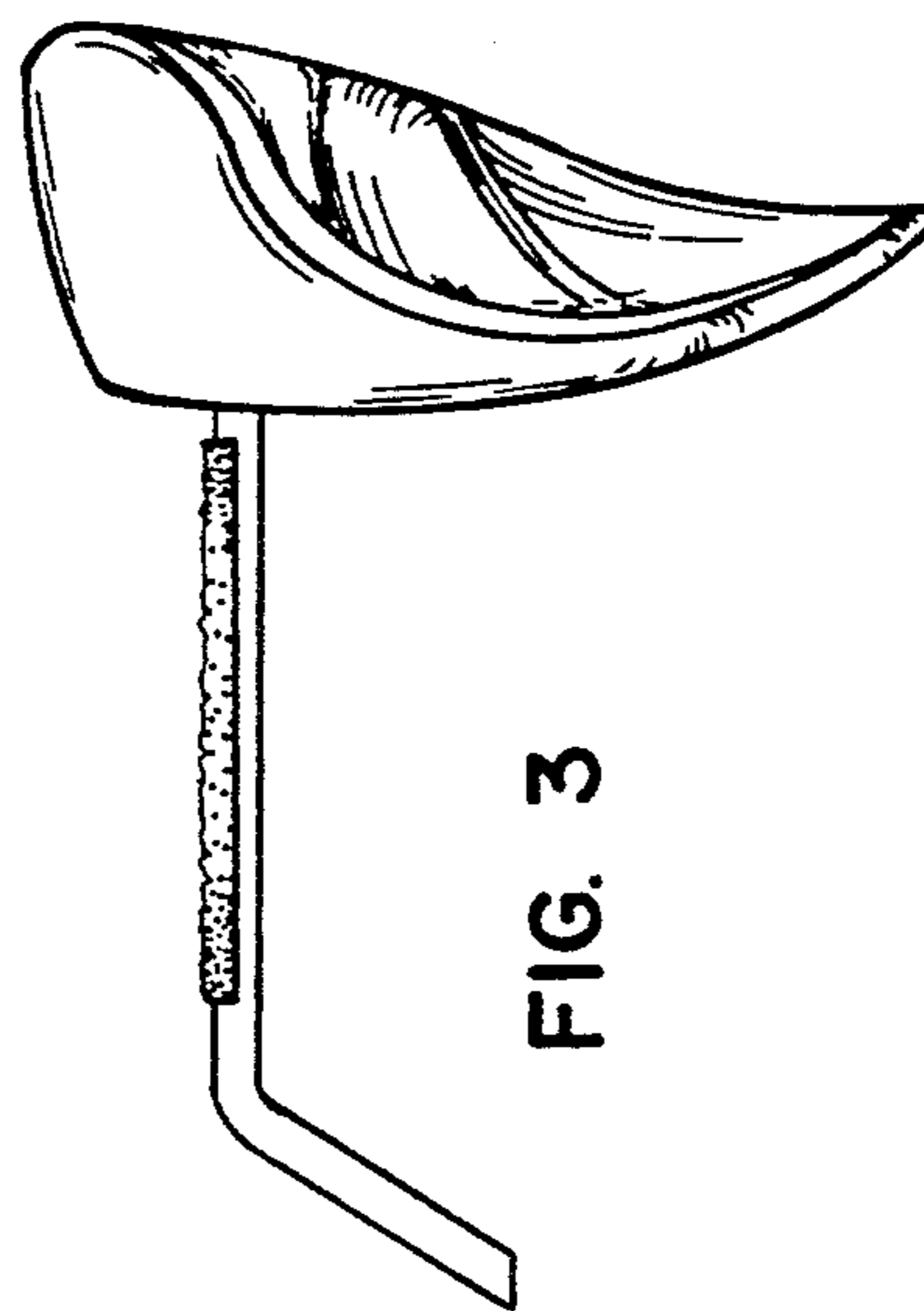


FIG. 3

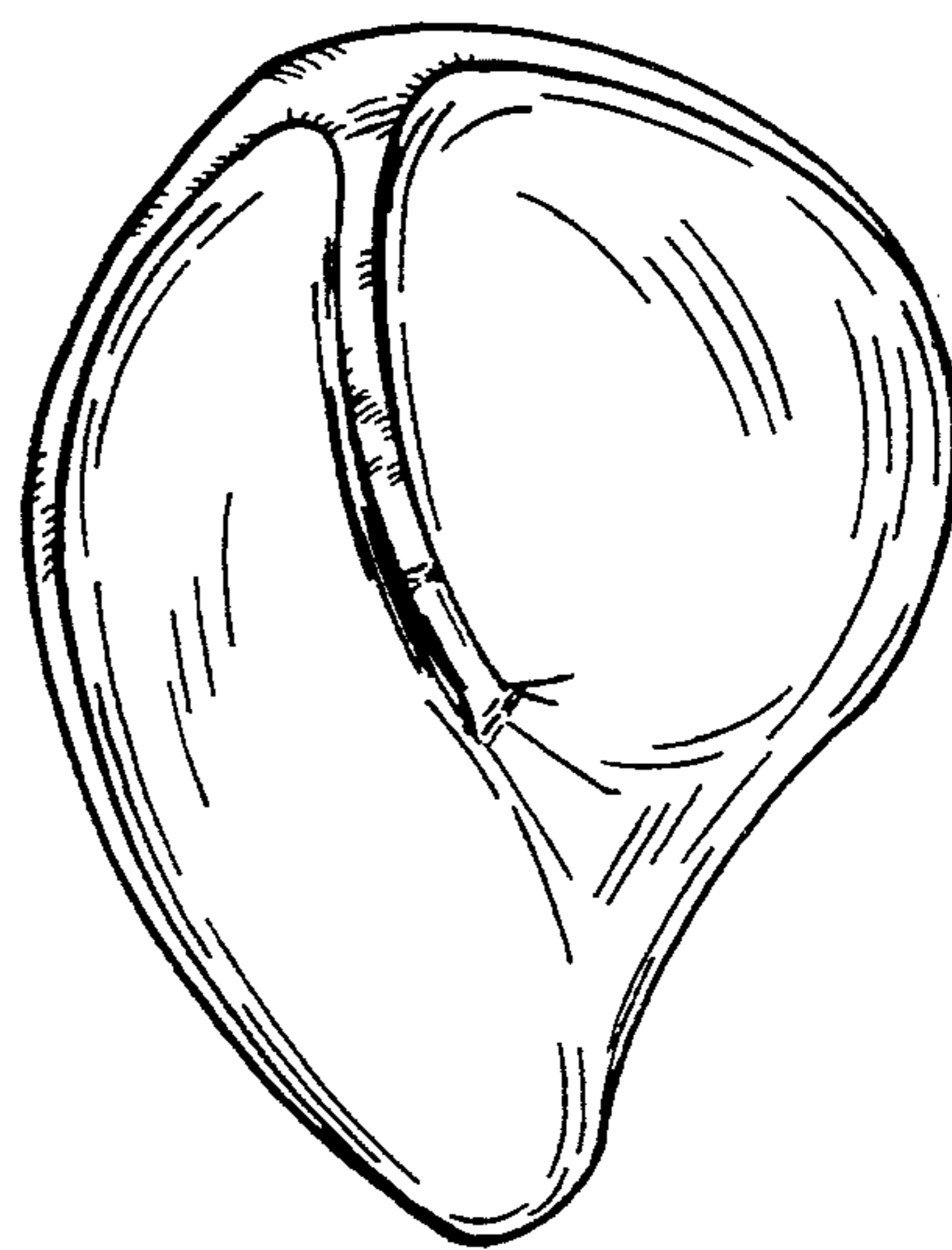


FIG. 2

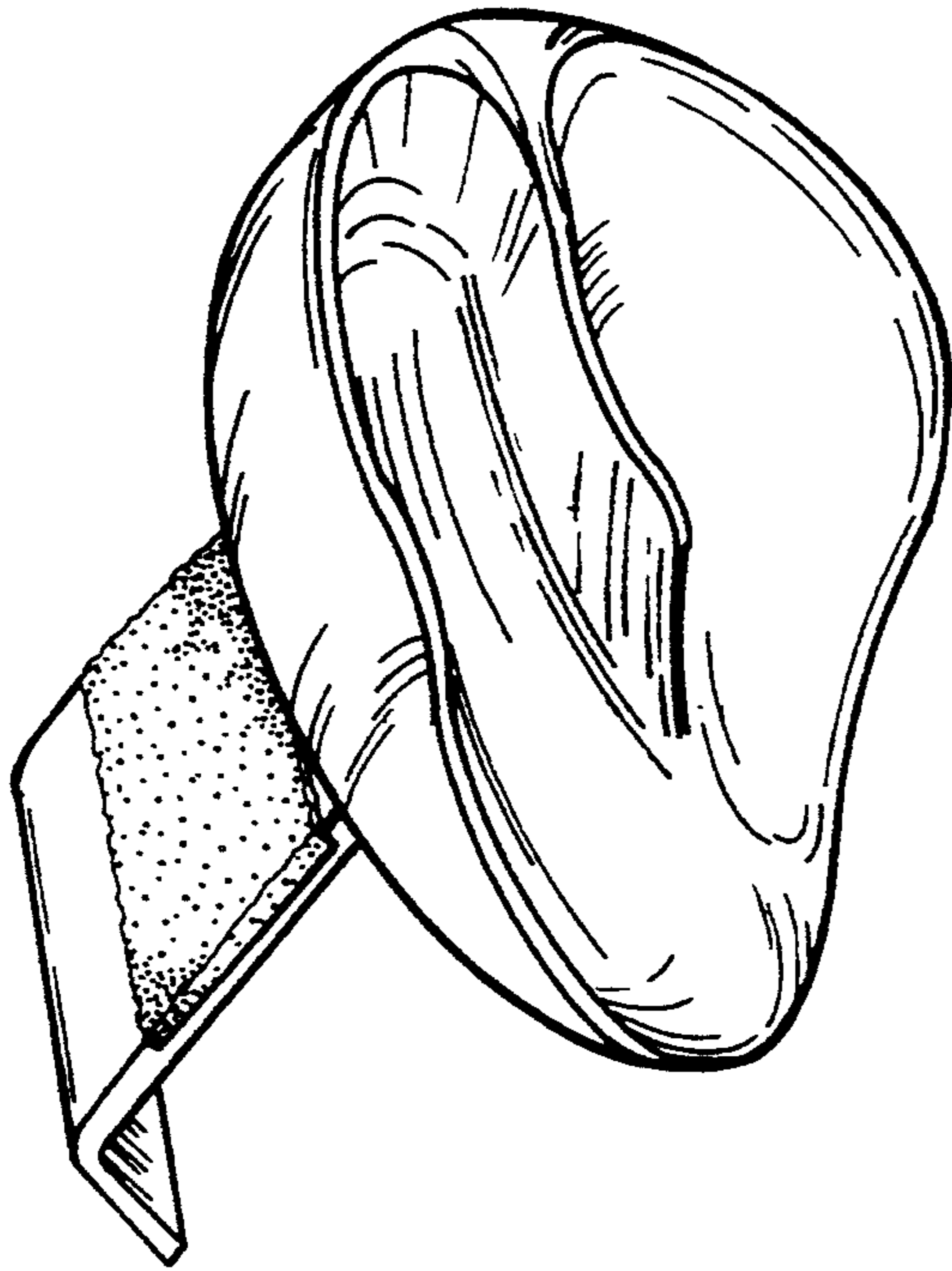


FIG. 5

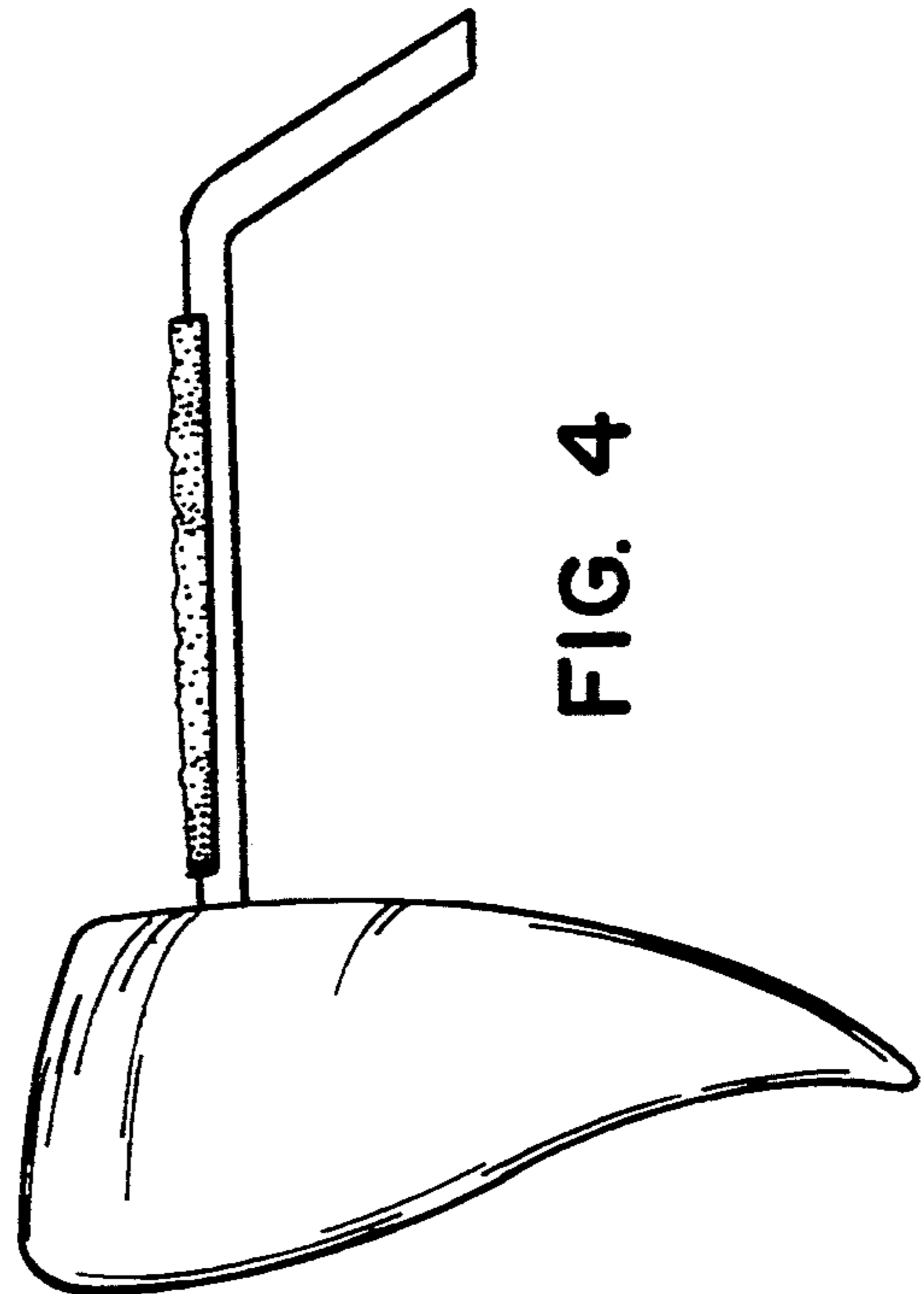


FIG. 4