



US00D356020S

United States Patent [19]

[11] Patent Number: **Des. 356,020**

Costa

[45] Date of Patent: **** Mar. 7, 1995**

[54] **MULTI-PURPOSE MOUNTAIN RESCUE TOOL**

[75] Inventor: **Jeffrey A. Costa**, Glendale, Ariz.

[73] Assignees: **Michael J. DeVita; Harry B. Campbell; Chad R. Martin**, Glendale, Ariz. ; part interest to each

[**] Term: **14 Years**

[21] Appl. No.: **14,230**

[22] Filed: **Oct. 15, 1993**

[52] U.S. Cl. **D8/105; D8/98; D8/76**

[58] Field of Search **D8/98, 14, 105, 76; D22/118; 7/145, 151, 148, 149, 158; 30/298**

[56] **References Cited**

U.S. PATENT DOCUMENTS

D. 152,727	2/1949	Peterson	D22/118
D. 153,776	5/1949	Eimmerman	D8/98
D. 235,841	7/1975	Cremonese	D8/98
D. 329,366	9/1992	Ragoonath	D8/105
1,455,621	5/1923	Joyner	30/298
2,576,869	11/1951	Woltemath	7/149
3,473,712	10/1969	Genchi	7/148

3,882,560	5/1975	Carrer	7/149
4,287,623	9/1981	Tarran	7/139
4,363,147	12/1982	Deweese	7/148
4,442,559	4/1984	Collins	7/158
4,546,510	10/1985	Harrison	D8/105
4,817,221	4/1989	Ryan	7/148
4,958,395	9/1990	Buskohl	7/148
5,067,190	11/1991	Gagnon	7/149
5,095,623	3/1992	Williams	7/148

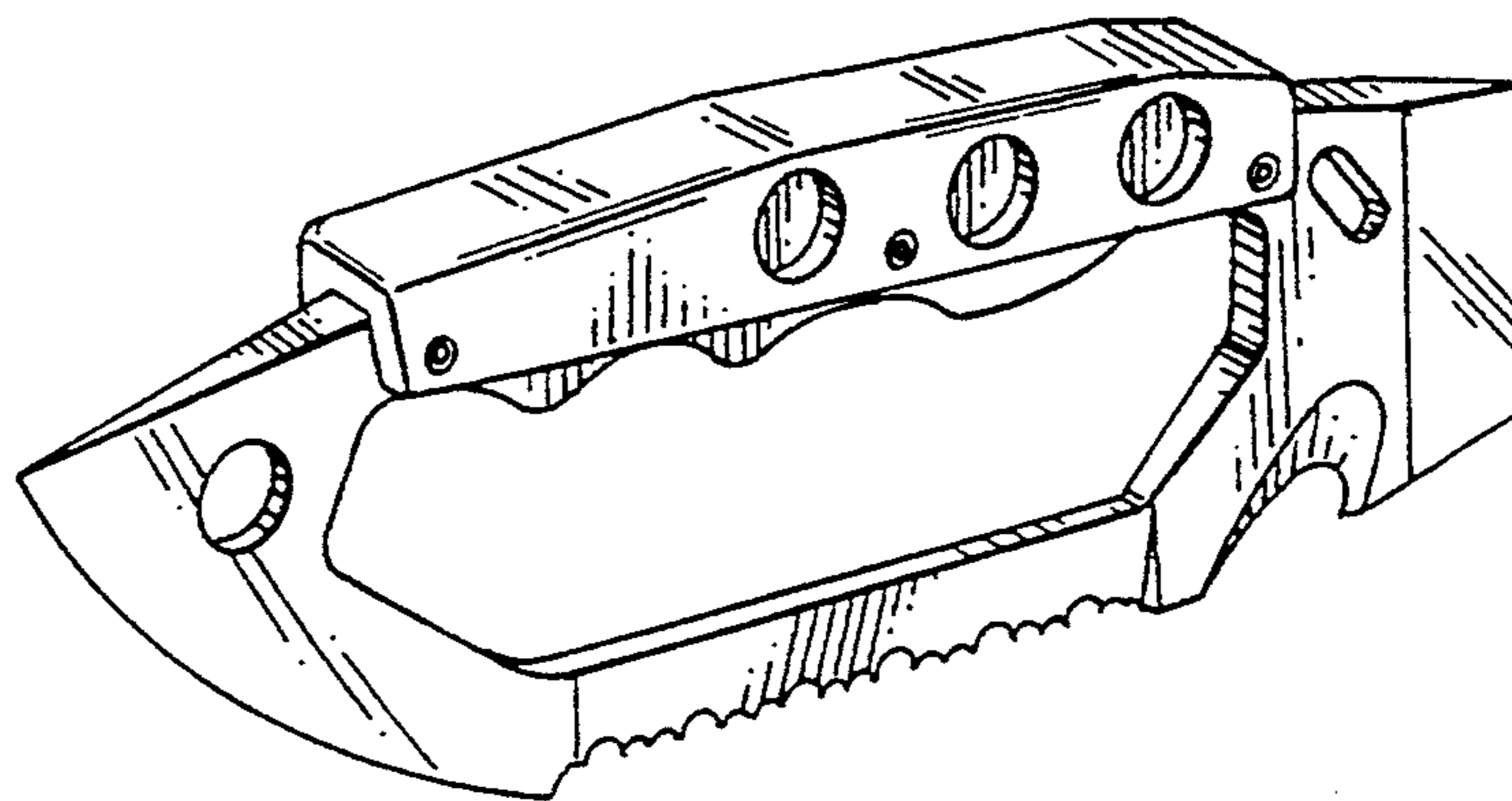
Primary Examiner—Bernard Ansher
Assistant Examiner—Philip Hyder
Attorney, Agent, or Firm—Laura J. Zeman

[57] **CLAIM**

The ornamental design for a multi-purpose mountain rescue tool, as shown.

DESCRIPTION

FIG. 1 is a perspective view of a multi-purpose mountain rescue tool showing my new design;
FIG. 2 is a top plan view thereof;
FIG. 3 is a side elevational view thereof, the opposite side view being a mirror image thereof;
FIG. 4 is a bottom plan view thereof;
FIG. 5 is a front elevational view thereof; and,
FIG. 6 is a rear elevational view thereof.



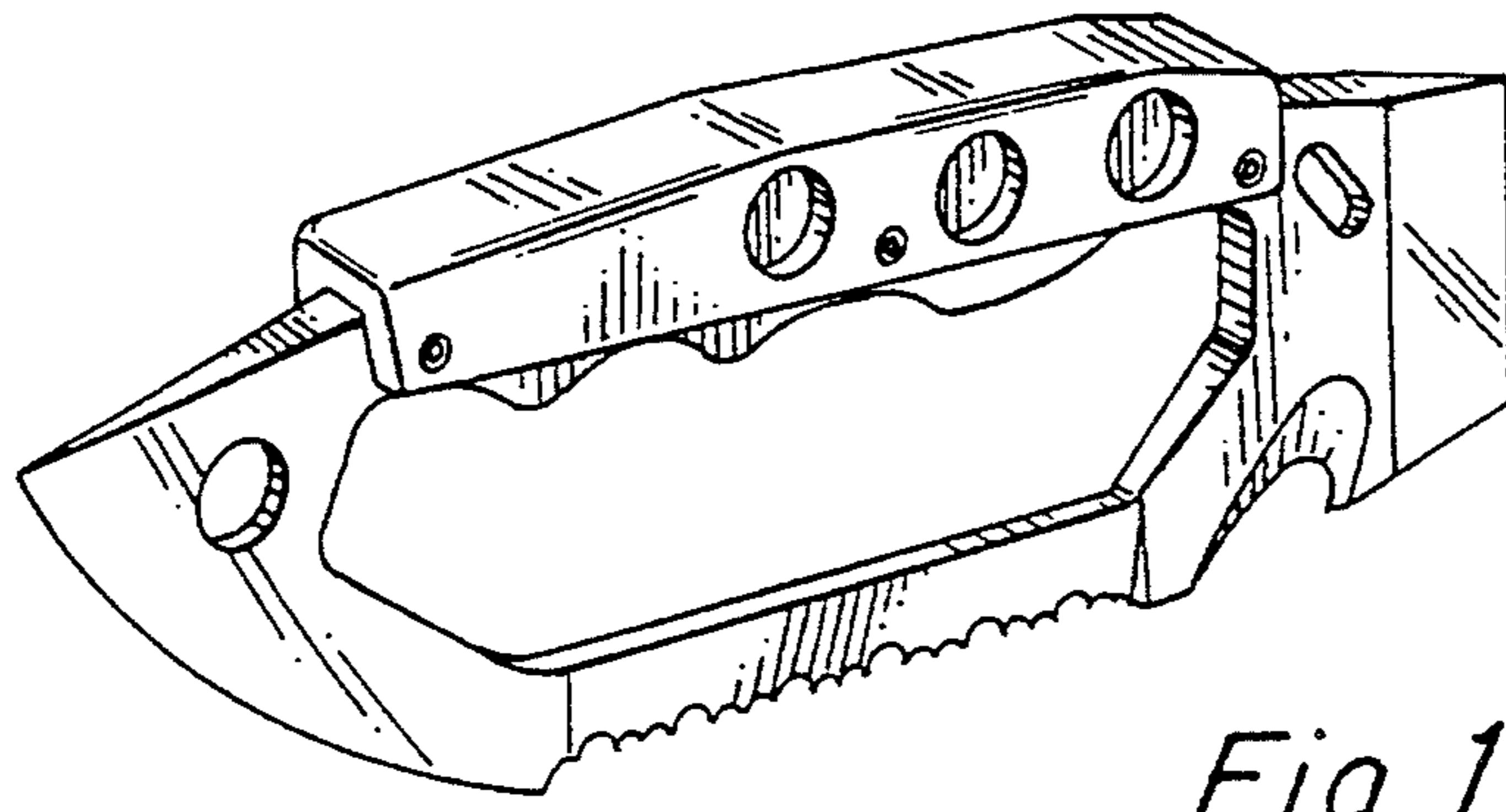


Fig. 1

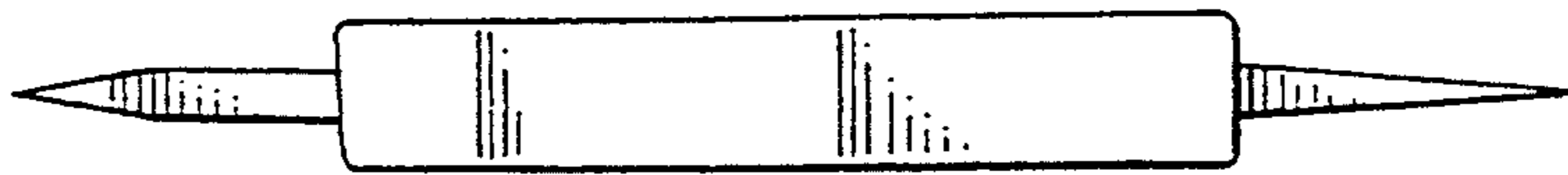


Fig. 2

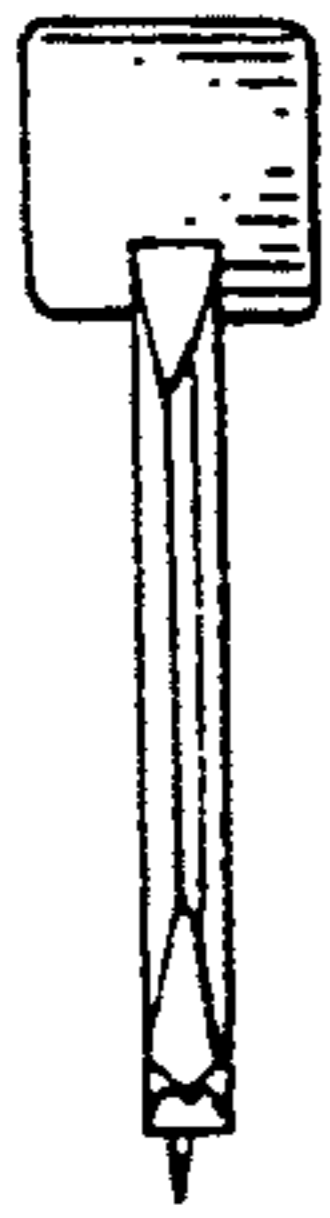


Fig. 6

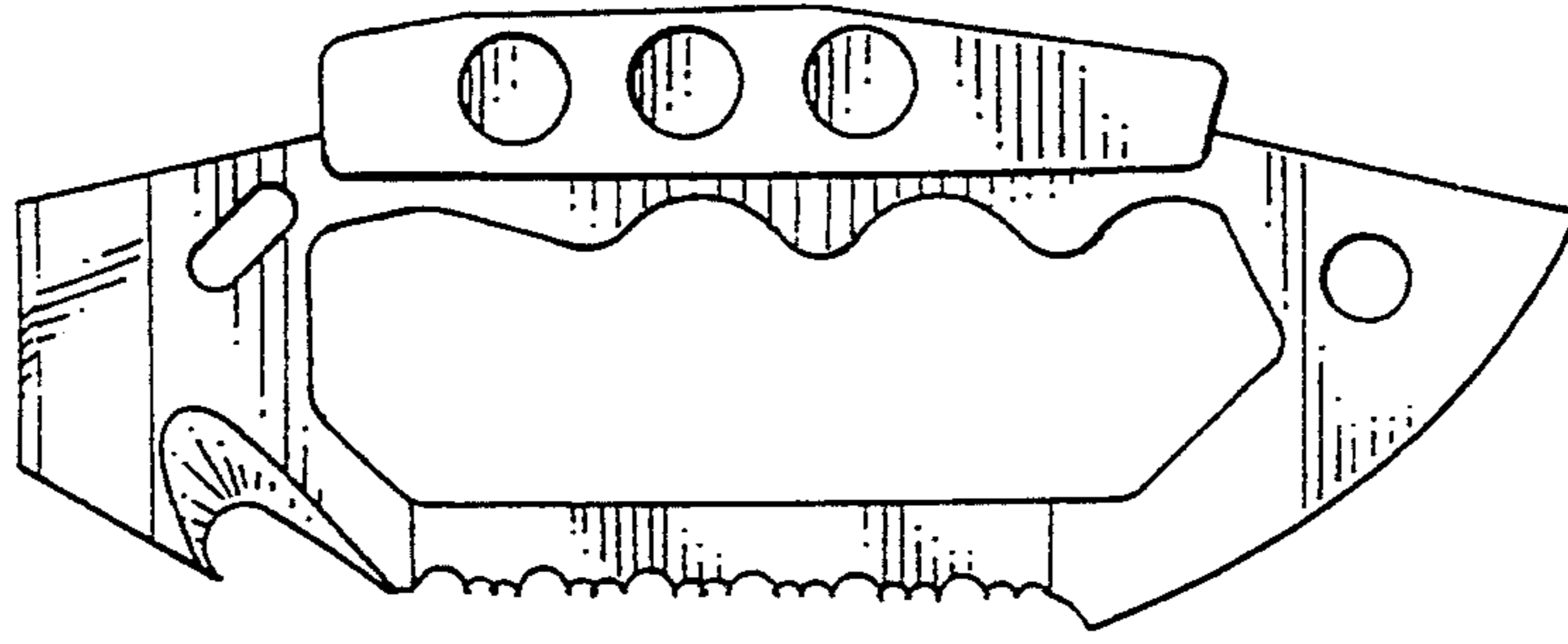


Fig. 3

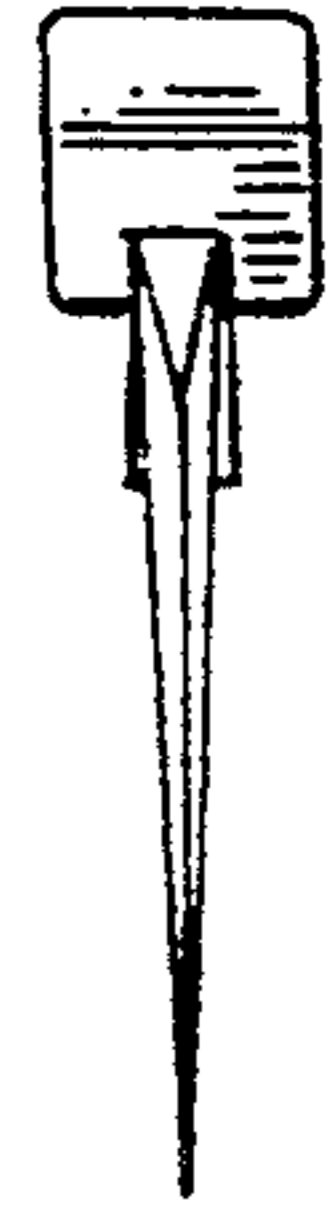


Fig. 5



Fig. 4