



US00D356018S

United States Patent [19]

[11] Patent Number: **Des. 356,018**

Nilsson et al.

[45] Date of Patent: **** Mar. 7, 1995**

[54] **CUTTING MACHINE**

[56] **References Cited**

[75] Inventors: **Dan Nilsson, Sjuntorp; Ove Donnerdal, Partille, both of Sweden**

U.S. PATENT DOCUMENTS

D. 197,171	12/1963	Steiner	D8/66
D. 198,423	6/1964	Cummins	D8/66
D. 277,118	1/1985	Klawitter	D8/66
D. 303,346	9/1989	Ogawa	D8/61
D. 316,659	5/1991	Neff	D8/61

[73] Assignee: **Aktiebolaget Electrolux, Stockholm, Sweden**

Primary Examiner—Alan P. Douglas
Assistant Examiner—J. H. Musgrove
Attorney, Agent, or Firm—Frost & Jacobs

[**] Term: **14 Years**

[57] CLAIM

[21] Appl. No.: **4,804**

The ornamental design for a cutting machine, as shown.

[22] Filed: **Feb. 16, 1993**

DESCRIPTION

[30] Foreign Application Priority Data

Aug. 21, 1992 [SE]	Sweden	92-1665
[52] U.S. Cl.		D8/66
[58] Field of Search	81/57.11; 30/272.1, 30/388; D8/61, 62, 64, 69	

FIG. 1 is a top, front perspective view of a cutting machine showing my new design; FIG. 2 is a bottom side view thereof; FIG. 3 is a top plan view thereof; FIG. 4 is a bottom plan view thereof; FIG. 5 is a rear view thereof; and, FIG. 6 is a front view thereof.

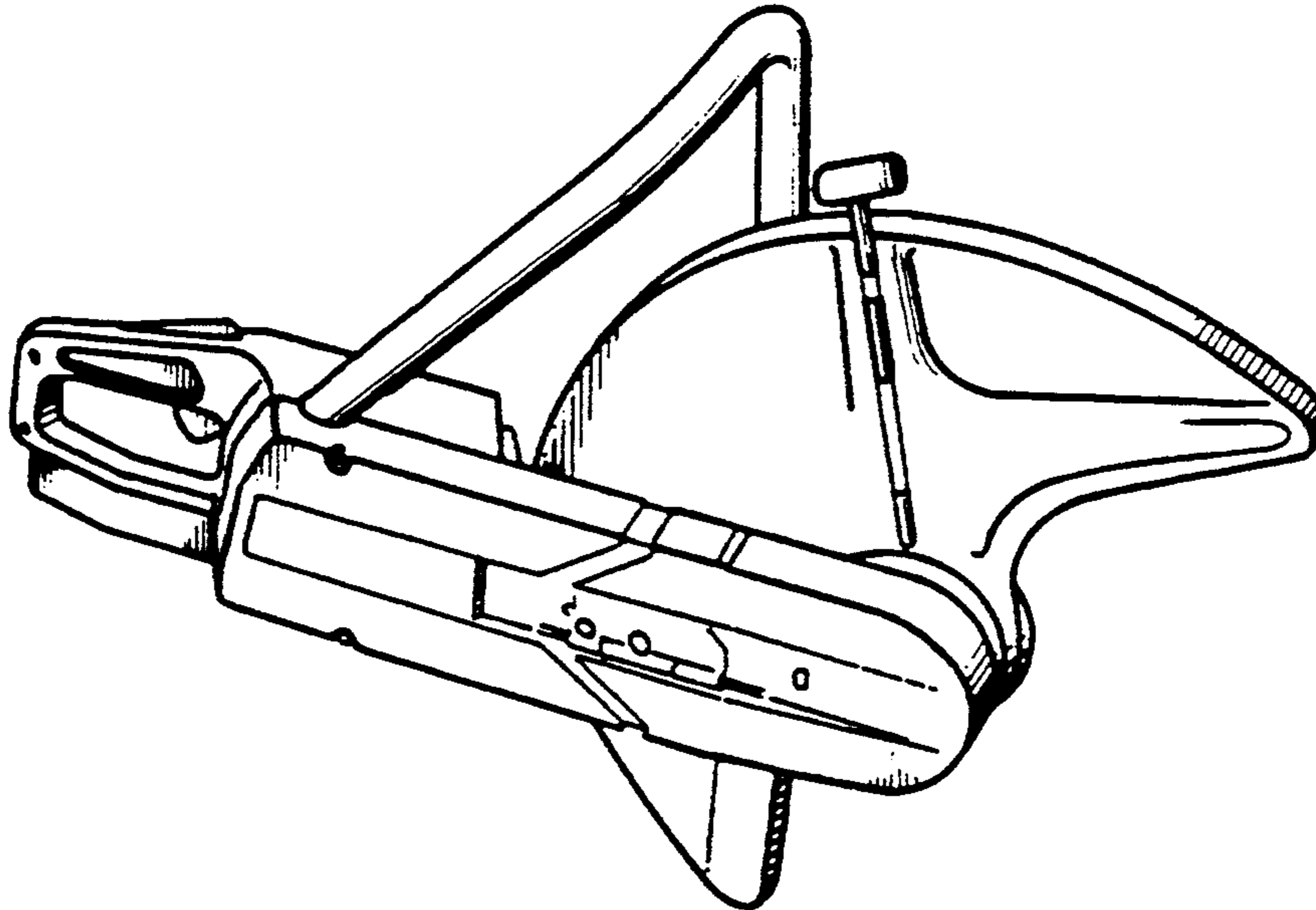


Fig. 1

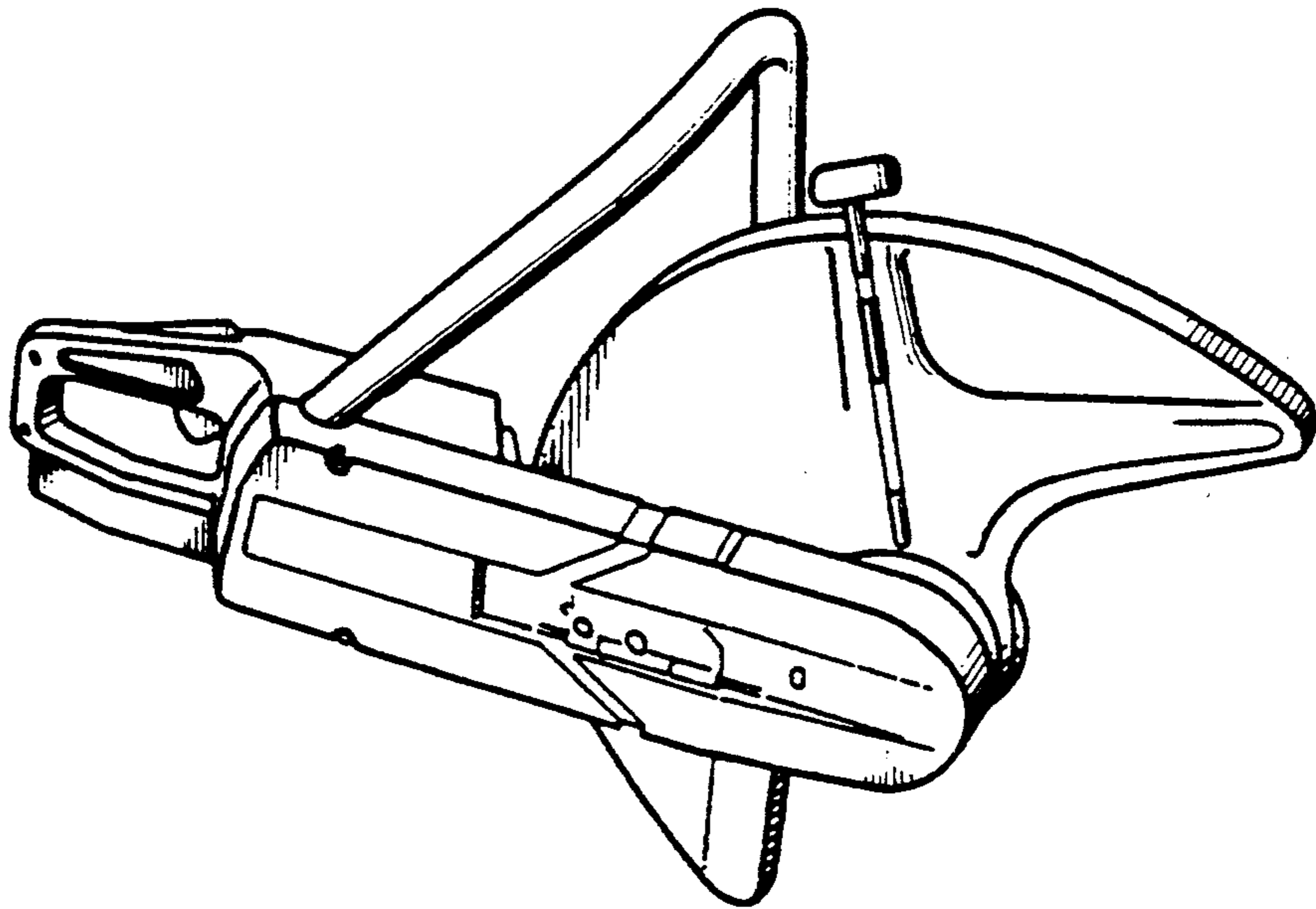


Fig. 2

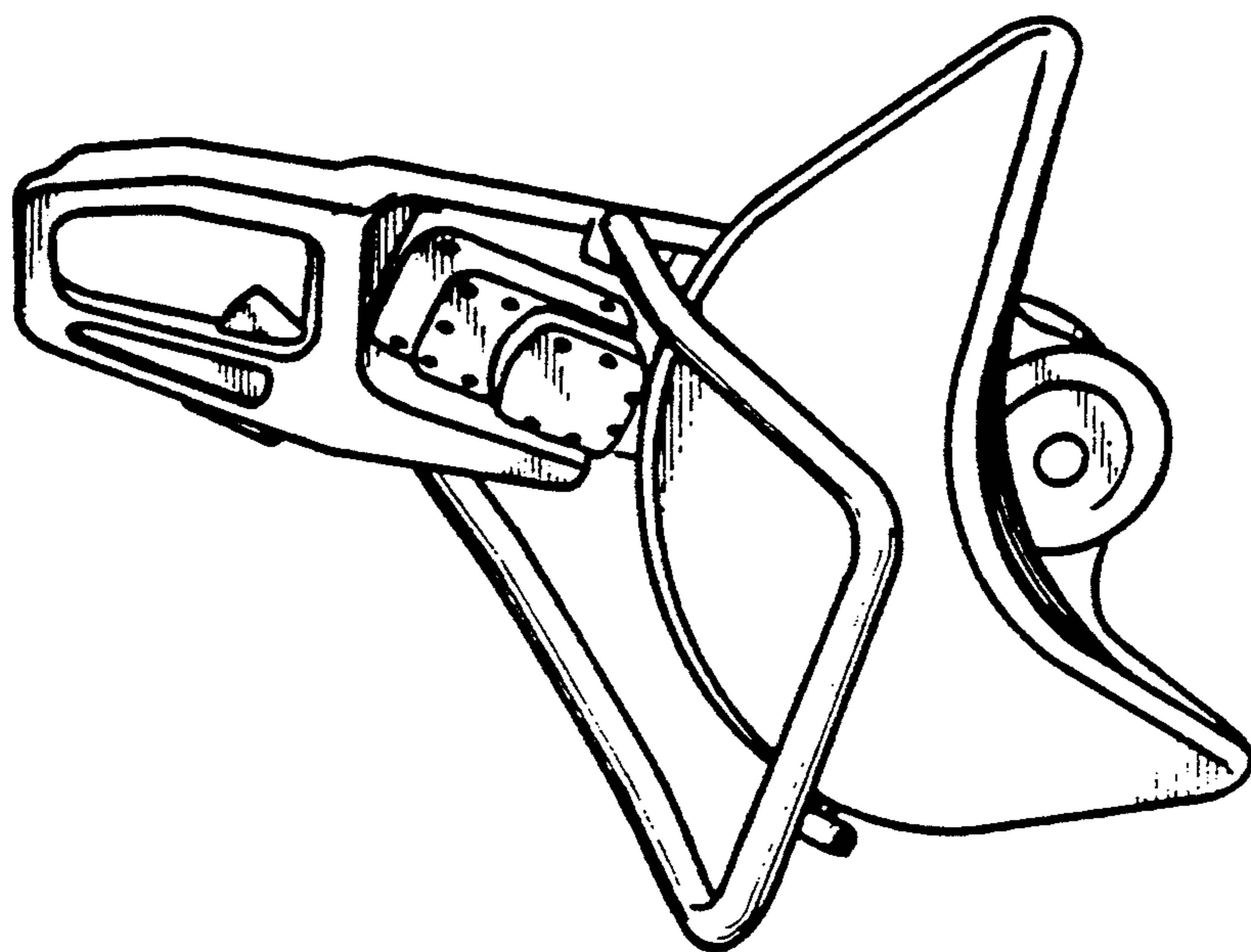


Fig. 3

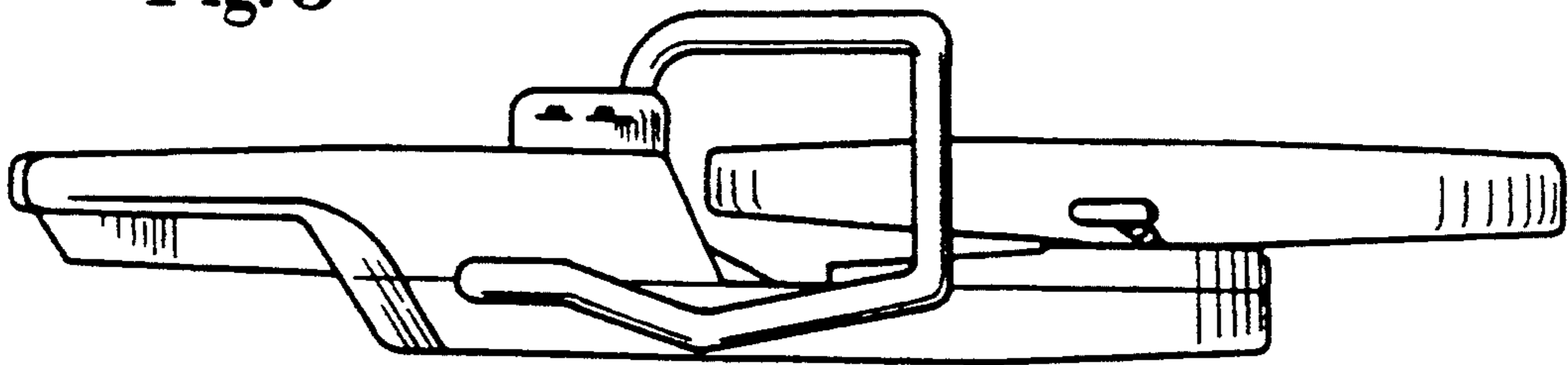


Fig. 4

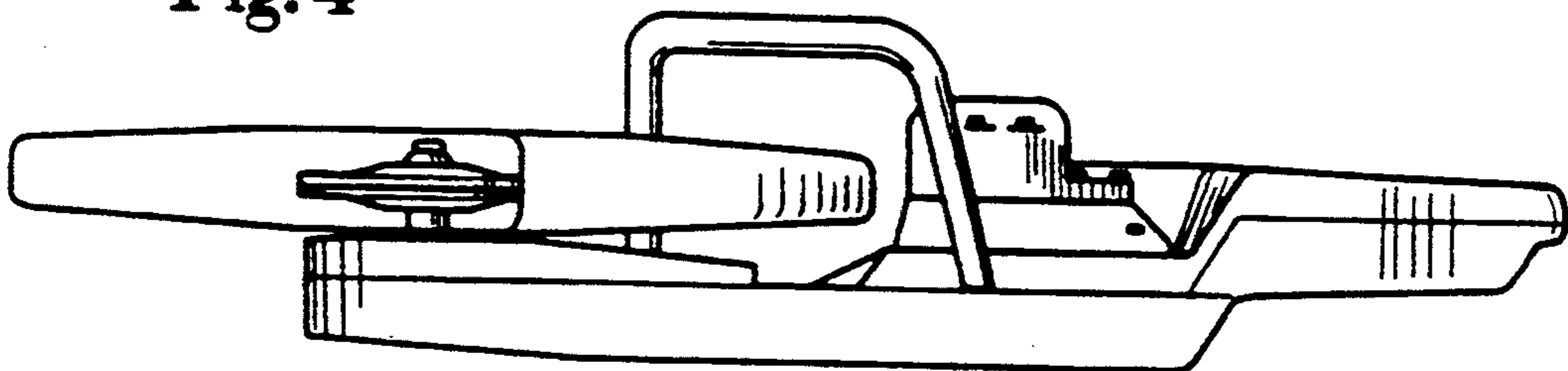


Fig. 5

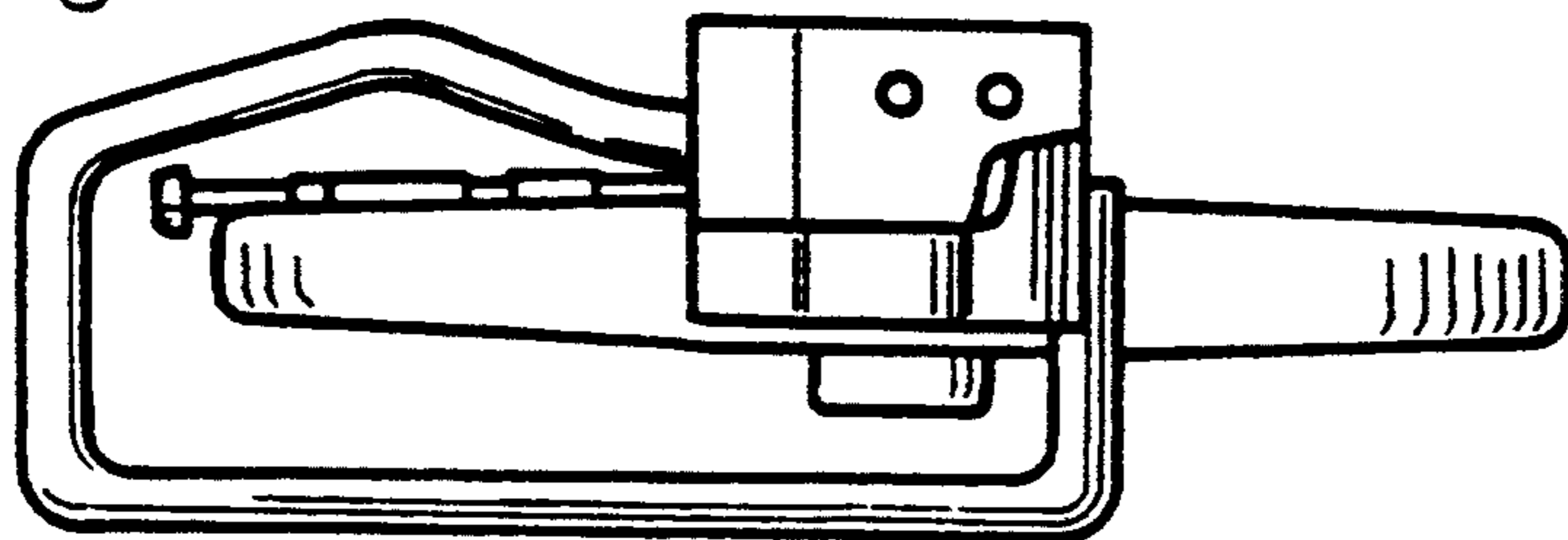


Fig. 6

