



US00D356017S

United States Patent [19]

[11] Patent Number: **Des. 356,017**

Izumisawa

[45] Date of Patent: **** Mar. 7, 1995**

[54] **MINIATURE ORBITAL SANDER**

D. 345,089 3/1994 Kikuchi et al. D8/62

[75] Inventor: **Osamu Izumisawa, Tokyo, Japan**

Primary Examiner—Alan P. Douglas

[73] Assignee: **Shinano Pneumatic Industries, Inc., Nagano, Japan**

Assistant Examiner—Jeffry H. Musgrove

Attorney, Agent, or Firm—Senniger, Powers, Leavitt & Roedel

[**] Term: **14 Years**

[57] **CLAIM**

[21] Appl. No.: **12,969**

The ornamental design for a miniature orbital sander, as shown and described.

[22] Filed: **Sep. 14, 1993**

[52] U.S. Cl. **D8/62**

DESCRIPTION

[58] Field of Search D8/61, 62; 51/170 R, 51/170 T, 170 EB, 170 TL, 170 MT

FIG. 1 is a left side elevational view of a miniature orbital sander showing my new design, the right side elevational view being substantially a mirror image thereof;

[56] **References Cited**

U.S. PATENT DOCUMENTS

- D. 324,803 3/1992 Butzen et al. D8/62
- D. 326,398 5/1992 Fushiya et al. D8/62
- D. 334,126 3/1993 Huber et al. D8/62

FIG. 2 is a front elevational view thereof;

FIG. 3 is a rear elevational view thereof;

FIG. 4 is a top plan view thereof; and,

FIG. 5 is a bottom plan view thereof.

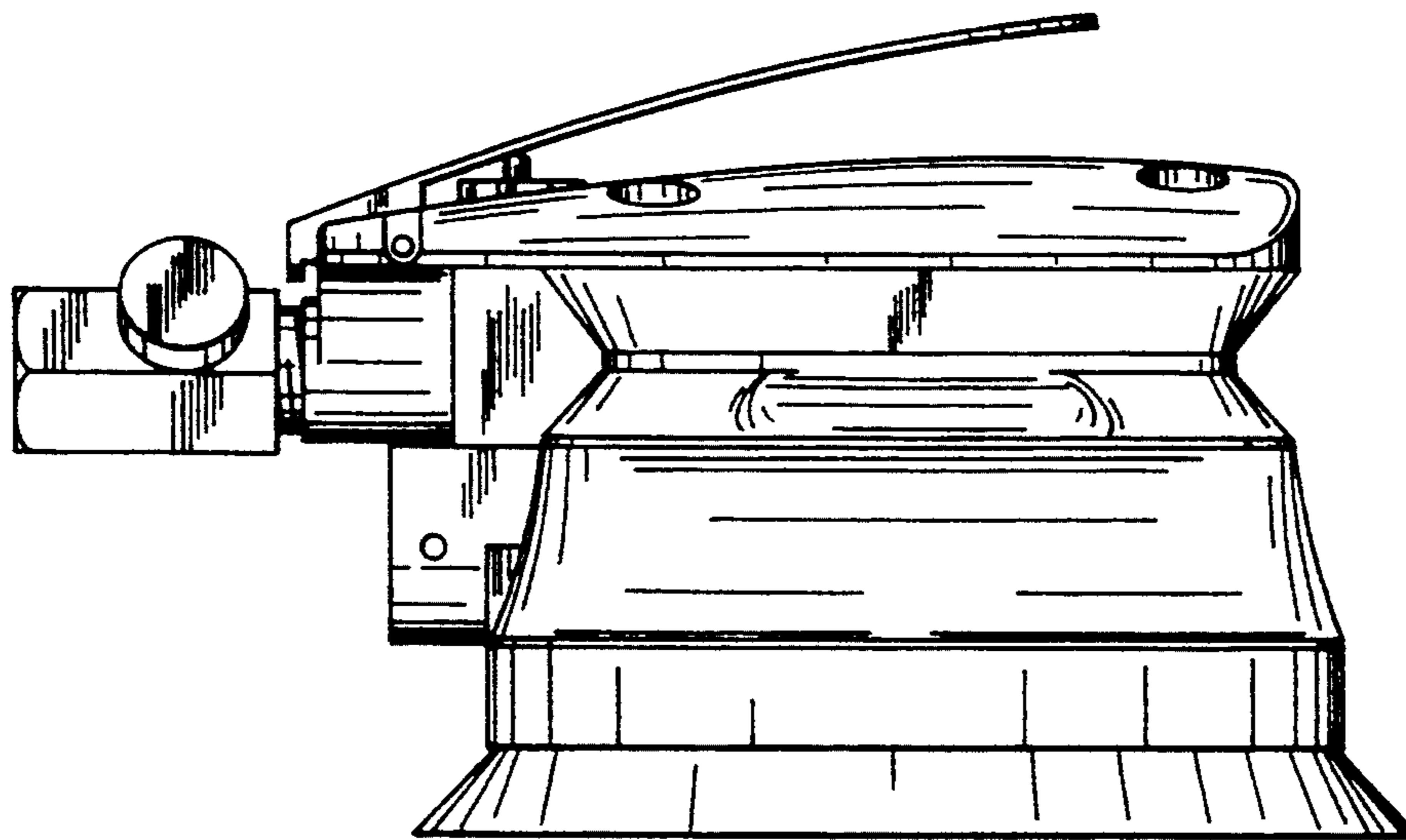


FIG. 1

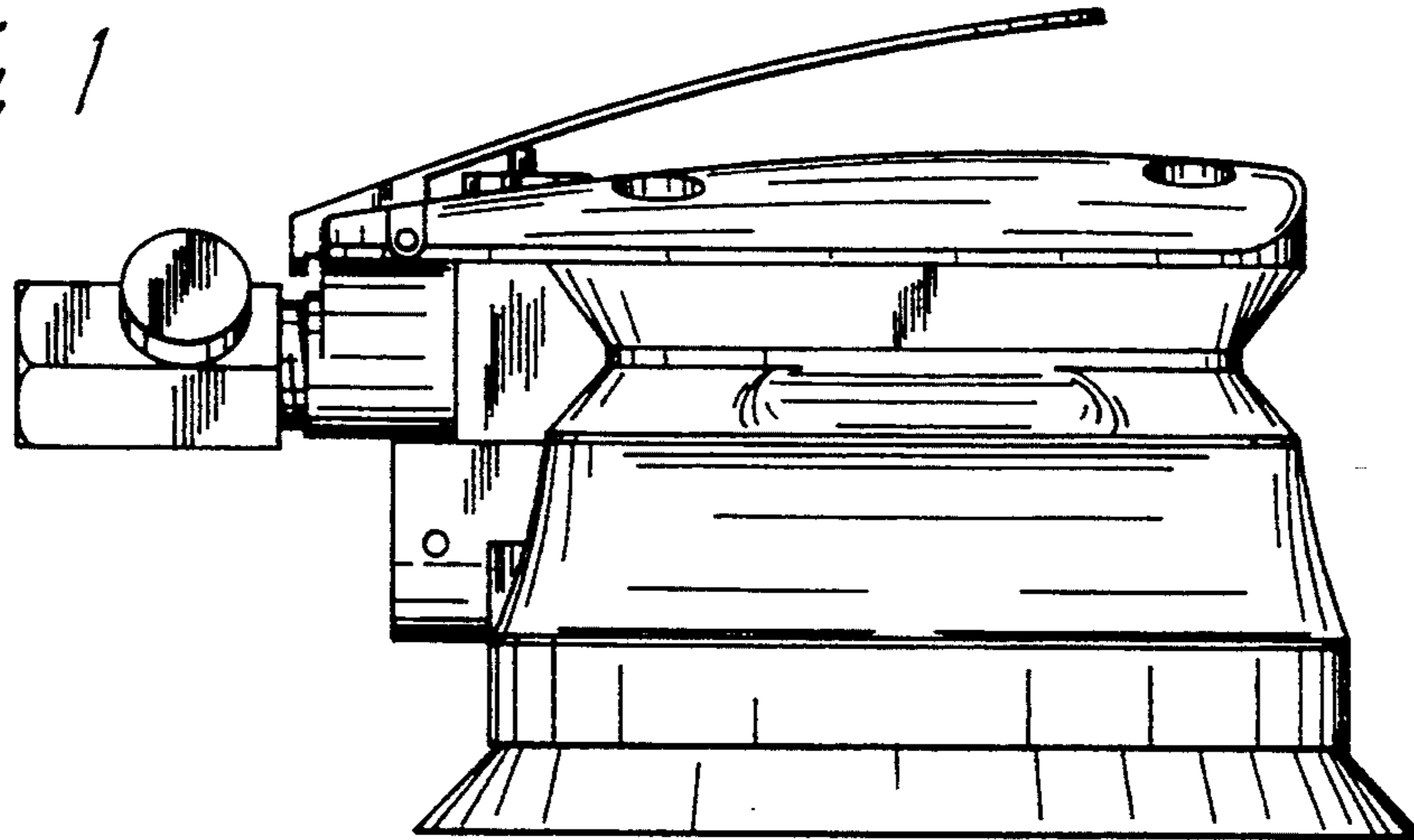


FIG. 2

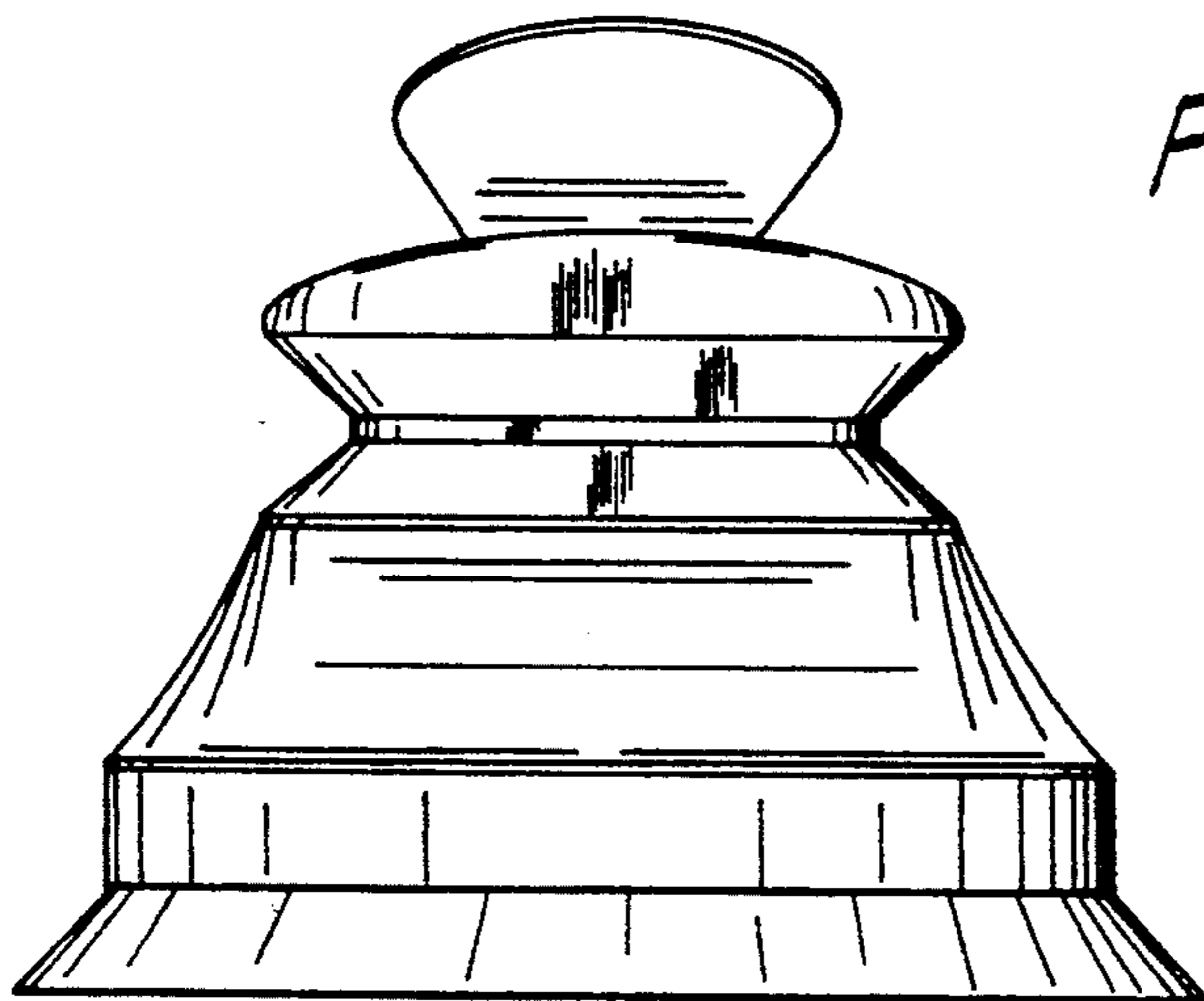


FIG. 3

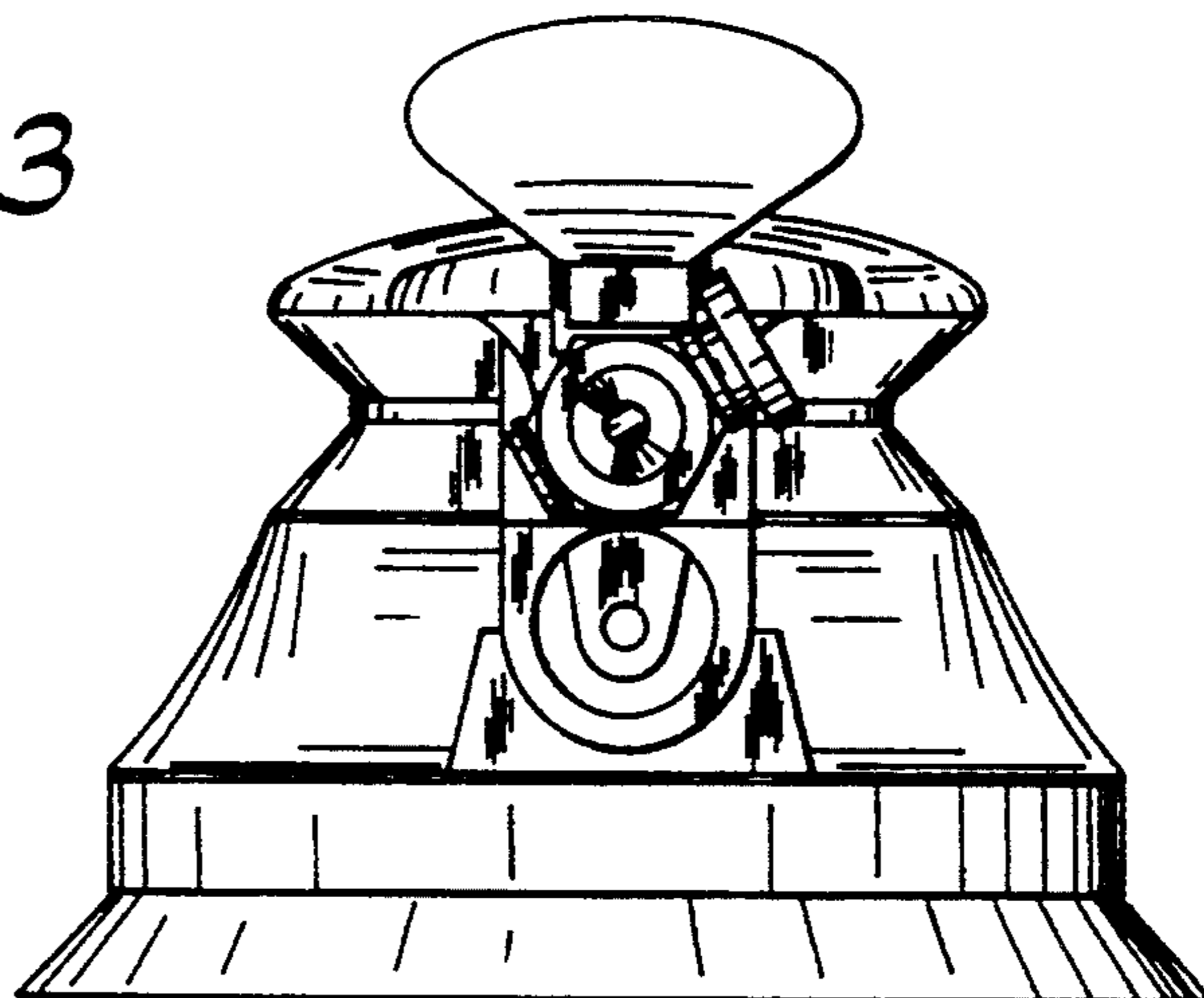


FIG. 4

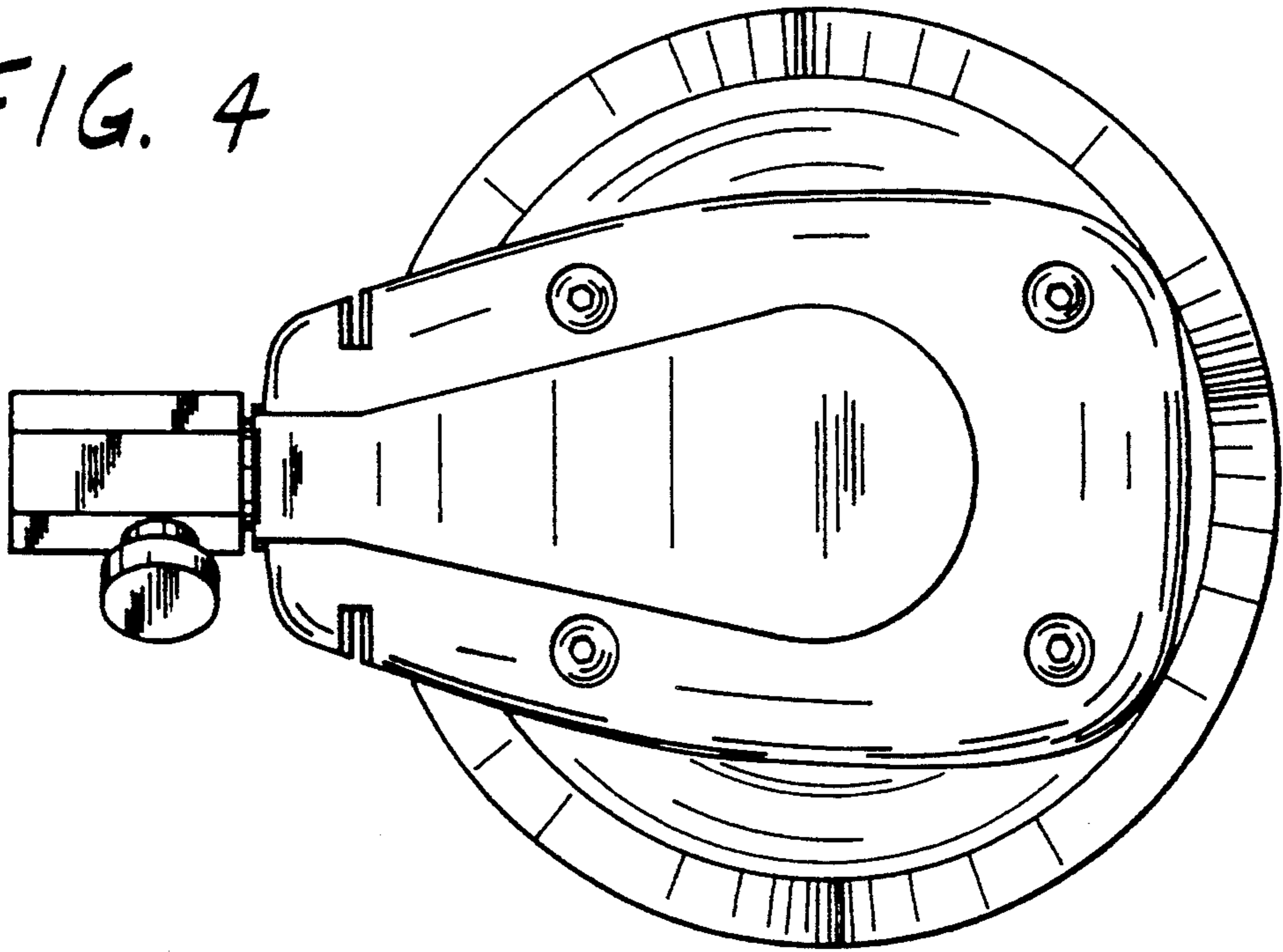


FIG. 5

