



US00D356016S

# United States Patent [19]

[11] Patent Number: **Des. 356,016**

**Jewell**

[45] Date of Patent: **\*\* Mar. 7, 1995**

- [54] **GOLF SHOE SPIKE WRENCH**
- [76] Inventor: **Delbert E. Jewell**, 236 W. Glendale, Webster Groves, Mo. 63119
- [\*\*] Term: **14 Years**
- [21] Appl. No.: **11,639**
- [22] Filed: **Aug. 11, 1993**
- [52] U.S. Cl. .... **D8/21; D21/234**
- [58] Field of Search ..... **D8/14, 21, 27; 81/52, 81/119, 120, 121.1, 176.1, 176.15, 176.2, 436, 461, 488; D21/234**

*Attorney, Agent, or Firm*—Richard G. Heywood

### [57] CLAIM

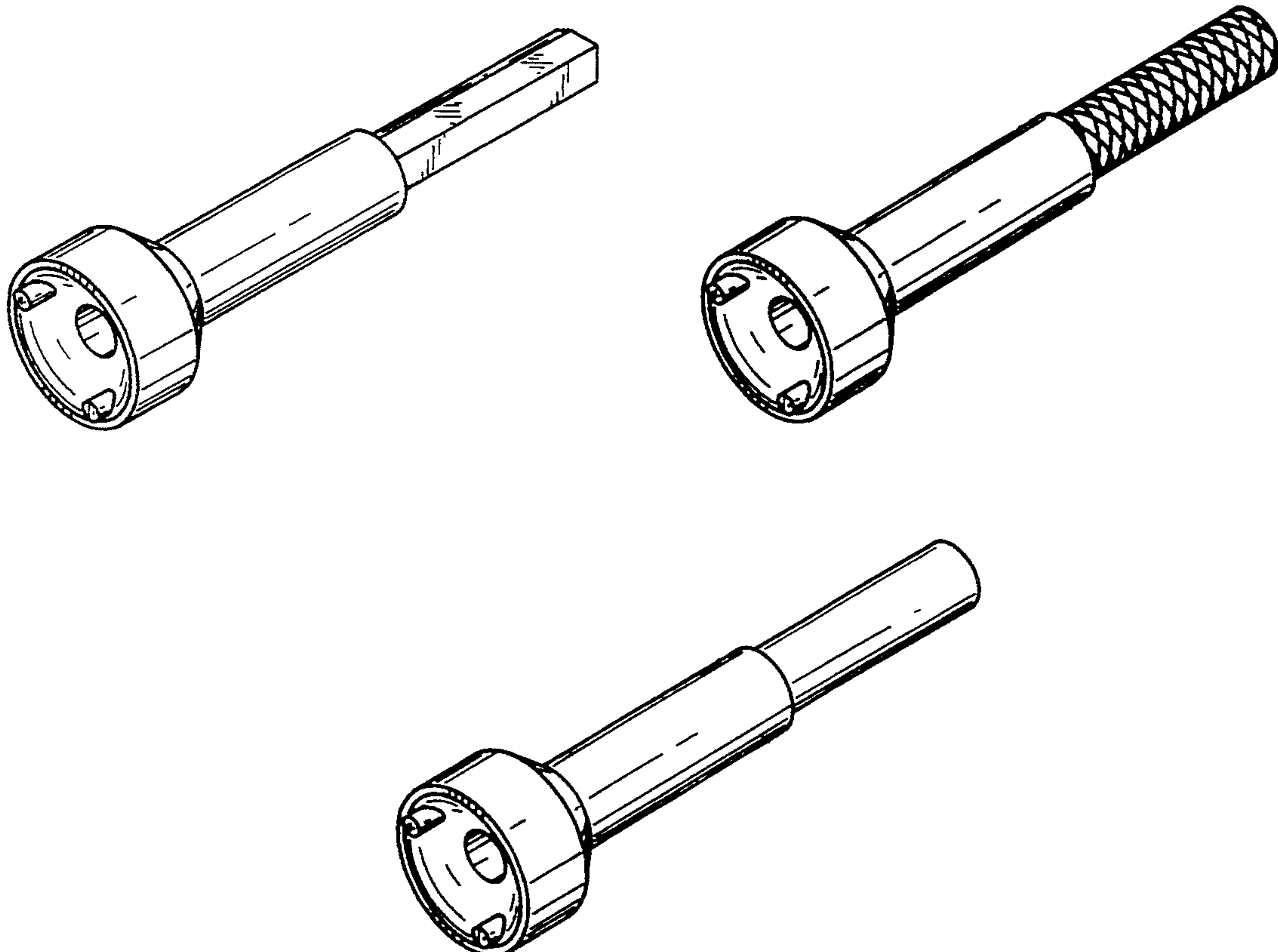
The ornamental design for a golf shoe spike wrench, as shown and described.

### DESCRIPTION

FIG. 1 is a perspective view of a golf shoe spike wrench showing my new design;  
 FIG. 2 is an enlarged side elevation view thereof, the opposite side being a mirror image;  
 FIG. 3 is an enlarged top plan view thereof;  
 FIG. 4 is an enlarged bottom plan view thereof;  
 FIG. 5 is a perspective view of a second embodiment of FIG. 1;  
 FIG. 6 is an enlarged side elevation view thereof, the opposite side being a mirror image;  
 FIG. 7 is an enlarged top plan view thereof;  
 FIG. 8 is an enlarged bottom plan view thereof;  
 FIG. 9 is a perspective view of a third embodiment of FIG. 1;  
 FIG. 10 is an enlarged side elevation view thereof, the opposite side being a mirror image;  
 FIG. 11 is an enlarged top plan view thereof; and,  
 FIG. 12 is an enlarged bottom plan view thereof.

- [56] **References Cited**
- U.S. PATENT DOCUMENTS**
- D. 306,471 3/1990 Gabbert ..... D21/234
- D. 327,824 7/1992 Bianco ..... D8/21
- D. 342,004 12/1993 Wettstein ..... D21/234
- D. 343,558 1/1994 Latraverse et al. .... D8/21
- 3,302,672 2/1967 Walton ..... 81/461
- 5,048,138 9/1991 Everroad ..... 81/176.15

*Primary Examiner*—Terry A. Wallace  
*Assistant Examiner*—Richelle Shelton



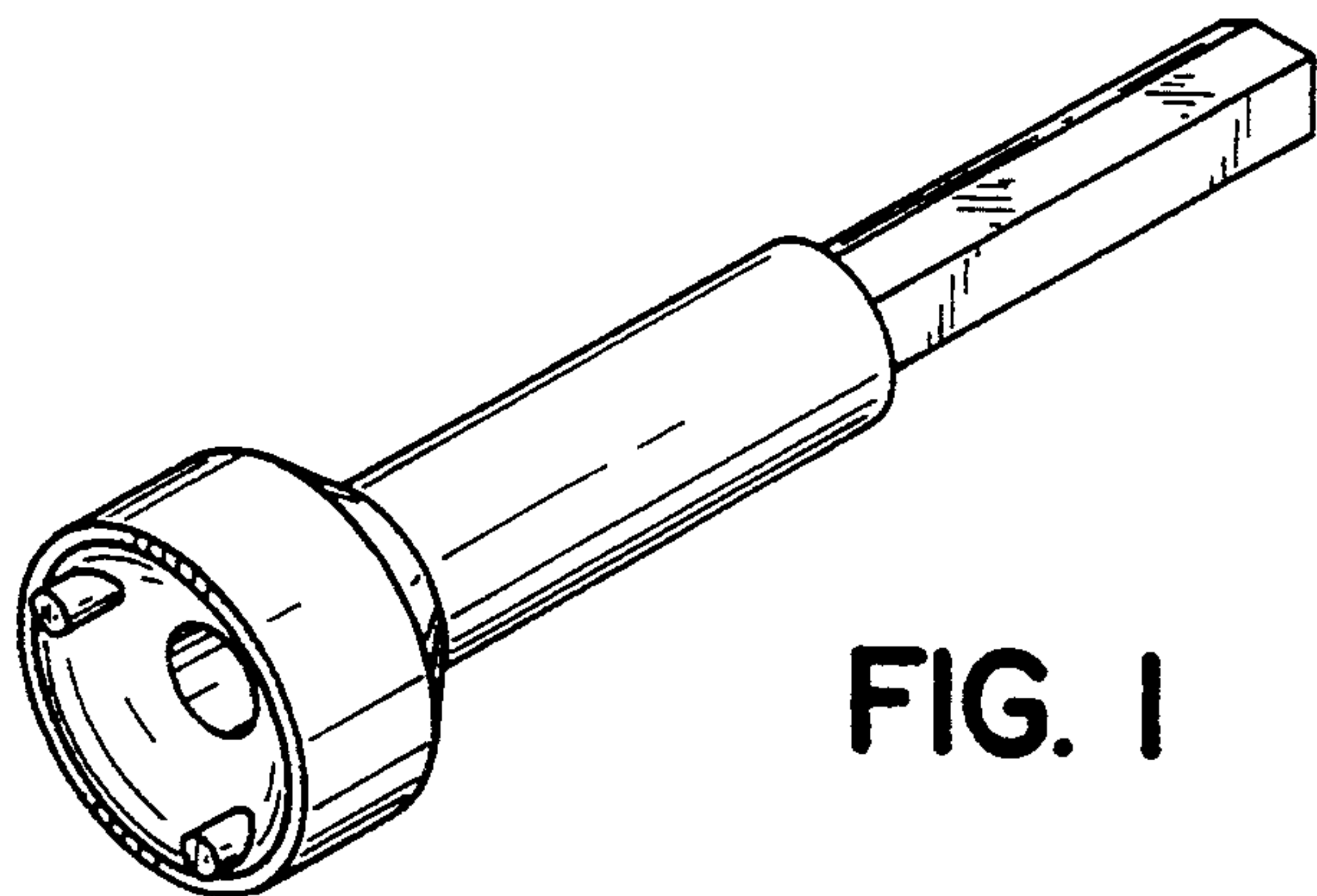


FIG. 1

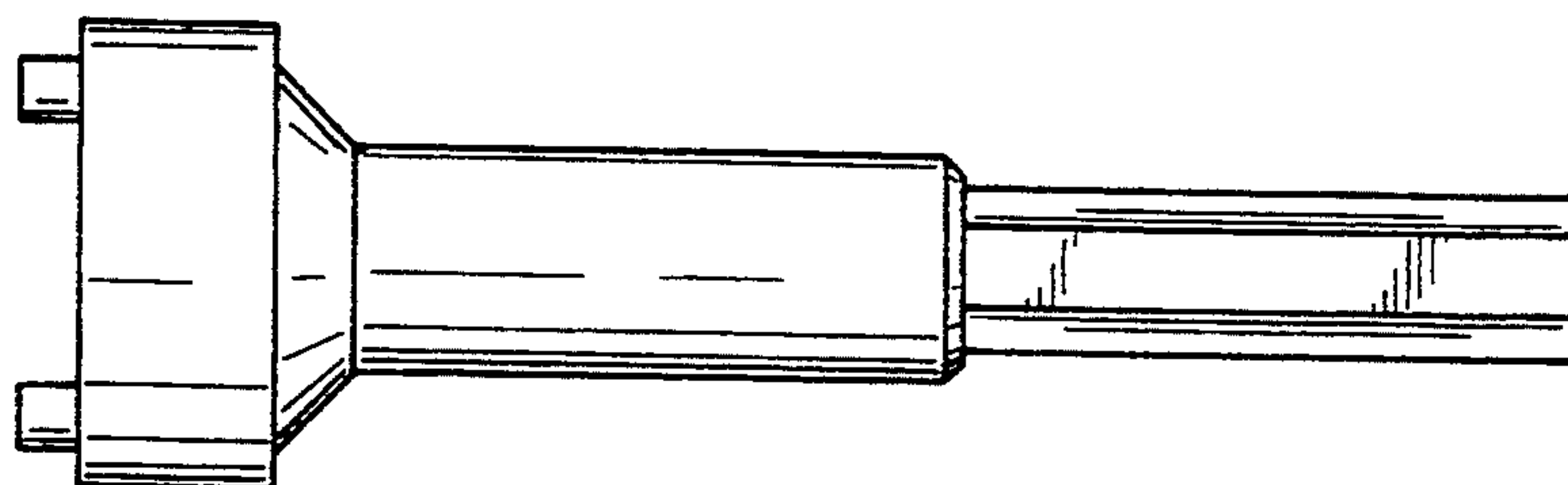


FIG. 2

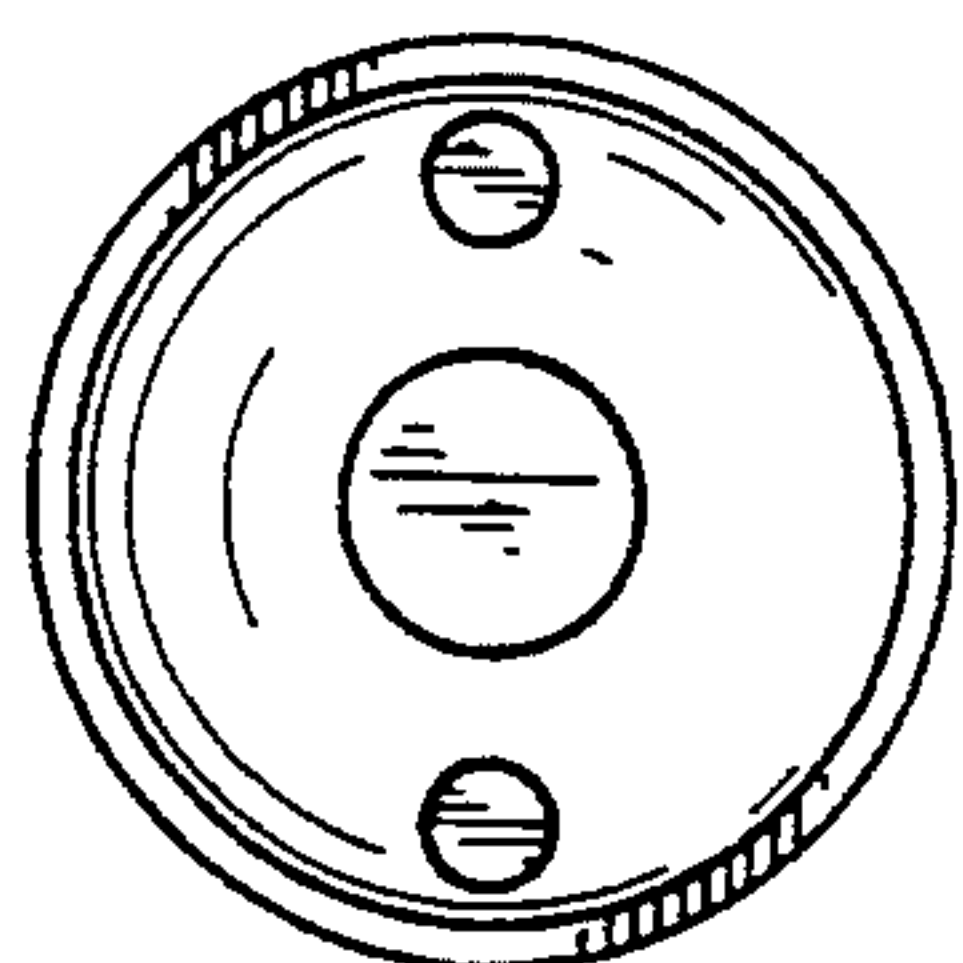


FIG. 3

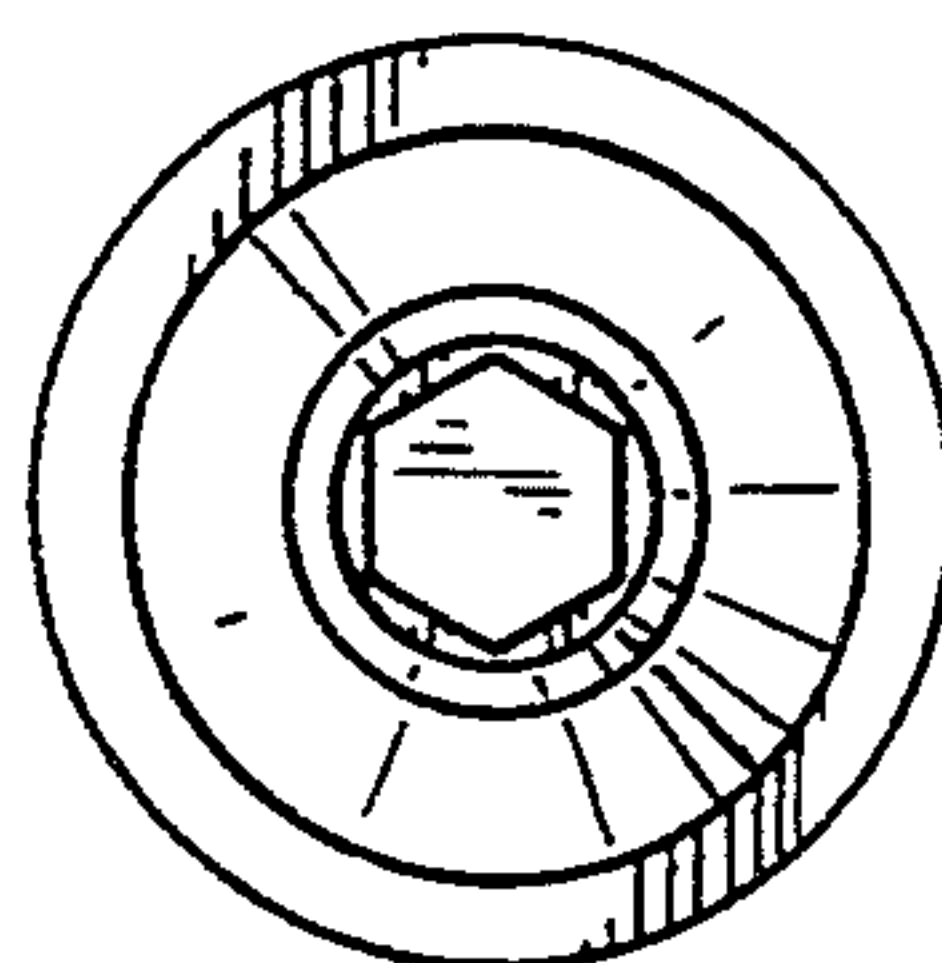


FIG. 4

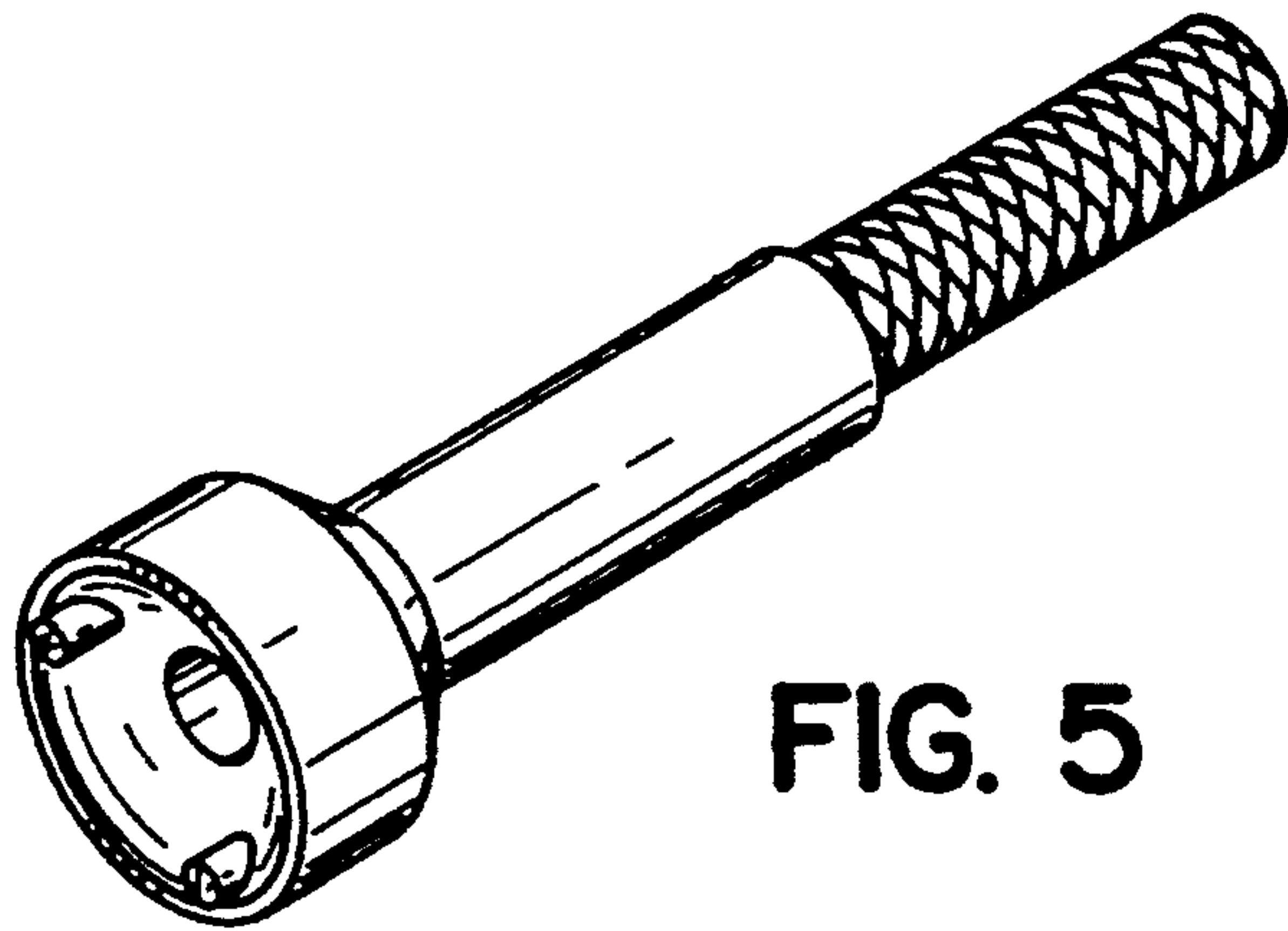


FIG. 5

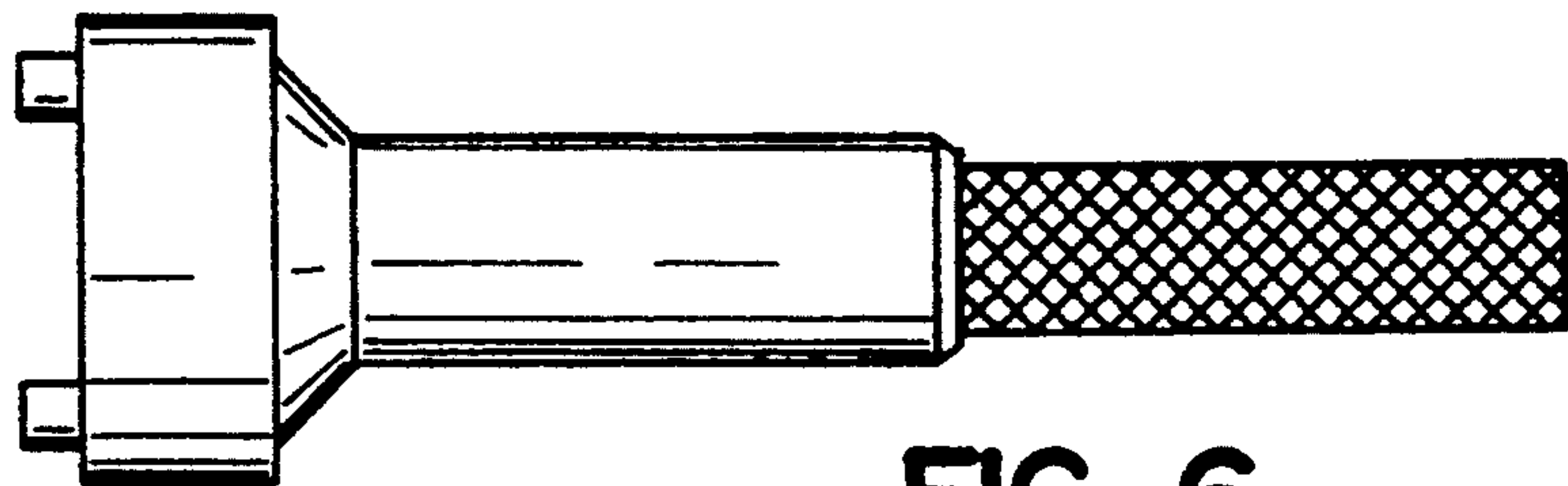


FIG. 6

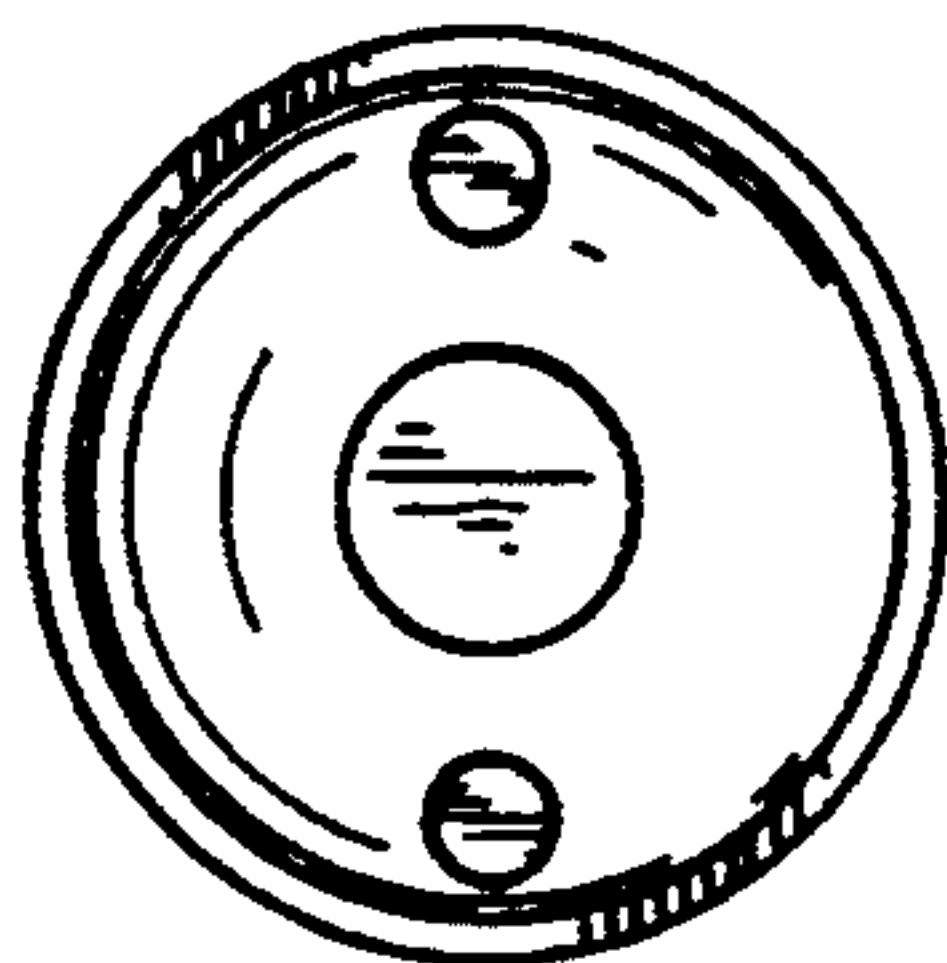


FIG. 7

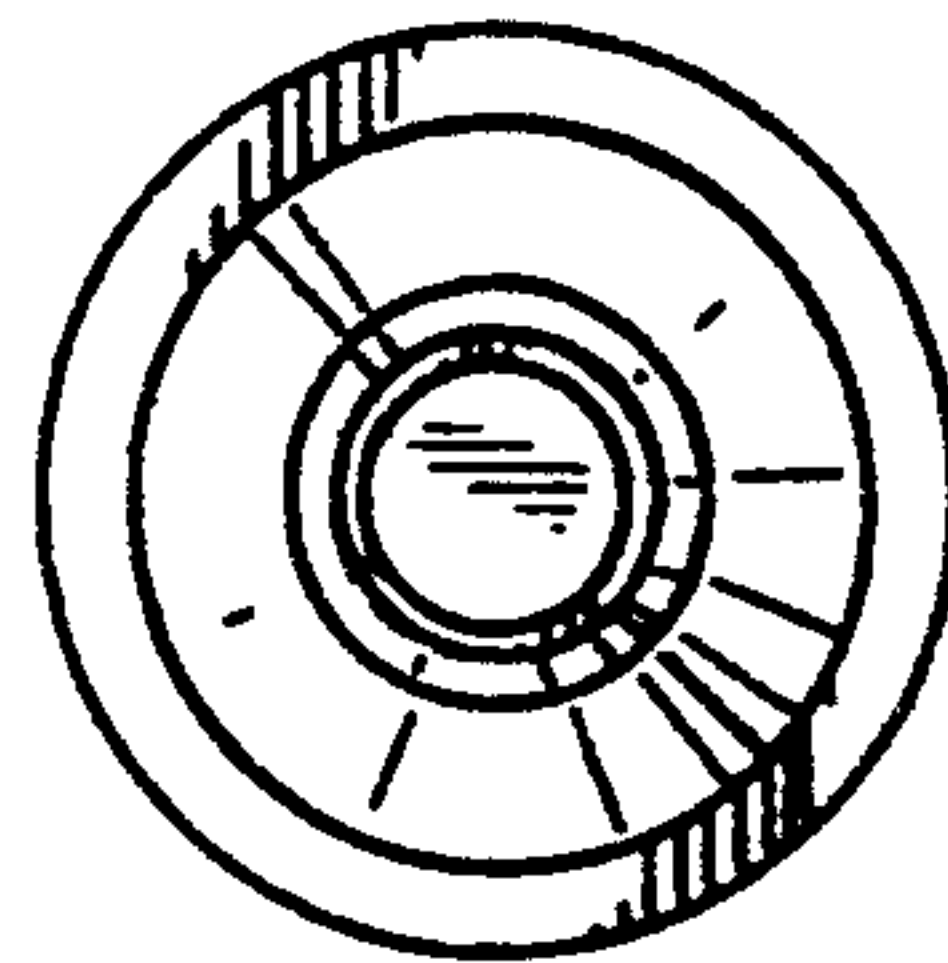


FIG. 8

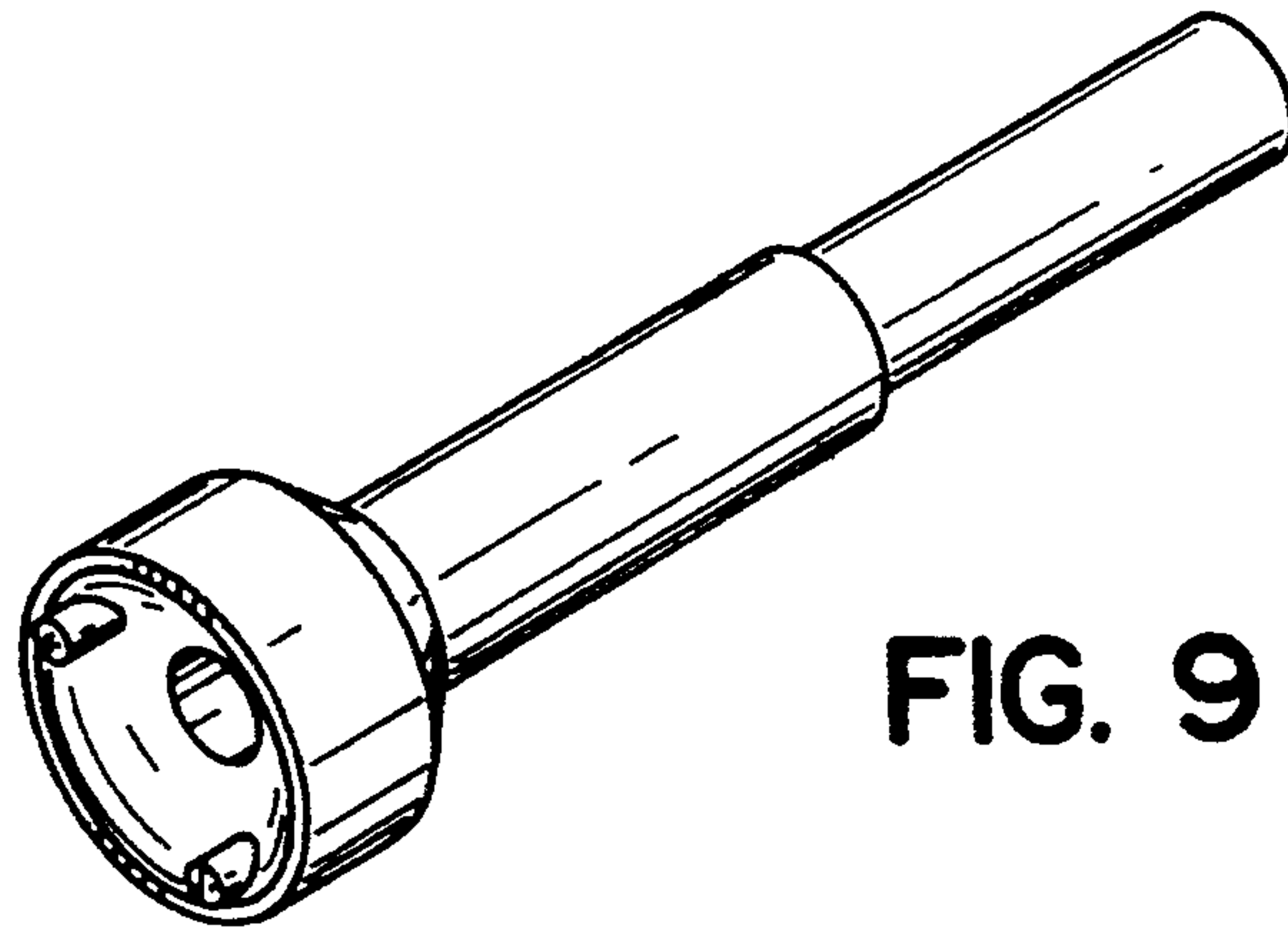


FIG. 9

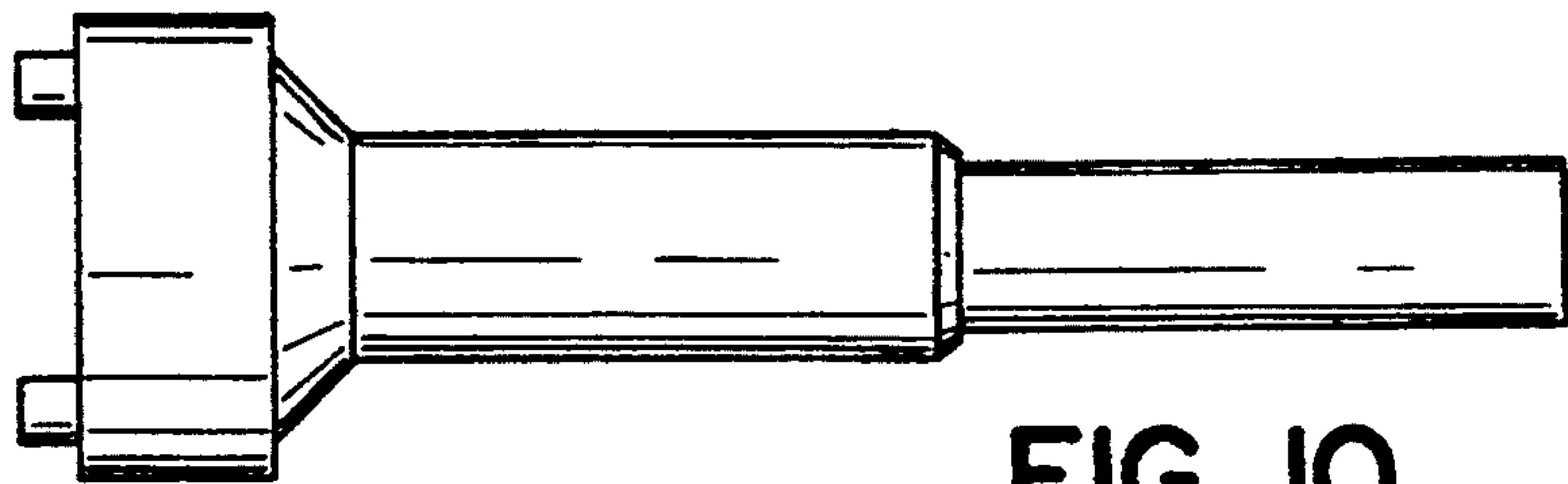


FIG. 10

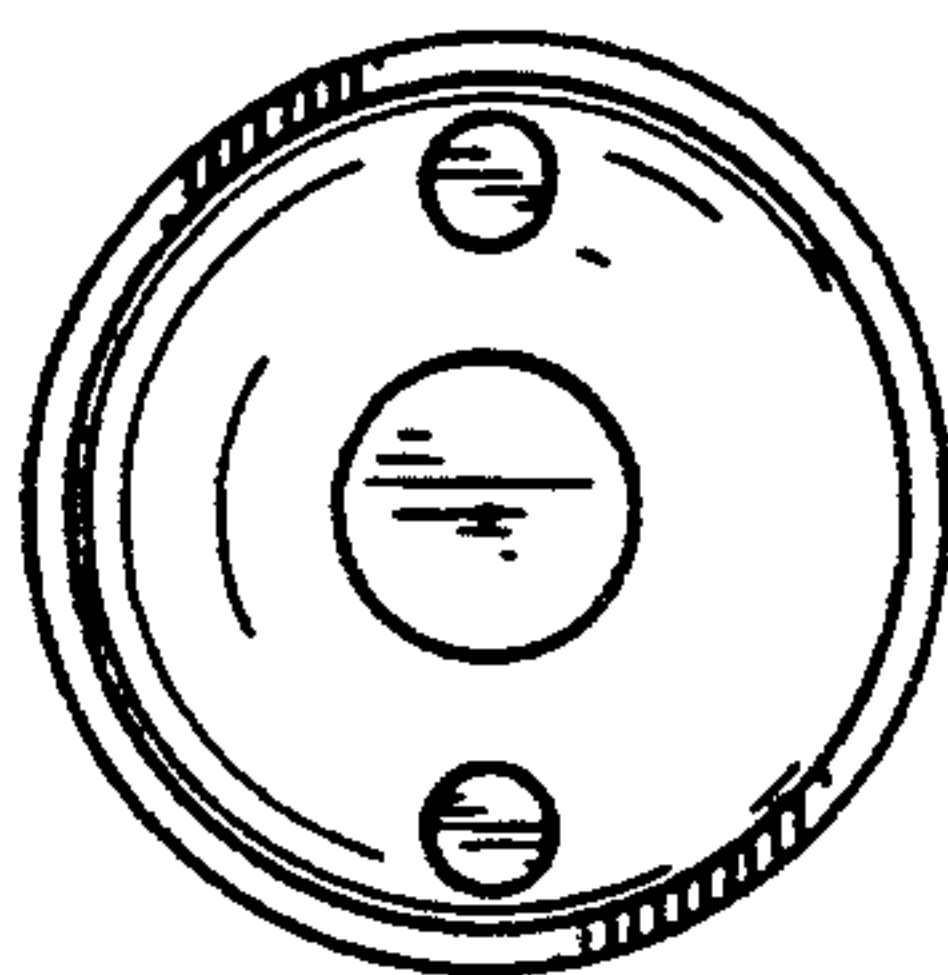


FIG. 11

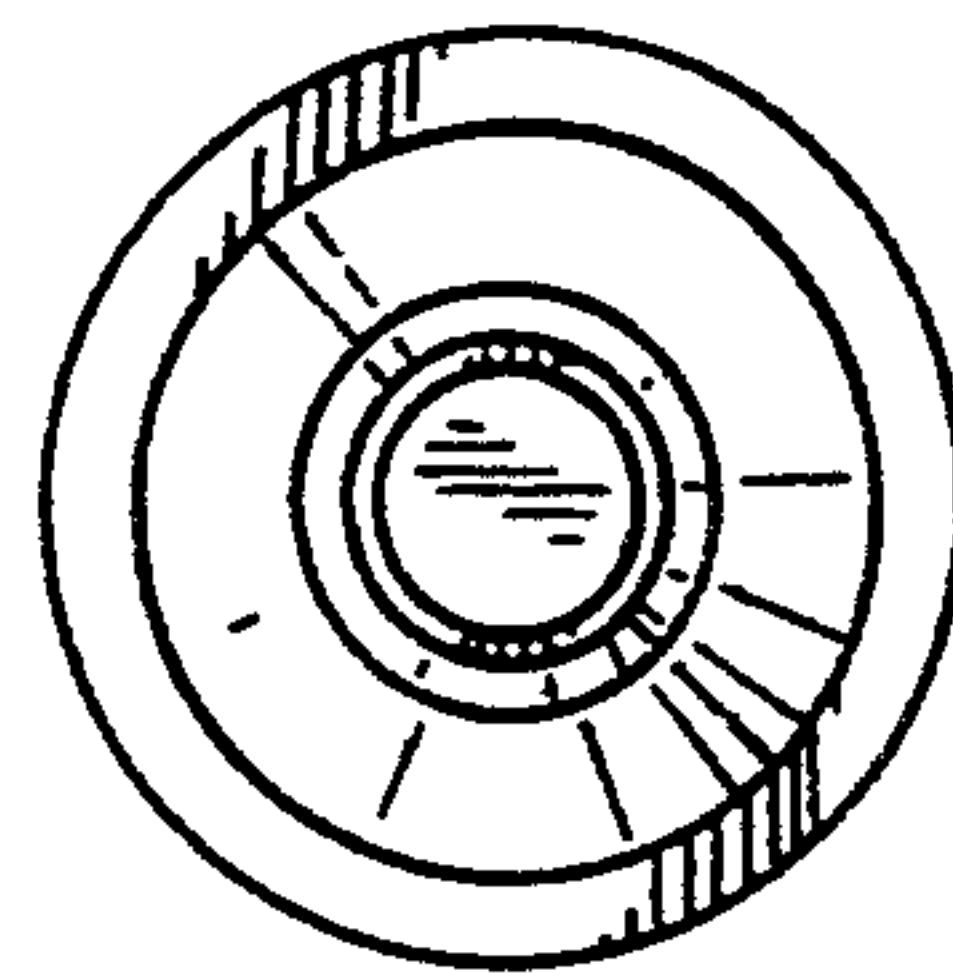


FIG. 12