



US00D356015S

# United States Patent [19]

[11] Patent Number: **Des. 356,015**

Lane, Jr. William A. et al.

[45] Date of Patent: **\*\* Mar. 7, 1995**

[54] **PAIR OF POUCH FORMING TOOL JAWS**

[75] Inventors: **Lane, Jr. William A., Lake Arrowhead; Steven D. Davis, Yuciappa, both of Calif.**

[73] Assignee: **W. A. Lane, Inc., San Bernardino, Calif.**

[\*\*] Term: **14 Years**

[21] Appl. No.: **15,252**

[22] Filed: **Nov. 12, 1993**

**Related U.S. Application Data**

[63] Continuation-in-part of Ser. No. 4,231, Jan. 29, 1993, abandoned.

[52] U.S. Cl. .... **D8/14; D8/14**

[58] Field of Search ..... **D8/14; 156/583.1; 53/373.7, 374.2, 375.9, 477, 562**

[56] **References Cited**

**U.S. PATENT DOCUMENTS**

4,079,570	3/1978	Rucker .....	53/477
5,207,049	5/1993	Baruffato et al. ....	156/583.1 X
5,268,058	12/1993	Cornwell .....	156/583.1

**FOREIGN PATENT DOCUMENTS**

0212218	12/1960	Austria .....	53/374.2
0548162	11/1956	Belgium .....	53/562
0755543	10/1970	Belgium .....	156/583.1
1341154	12/1973	United Kingdom .....	53/374.2

Primary Examiner—Terry A. Wallace

Assistant Examiner—Richelle Shelton  
Attorney, Agent, or Firm—James G. O'Neill

[57] **CLAIM**

The ornamental design for a pair of pouch forming tool jaws, as shown and described.

**DESCRIPTION**

FIG. 1 is a front elevational view of one of the jaws of the pair of pouch forming tool jaws of our new design; FIG. 2 is a top view of the jaw of our new design as shown in FIG. 1;

FIG. 3 is a bottom view of the jaw of our new design as shown in FIG. 1;

FIG. 4 is a front elevational view of the other of the pair of jaws of our new design;

FIG. 5 is a top view of the jaw of our new design as shown in FIG. 4;

FIG. 6 is a bottom view of the jaw of our new design as shown in FIG. 4;

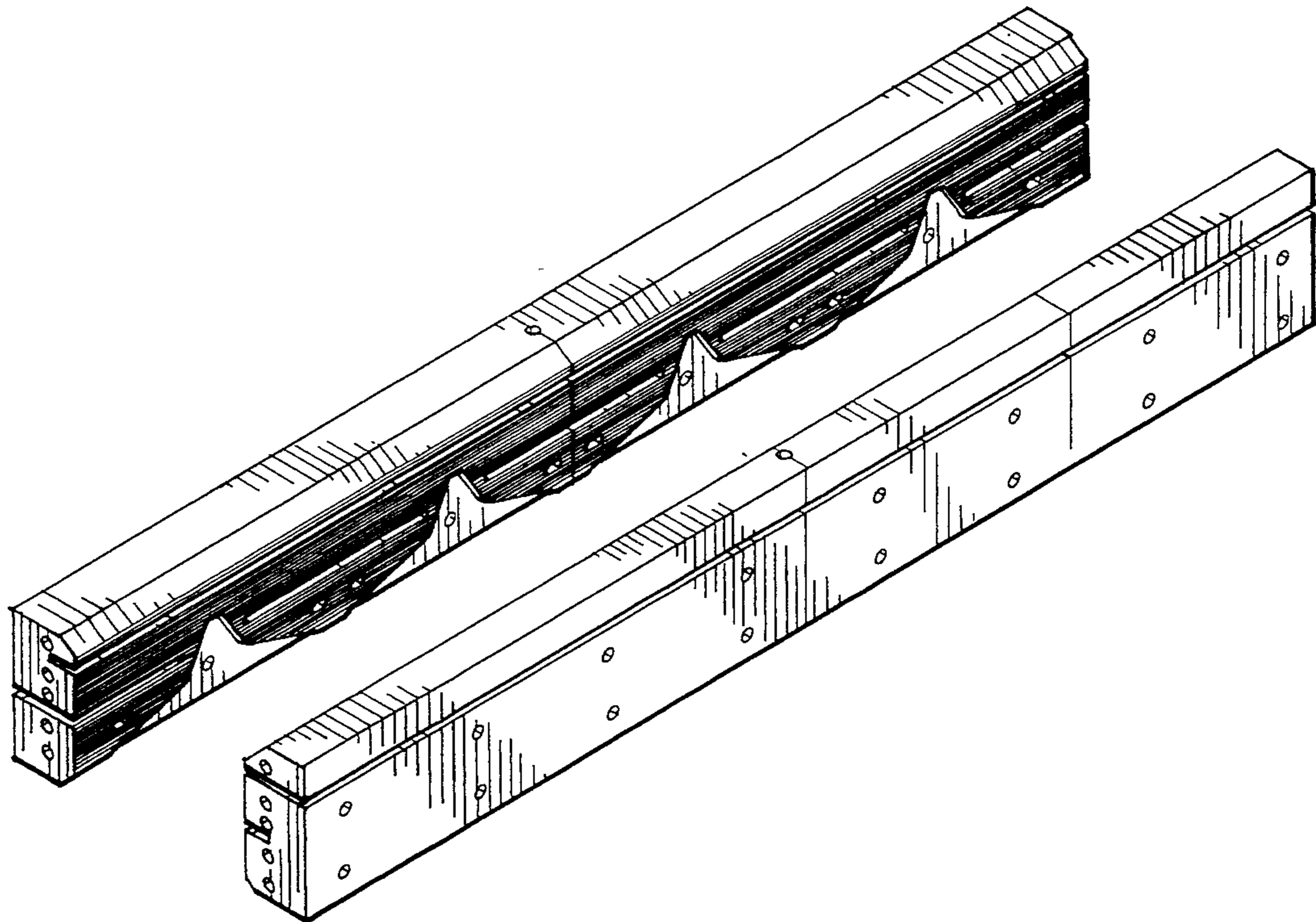
FIG. 7 is left side view of the jaw of our new design as shown in FIG. 1, with the opposite, or right side view being the mirror image thereof;

FIG. 8 is a right side view the jaw of our new design as shown in FIG. 4, with the opposite, or left side view being the mirror image thereof;

FIG. 9 is an isometric view of the pair of jaws of our new design showing the front view of the jaw of FIG. 1 and the rear view of the jaw of FIG. 4; and,

FIG. 10 is a further isometric view of the pair of jaws of our new design showing the front view of the jaw of FIG. 4 and the rear view of the jaw of FIG. 1.

The jaws in FIGS. 1-8 are shown independently of the pair for ease of illustration.



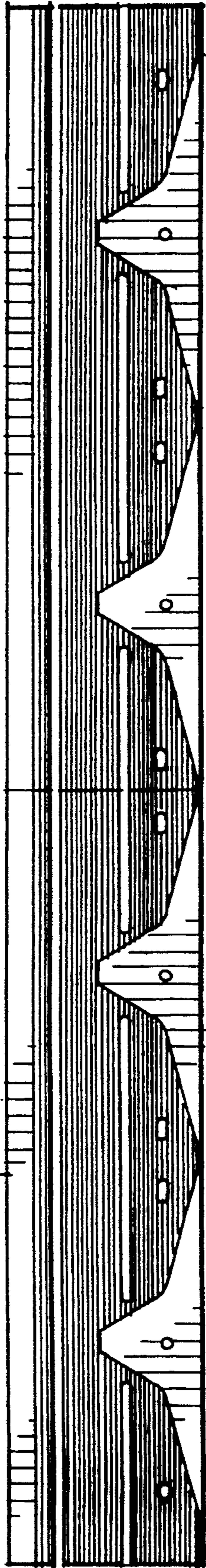


FIG. 1

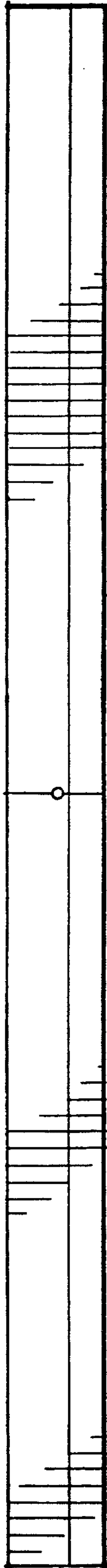


FIG. 2

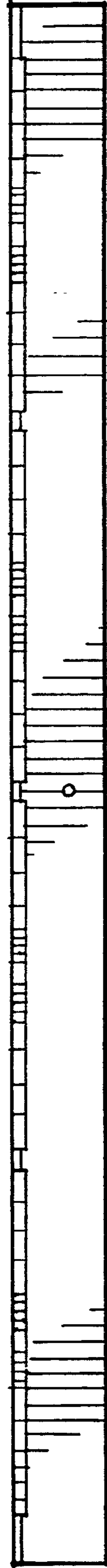


FIG. 3

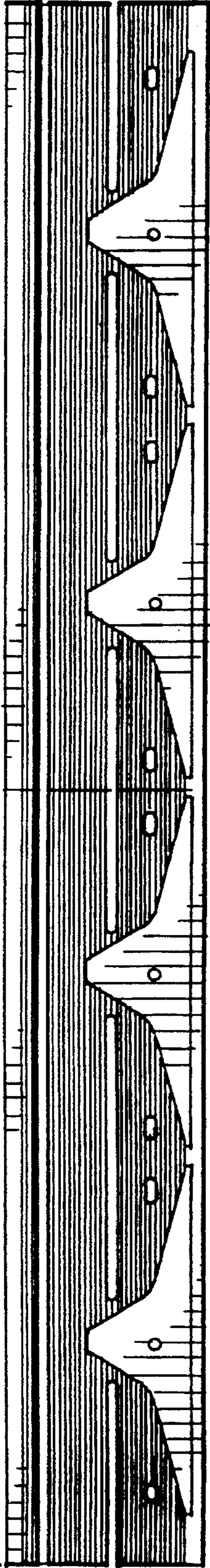


FIG. 4

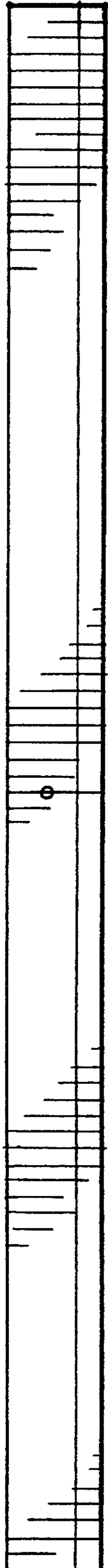


FIG. 5

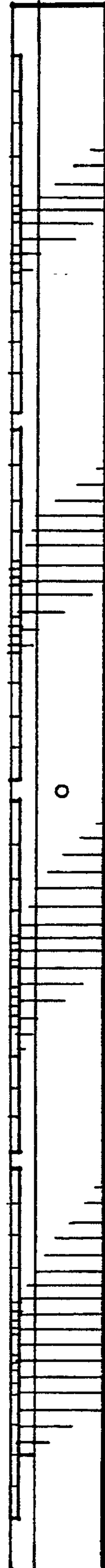


FIG. 6

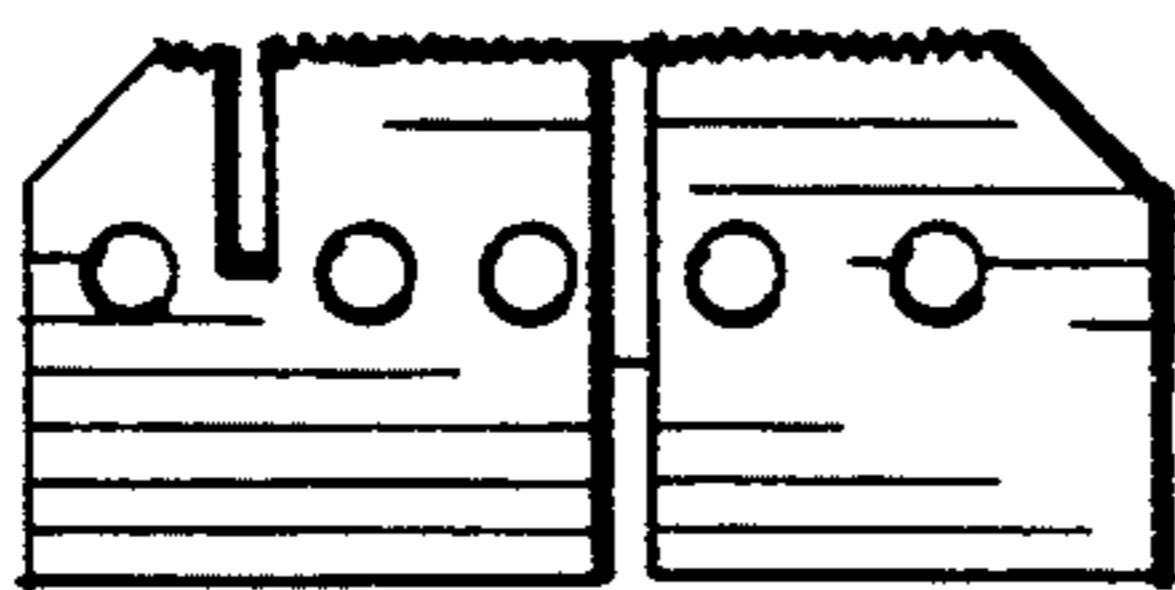
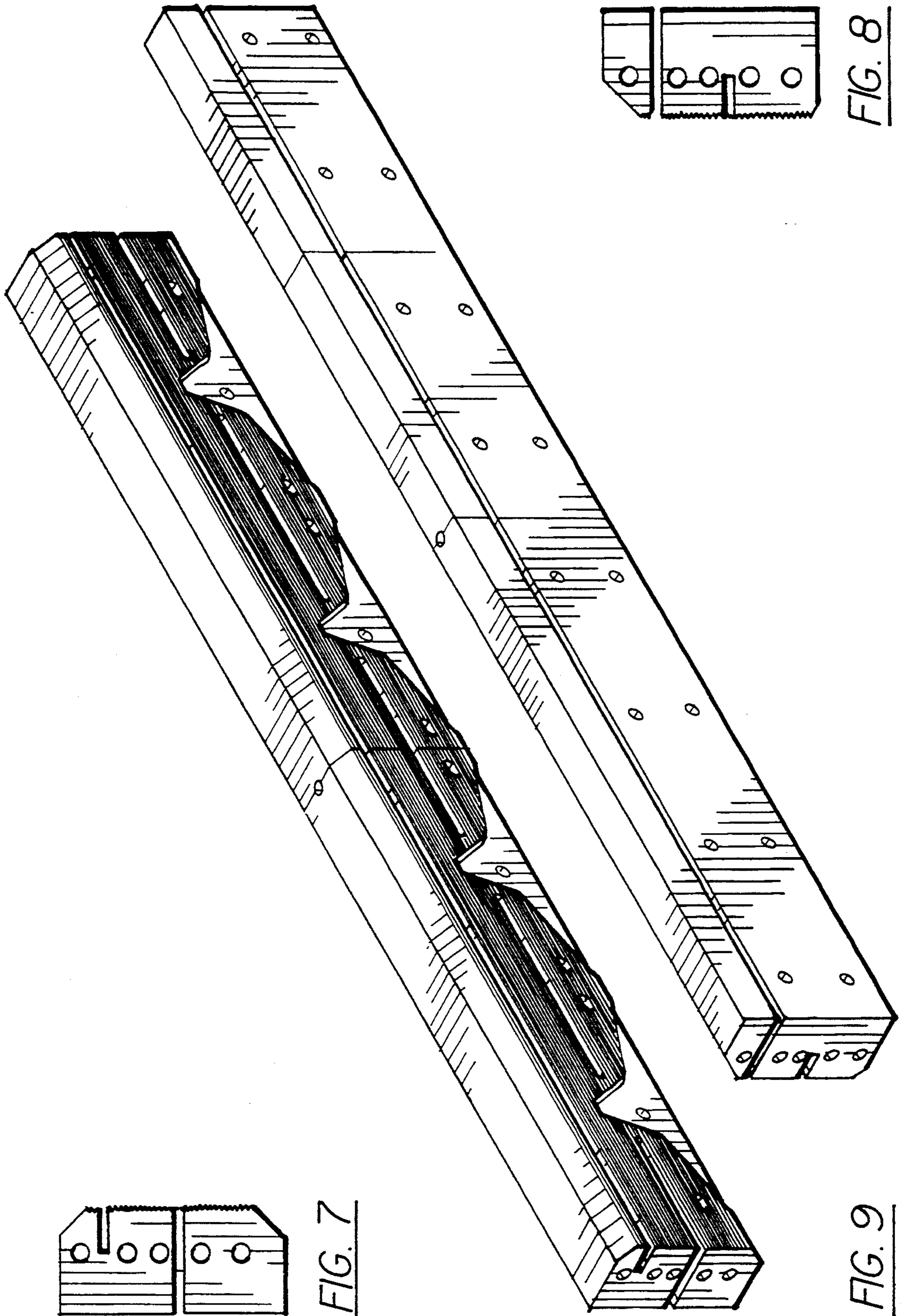


FIG. 7

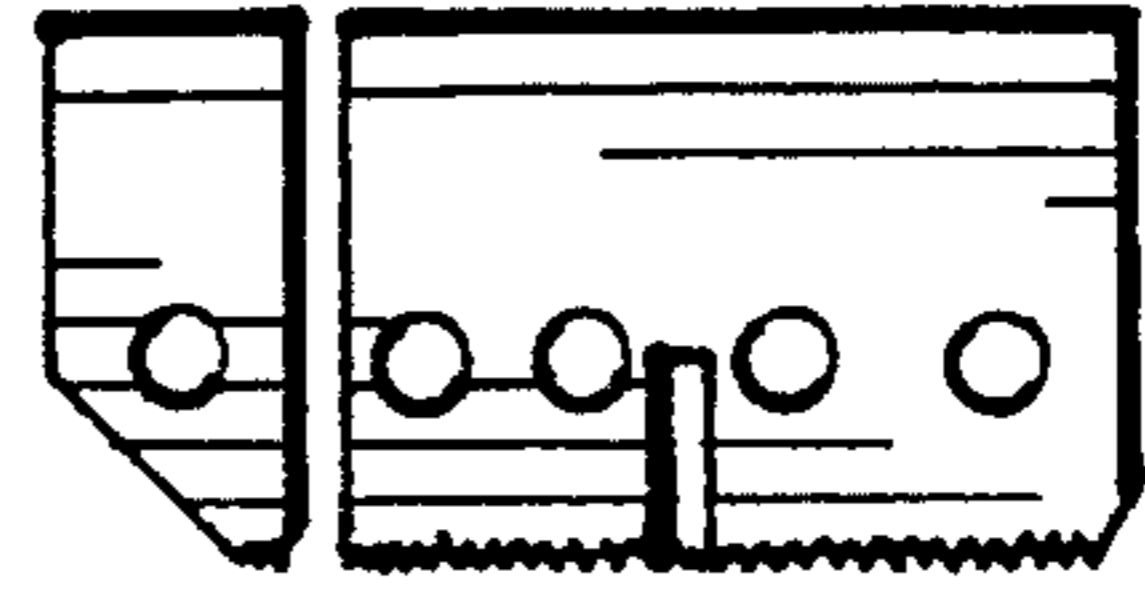


FIG. 8

FIG. 9

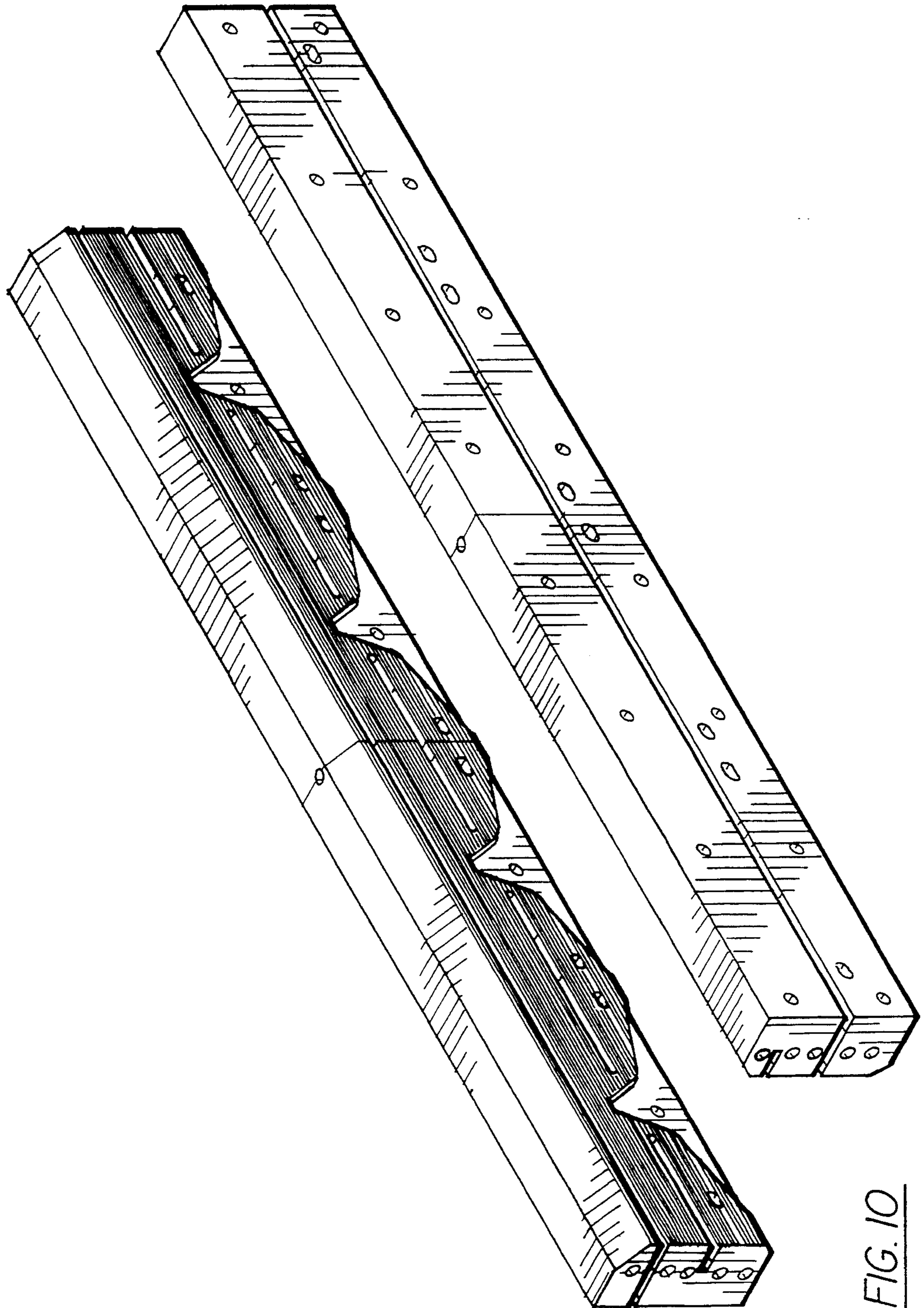


FIG. 10