



US00D356014S

# United States Patent [19] Griffin

[11] Patent Number: **Des. 356,014**

[45] Date of Patent: **\*\* Mar. 7, 1995**

- [54] **ELECTRIC GRASS TRIMMER**
- [75] Inventor: **John Griffin**, Phoenix, Ariz.
- [73] Assignee: **McCulloch Corporation**, Tucson, Ariz.
- [\*\*] Term: **14 Years**
- [21] Appl. No.: **23,293**
- [22] Filed: **May 23, 1994**

### Related U.S. Application Data

- [63] Continuation of Ser. No. 874,561, Apr. 24, 1992, abandoned.
- [52] U.S. Cl. .... **D8/8**
- [58] Field of Search ..... **D8/8; D15/14-18; 30/276, 347, 390, DIG. 5; 56/12.7, 234, 239, 249, 255, 289, 295**

### References Cited

#### U.S. PATENT DOCUMENTS

D. 301,009	5/1989	Pilatowicz et al. ....	D8/8
D. 317,852	7/1991	Fujiwara et al. ....	D8/8
D. 327,483	6/1992	Kwong .....	D15/16
4,651,422	3/1987	Everts .....	D8/8
4,825,548	5/1989	Driggers .....	D8/8
4,856,194	8/1989	Lee .....	30/276
4,916,886	4/1990	Nakamura et al. ....	30/276
4,953,294	9/1990	Dohse .....	30/276
5,063,673	11/1991	Webster .....	30/276
5,181,369	1/1993	Everts .....	36/12.7
5,265,341	11/1993	Kikuchi .....	30/276

#### OTHER PUBLICATIONS

Lawn Boy Catalog, ©1987 p. 10 Model 1400CL.

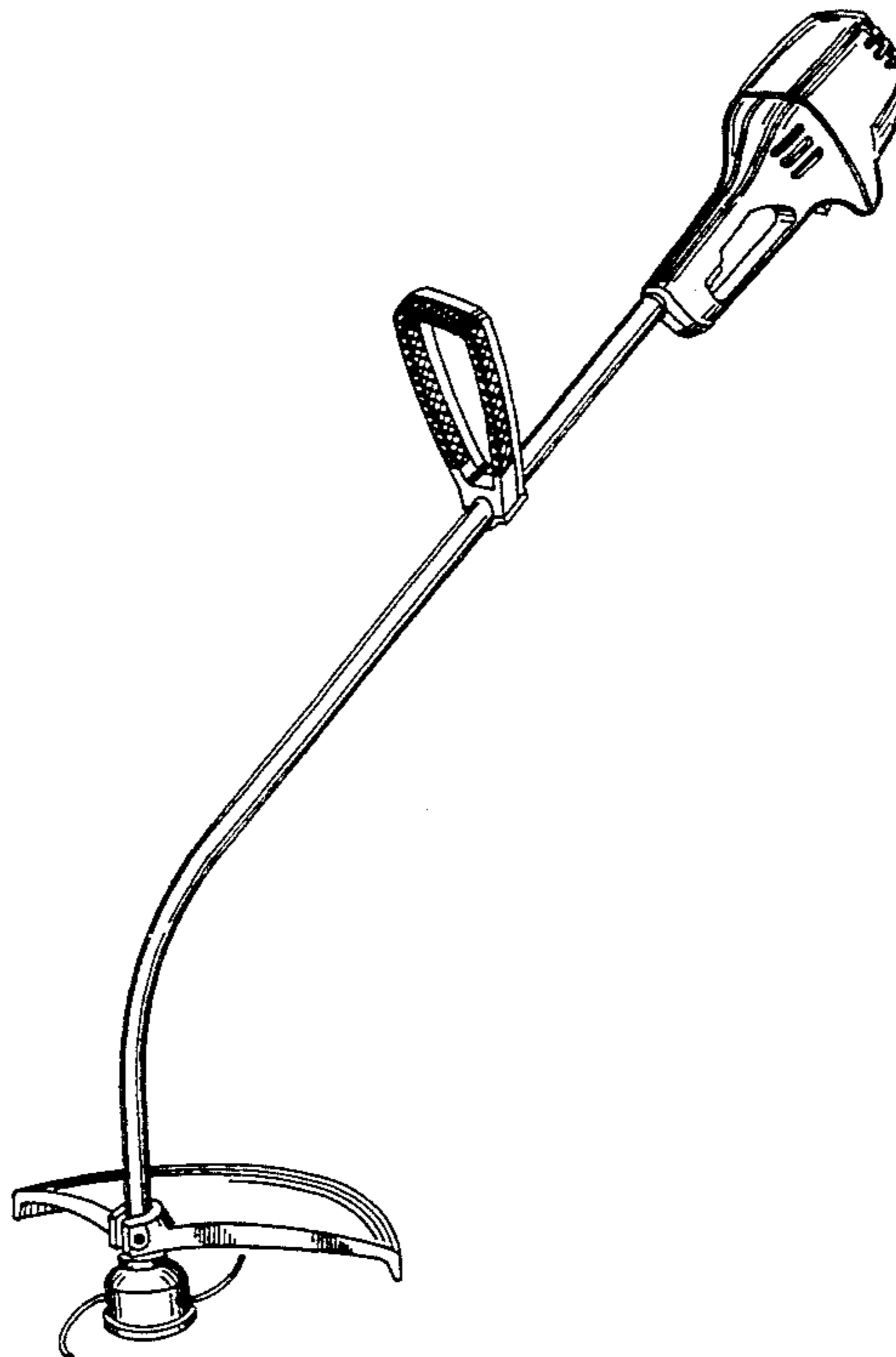
*Primary Examiner*—B. J. Bullock  
*Assistant Examiner*—Sandra Morris  
*Attorney, Agent, or Firm*—Marshall, O'Toole, Gerstein, Murray & Borun

### [57] CLAIM

The ornamental design for an electric grass trimmer, as shown and described.

### DESCRIPTION

FIG. 1 is a perspective view of an electric grass trimmer showing my new design;  
 FIG. 2 is a side view of the grip portion thereof, shown broken away for ease of illustration, the opposite side being a mirror image;  
 FIG. 3 is a top view of the grip portion thereof;  
 FIG. 4 is a bottom view of the grip portion thereof;  
 FIG. 5 is a front view of the grip portion thereof;  
 FIG. 6 is a rear view of the grip portion thereof;  
 FIG. 7 is a top plan view of the bottom portion thereof, shown broken away for ease of illustration;  
 FIG. 8 is a front view of the bottom portion thereof;  
 FIG. 9 is a left view of the bottom portion thereof;  
 FIG. 10 is a bottom view of the bottom portion thereof;  
 FIG. 11 is a rear view of the bottom portion thereof;  
 FIG. 12 is a right side view of the bottom portion thereof;  
 FIG. 13 is a front view of the secondary handle thereof, shown broken away for ease of illustration;  
 FIG. 14 is a side view of the secondary handle thereof;  
 FIG. 15 is a rear view of the secondary handle thereof;  
 FIG. 16 is a top view of the secondary handle thereof; and,  
 FIG. 17 is a bottom view of the secondary handle thereof.



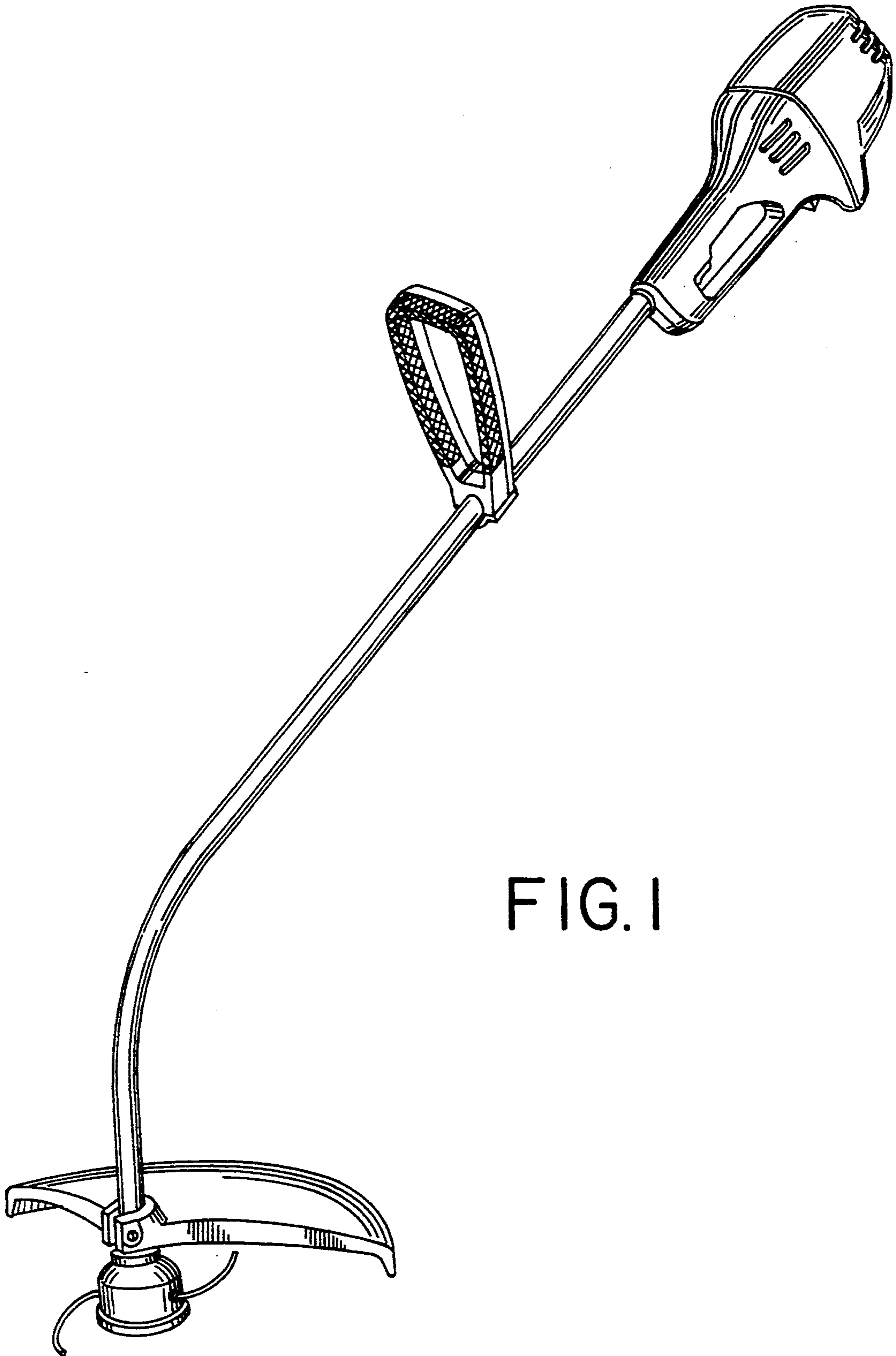


FIG. 1

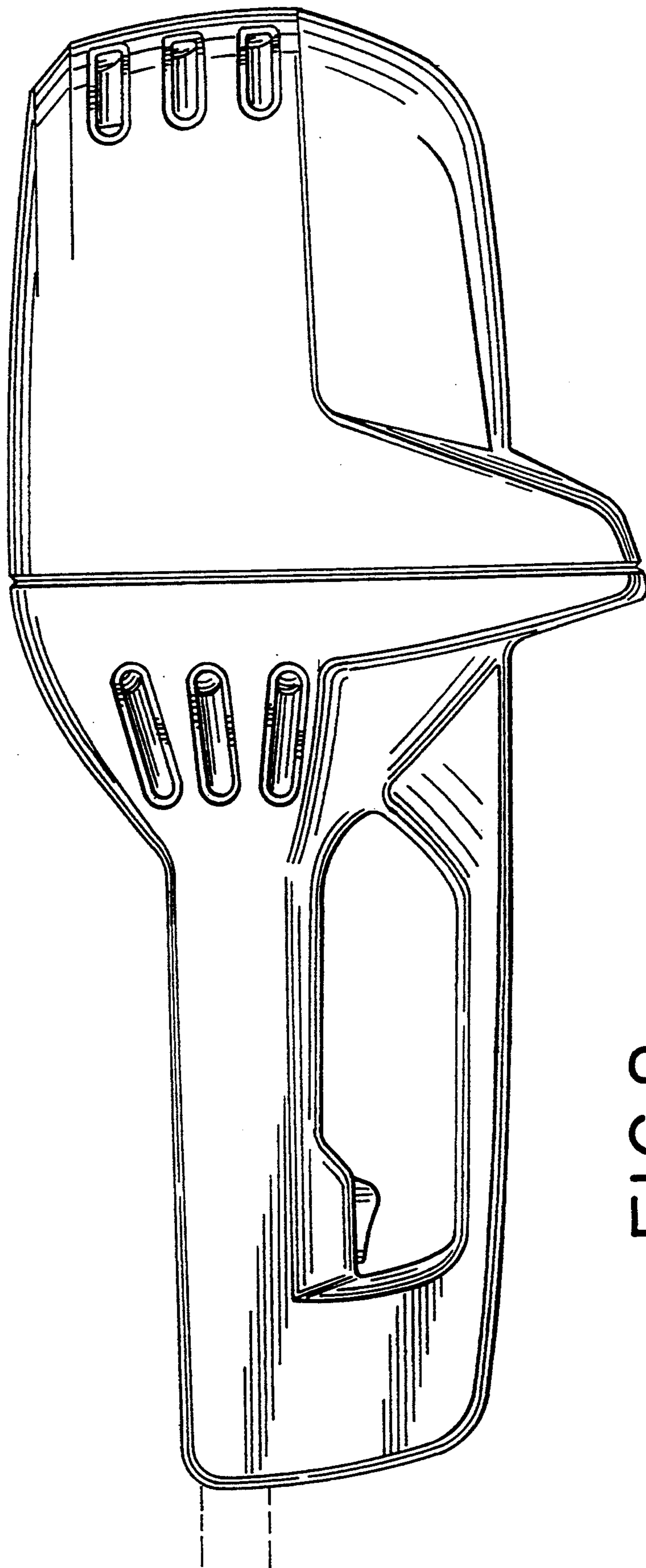


FIG. 2



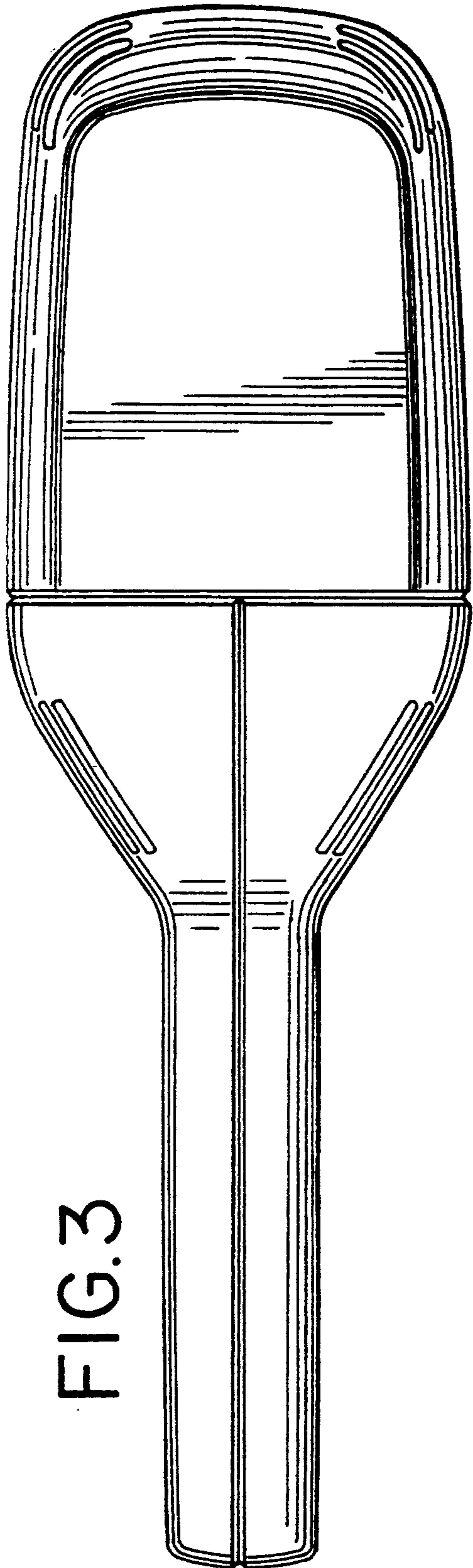


FIG. 3

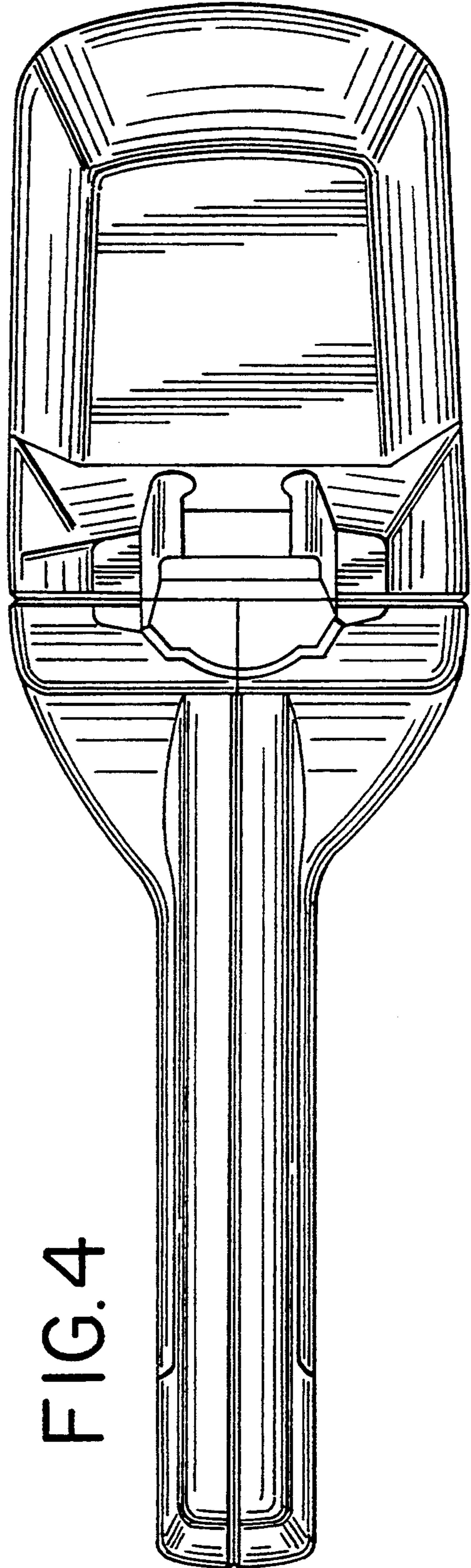


FIG. 4

FIG.6

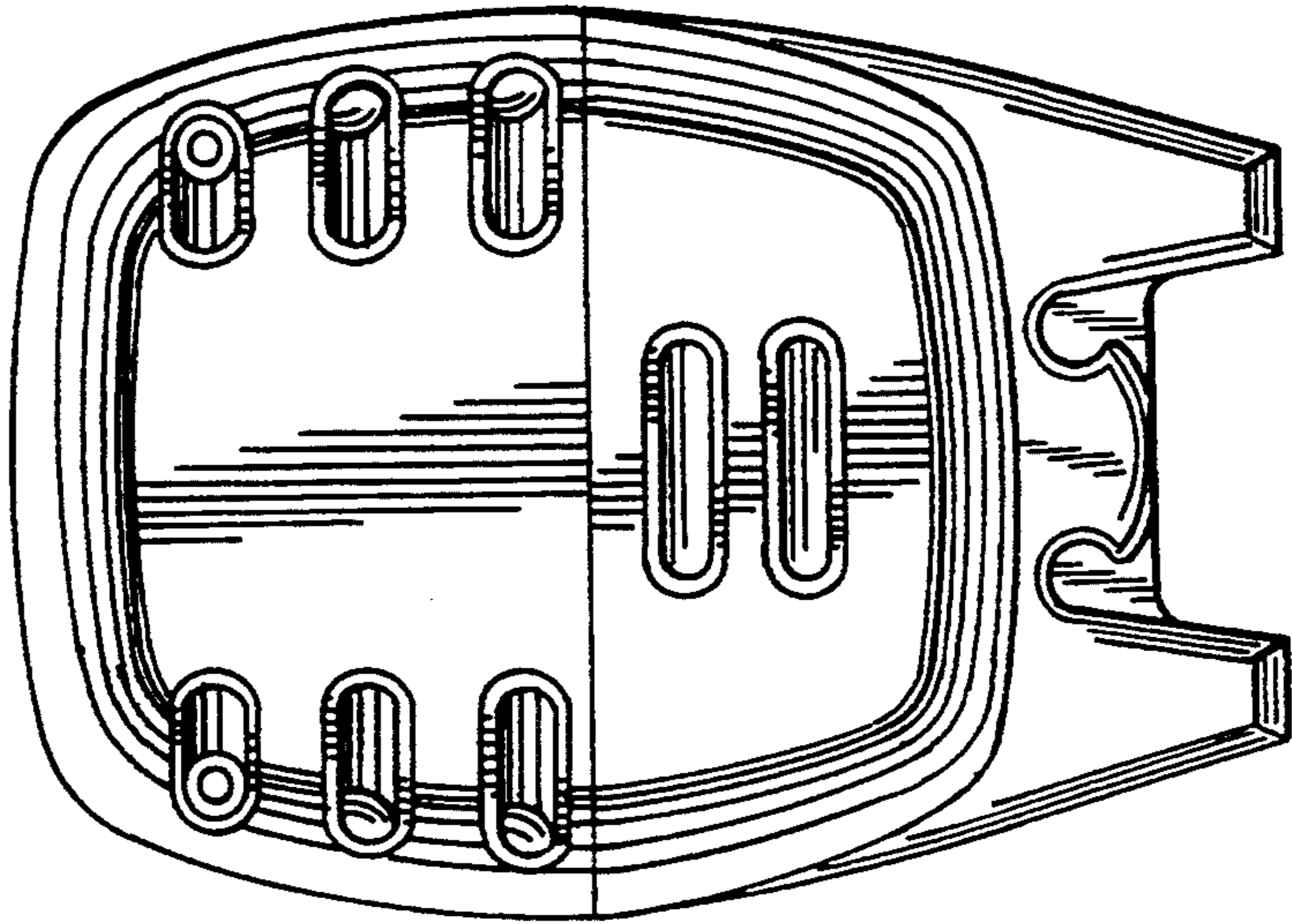


FIG.5

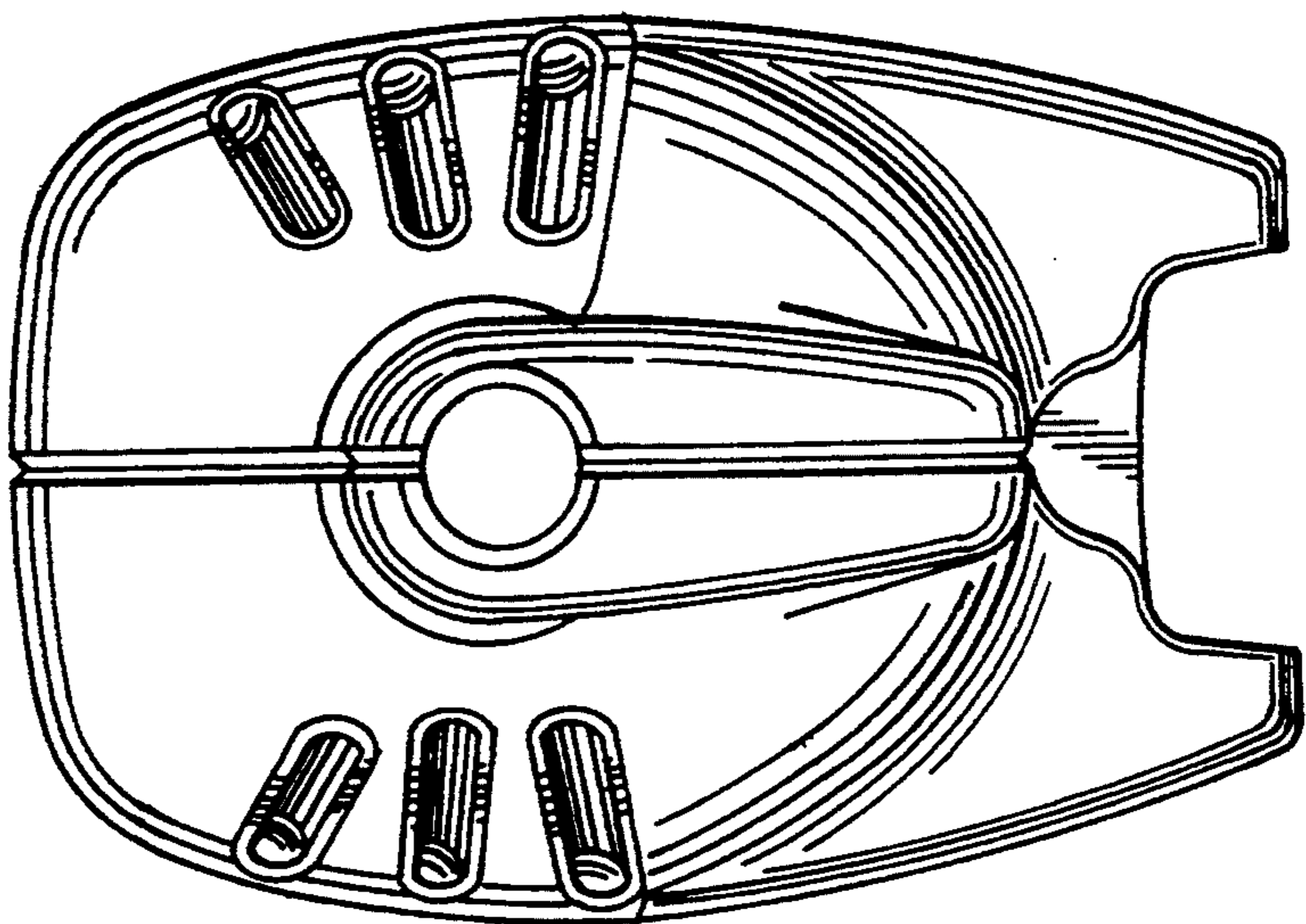


FIG. 7

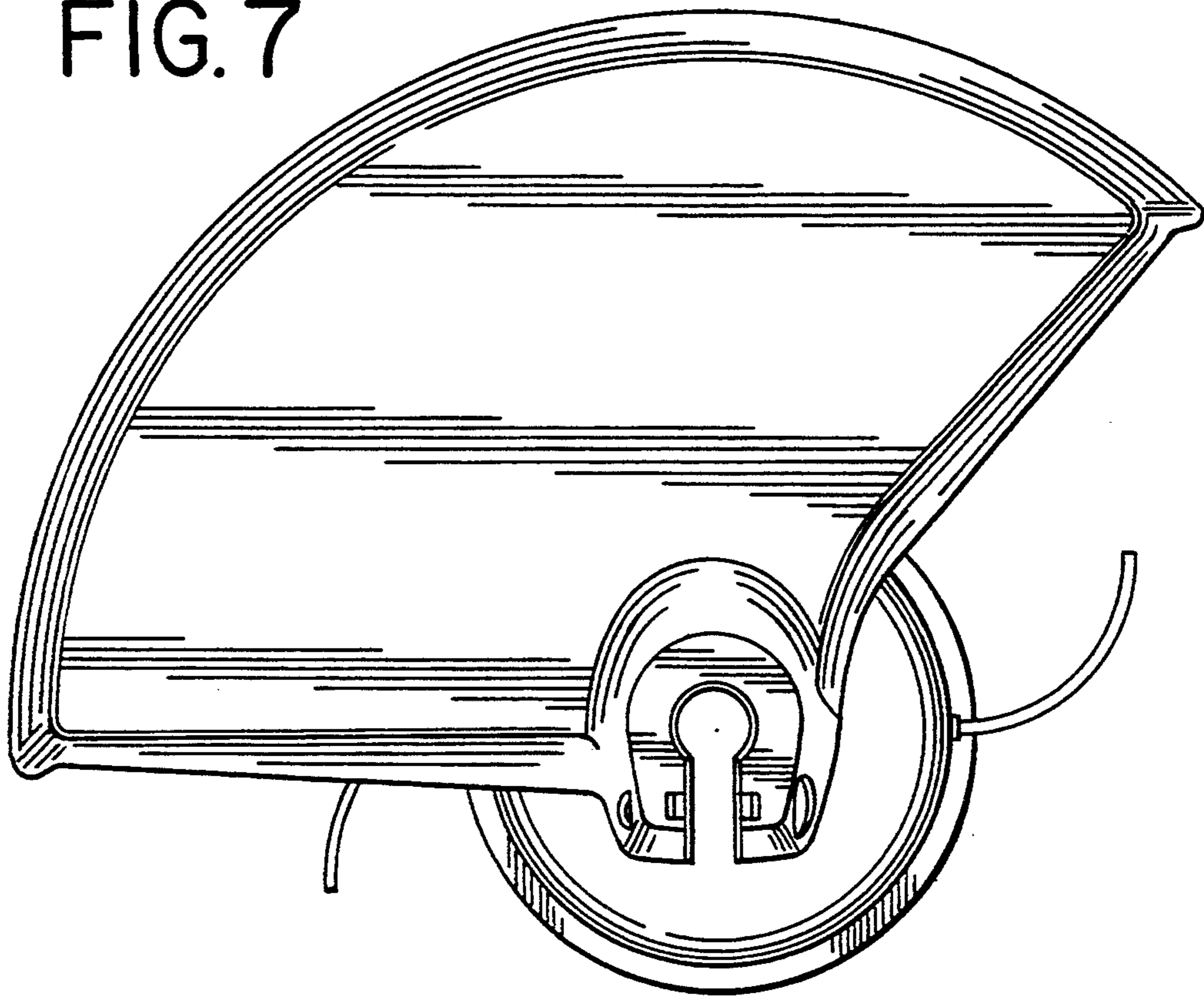


FIG. 8

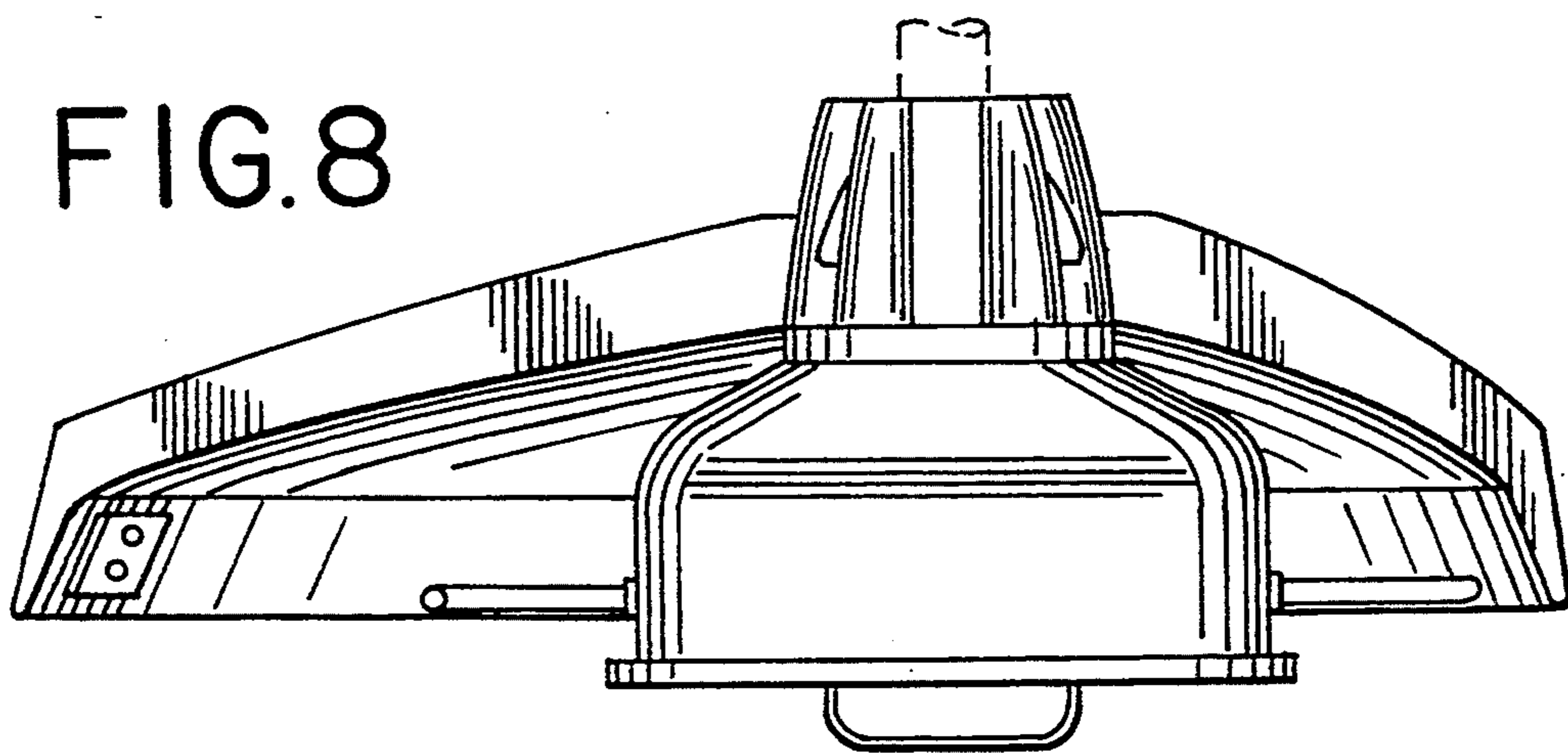


FIG. 9

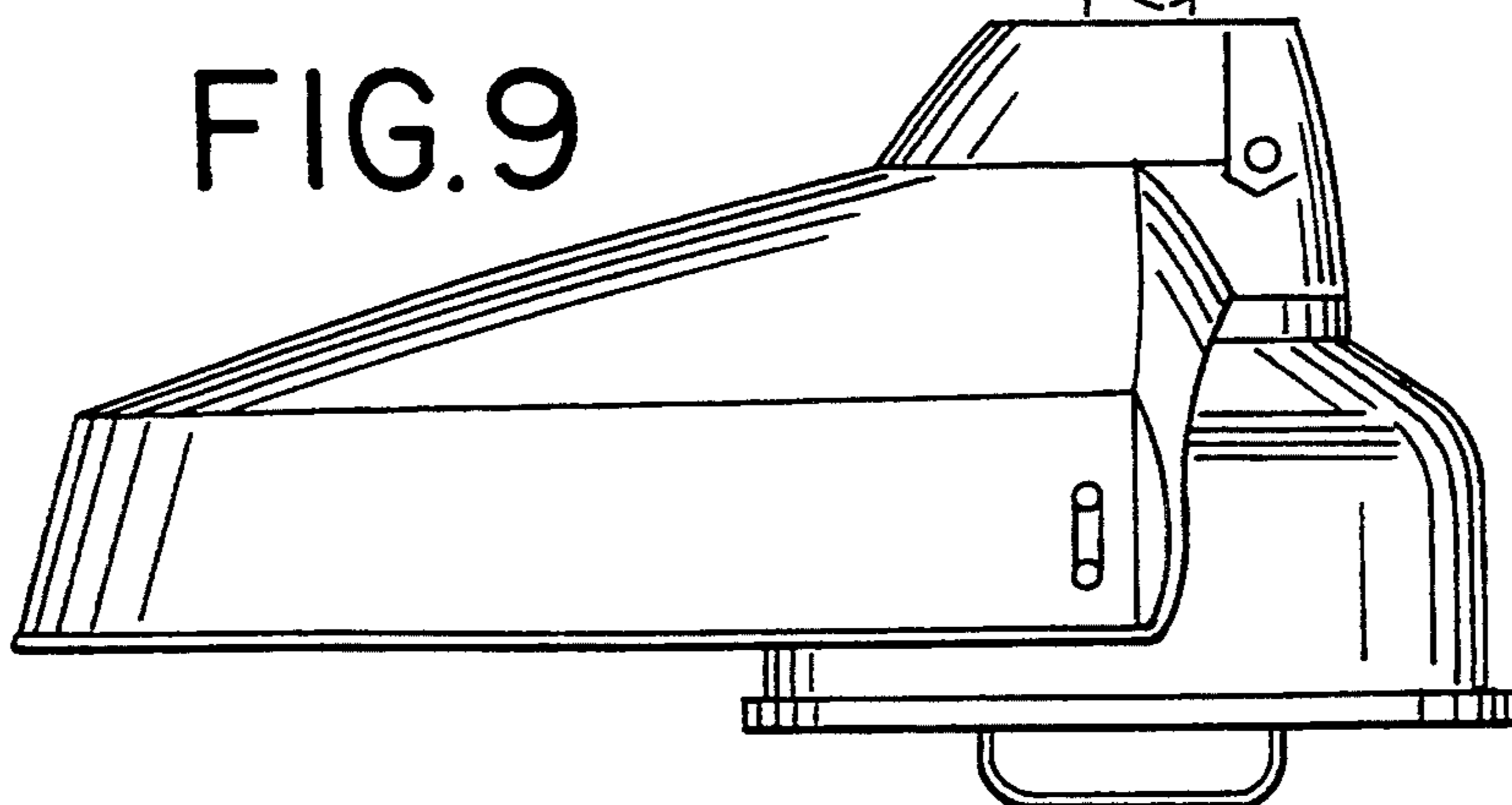




FIG.10

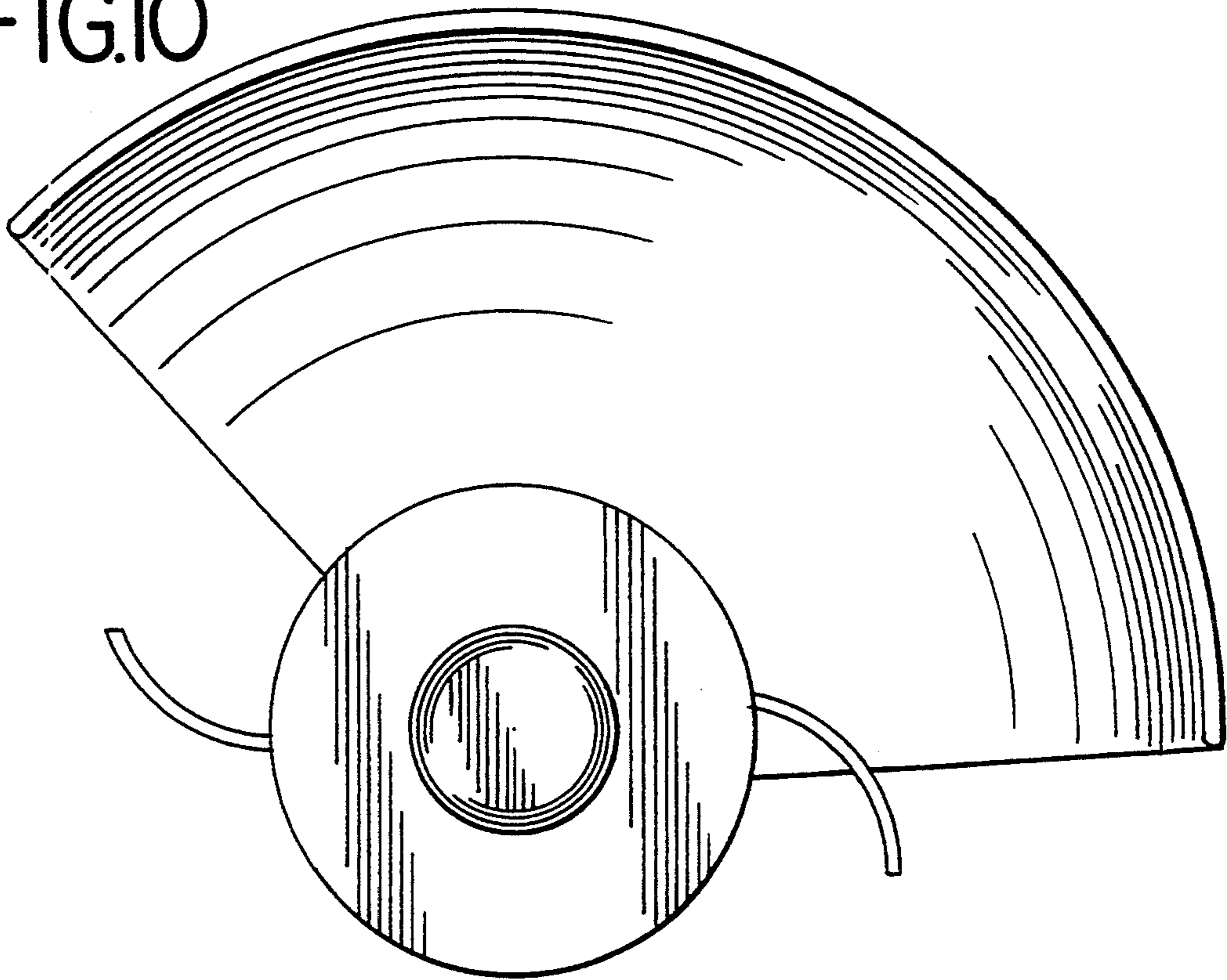


FIG.11

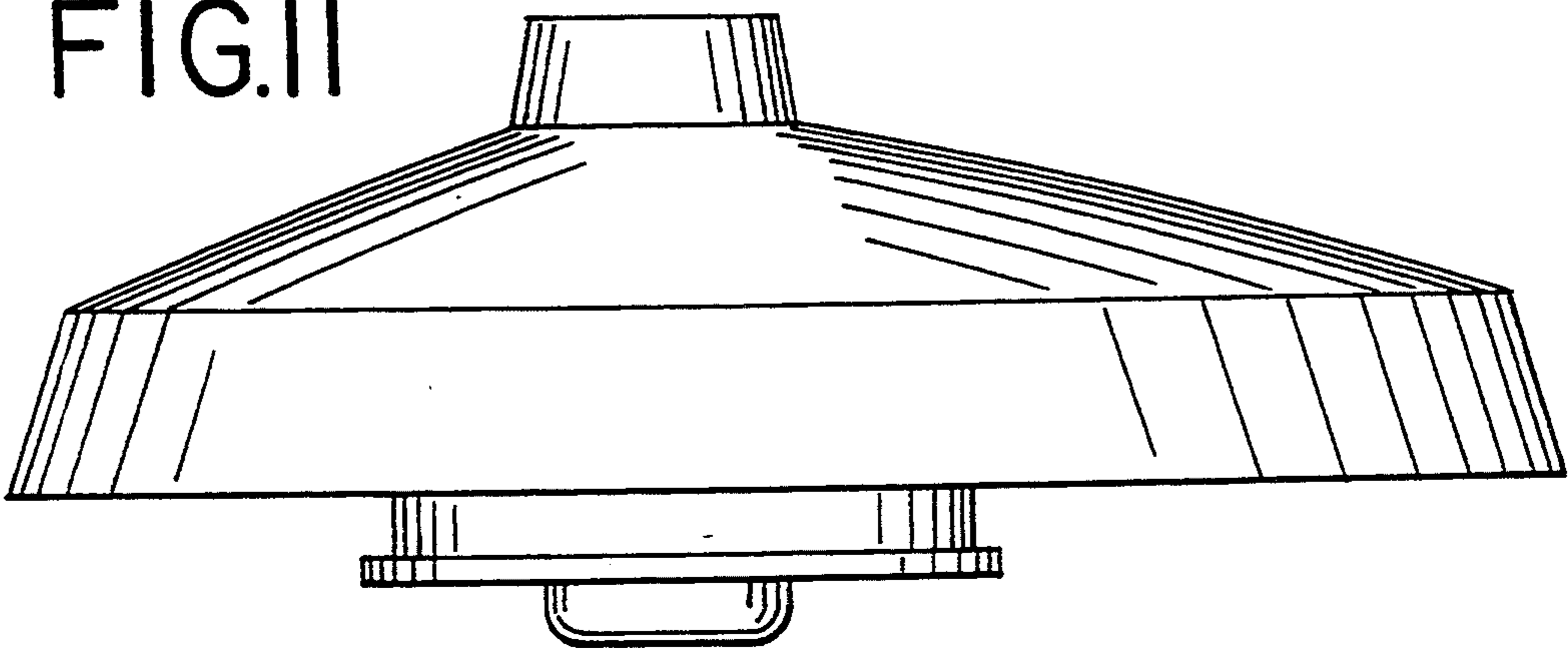


FIG.12

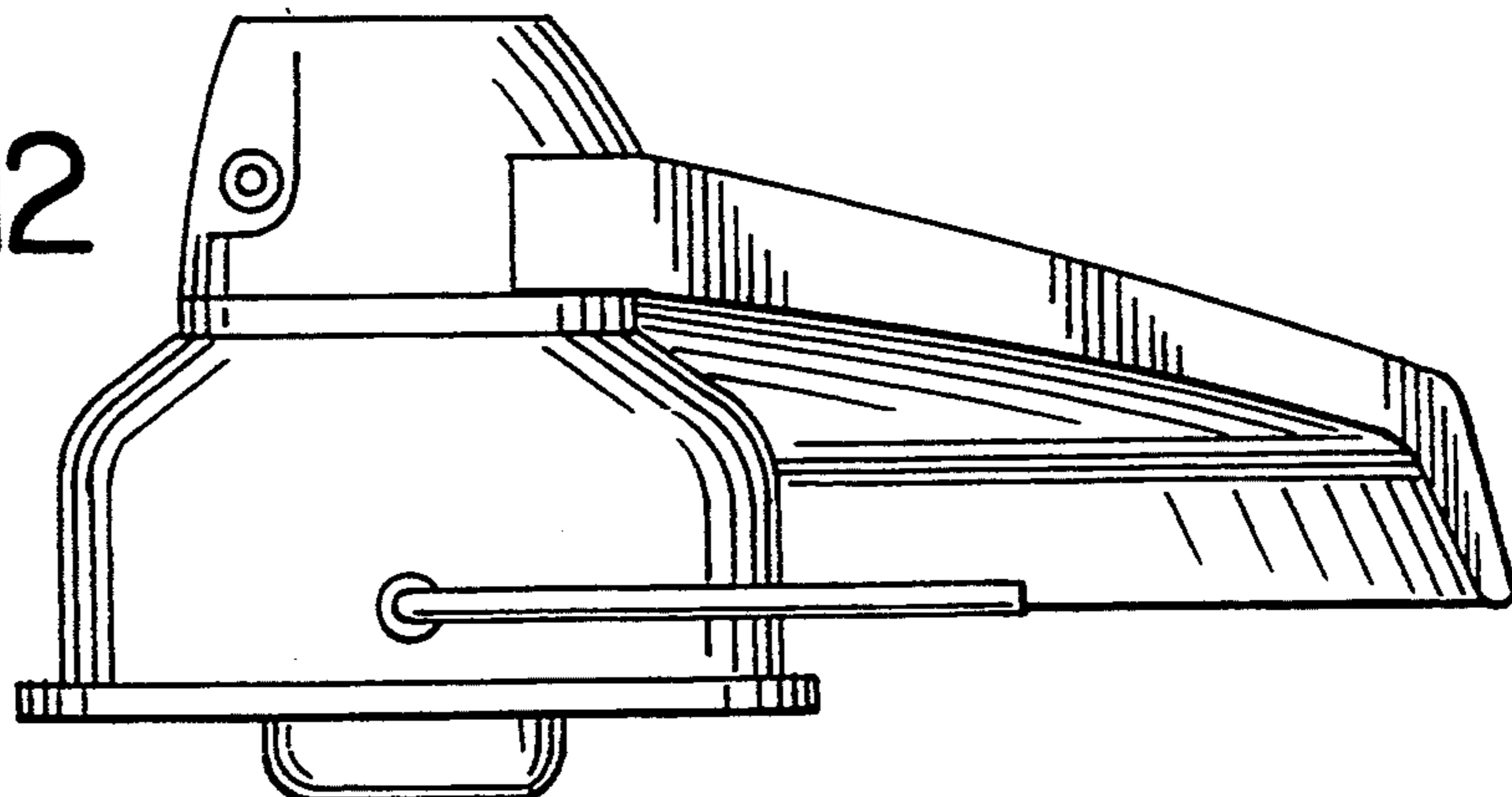


FIG.16

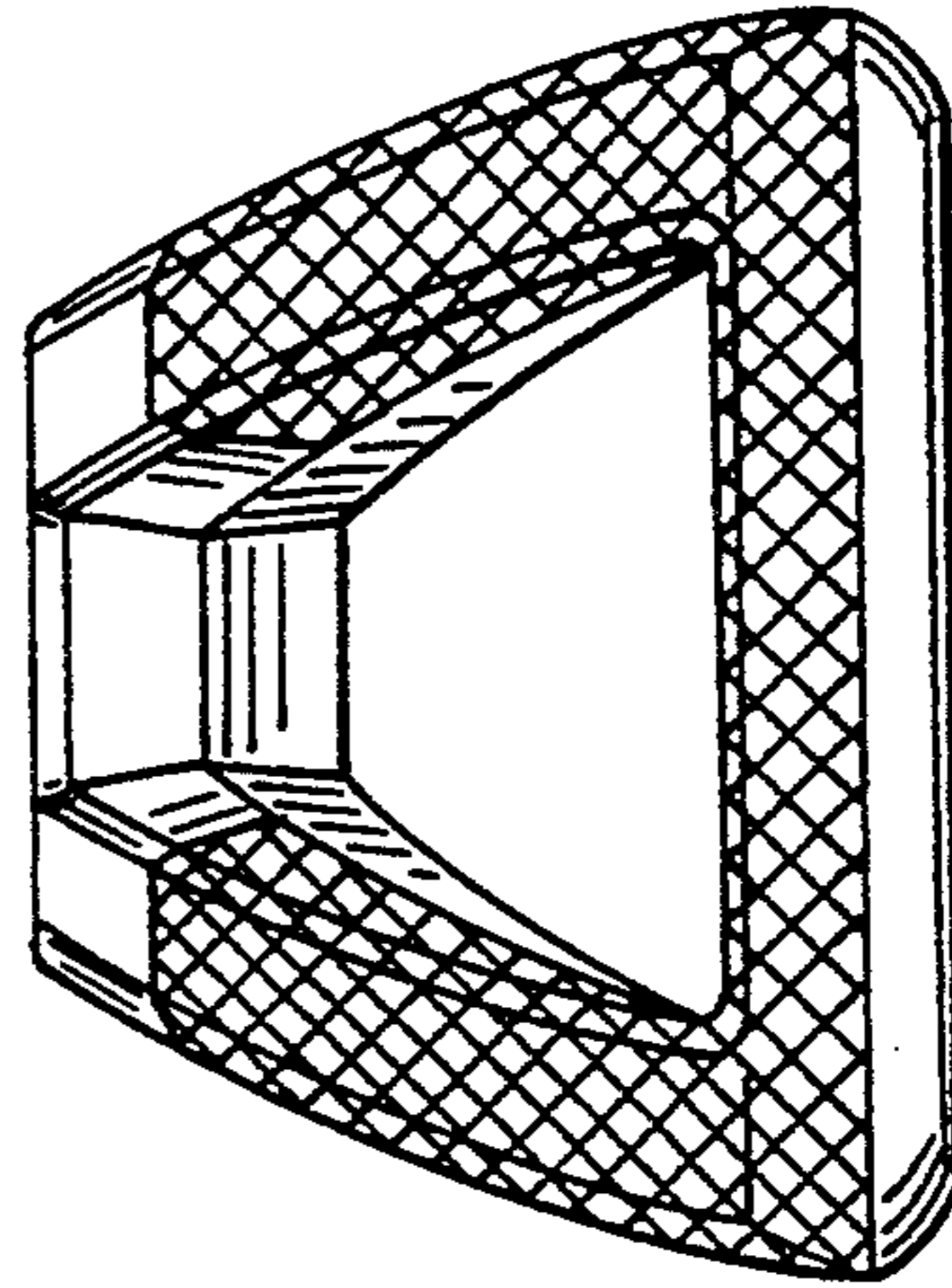


FIG.13

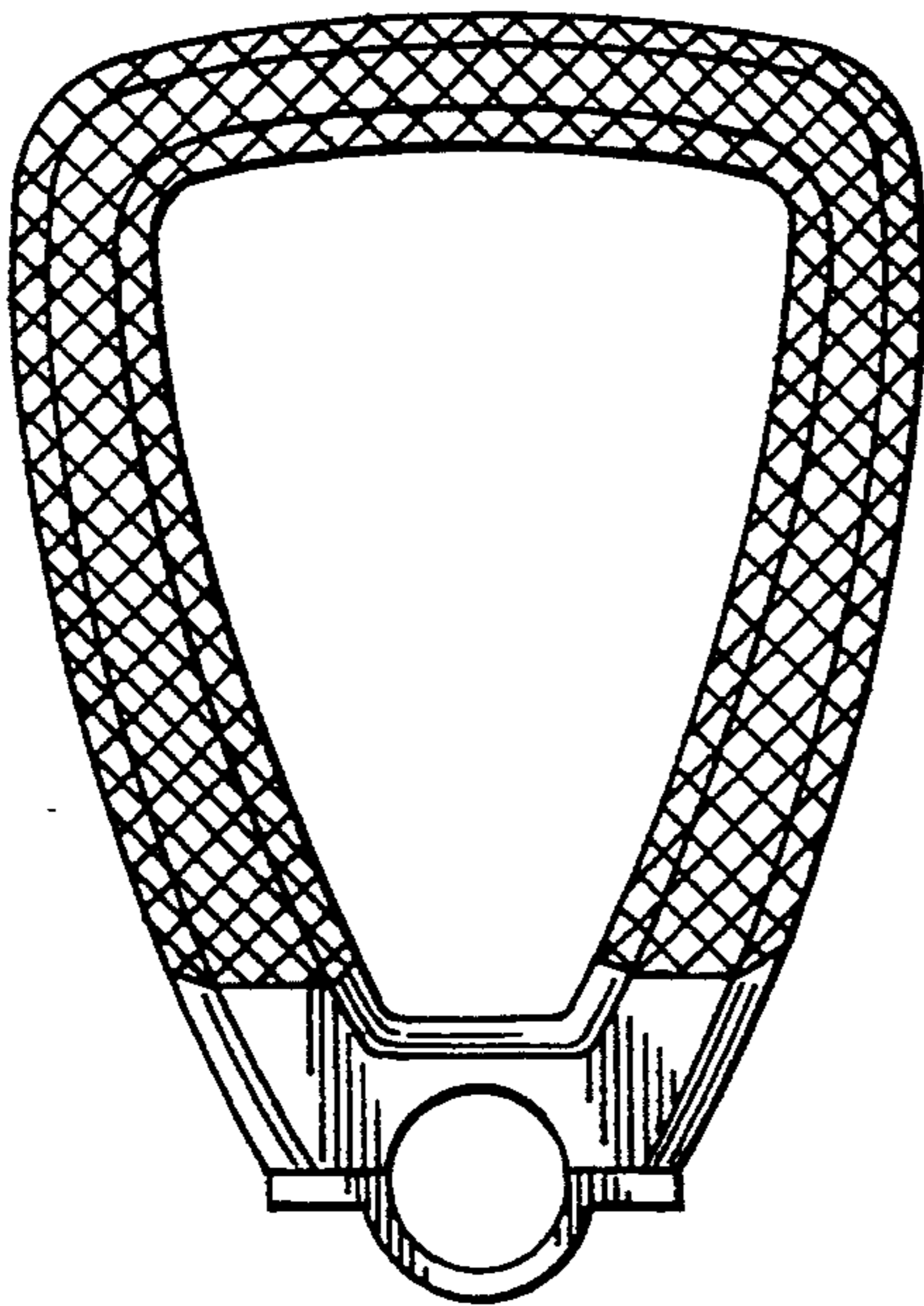


FIG.14

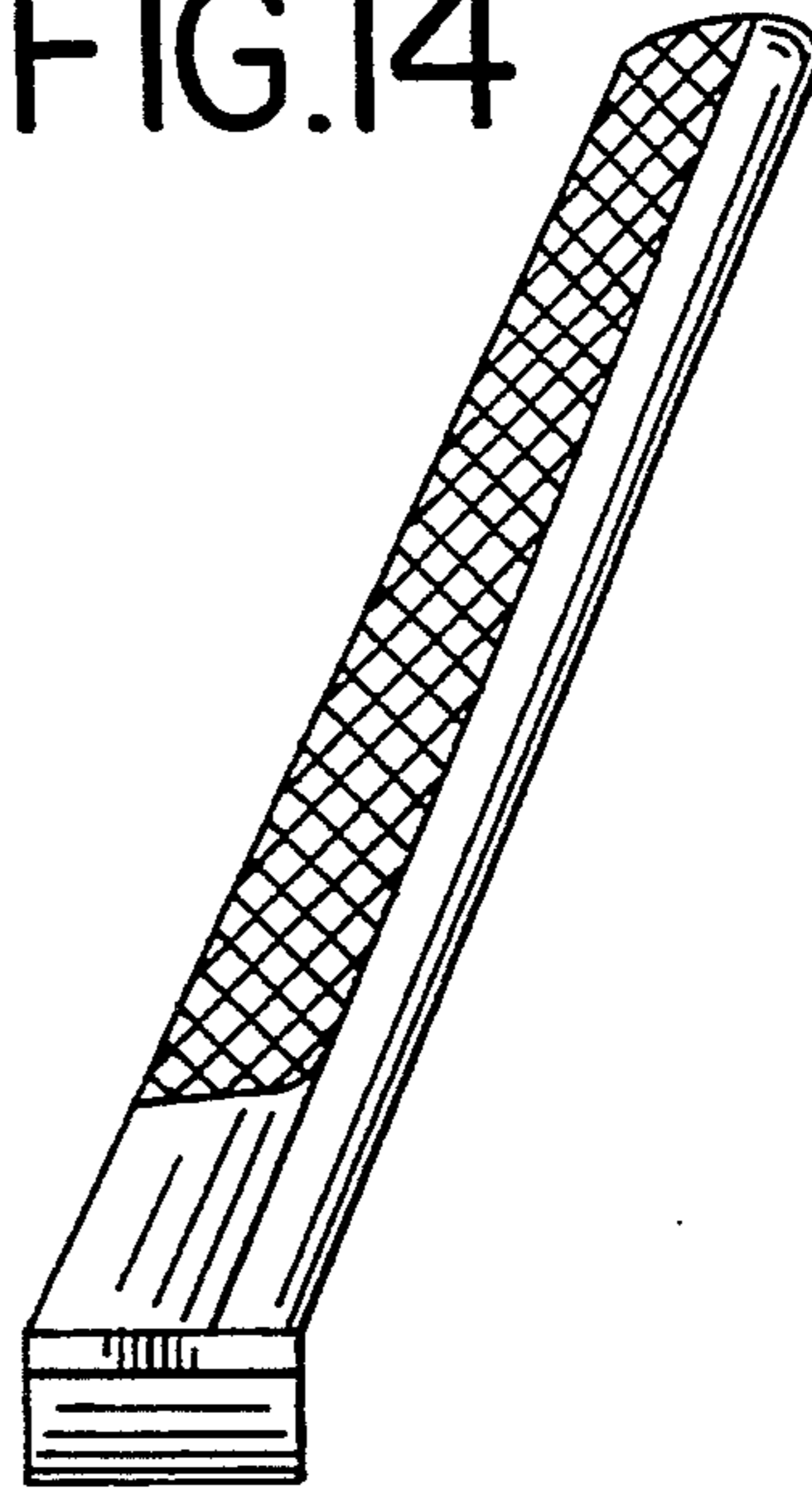


FIG.15

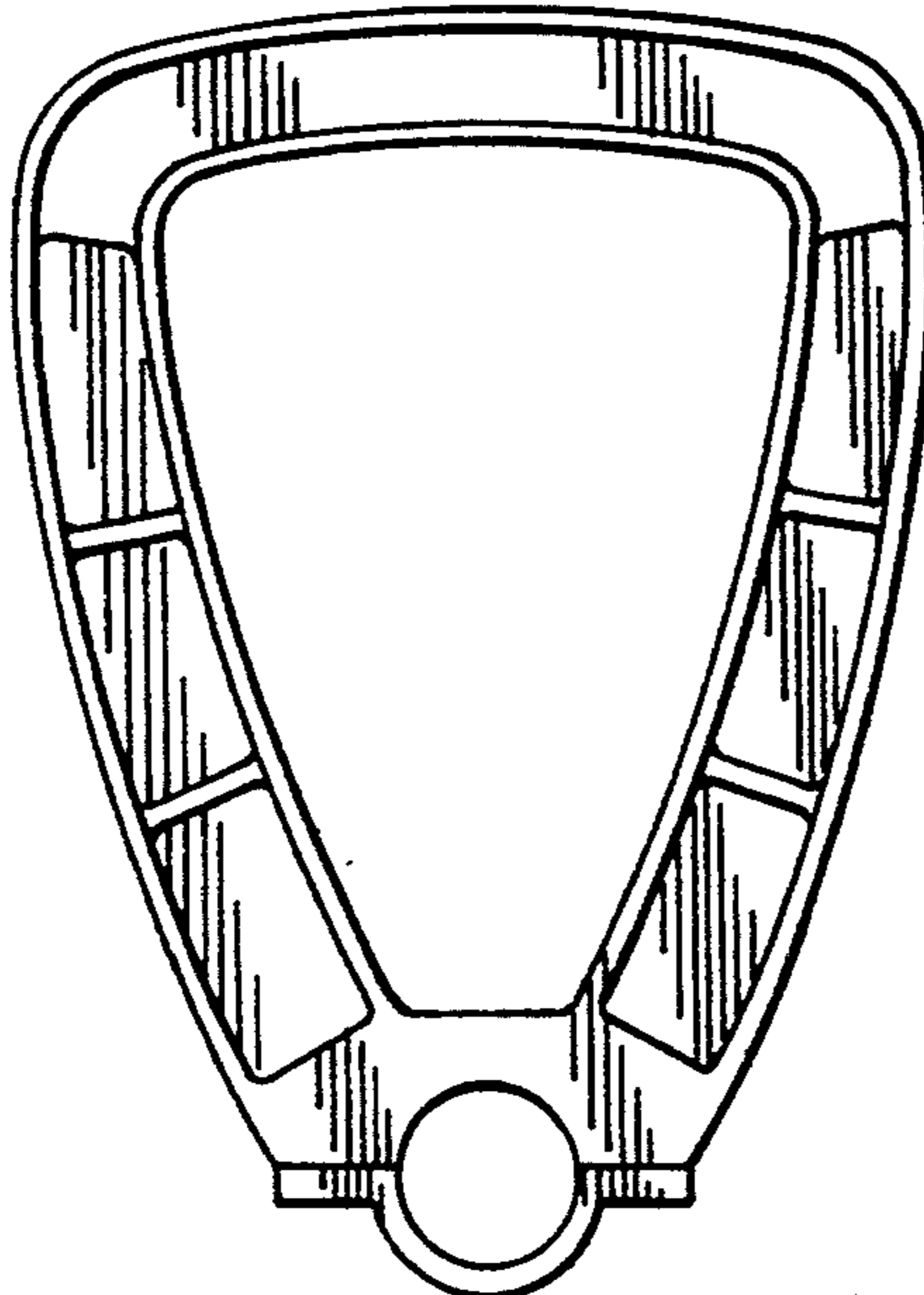


FIG.17

