



US00D356007S

United States Patent [19]

[11] Patent Number: **Des. 356,007**

Lu

[45] Date of Patent: **** Mar. 7, 1995**

[54] **ELECTRIC PASTA MACHINE**

4,406,603 9/1983 Williams D7/376 X

[75] Inventor: **Li-Hua Lu**, Taoyuan, Taiwan, Prov. of China

Primary Examiner—Nelson C. Holtje
Assistant Examiner—Caron D. Veynar
Attorney, Agent, or Firm—Poms, Smith, Lande & Rose

[73] Assignee: **Eloofa Industries Co., Ltd.**, Hsiang, Taiwan, Prov. of China

[57] **CLAIM**

[**] Term: **14 Years**

The ornamental design for electric pasta machine, as shown and described.

[21] Appl. No.: **11,801**

DESCRIPTION

[22] Filed: **Aug. 13, 1993**

[52] U.S. Cl. **D7/376**

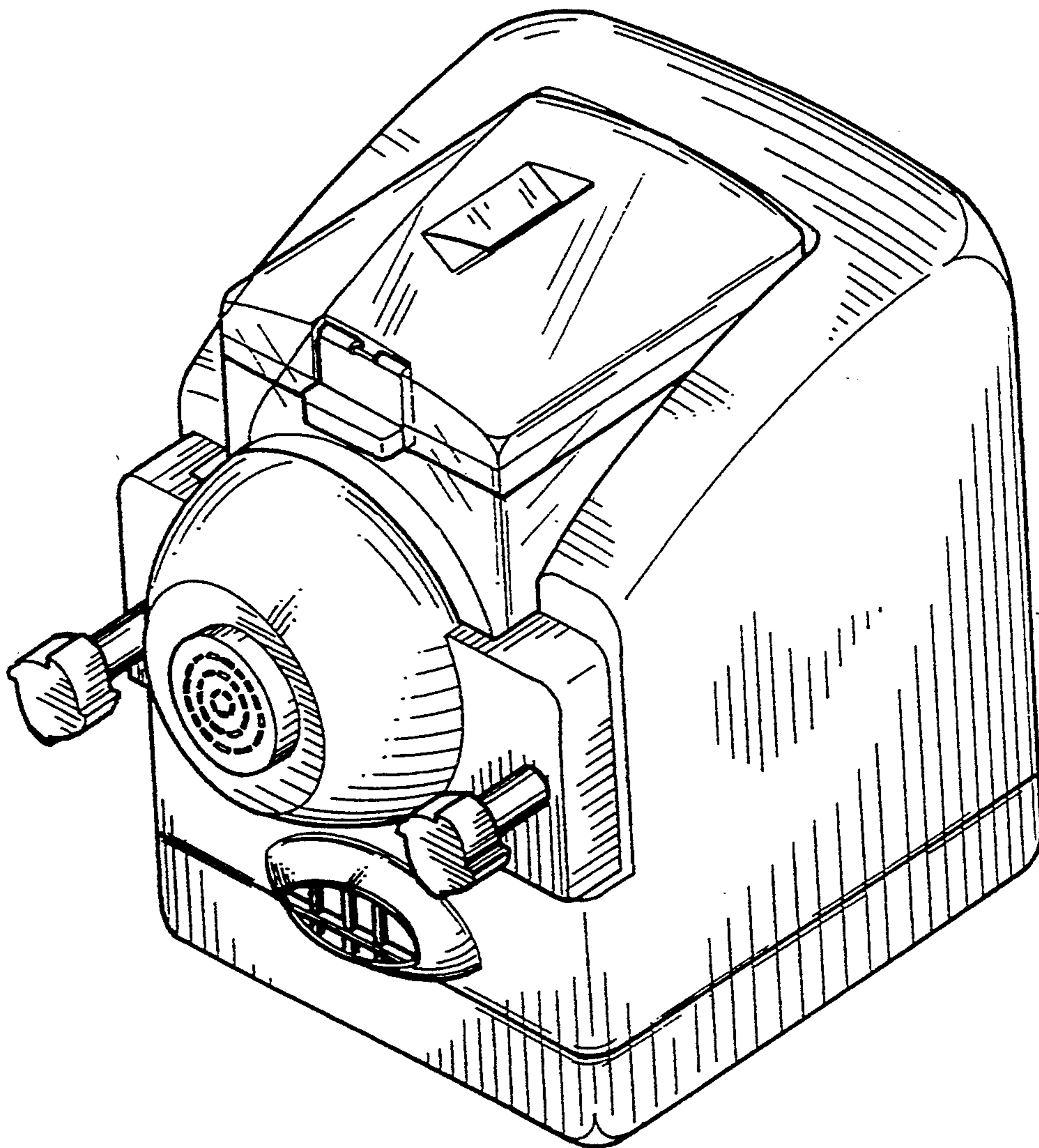
[58] Field of Search D7/376, 381, 383, 384, D7/386; 425/205, 191, 376 R, 190

FIG. 1 is a perspective view of the electric pasta machine showing my new design;
FIG. 2 is a front elevational view thereof;
FIG. 3 is a rear elevational view thereof;
FIG. 4 is a right side elevational view thereof;
FIG. 5 is a left side elevational view thereof;
FIG. 6 is a top view thereof, the broken line showing of a mixing blade is environmental only and forms no part of the claimed design; and,
FIG. 7 is a bottom view thereof.

[56] **References Cited**

U.S. PATENT DOCUMENTS

- D. 265,715 8/1982 Osrow et al. D7/376
- D. 267,771 2/1983 Cavalli D7/376



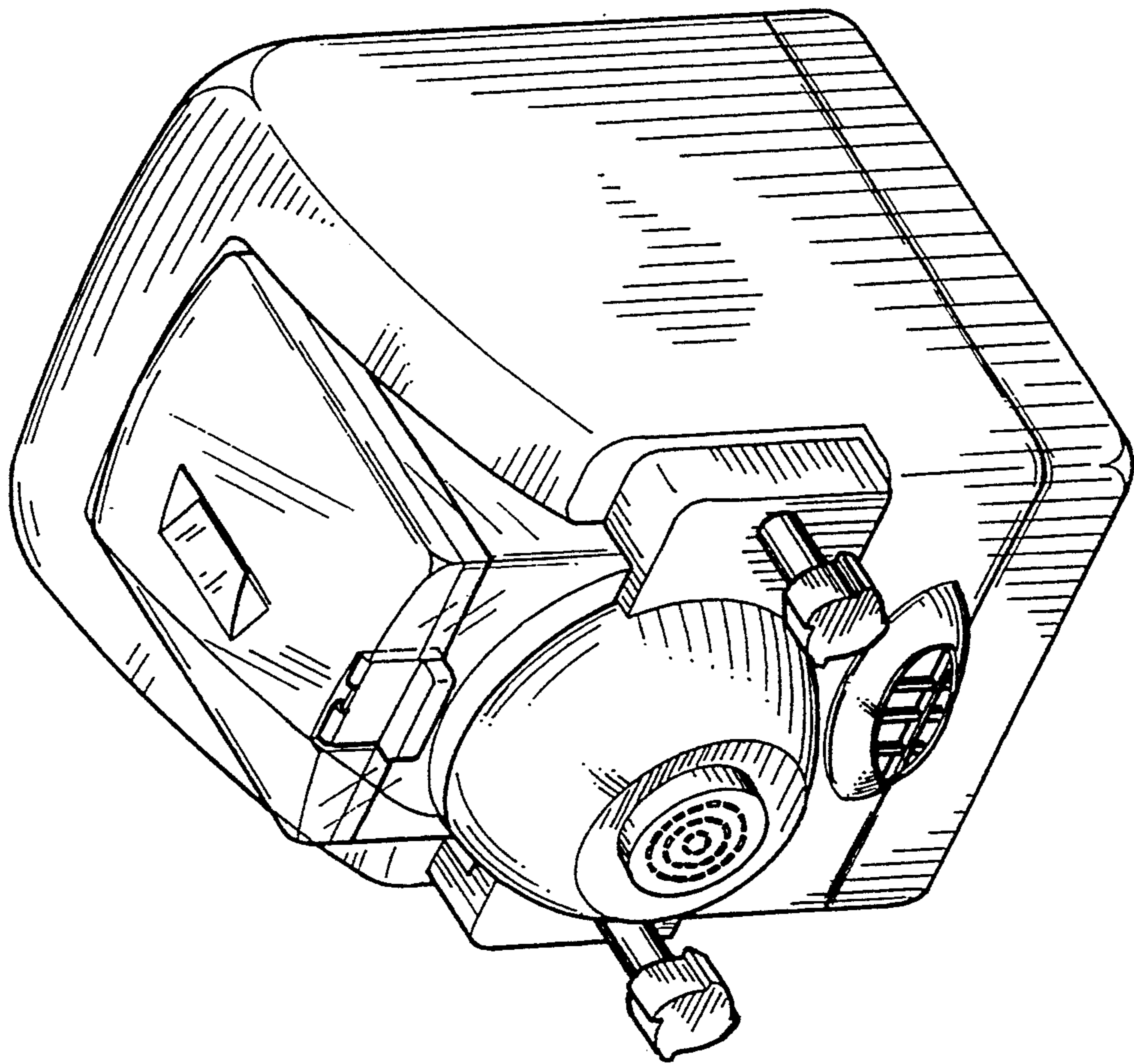


FIG.1

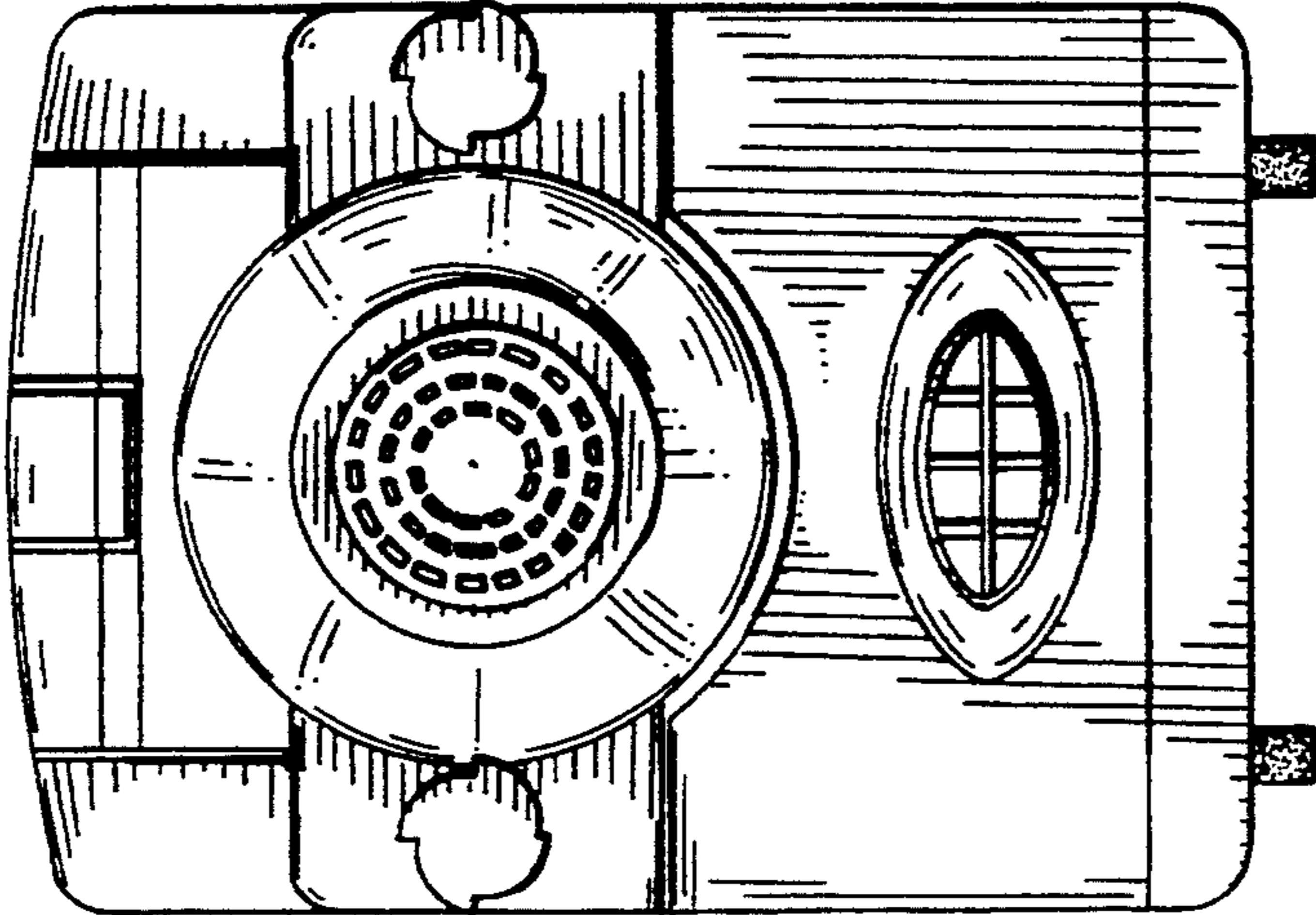


FIG. 2

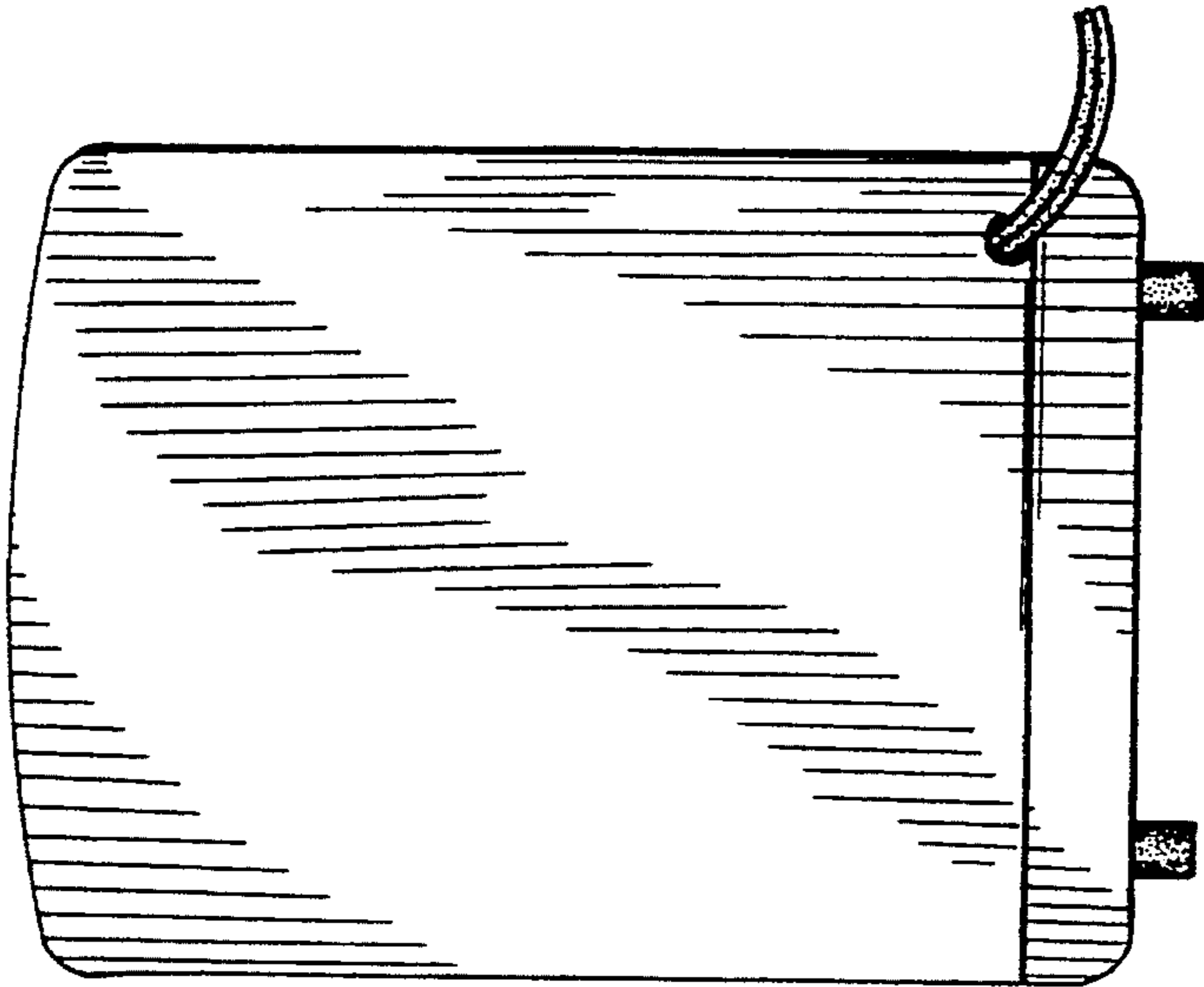


FIG.3

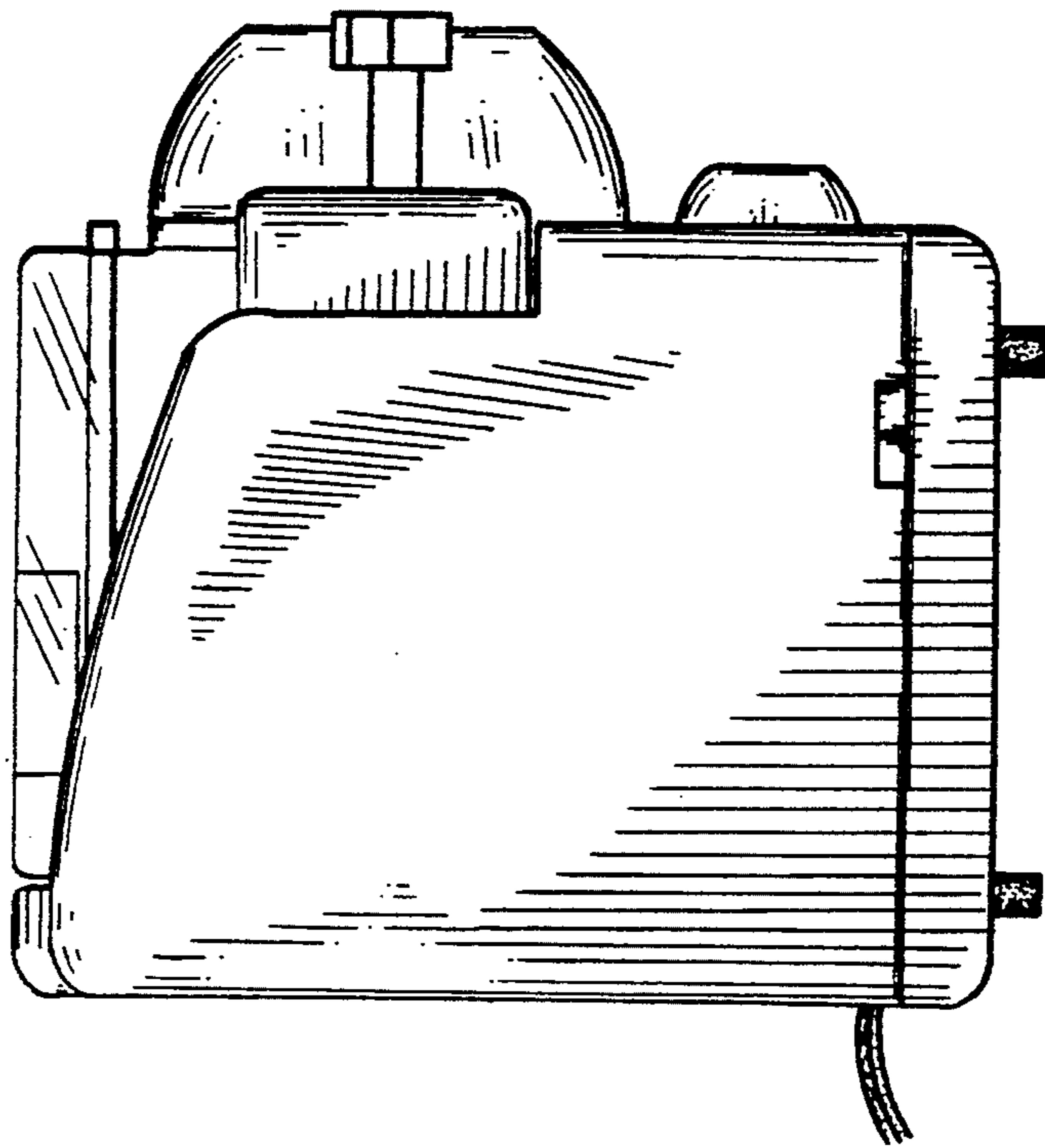


FIG.4

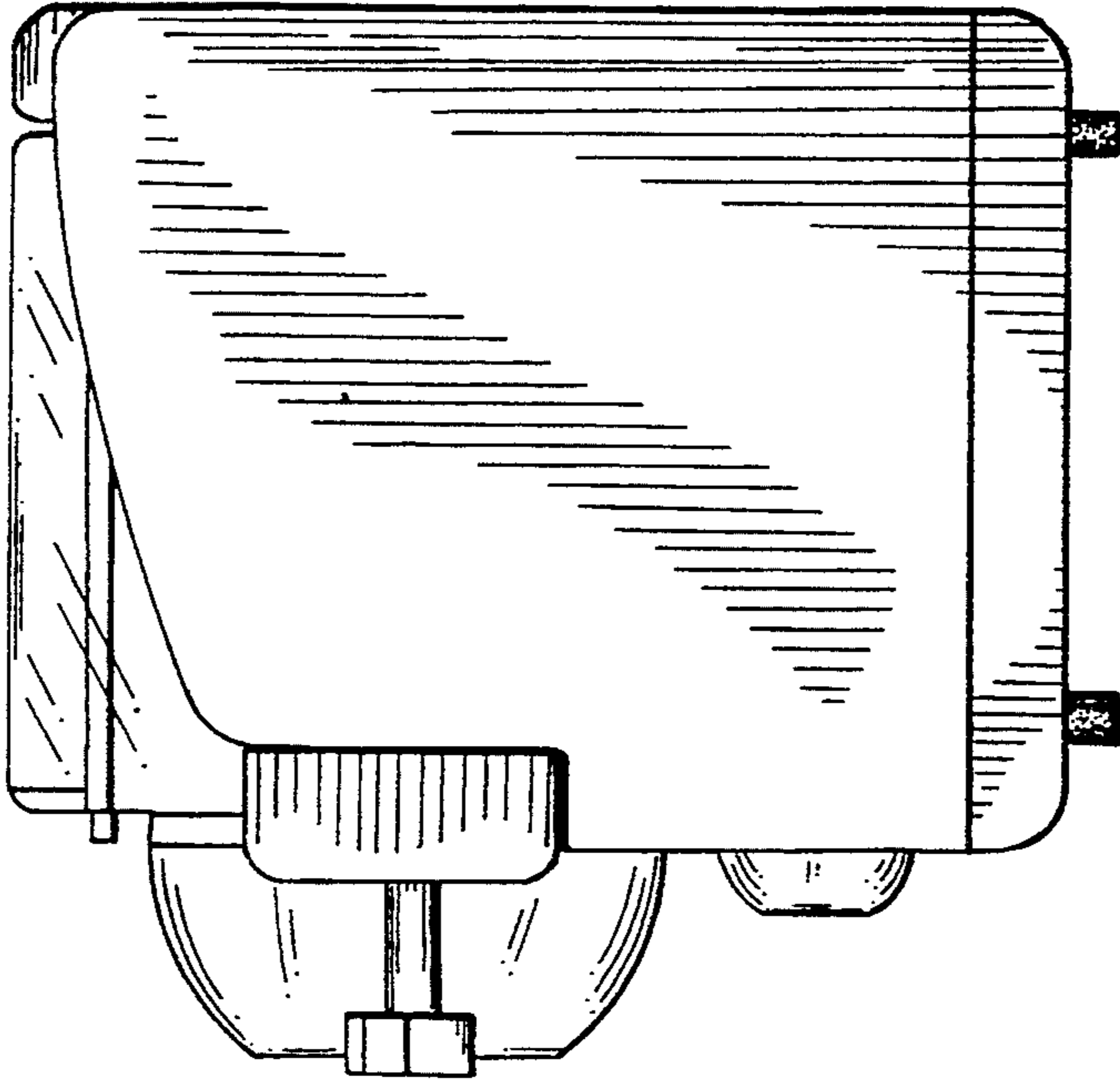


FIG. 5

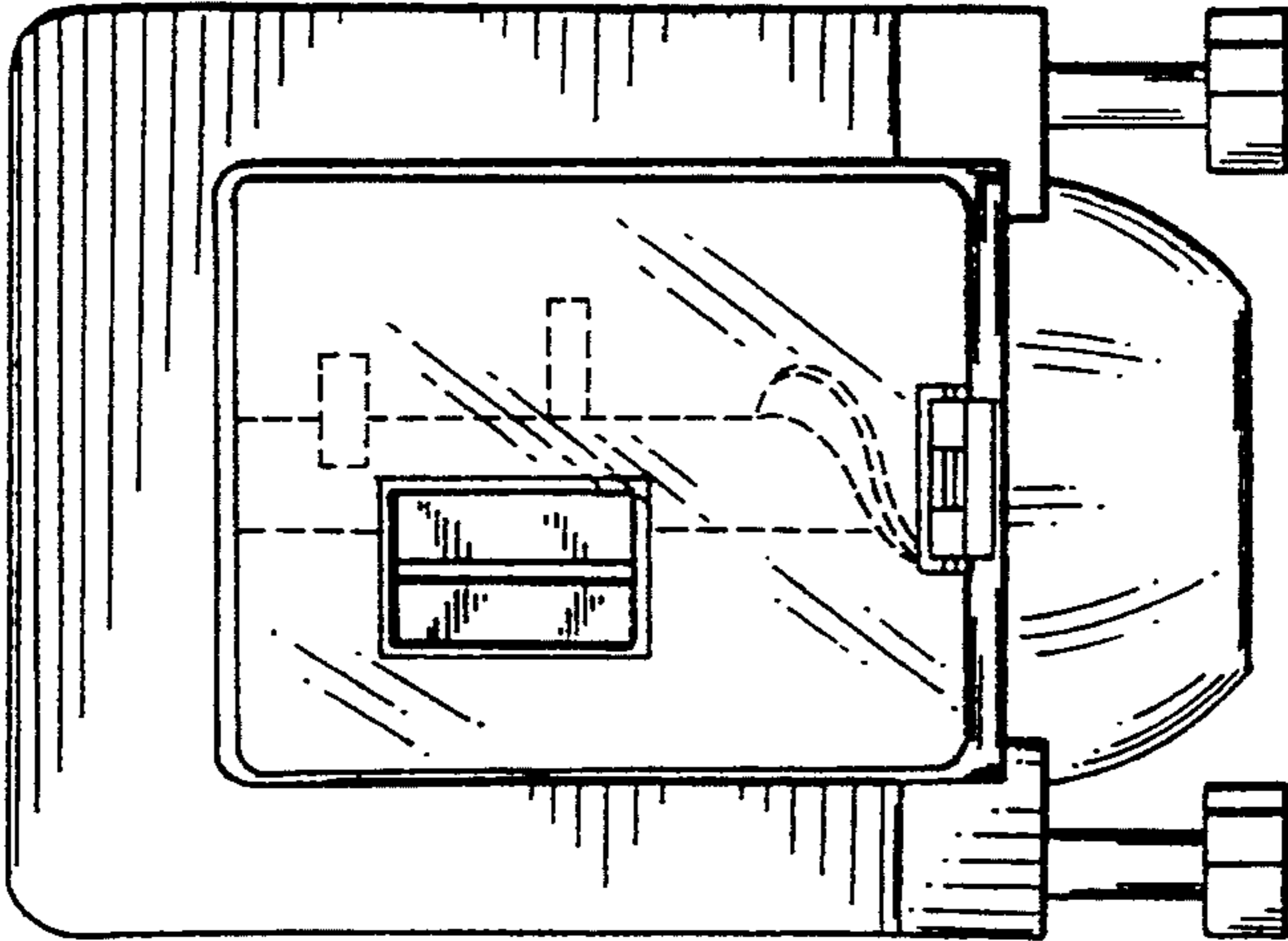


FIG. 6

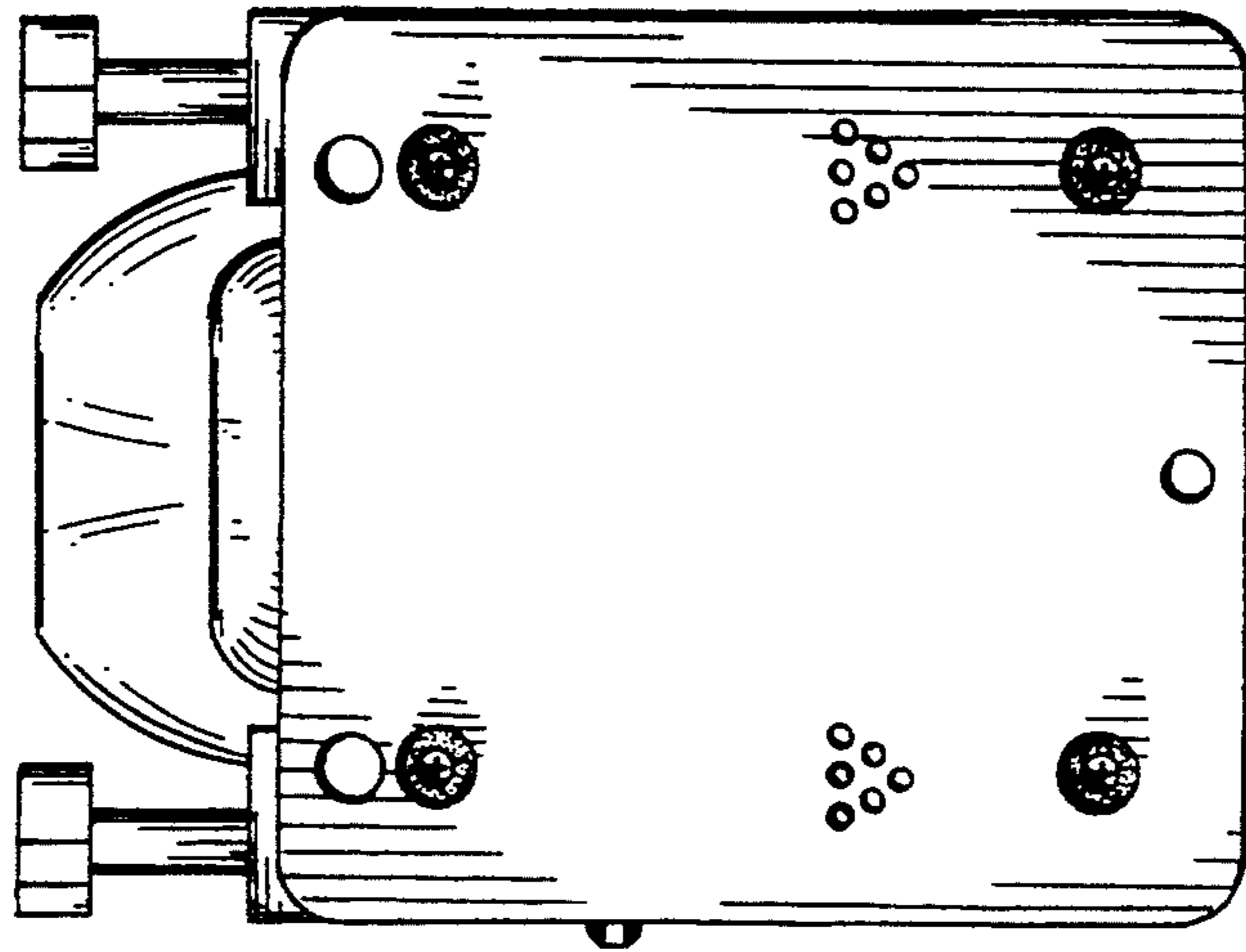


FIG. 7