



US00D356005S

United States Patent [19]

[11] Patent Number: **Des. 356,005**

Goble

[45] Date of Patent: **** Mar. 7, 1995**

[54] **COOKING GRILL**

[76] Inventor: **Rowland H. Goble**, 145 W. Crystal Lake Ave., Lake Mary, Fla. 32746-2913

D. 277,541	2/1985	Espinda	D7/337
D. 282,139	1/1986	Radford	D7/337
D. 337,477	7/1993	Garza	D7/332
3,191,592	6/1965	Lorbacher	126/25 A

[**] Term: **14 Years**

Primary Examiner—Ruth McInroy
Attorney, Agent, or Firm—William M. Hobby, III

[21] Appl. No.: **15,000**

[57] **CLAIM**

[22] Filed: **Nov. 8, 1993**

The ornamental design for a cooking grill, as shown.

[52] U.S. Cl. **D7/337**

DESCRIPTION

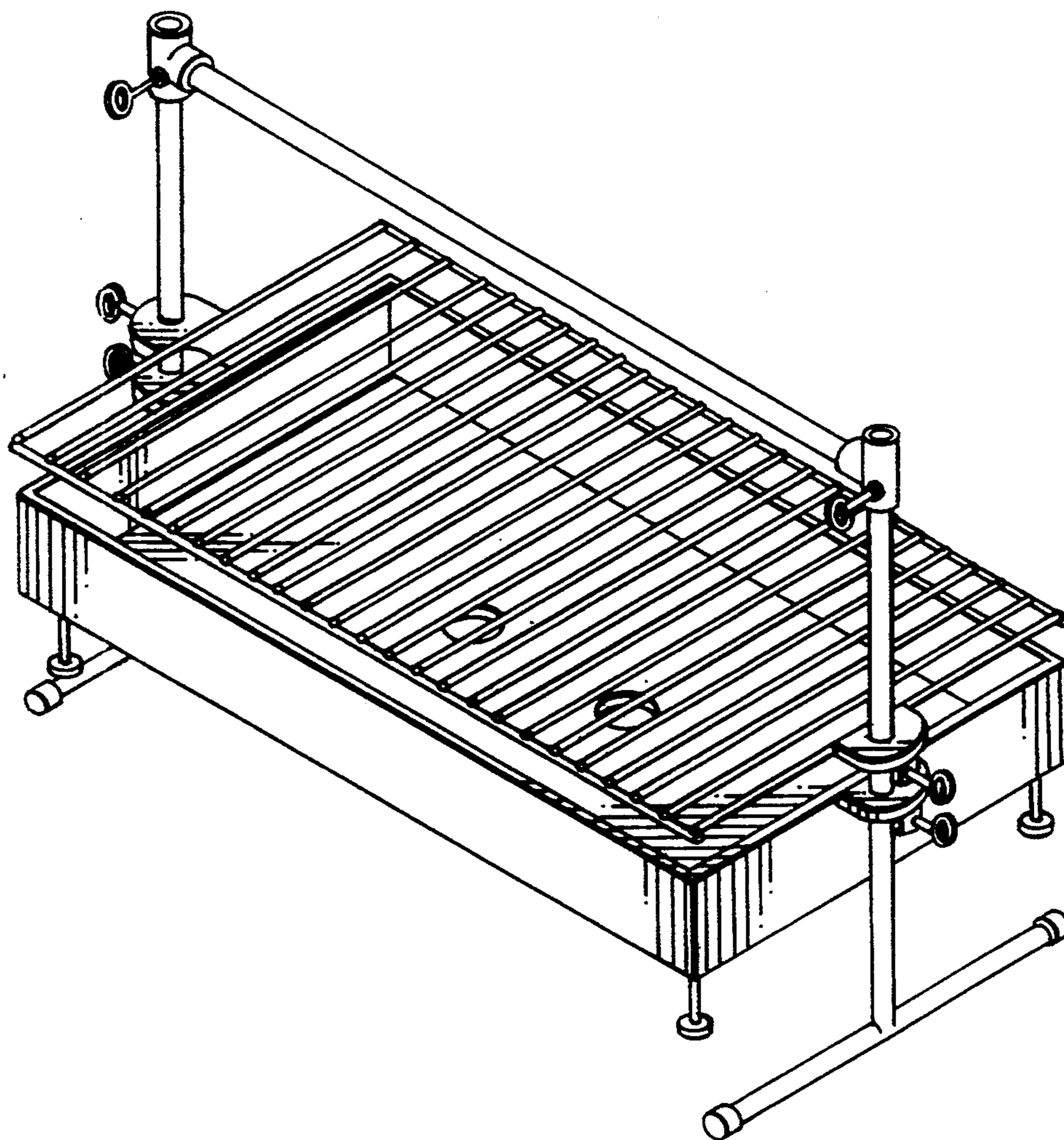
[58] Field of Search **D7/332-337, D7/402-409; 126/25 R, 25 A, 29-30, 40, 50, 304 R, 305, 214 C, 9 R**

FIG. 1 is a top perspective view of a cooking grill showing my new design;
FIG. 2 is a bottom plan view thereof;
FIG. 3 is a right end elevation view thereof;
FIG. 4 is a top plan view thereof;
FIG. 5 is a bottom perspective view thereof;
FIG. 6 is a left end elevation view thereof;
FIG. 7 is a right side elevation view thereof; and,
FIG. 8 is a left side elevation view thereof.

[56] **References Cited**

U.S. PATENT DOCUMENTS

D. 263,918	4/1982	Boyd	D7/336
D. 274,686	7/1984	Ambler	D7/337



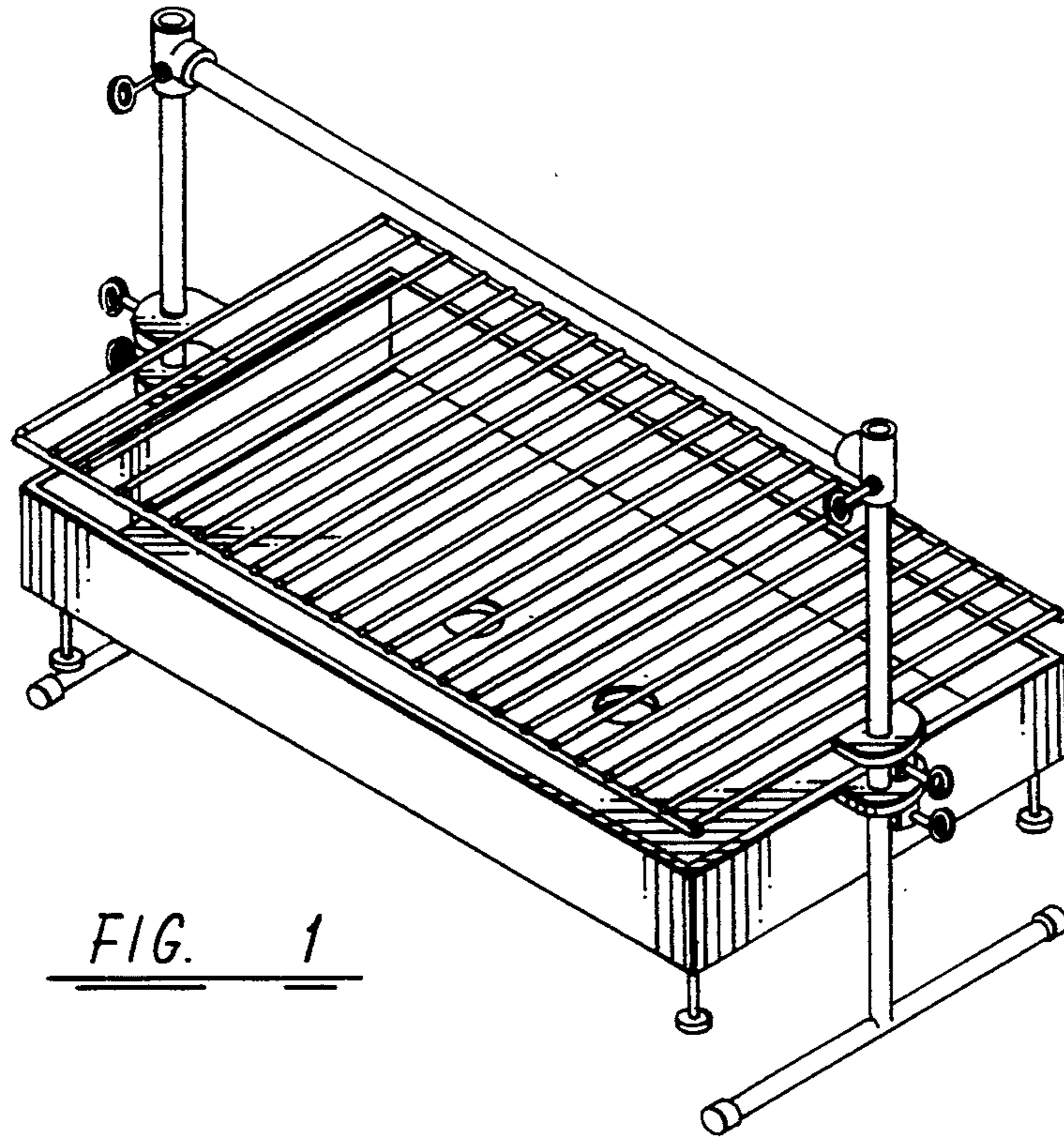


FIG. 1

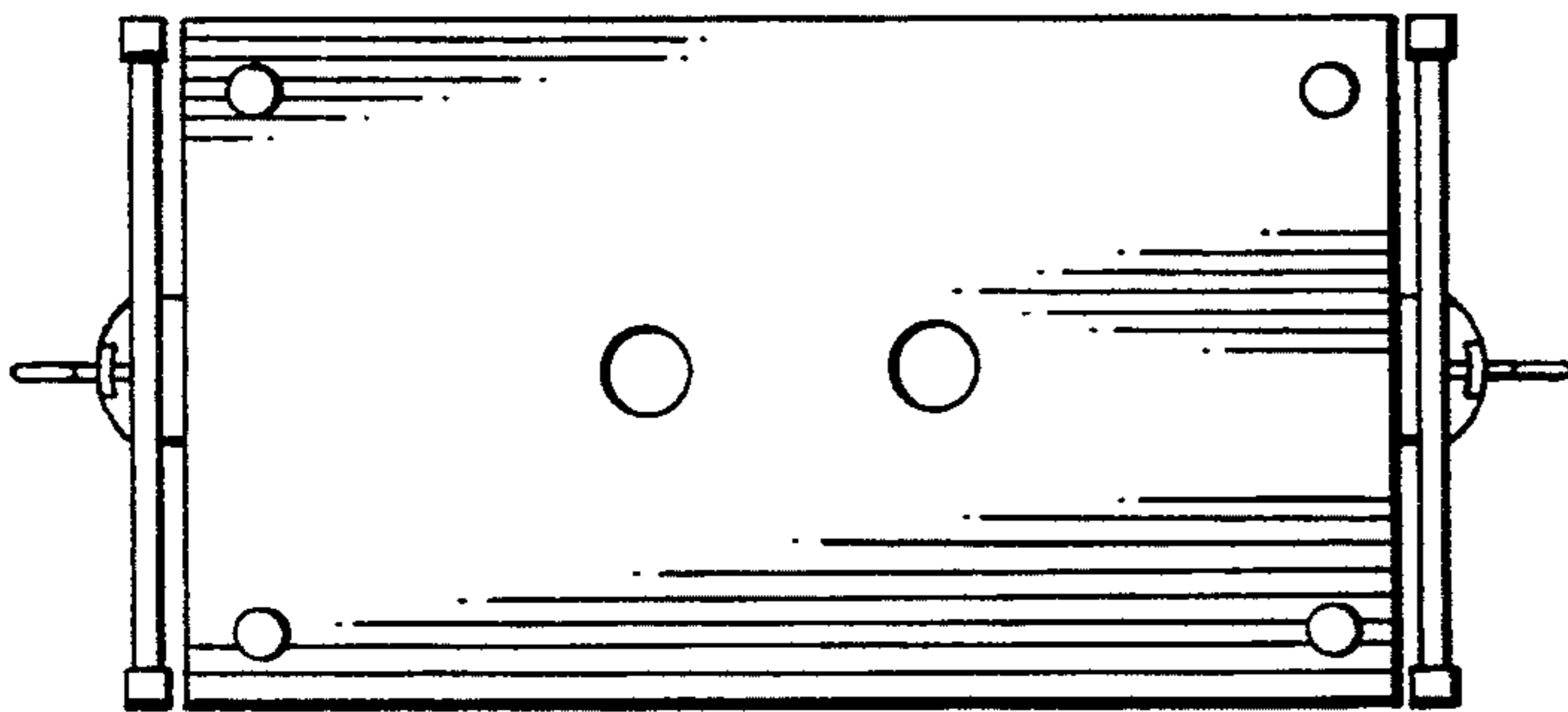


FIG. 2

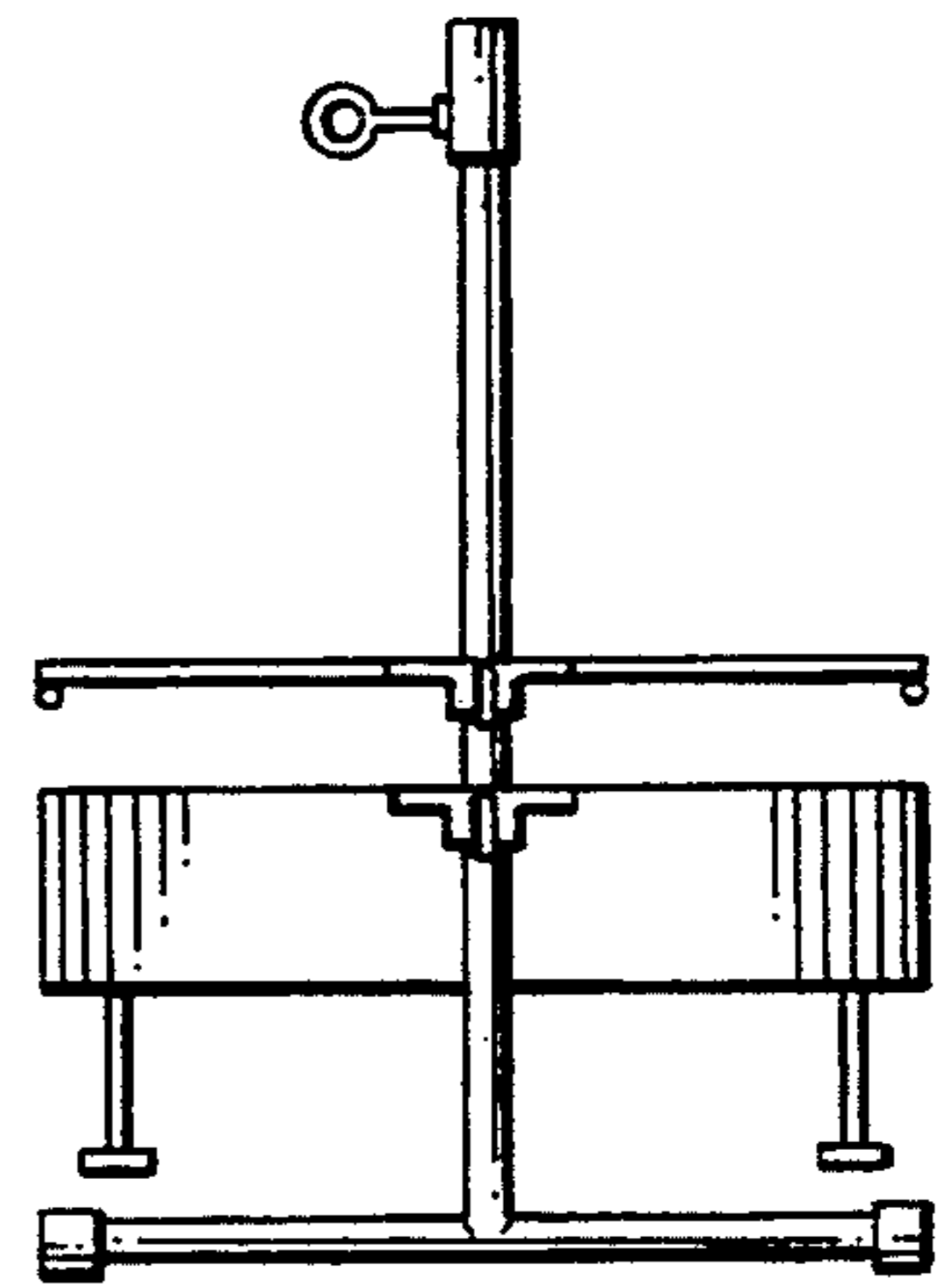


FIG. 3



FIG. 4

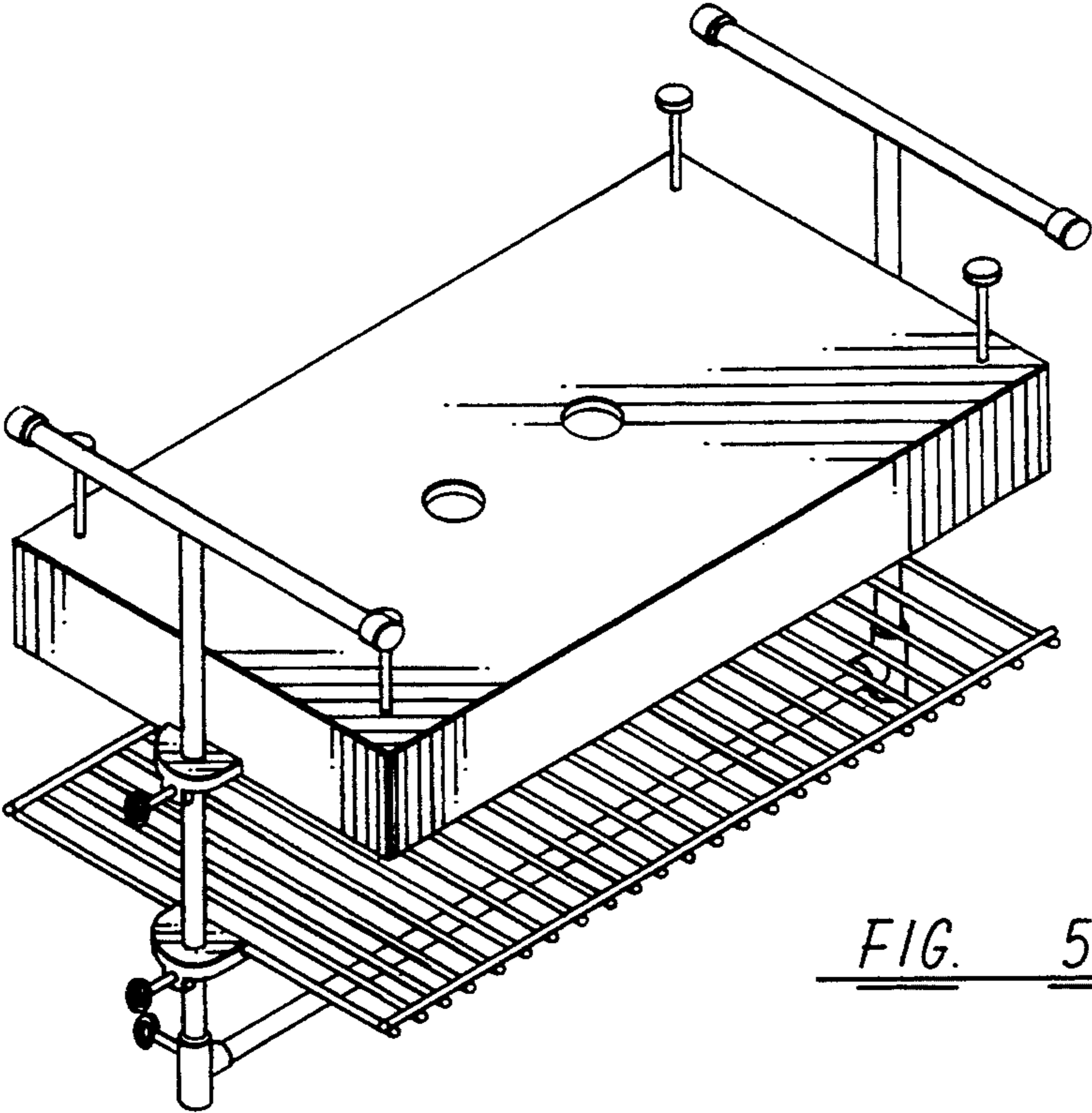


FIG. 5

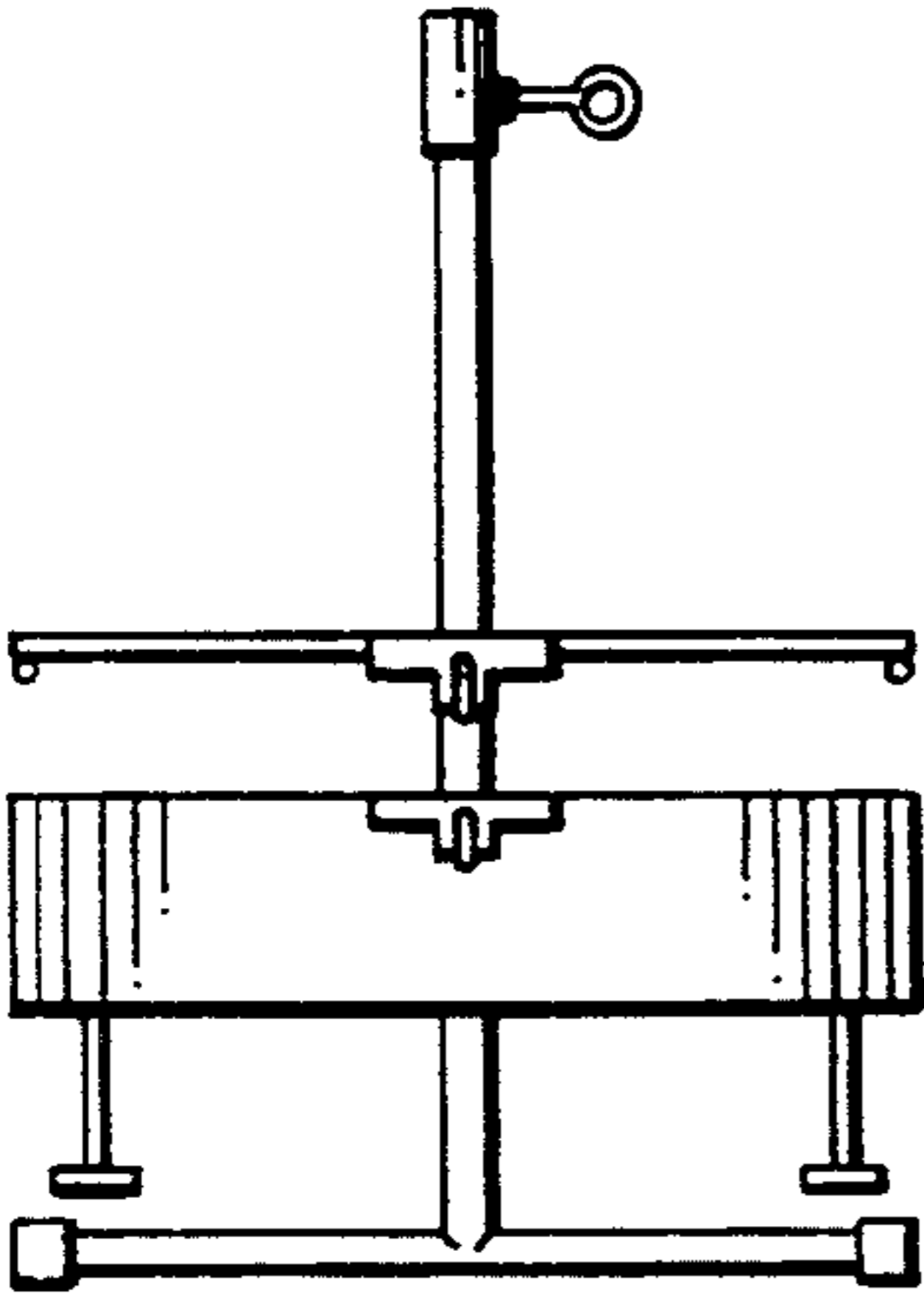


FIG. 6

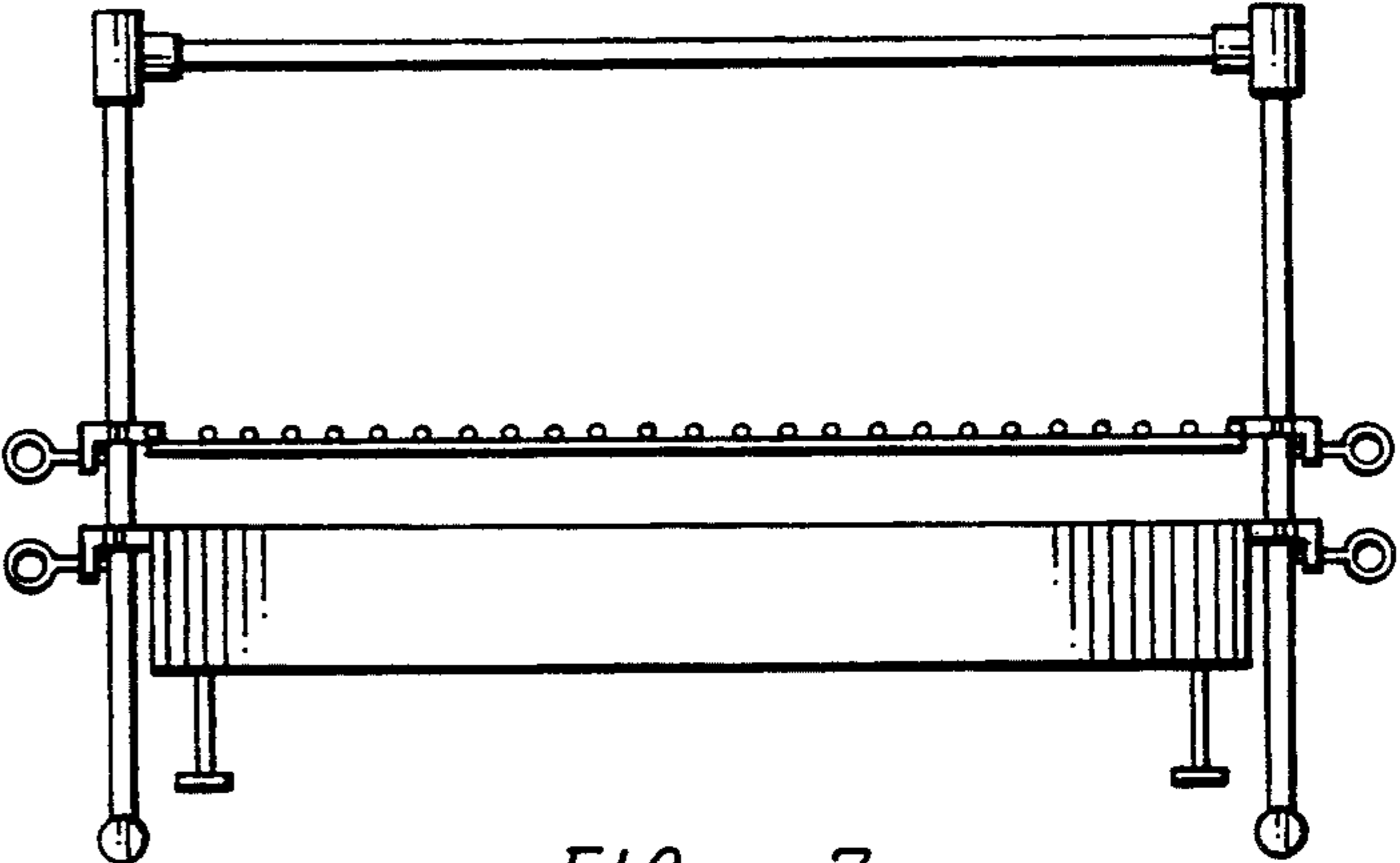


FIG. 7

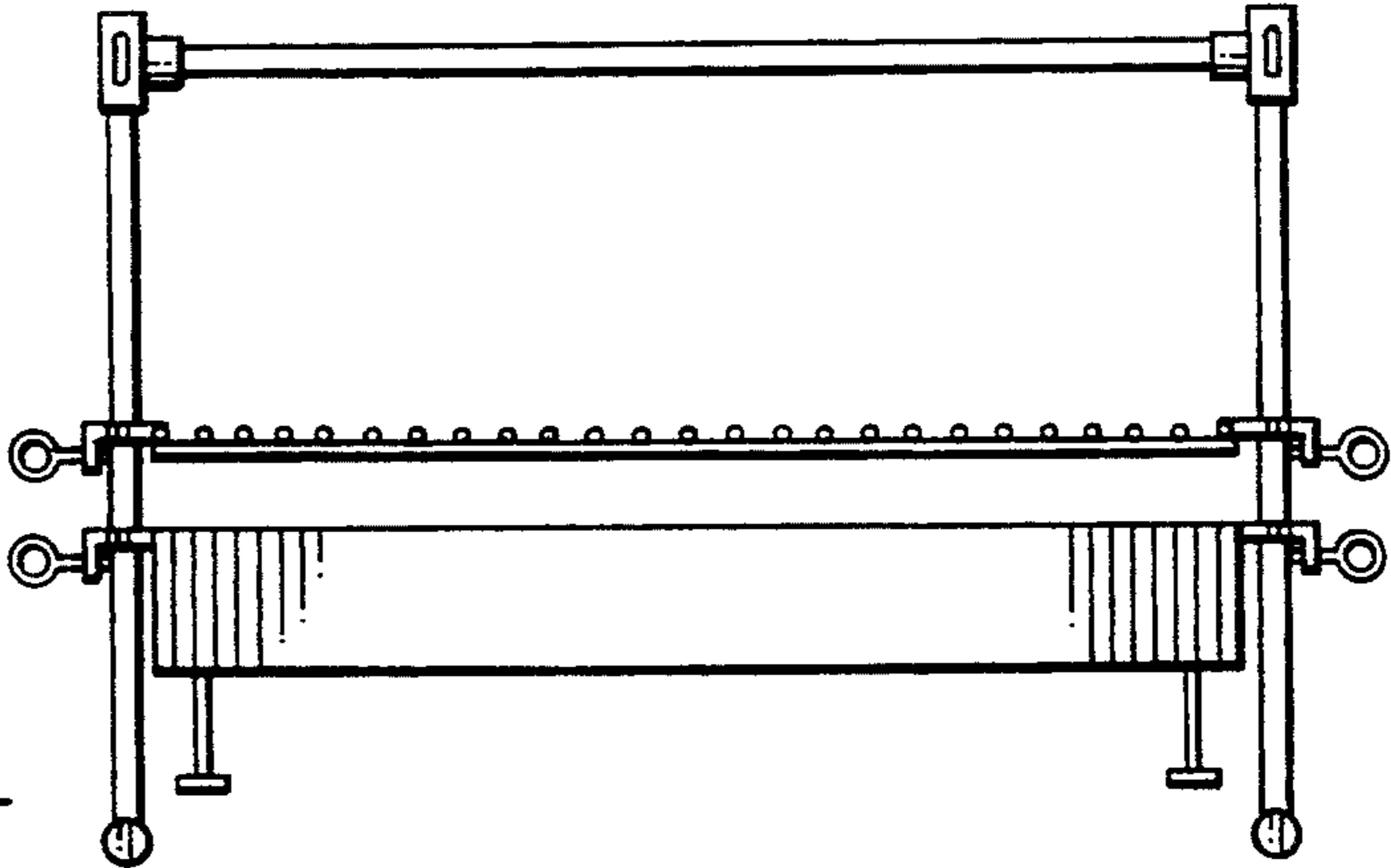


FIG. 8