



US00D356002S

United States Patent [19]

[11] Patent Number: **Des. 356,002**

Morgan

[45] Date of Patent: **** Mar. 7, 1995**

[54] **BAT HOLDER**

[76] Inventor: **Arthur F. Morgan**, P.O. Box 8093,
Hemet, Calif. 92545

[**] Term: **14 Years**

[21] Appl. No.: **8,658**

[22] Filed: **May 24, 1993**

[52] U.S. Cl. **D6/552**

[58] Field of Search D6/513, 552, 553;
D8/349, 354, 367, 373; 248/200, 205.1, 214,
220.2, 222.2, 309.1, 312, 315; 211/13, 60.1, 70.6

[56] **References Cited**

U.S. PATENT DOCUMENTS

- D. 266,382 10/1982 Hutchinson D8/373
- D. 306,689 3/1990 Hamann D8/363
- 4,953,817 9/1990 Mosteller 248/222.2

Primary Examiner—Brian N. Vinson
Attorney, Agent, or Firm—Bernhard Kreten

[57] **CLAIM**

The ornamental design for a bat holder, as shown and described.

DESCRIPTION

FIG. 1 is a front and right side perspective view of a bat holder showing my new design, the broken-line disclosure of a portion of a fence and bat being for illustrative purposes only and forming no part of the claimed design;

FIG. 2 is a rear view thereof;

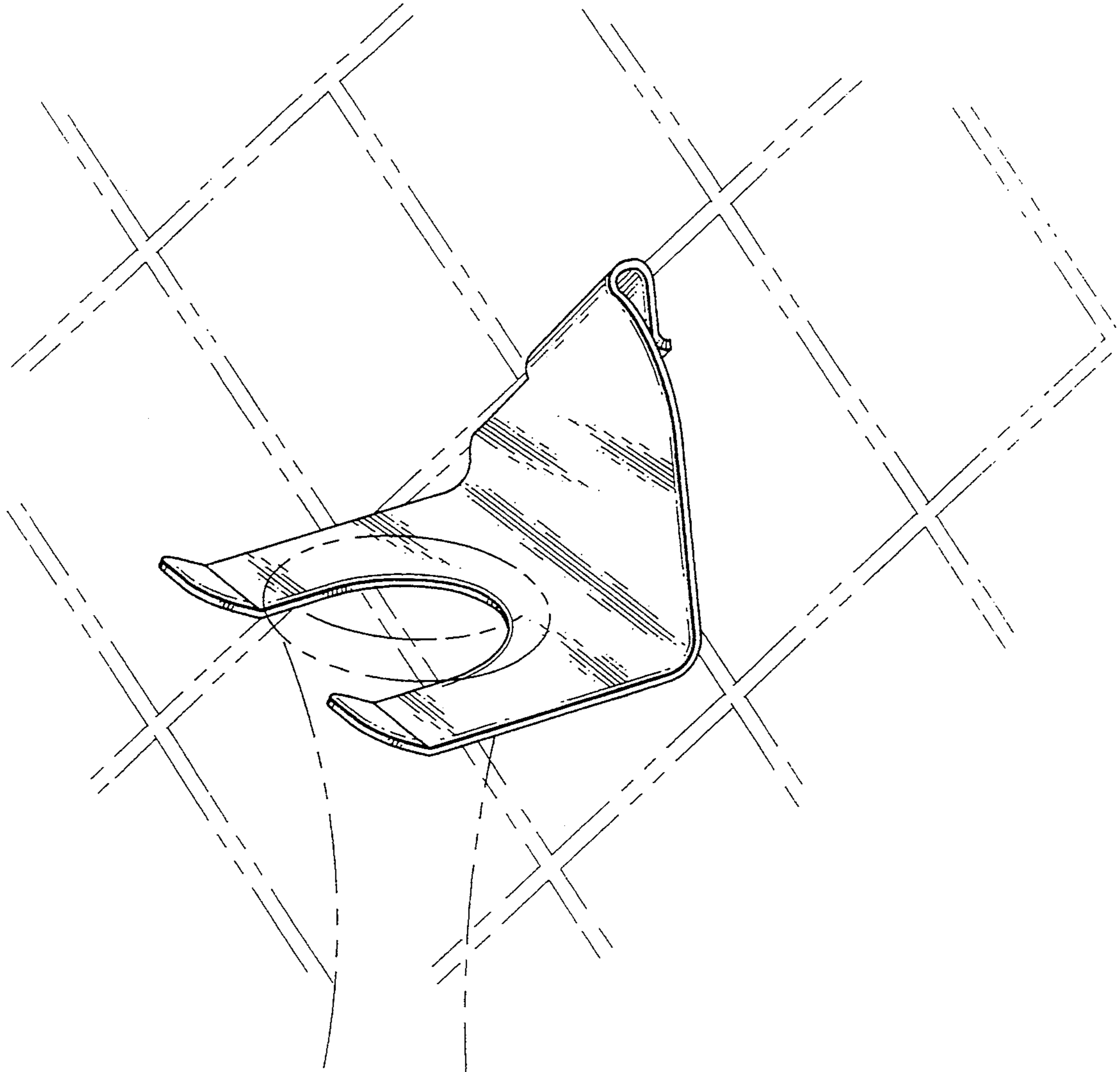
FIG. 3 is a front view thereof;

FIG. 4 is a top view thereof;

FIG. 5 is a bottom view thereof;

FIG. 6 is a left side view thereof; and,

FIG. 7 is a right side view thereof.



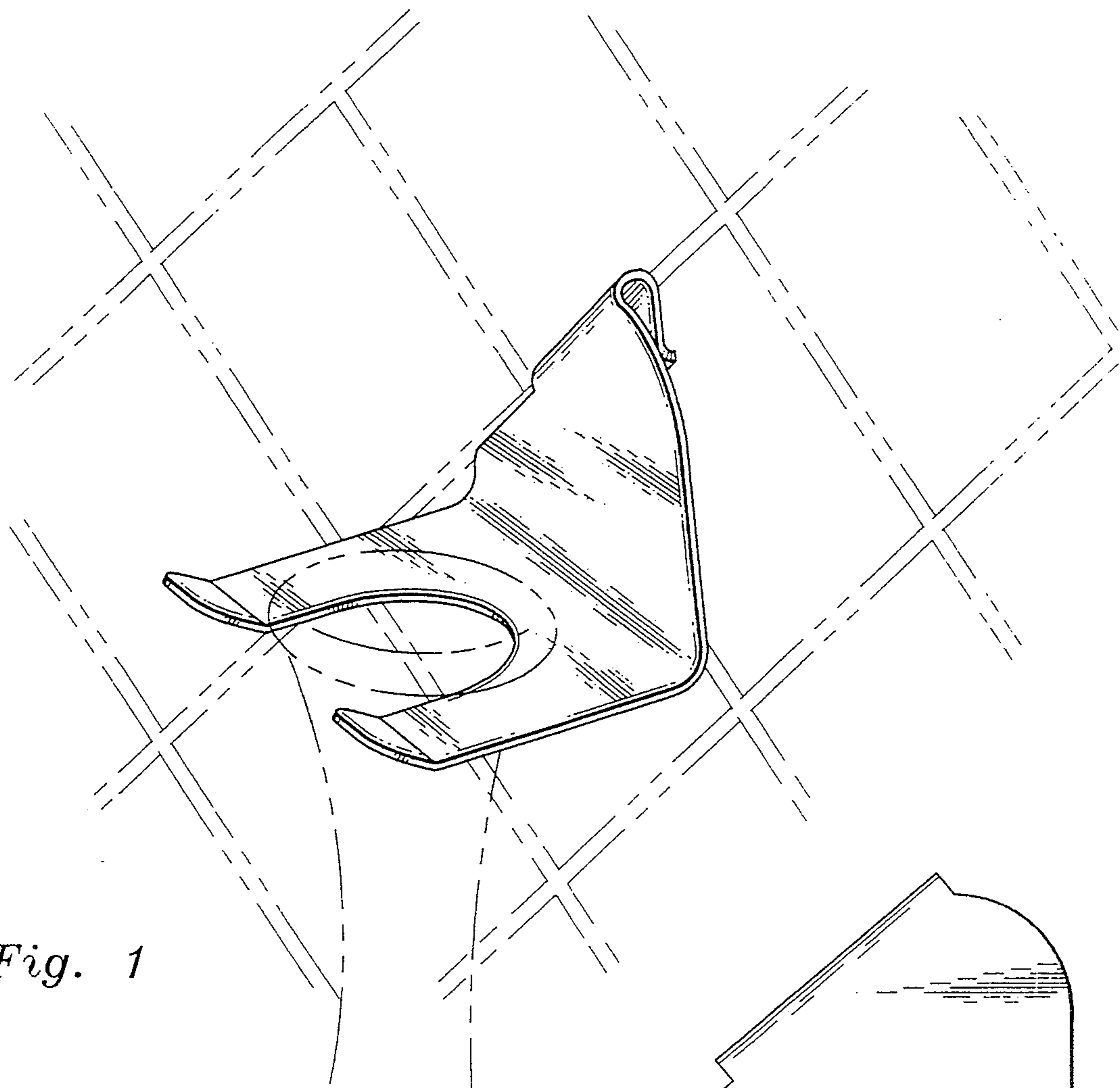


Fig. 1

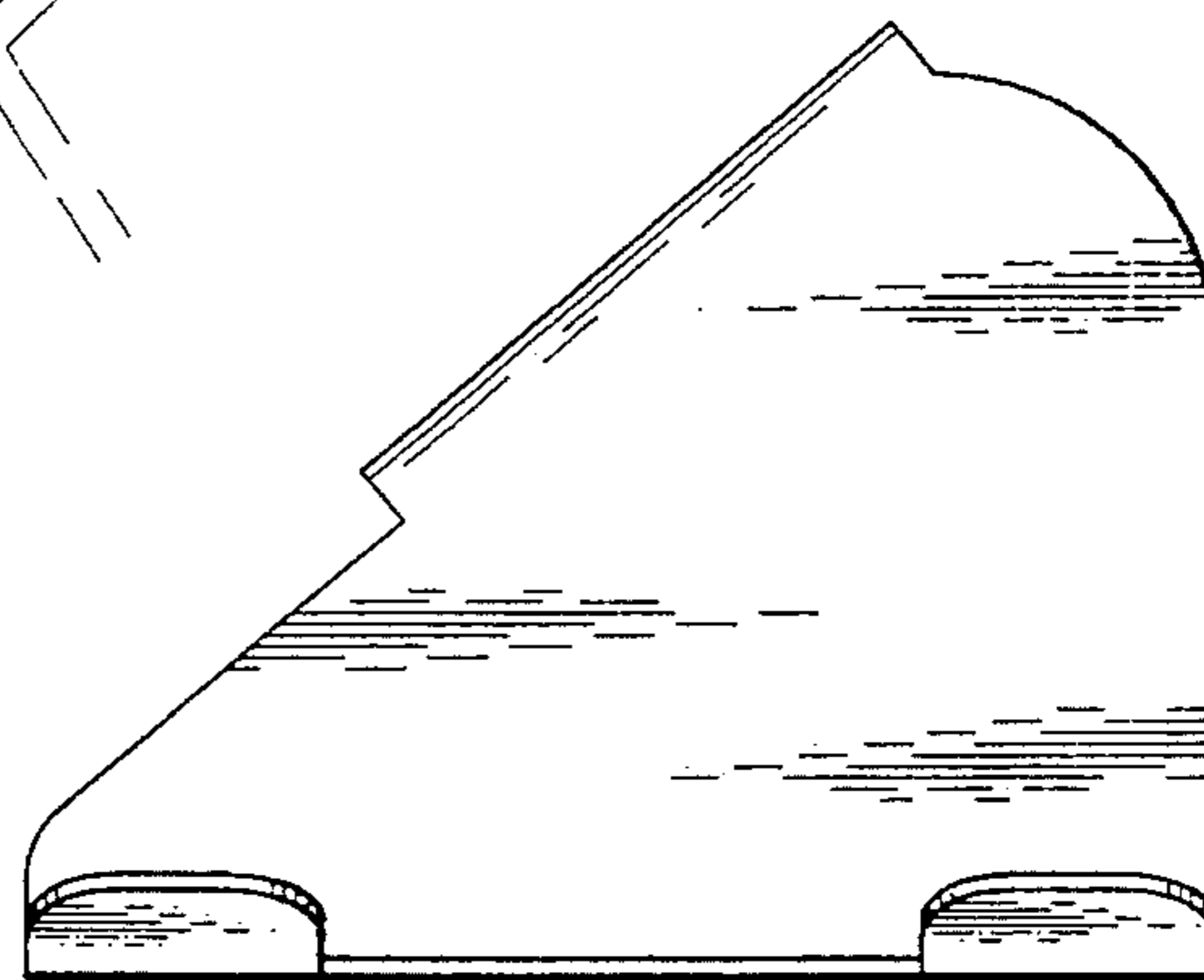


Fig. 2

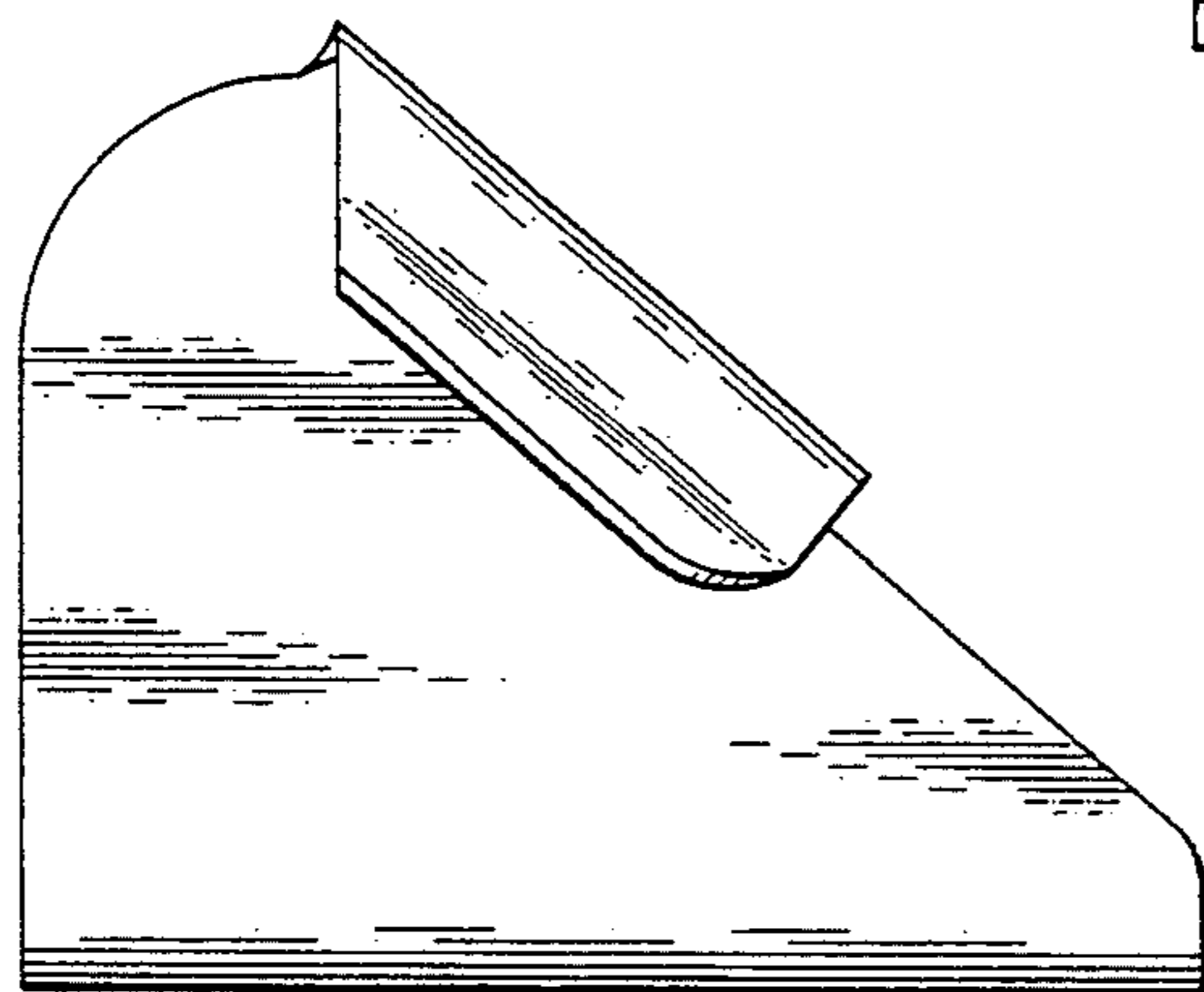


Fig. 3

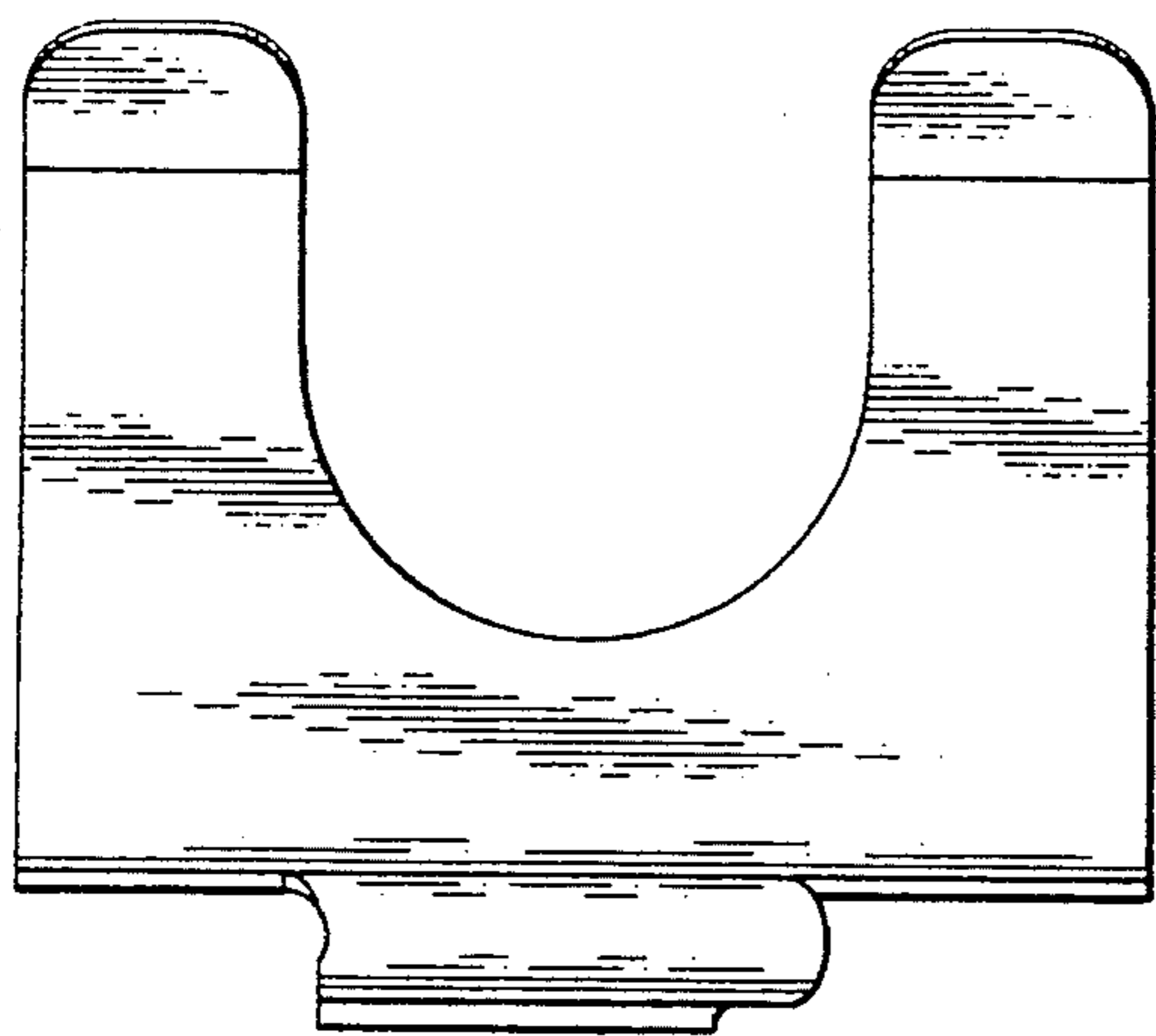


Fig. 4

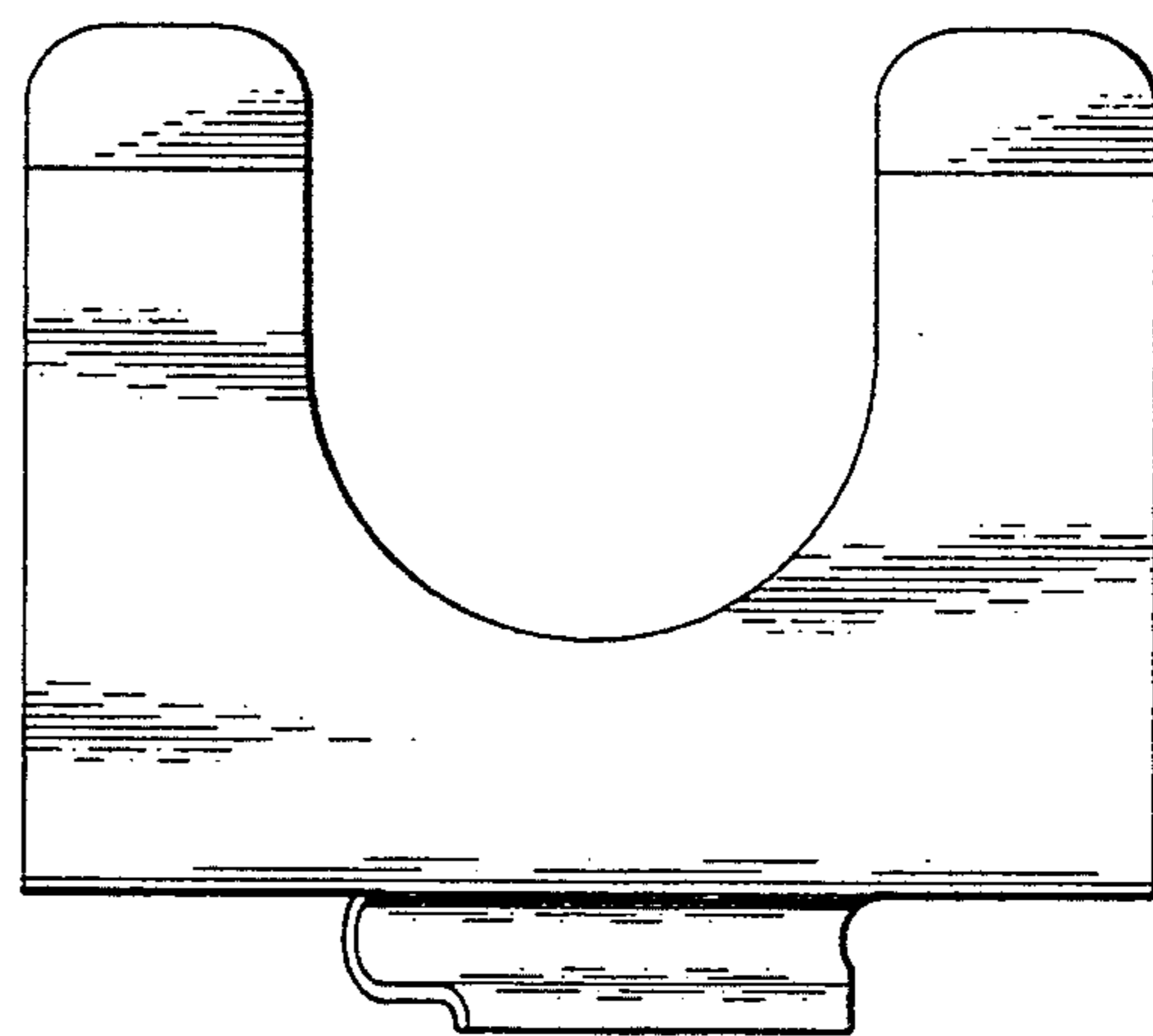


Fig. 5

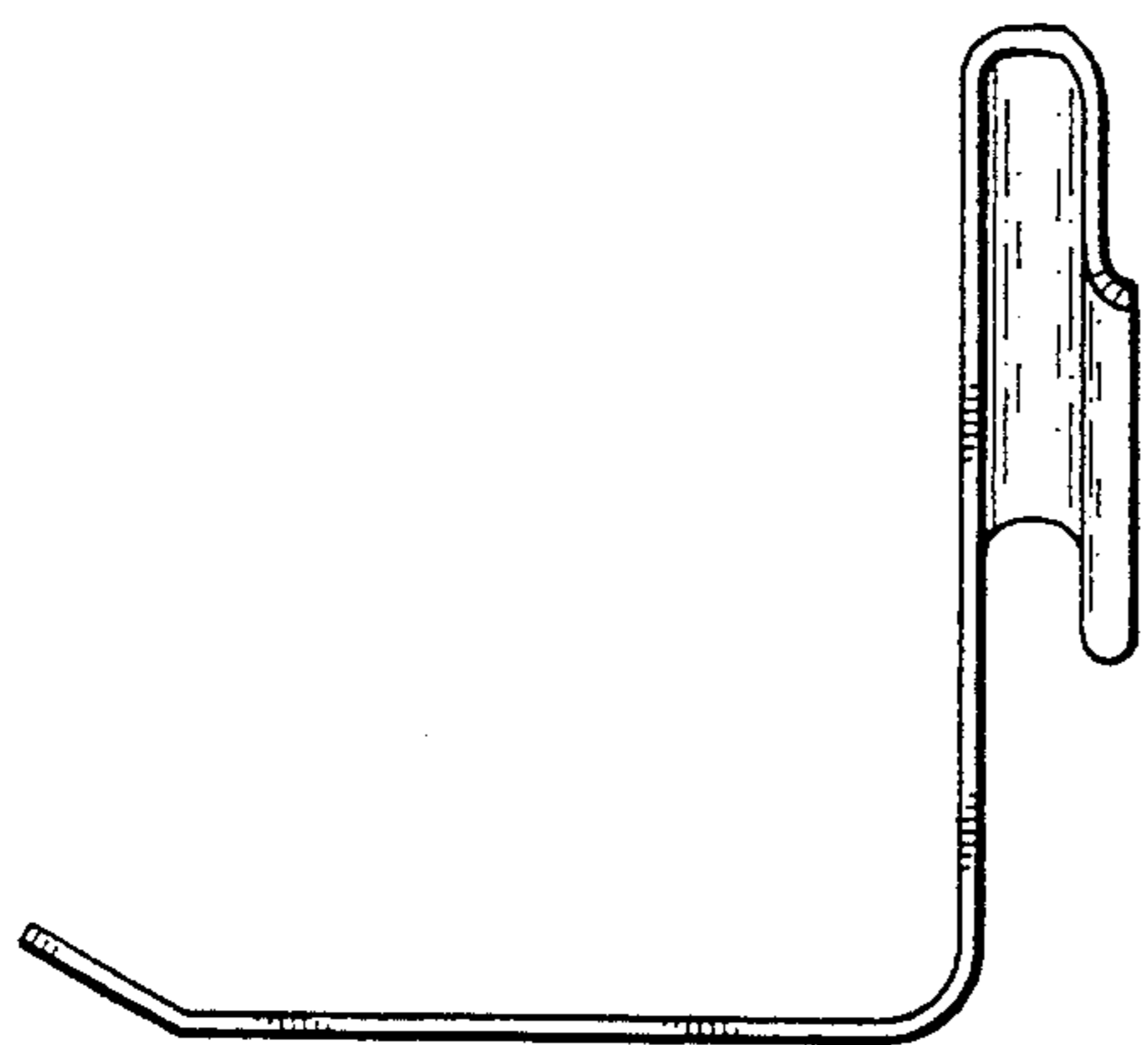


Fig. 6

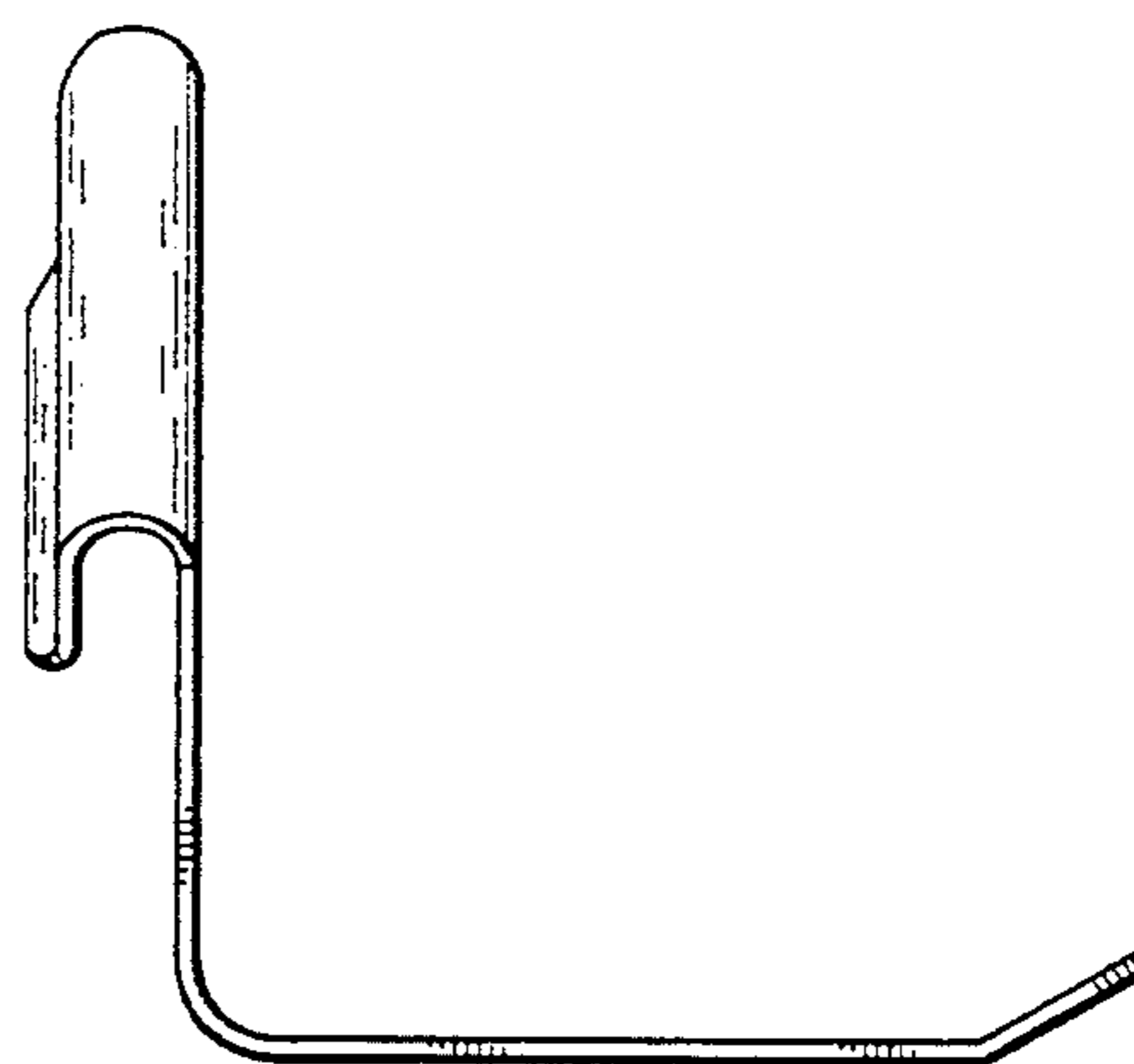


Fig. 7