



US00D356001S

United States Patent [19]

[11] Patent Number: **Des. 356,001**

Yarmunilert

[45] Date of Patent: **** Mar. 7, 1995**

[54] PASTE SQUEEZER

5,071,036 12/1991 Kelly et al. 222/103

[76] Inventor: **Udom Yarmunilert**, c/o Mr. Manit Harvanich, 1435 W. Bonita La., Mount Prospects, Ill. 60056

Primary Examiner—Brian N. Vinson
Attorney, Agent, or Firm—Banner, Birch, McKie & Beckett

[**] Term: **14 Years**

[57] **CLAIM**

[21] Appl. No.: **7,204**

The ornamental design for a paste squeezer, as shown and described.

[22] Filed: **Apr. 6, 1993**

DESCRIPTION

Related U.S. Application Data

- [63] Continuation-in-part of Ser. No. 3,629, Jan. 11, 1993.
- [52] U.S. Cl. **D6/541**
- [58] Field of Search D6/541; 206/277; 222/95-96, 98-99, 101, 103; D32/61

FIG. 1 is a top right front perspective view of a paste squeezer showing my new design;
 FIG. 2 is a left side elevational view thereof; the right side elevational view being a mirror image thereof;
 FIG. 3 is a front elevational view thereof;
 FIG. 4 is a rear elevational view thereof;
 FIG. 5 is a top plan view thereof;
 FIG. 6 is a bottom plan view thereof;
 FIG. 7 is a top right front perspective view of the paste squeezer of FIG. 1 illustrated in an open position;
 FIG. 8 is a left side elevational view of the paste squeezer of FIG. 7; the right side elevational view being a mirror image thereof; and,
 FIG. 9 is a front elevational view of the paste squeezer of FIG. 7.

[56] **References Cited**

U.S. PATENT DOCUMENTS

- D. 119,933 4/1940 Linn D32/61
- D. 204,050 3/1966 Scott D6/541
- D. 292,071 9/1987 Weir D6/541 X
- D. 313,914 1/1991 Tribbey D6/541
- D. 341,050 11/1993 Waffensmith D6/541
- 4,316,556 2/1982 Ferrari 222/95

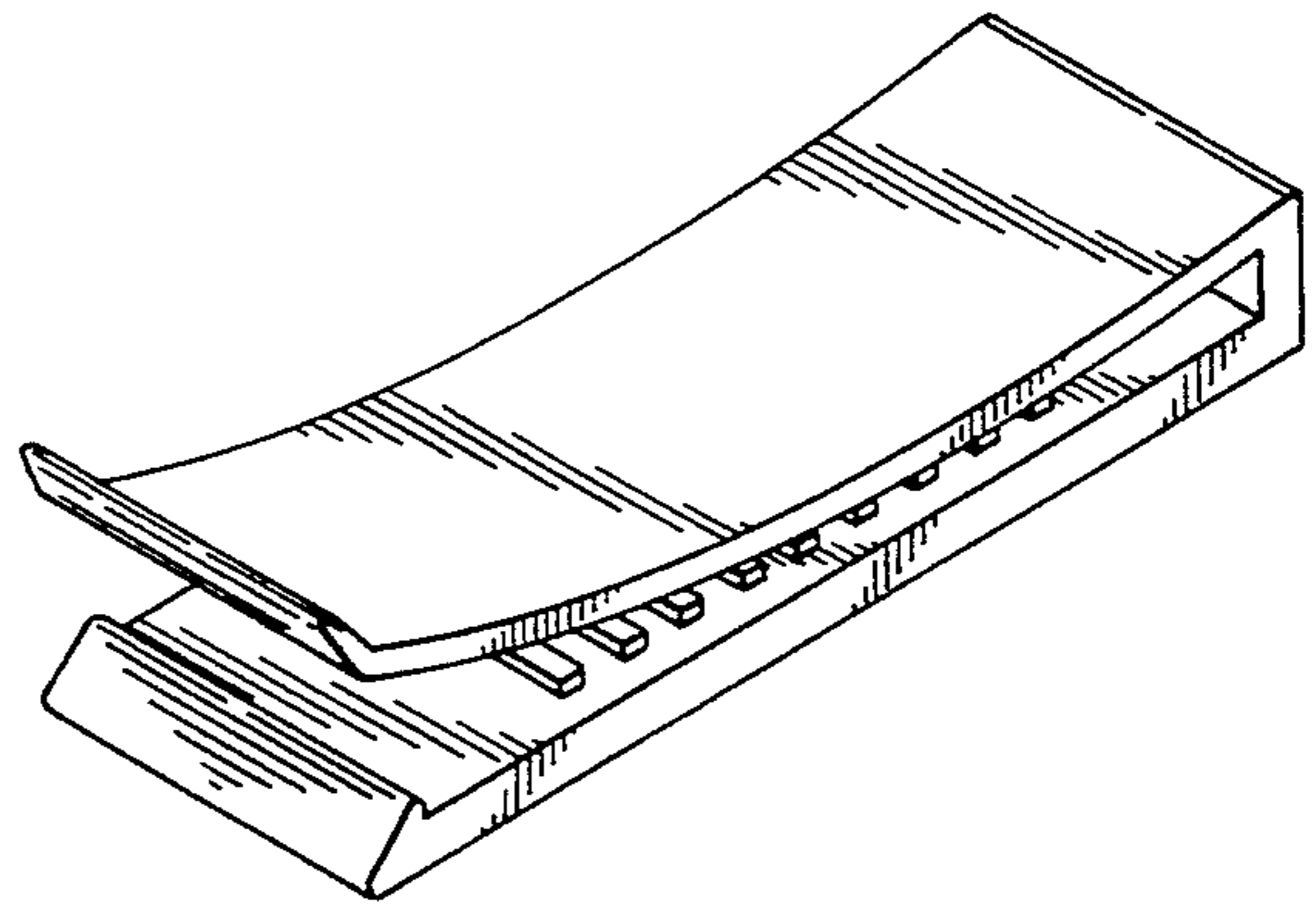
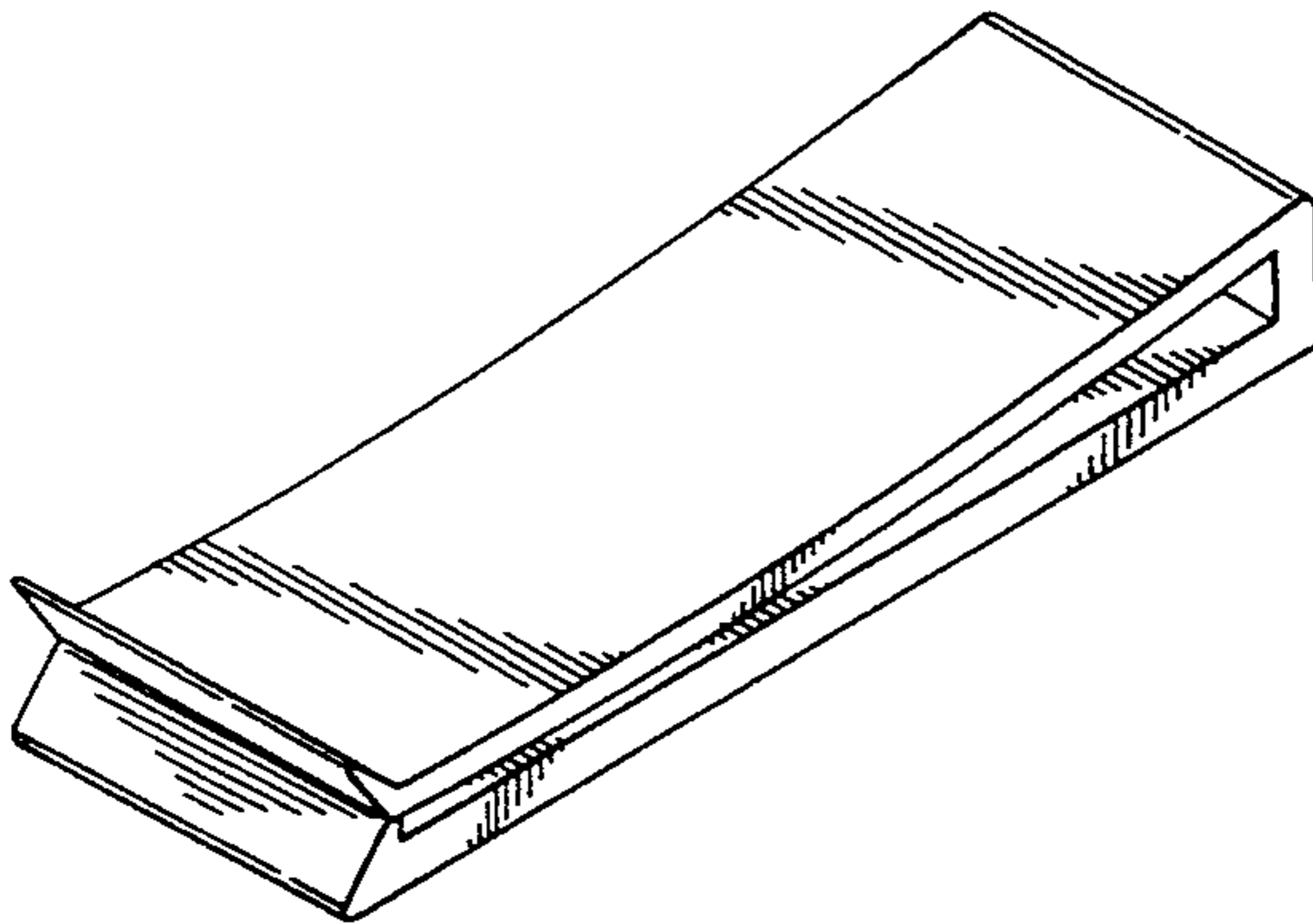


FIG. 1

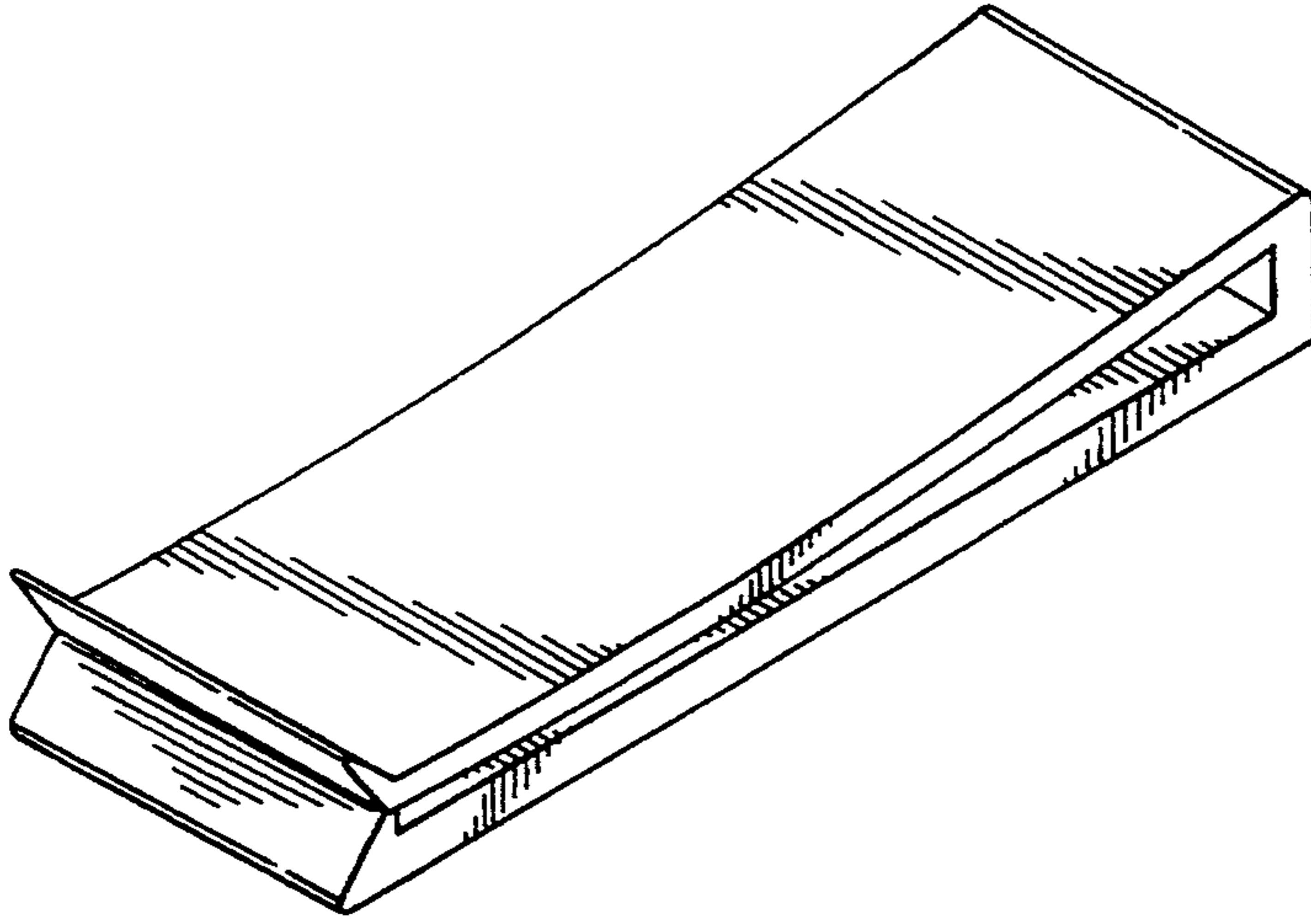


FIG. 2

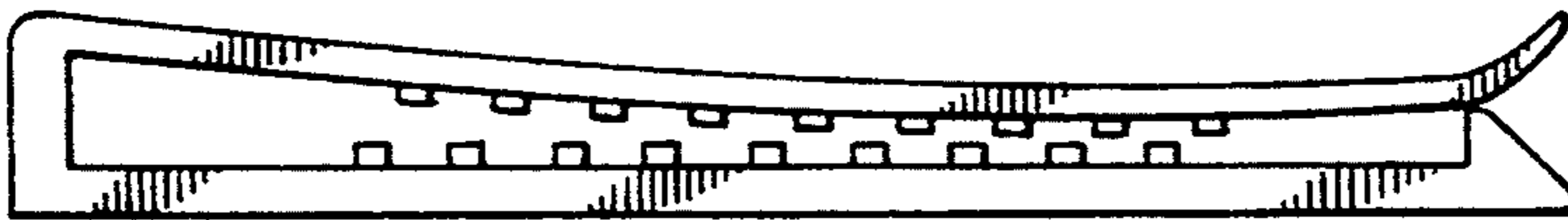


FIG. 3

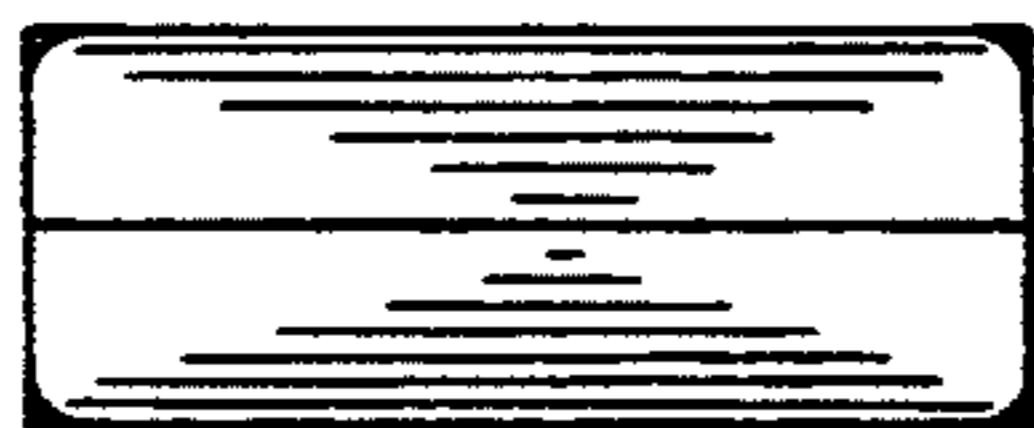


FIG. 4

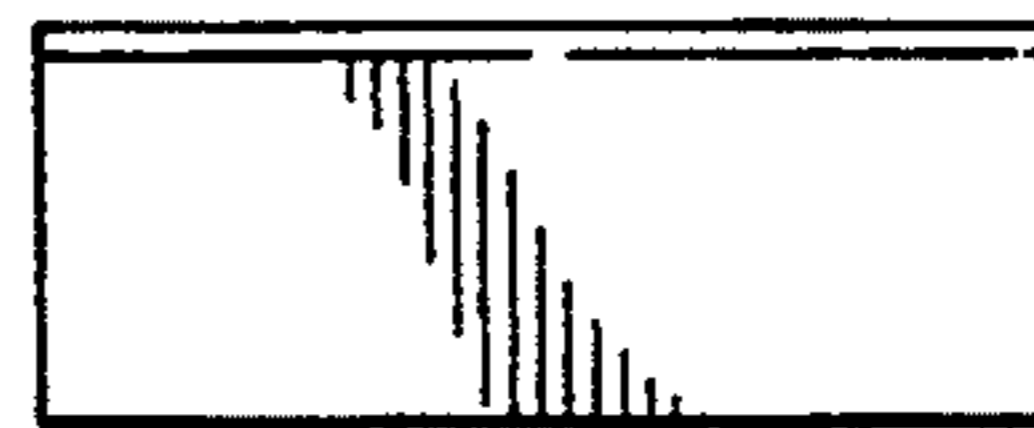


FIG. 5

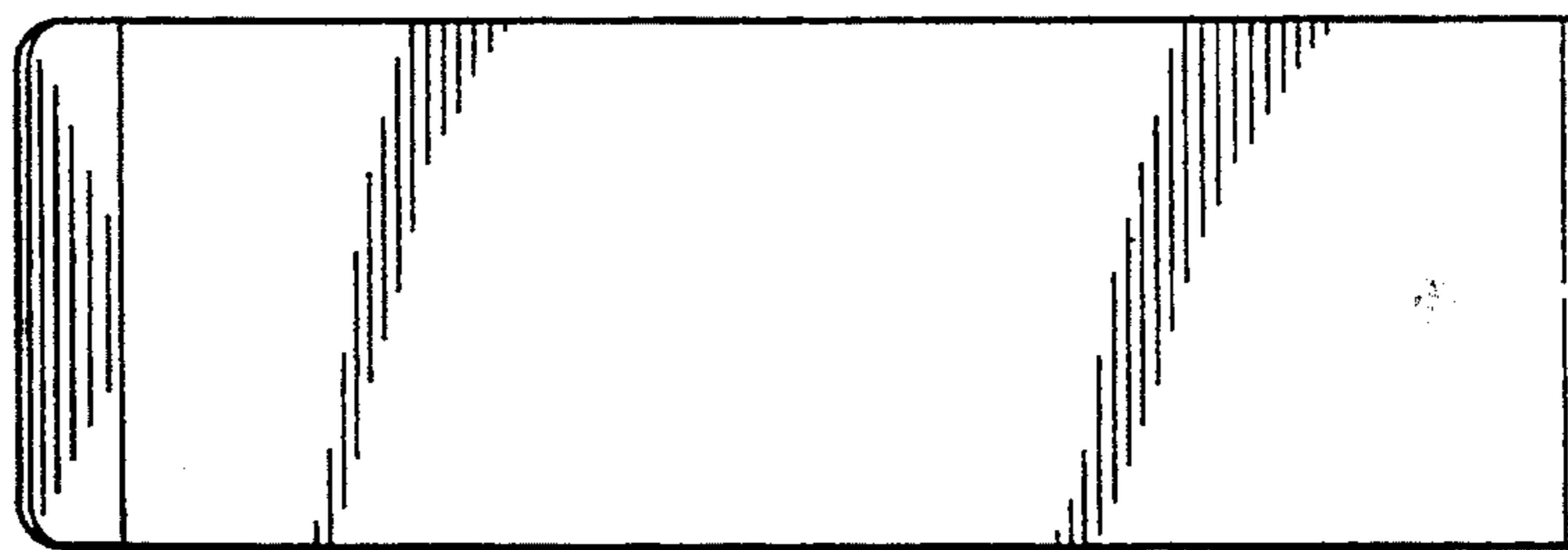


FIG. 6

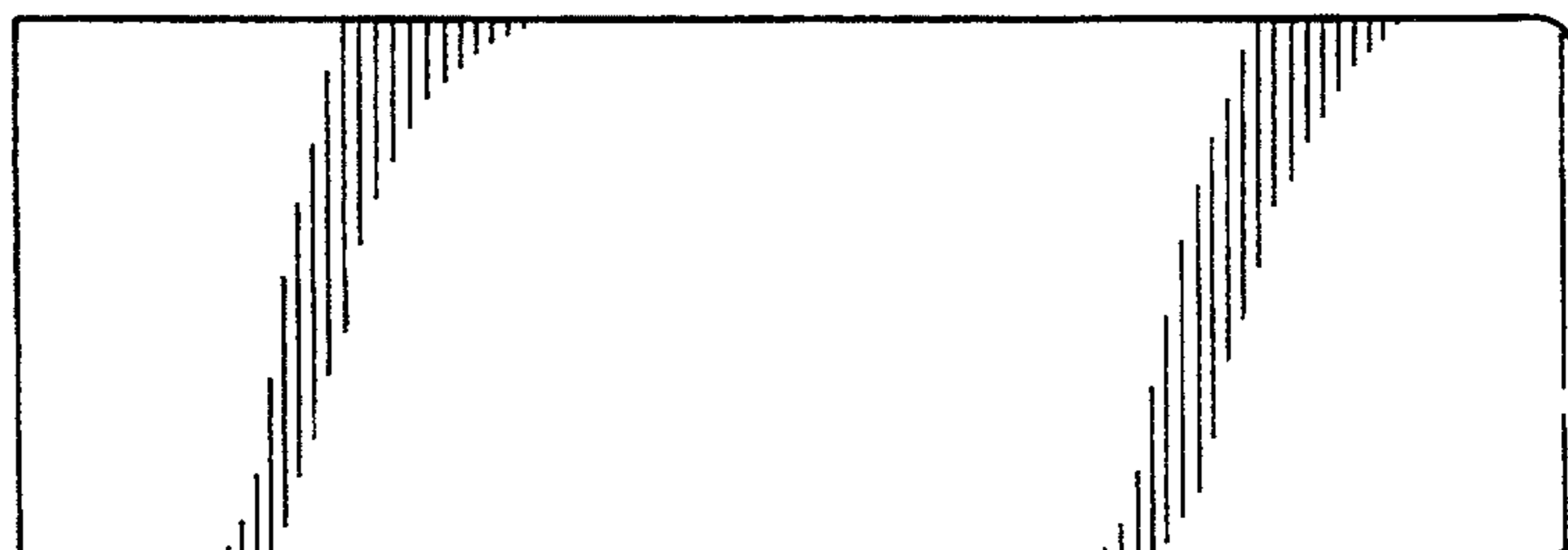


FIG. 7

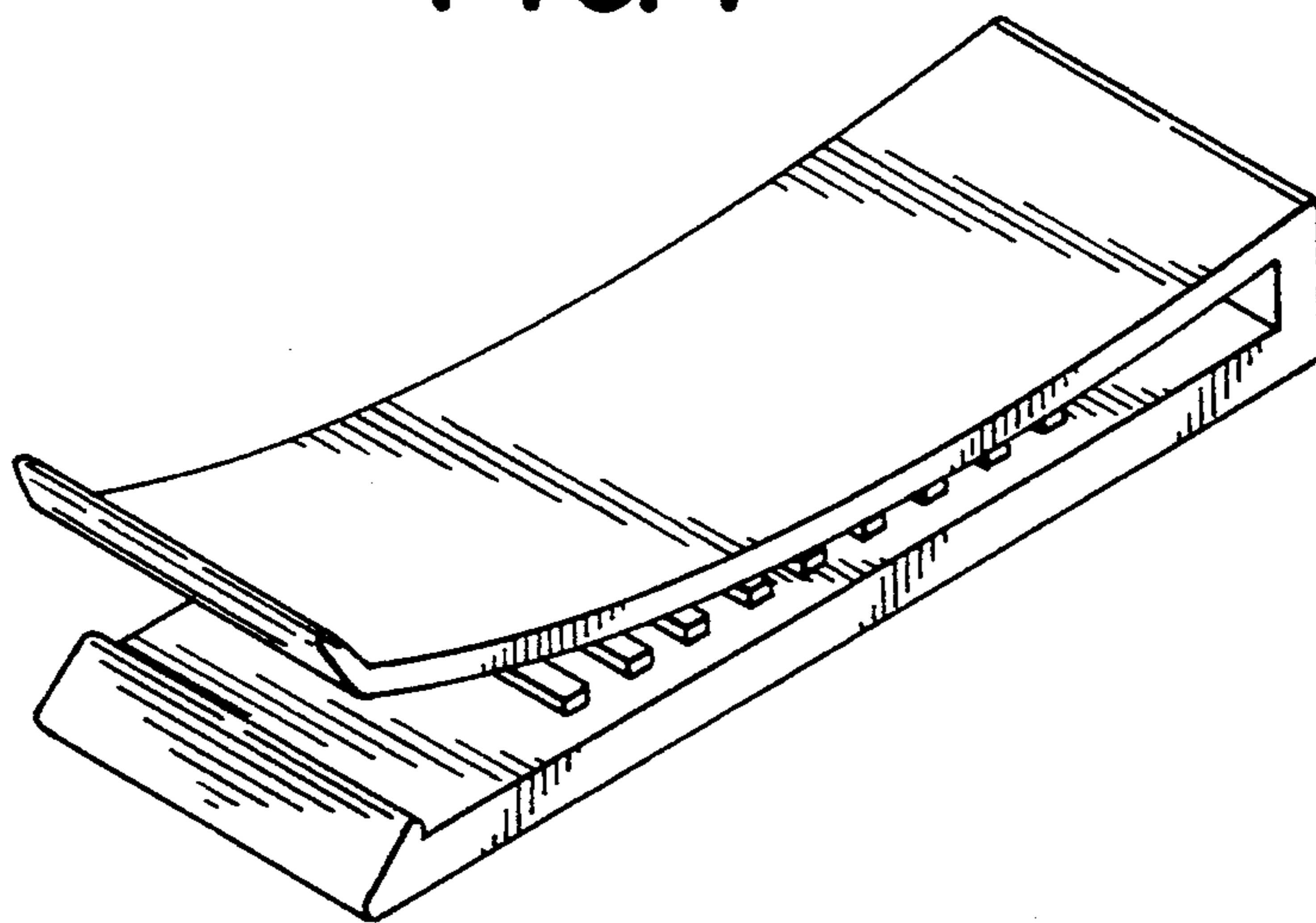


FIG. 8

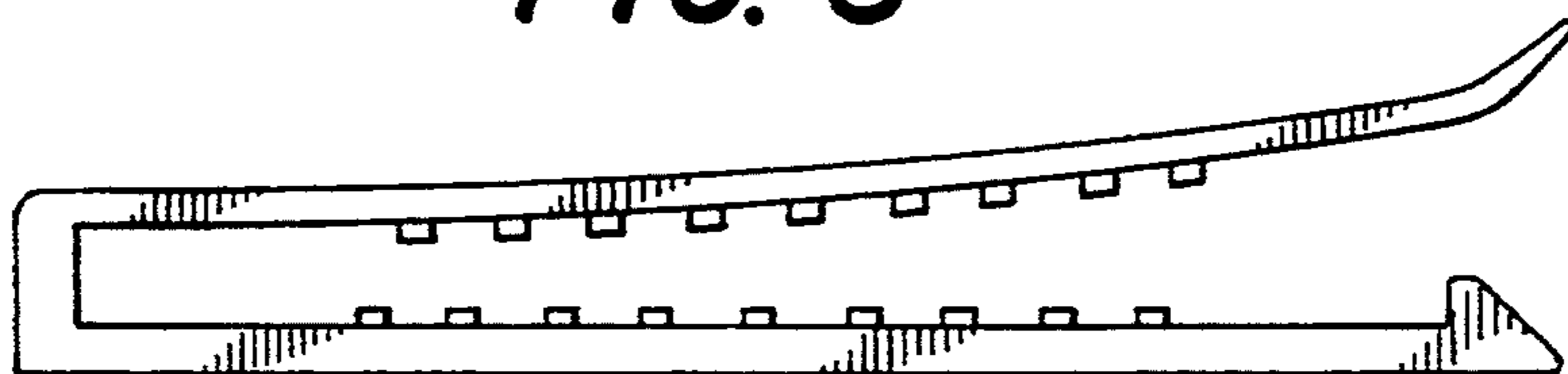


FIG. 9

