



US00D355999S

# United States Patent [19]

[11] Patent Number: **Des. 355,999**

Townsend

[45] Date of Patent: **\*\* Mar. 7, 1995**

[54] SEAT WITH POCKETS

[76] Inventor: **Paul A. Townsend**, 3206 Bennington, Pasadena, Tex. 77503

[\*\*] Term: **14 Years**

[21] Appl. No.: **6,073**

[22] Filed: **Mar. 23, 1993**

[52] U.S. Cl. .... **D6/502; D6/601**

[58] Field of Search ..... **D6/491, 500-502, D6/330, 333, 601, 604, 336; 5/448, 481, 652, 653, 655; 297/195, 199, 391, 423, 445, 451, DIG. 1, DIG. 2**

D. 316,354	4/1991	Bool .....	D6/601
D. 321,606	11/1991	McKinney et al. ....	D6/501
D. 340,814	11/1993	Grant .....	D6/502 X
D. 343,069	1/1994	Trudo et al. ....	D6/336 X
4,227,270	10/1980	Rivera .....	D6/601 X
4,768,245	9/1988	Dutton .....	D6/601 X

*Primary Examiner*—Janice E. Seeger  
*Attorney, Agent, or Firm*—Derek R. Van Gilder

## [57] CLAIM

The ornamental design for a seat with pockets, as shown.

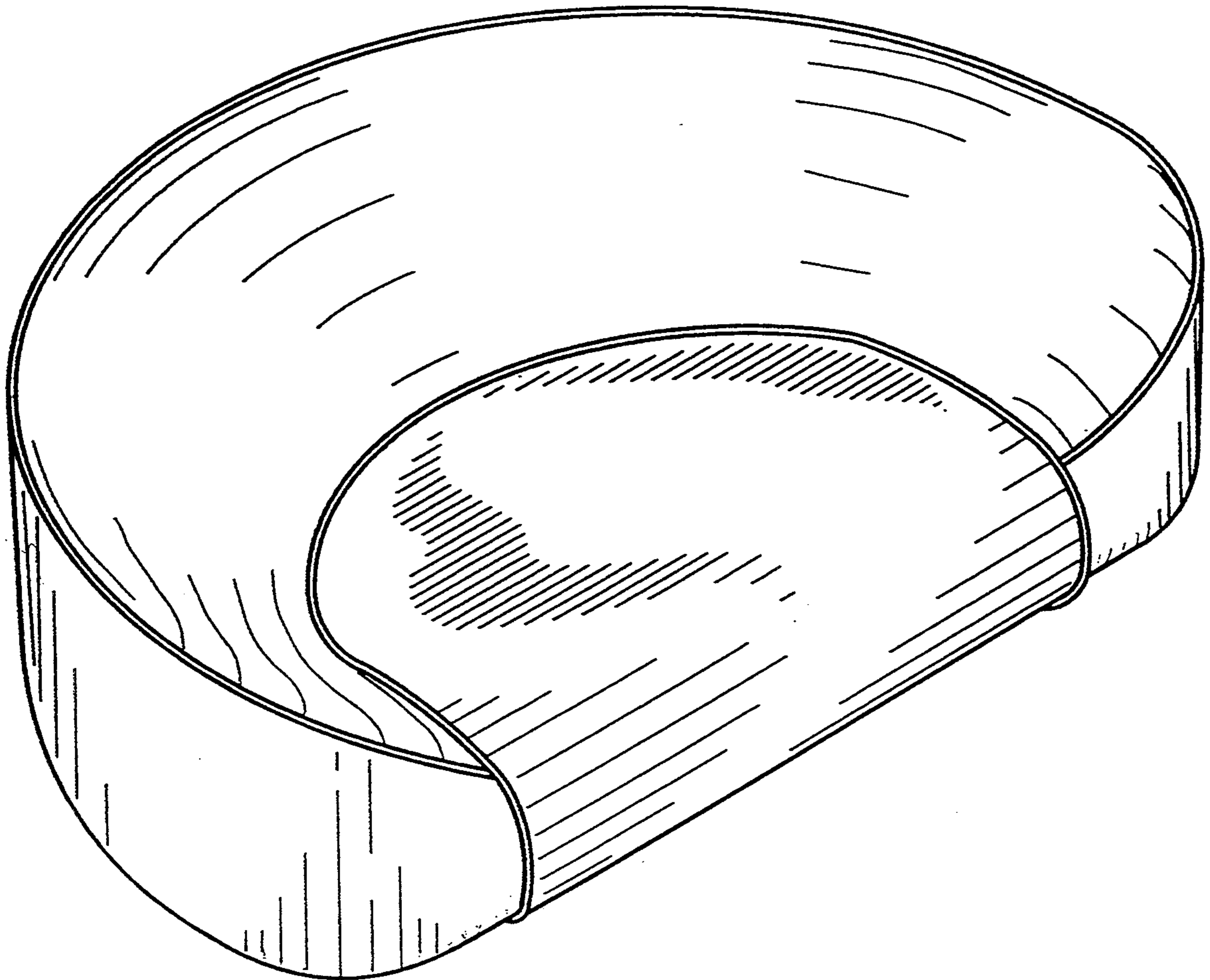
## DESCRIPTION

FIG. 1 is a plan view of a seat showing the new design; FIG. 2 is a section view of the seat as taken through FIG. 1; FIG. 3 is a frontal perspective view of the seat with pockets underneath; FIG. 4 is a side elevation view of the seat and pockets; FIG. 5 is a bottom plan view of the seat showing the pockets; FIG. 6 is a rear view of the seat; FIG. 7 is a top perspective view thereof; and, FIG. 8 is a bottom perspective view thereof.

## [56] References Cited

### U.S. PATENT DOCUMENTS

D. 154,272	6/1949	Heim .....	D6/339 X
D. 222,005	9/1971	Kelly .....	D6/501
D. 244,569	6/1977	Laroye .....	D6/334
D. 249,752	10/1978	Eilersien .	
D. 280,955	10/1985	Hopfer .	
D. 285,512	9/1986	Bool .....	D6/601
D. 285,630	9/1936	Rodriguez .	
D. 293,631	1/1988	Offredi .	



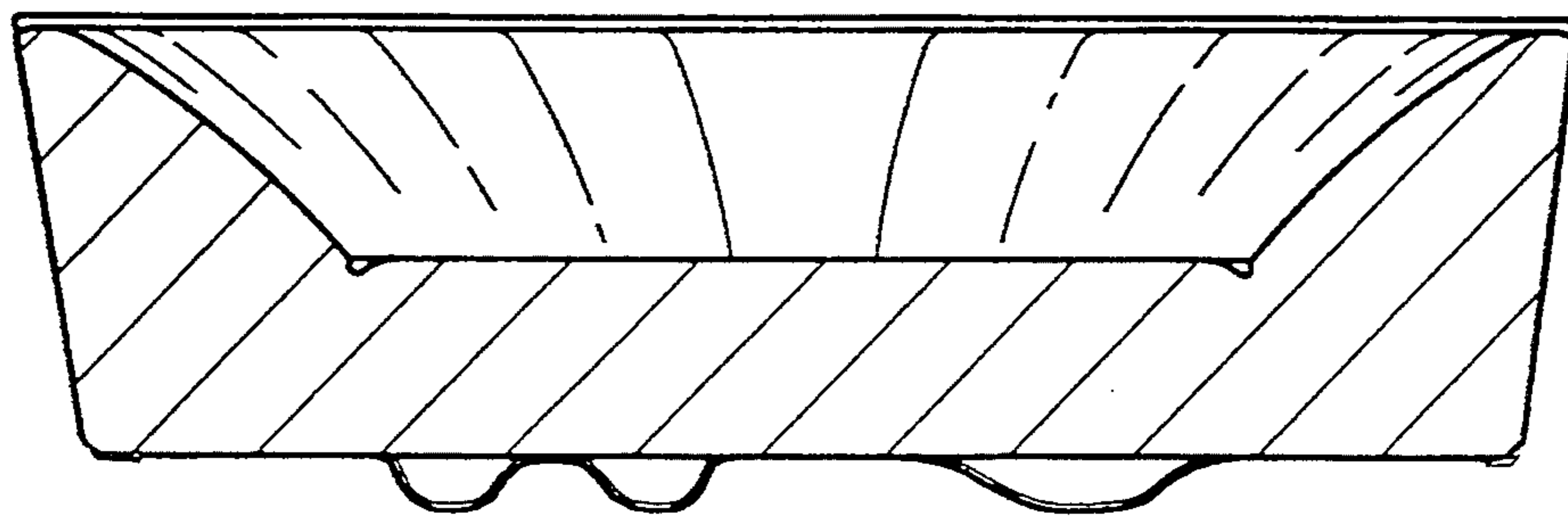
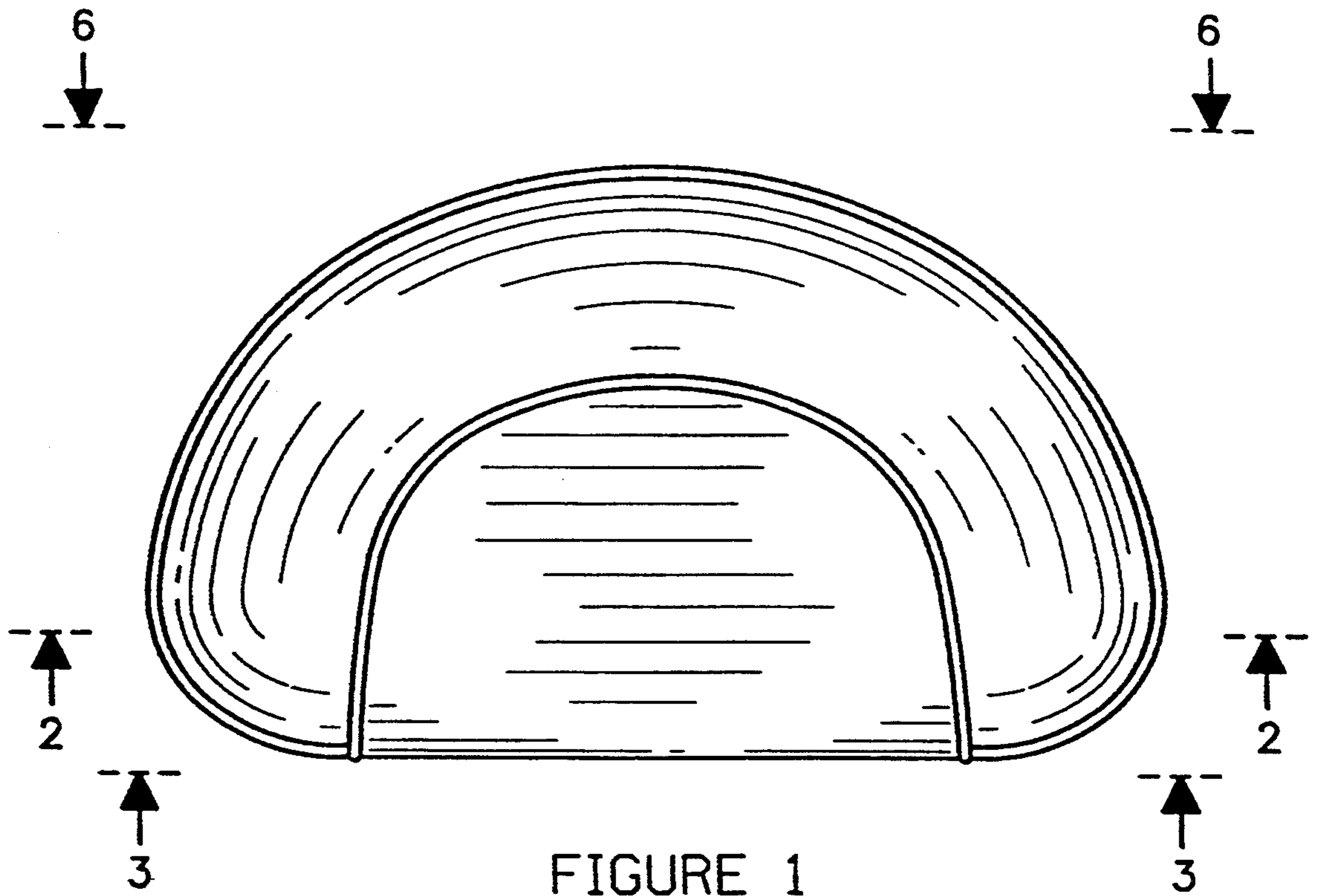


FIGURE 2

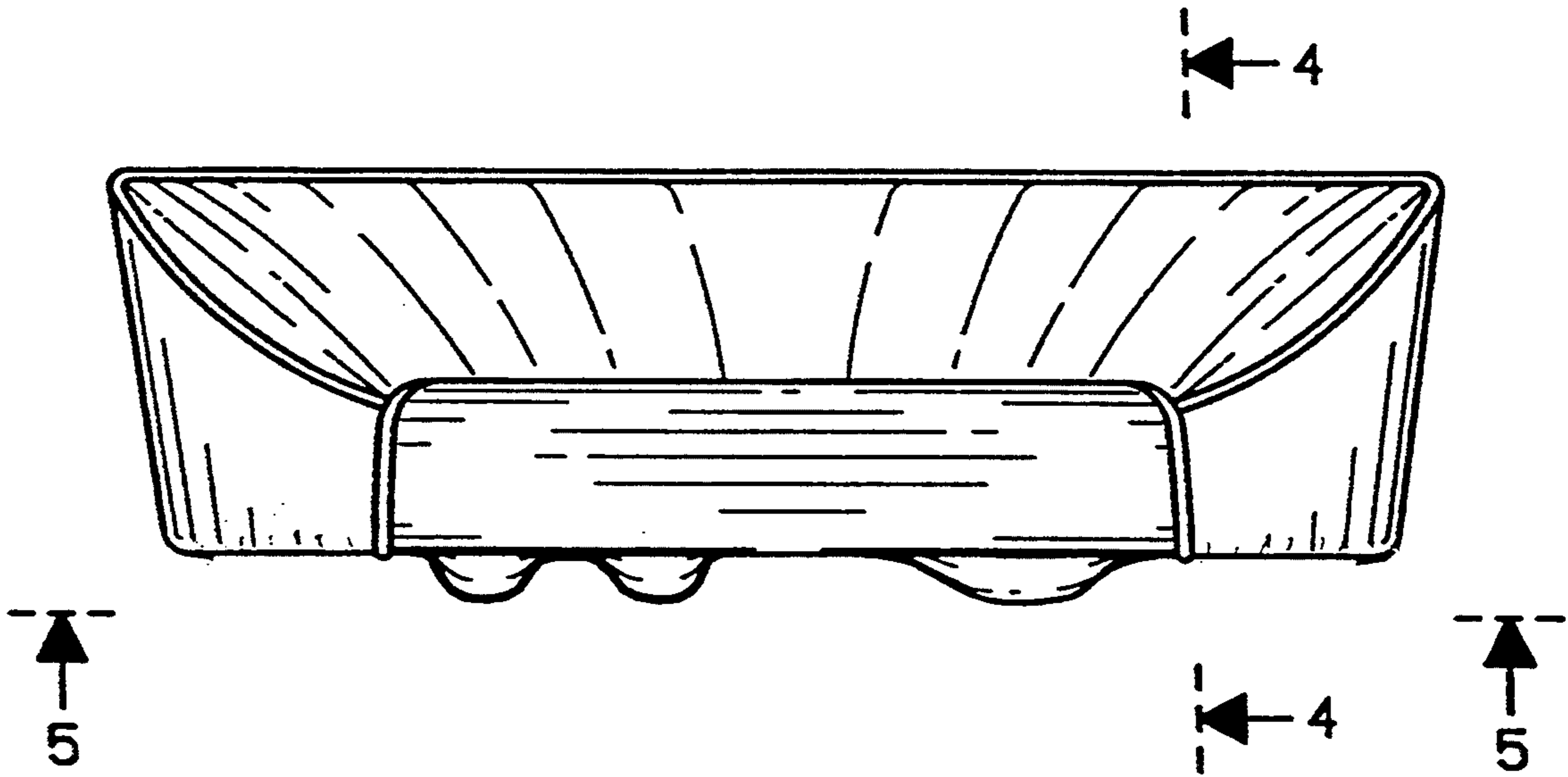


FIGURE 3

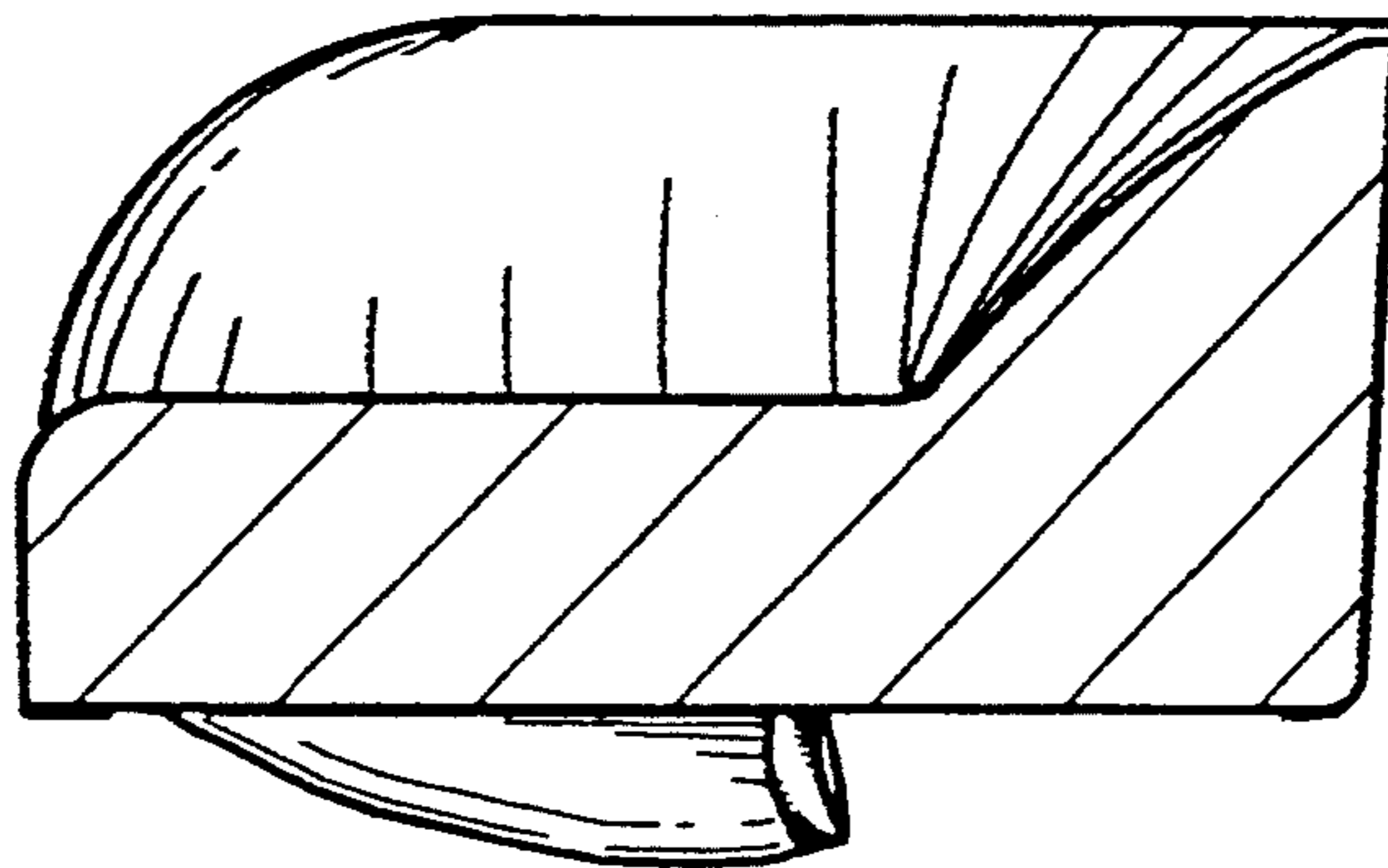


FIGURE 4

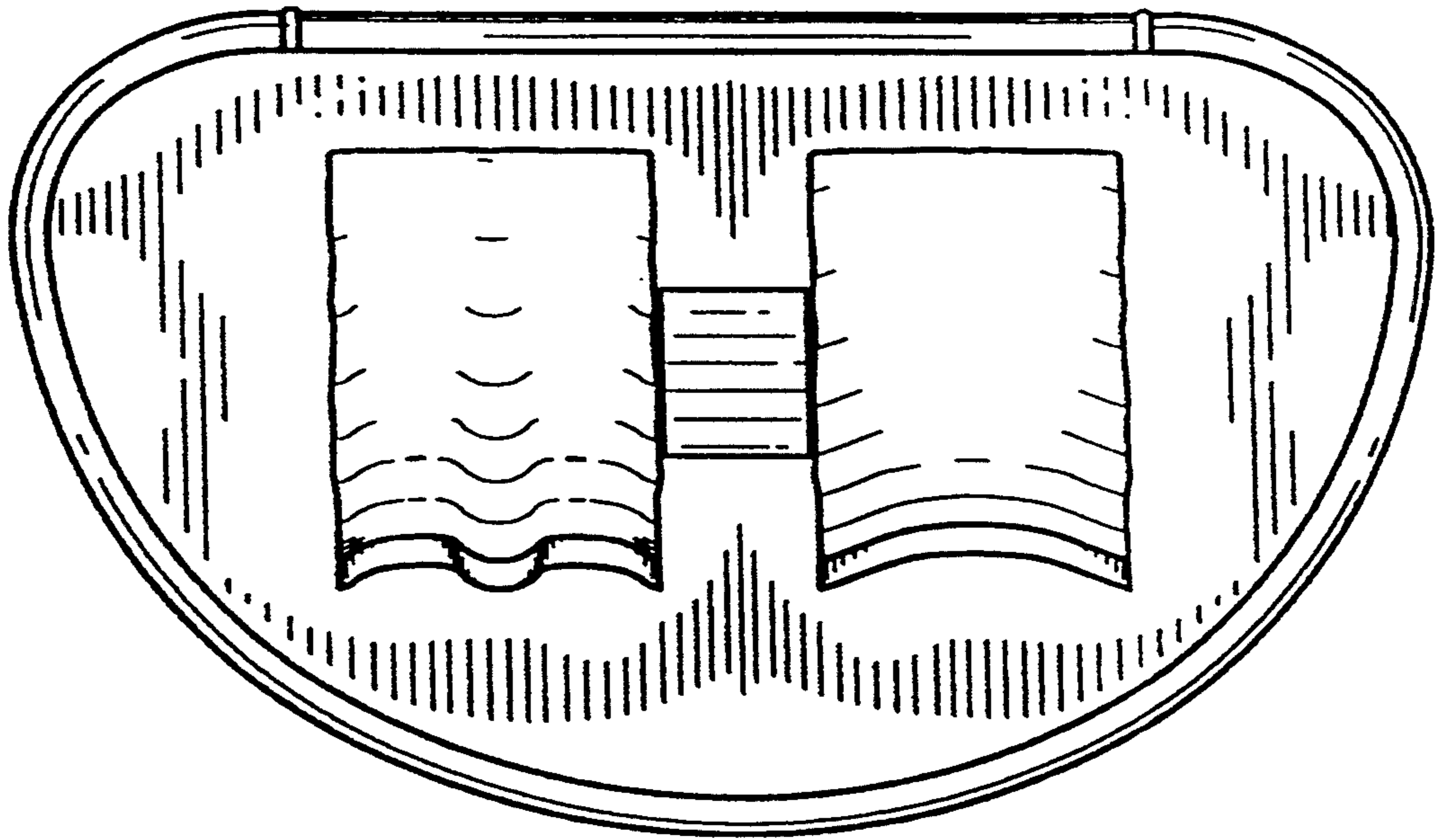


FIGURE 5

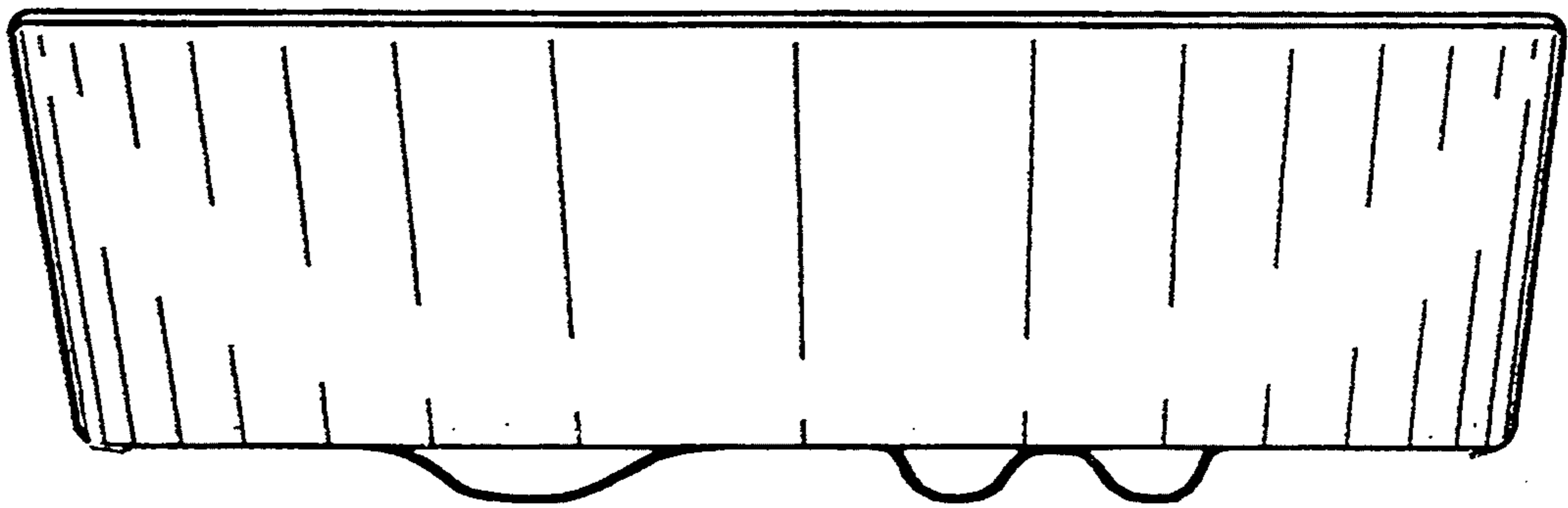


FIGURE 6

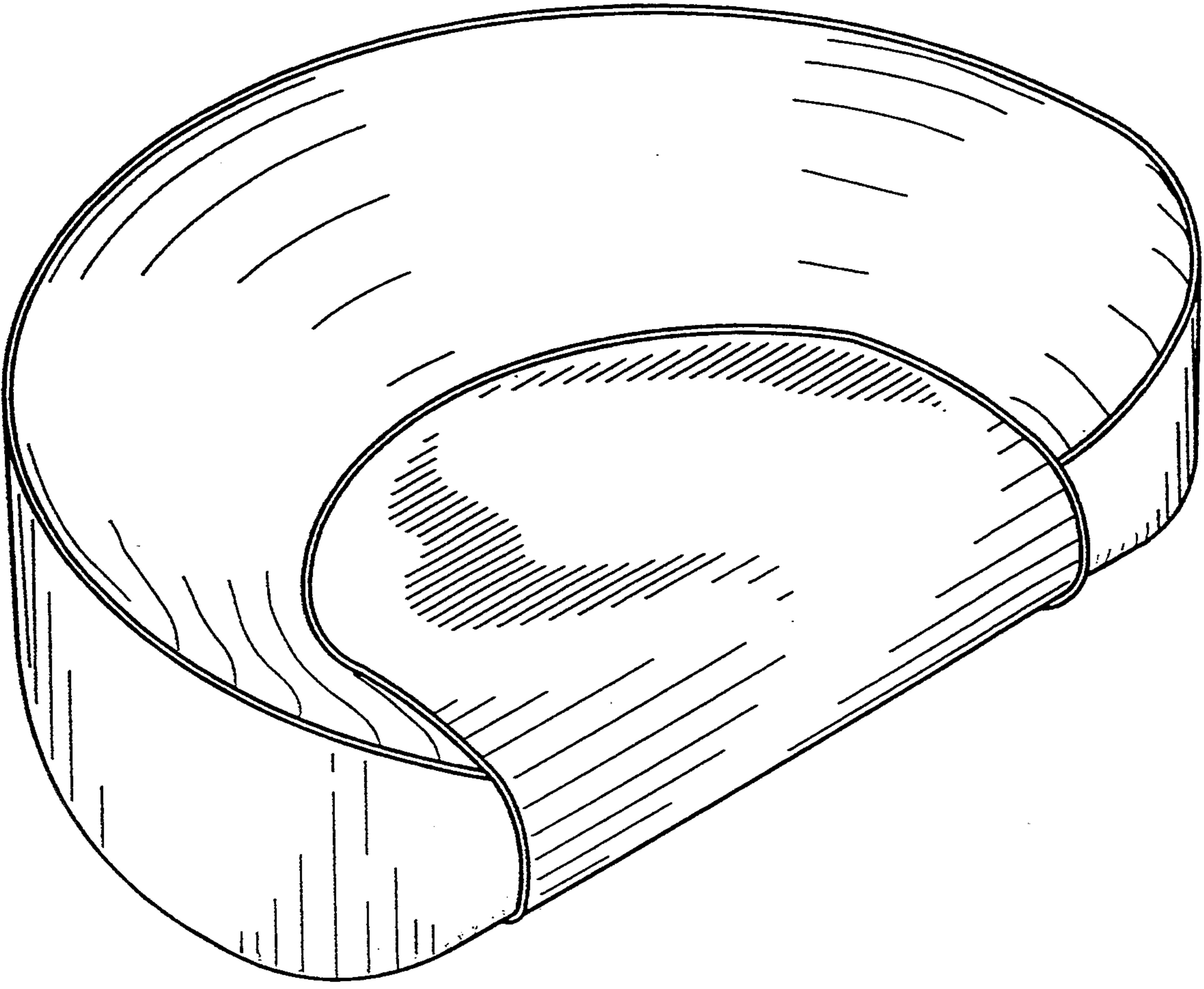


FIGURE 7

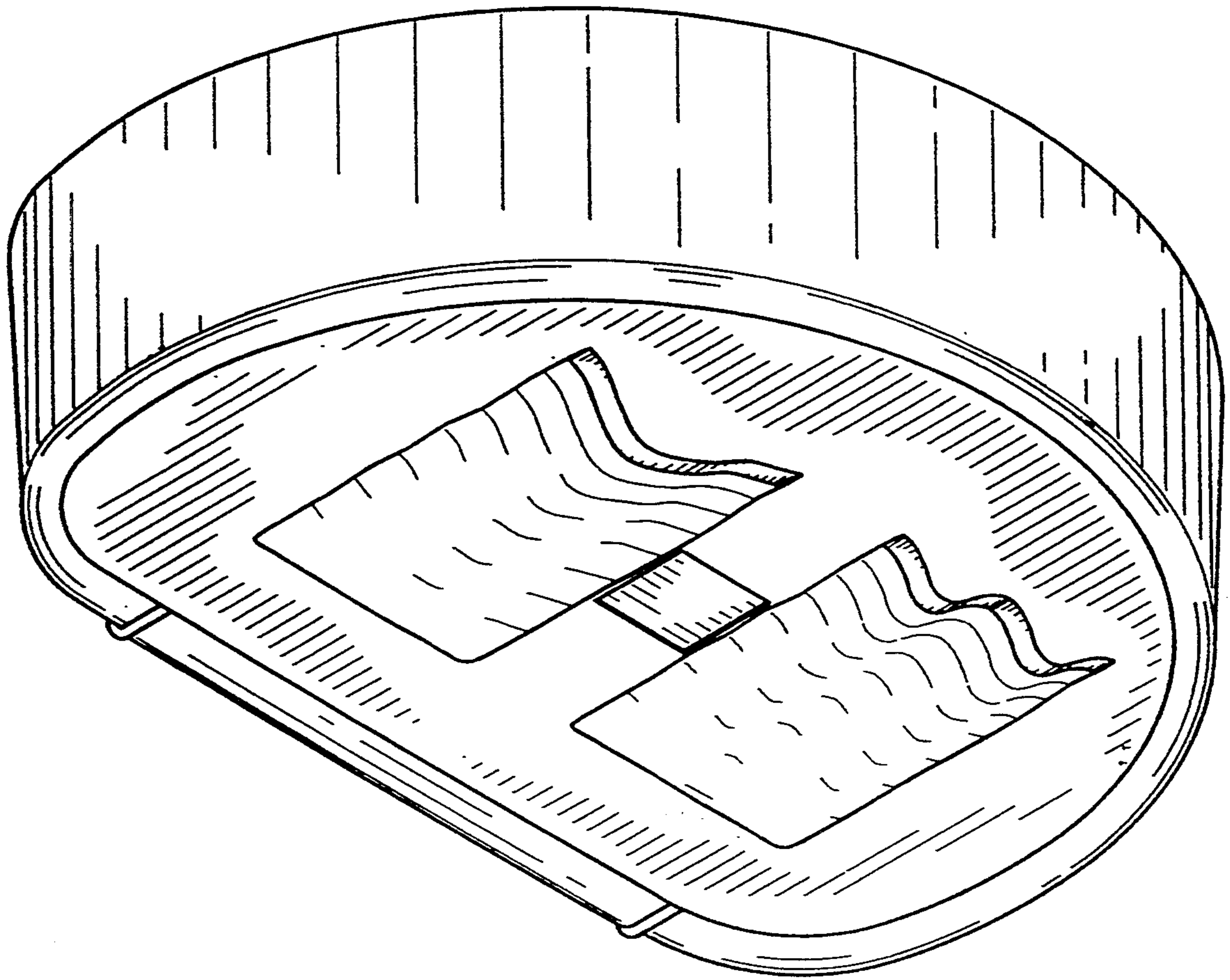


FIGURE 8