



US00D355997S

United States Patent [19]

[11] Patent Number: **Des. 355,997**

Zandstra

[45] Date of Patent: **** Mar. 7, 1995**

[54] **LAWN CHAIR FOOT**

D. 222,430 10/1971 Millar D8/395

[76] Inventor: **Darlene M. Zandstra**, 888 Ada Ave.,
Muskegon, Mich. 49442-4037

D. 248,430 7/1978 Bussey et al. D6/351

D. 290,320 6/1987 Corn et al. D6/491

[**] Term: **14 Years**

Primary Examiner—Janice E. Seeger
Attorney, Agent, or Firm—H. Jay Spiegel

[21] Appl. No.: **14,601**

[57] **CLAIM**

[22] Filed: **Oct. 27, 1993**

The ornamental design for a lawn chair foot, as shown
and described.

[52] U.S. Cl. **D6/491; D6/497**

[58] Field of Search D6/491, 500-502,
D6/497; D8/374, 376, 395, 375; D11/101, 136;
248/346, 346.1

DESCRIPTION

[56] References Cited

U.S. PATENT DOCUMENTS

D. 140,212 1/1945 McLane D6/351

FIG. 1 shows a perspective view of the present invention;
FIG. 2 shows a front view of the present invention;
FIG. 3 shows a side view of the present invention; and,
FIG. 4 shows the other side of the present invention.
The bottom of the article is plain and unornamented.

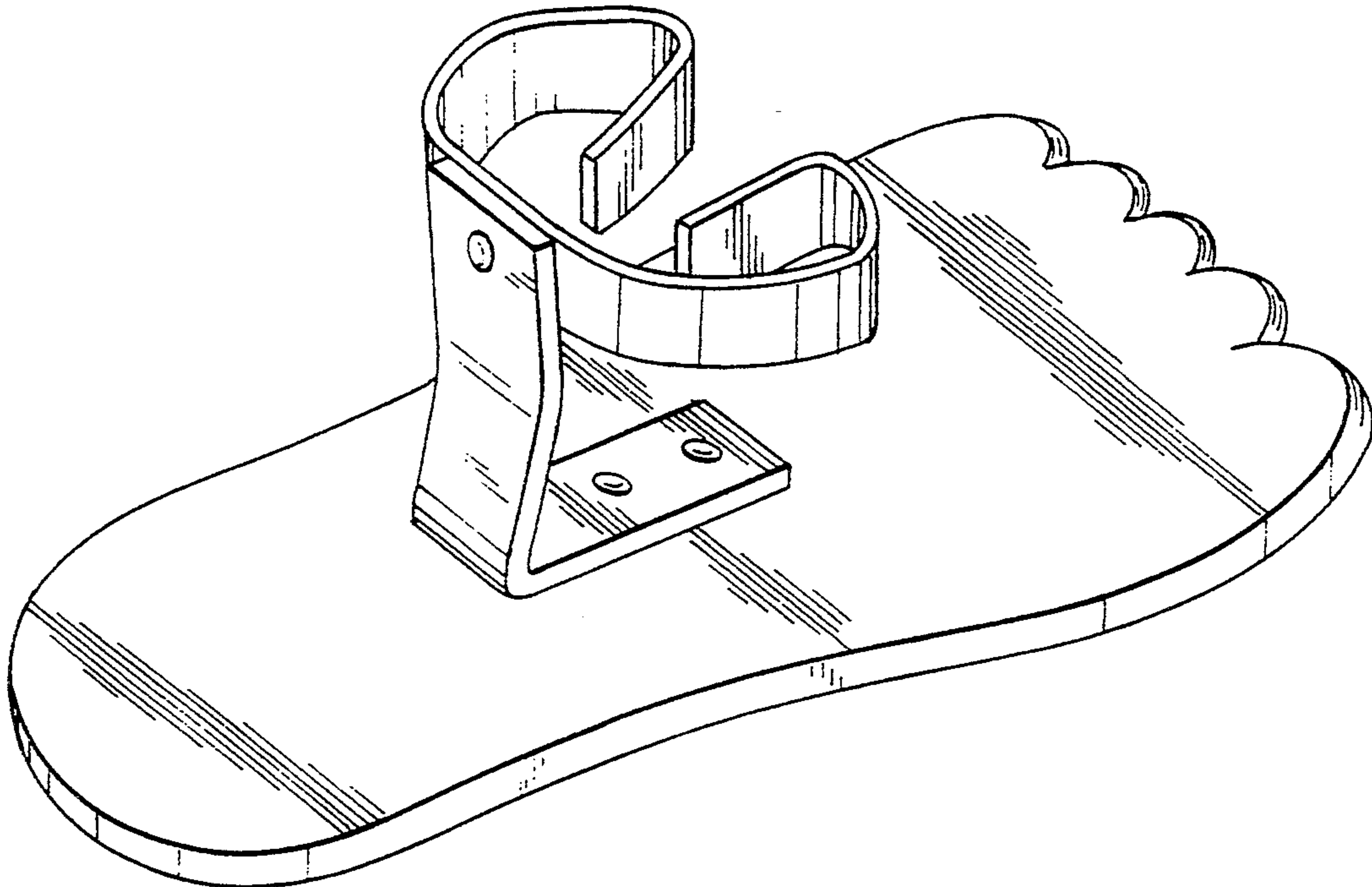


FIG. 1

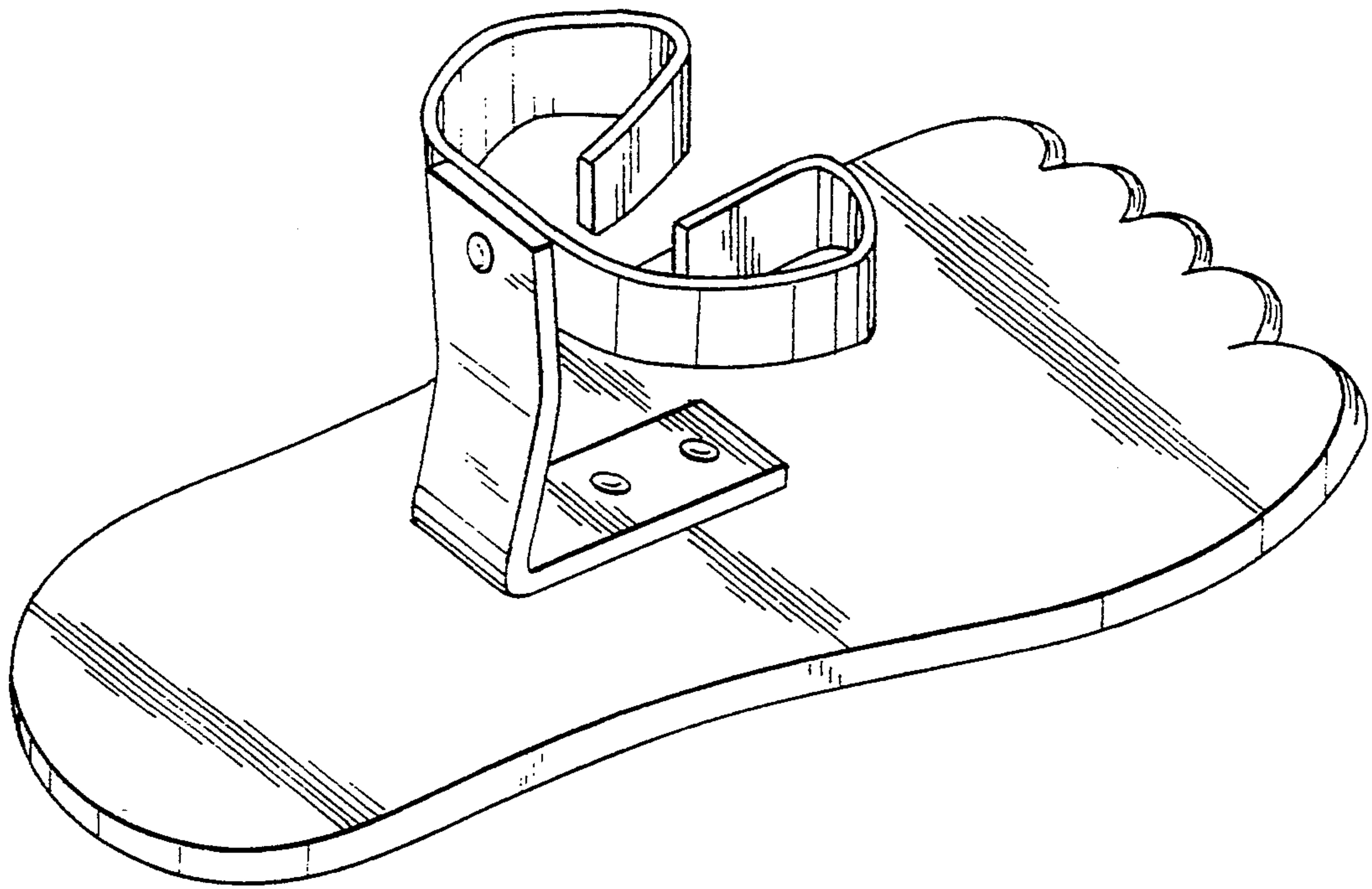


FIG. 2

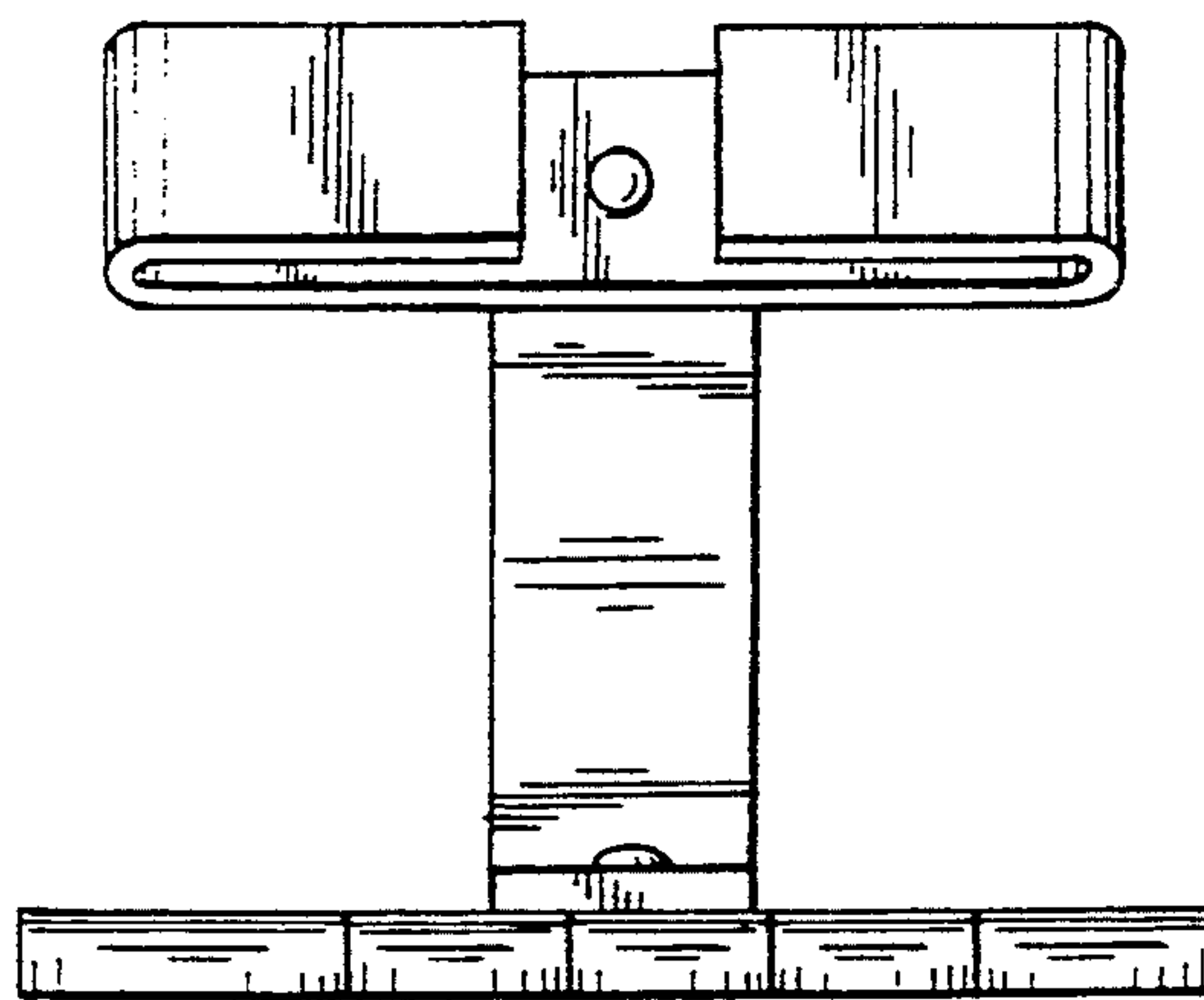


FIG. 3

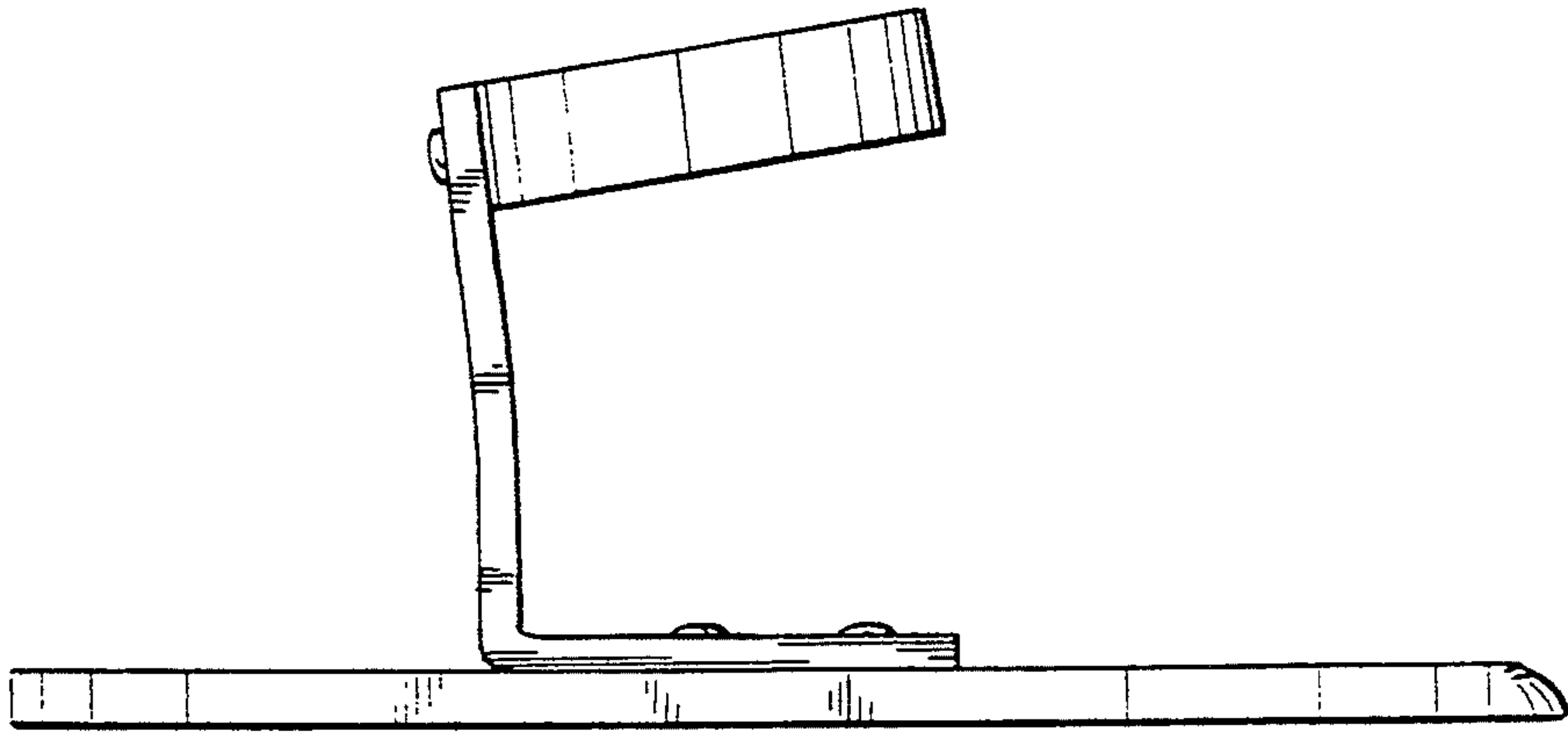


FIG. 4

