



US00D355994S

# United States Patent [19]

[11] Patent Number: **Des. 355,994**

Werner et al.

[45] Date of Patent: **\*\* Mar. 7, 1995**

[54] **CASTLE-STYLE CLIMBING EQUIPMENT DISPLAY**

3,547,224 12/1970 Watts ..... 182/179 X  
3,791,486 2/1974 Marnoch ..... 182/179 X

[75] Inventors: **Michael Werner; Robert D. Beggs; Kevin L. McIntire**, all of Greenville, Pa.

*Primary Examiner*—Alan P. Douglas  
*Assistant Examiner*—S. Snapp  
*Attorney, Agent, or Firm*—Ansel M. Schwartz

[73] Assignee: **Werner Co.**, Greenville, Pa.

[57] **CLAIM**

[\*\*] Term: **14 Years**

The ornamental design for castle-style climbing equipment display, as shown and described.

[21] Appl. No.: **10,178**

**DESCRIPTION**

[22] Filed: **Jun. 29, 1993**

[52] U.S. Cl. .... **D6/449**

[58] Field of Search ..... D6/449, 450, 451; D25/62; 182/179, 27; 211/13, 22, 28, 49.1, 133

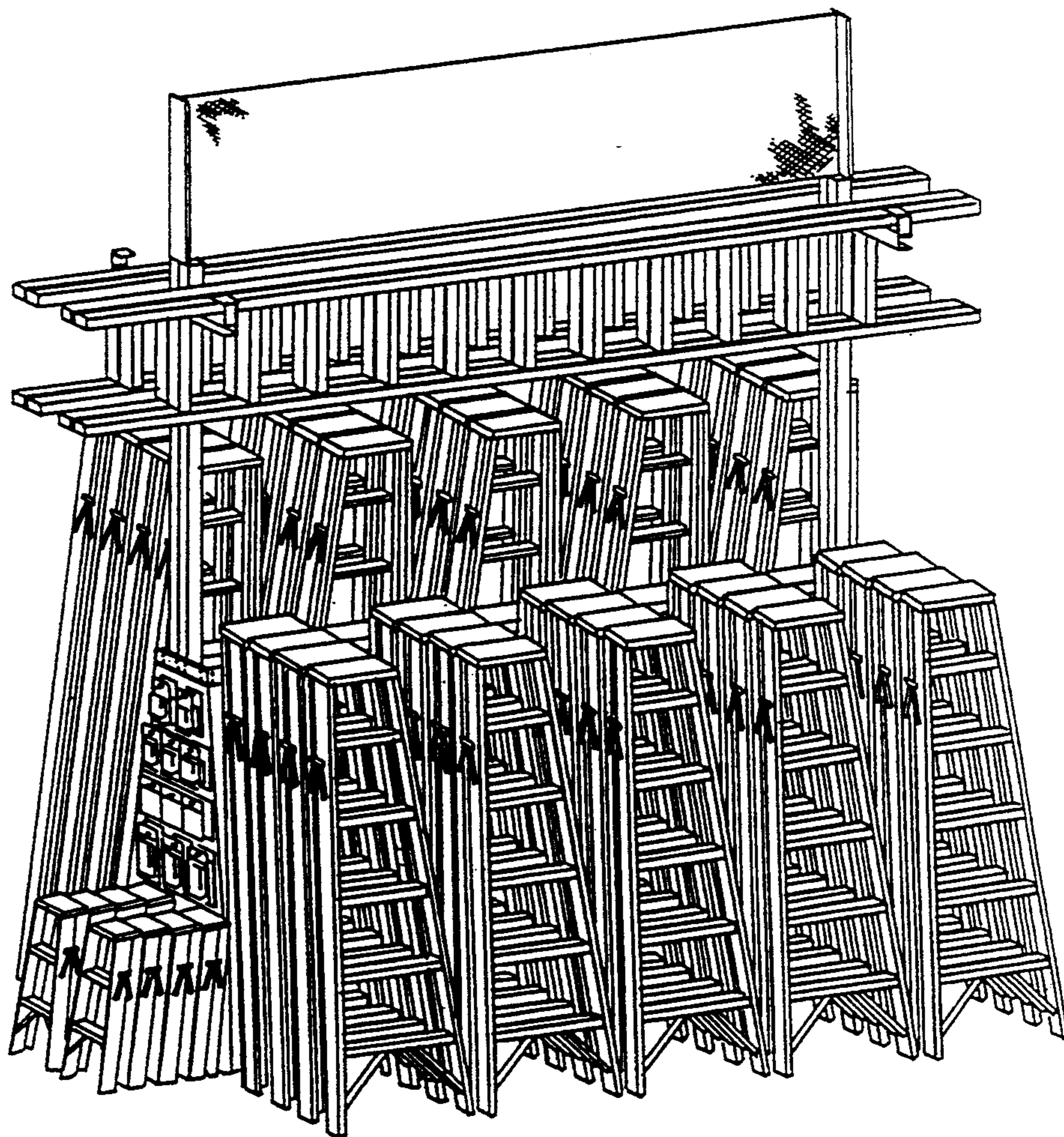
FIG. 1 is a left front perspective view of the display design;  
FIG. 2 is a front plan view of the display design;  
FIG. 3 is a rear plan view of the display design;  
FIG. 4 is a left side view of the display design;  
FIG. 5 is a right side view of the display design; and,  
FIG. 6 is a top plan view of the display design.

[56] **References Cited**

**U.S. PATENT DOCUMENTS**

45,639	4/1914	Lampe	211/13	X
673,968	5/1901	Ross	182/179	X
942,347	12/1909	Pichler	182/179	X
2,066,478	1/1937	Lewin, Jr.	211/13	X
3,108,657	10/1963	Carlson	182/179	X
3,233,753	2/1966	Rich	211/13	X
3,473,627	10/1969	Repka	182/179	X

An internal supporting frame accepts placement of climbing equipment product (e.g. ladders of various styles) for retail display in a specifically arranged configuration as shown. The display design appearance is fixed by the rigid arrangement required by the frame which accepts specific quantities and types of climbing equipment for display which simulates a castle shape.





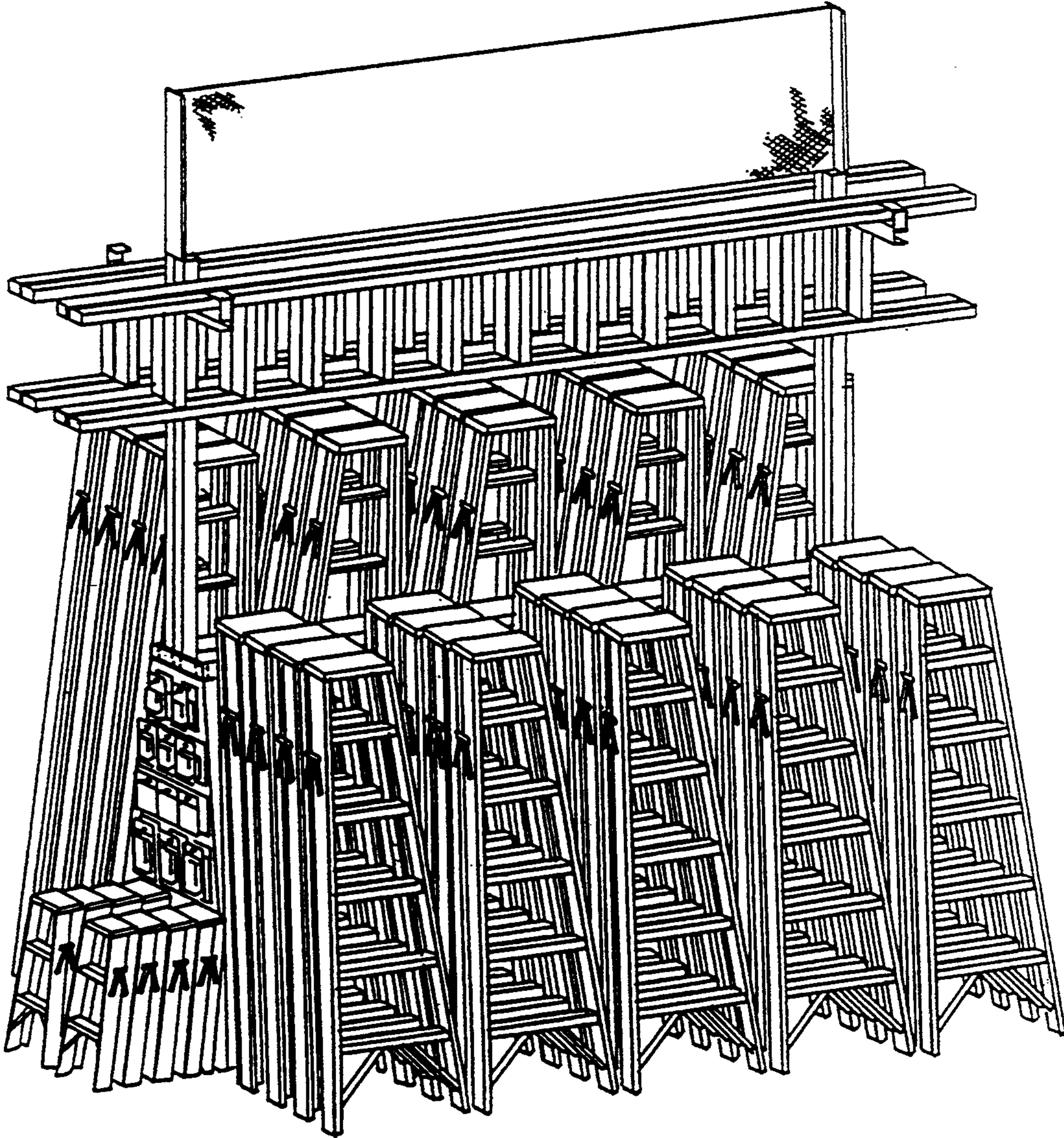


FIG. 1

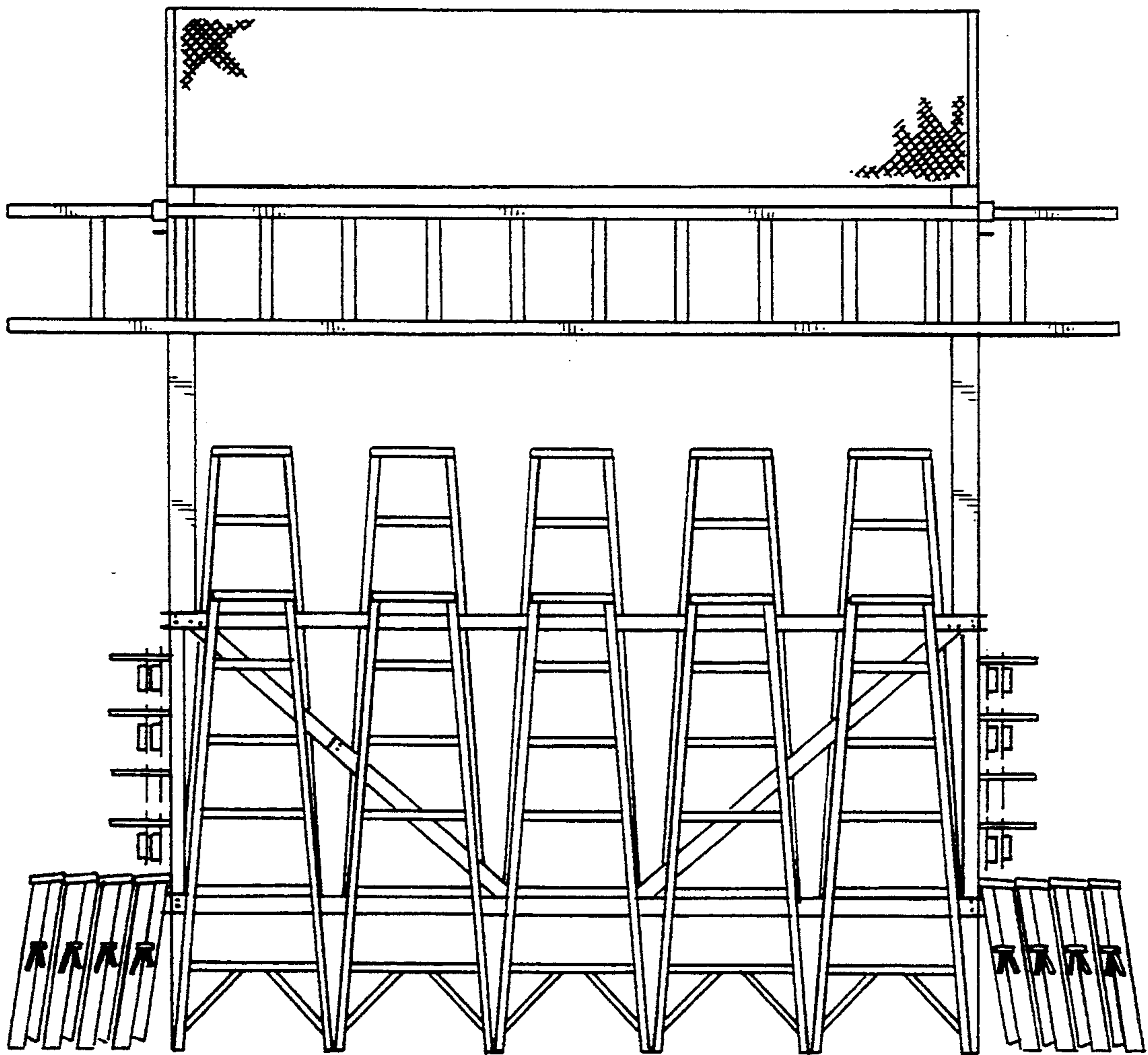


FIG. 2

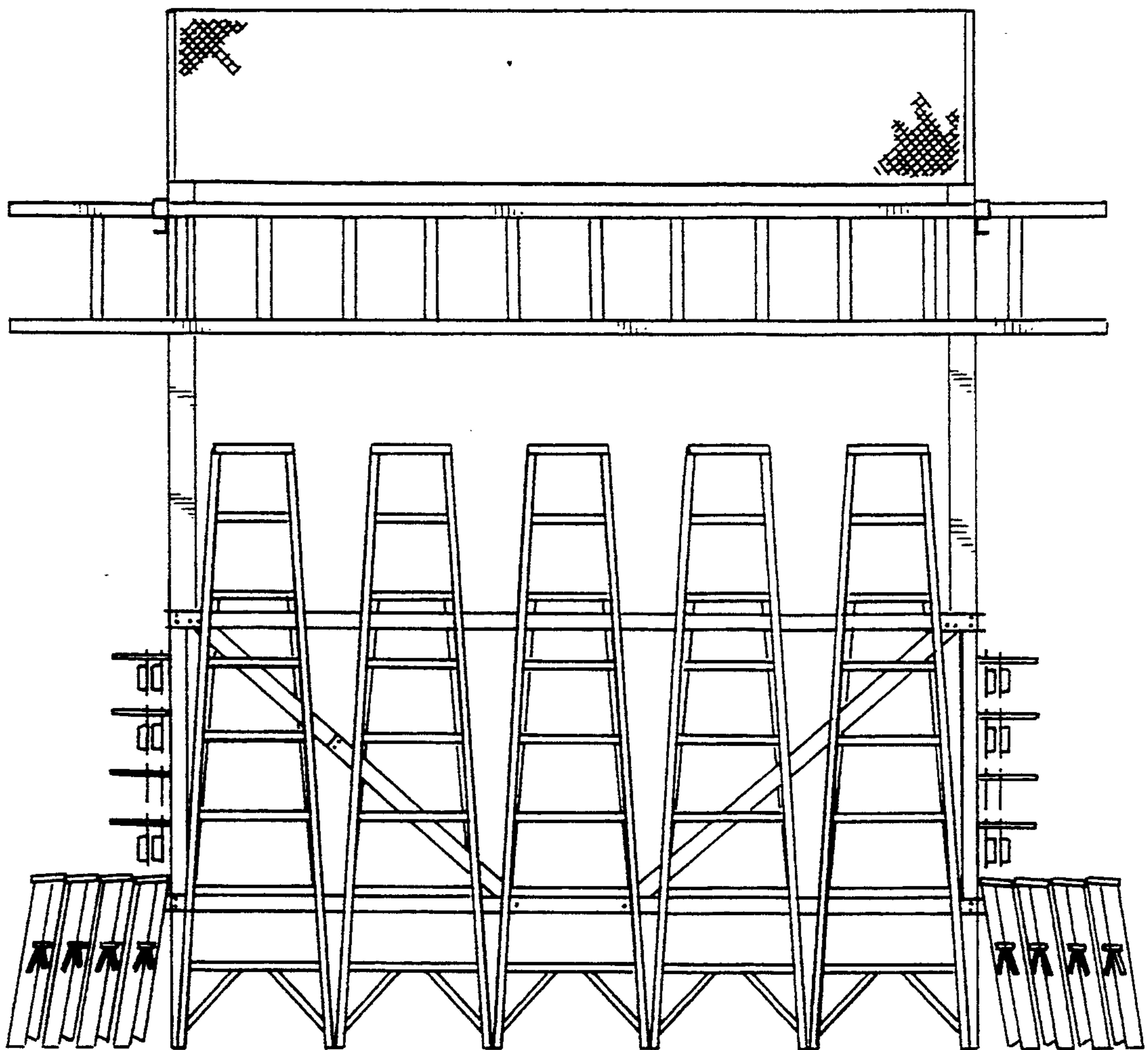


FIG. 3



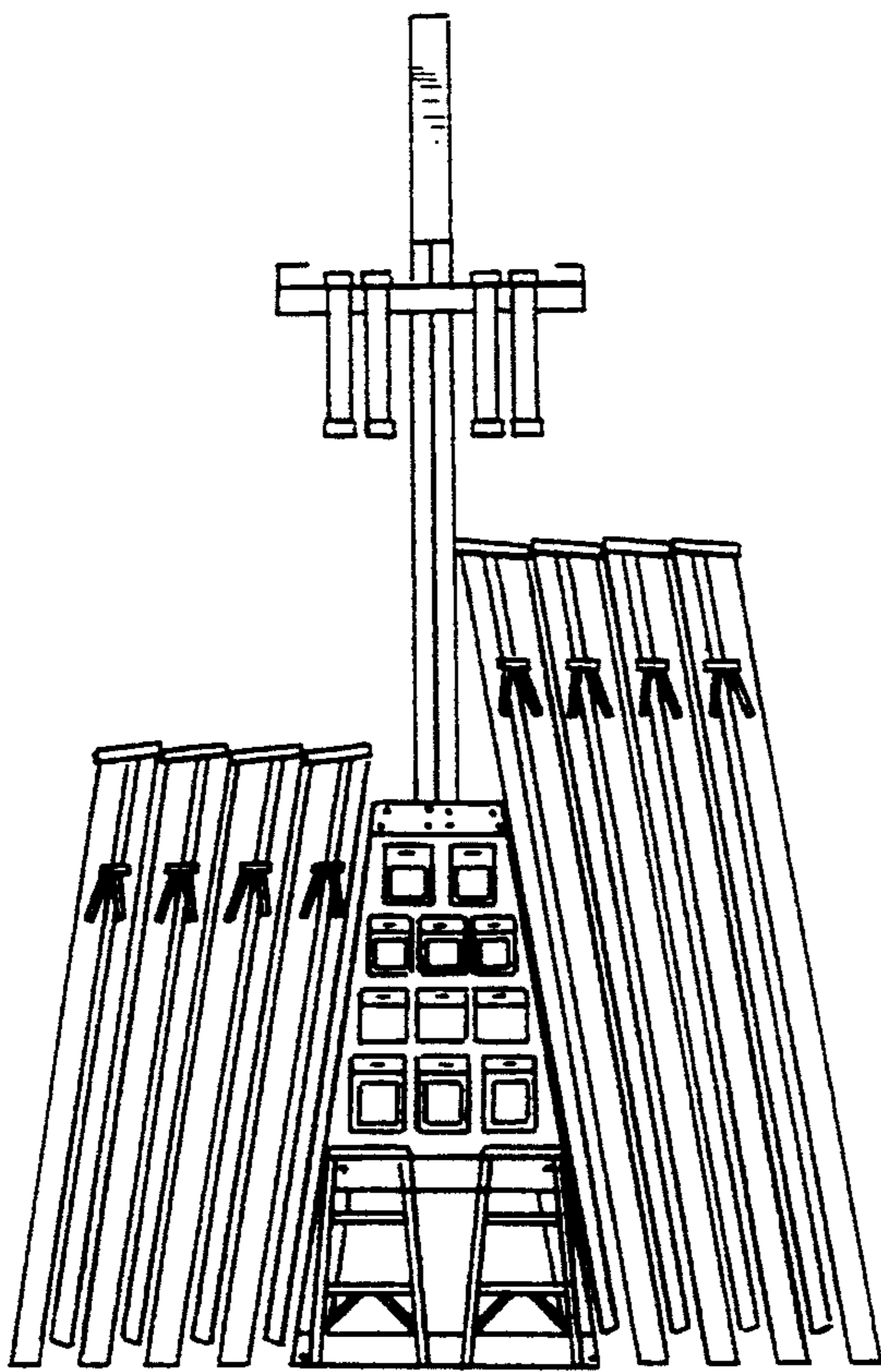


FIG. 4

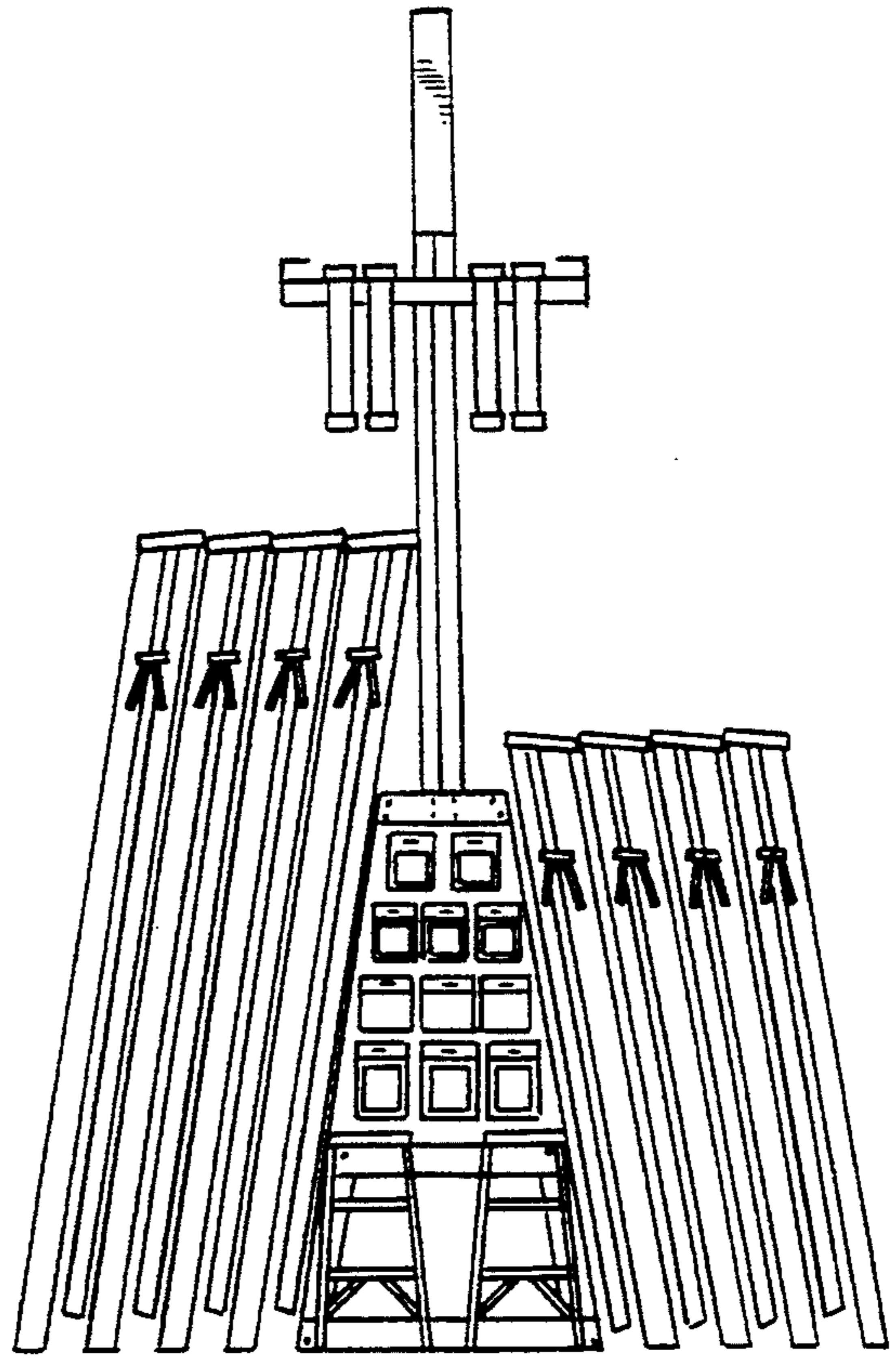


FIG. 5

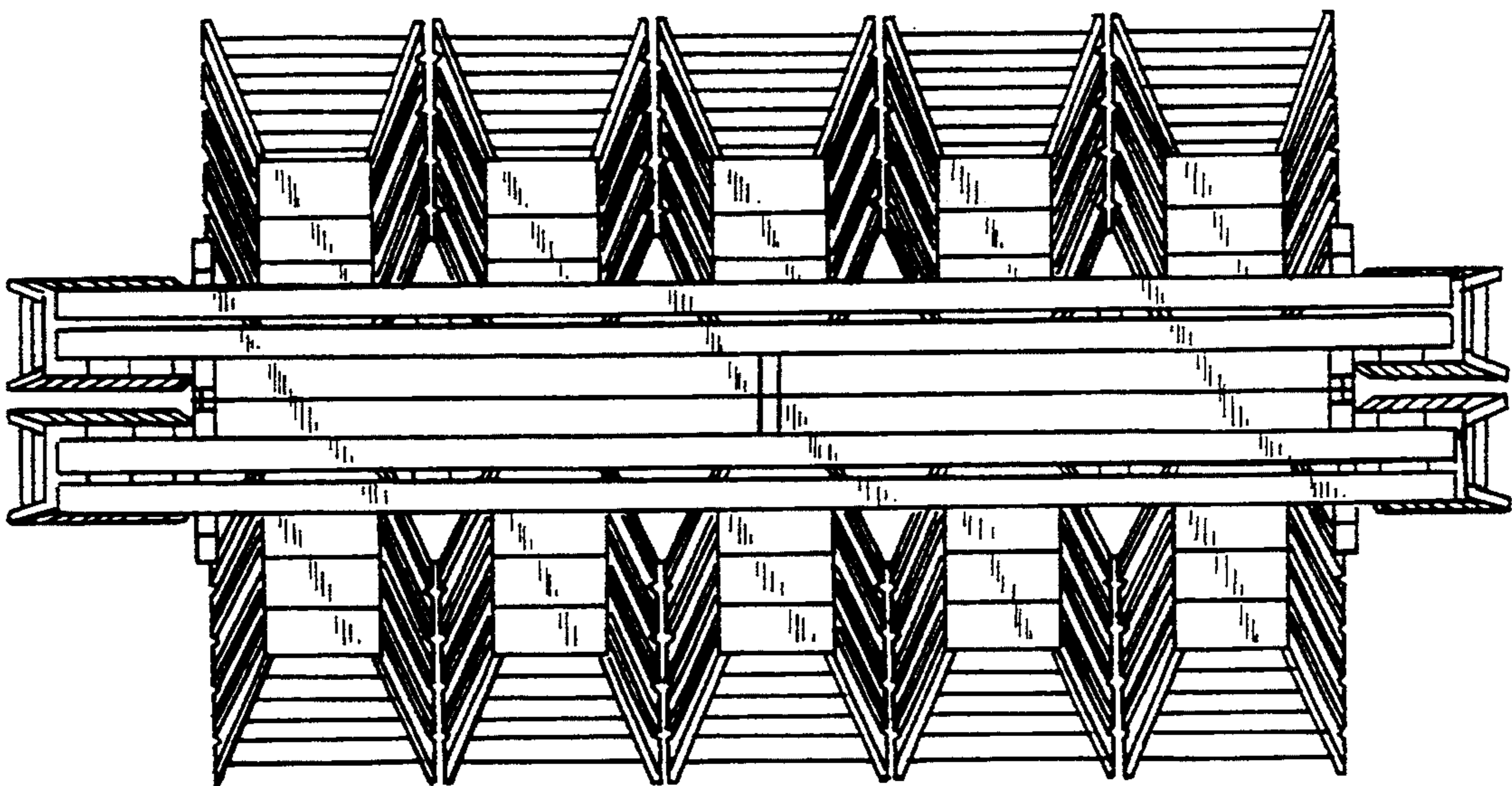


FIG. 6