



US00D355993S

United States Patent [19]

[11] Patent Number: **Des. 355,993**

Pijzel et al.

[45] Date of Patent: **** Mar. 7, 1995**

[54] **FAN DISPLAY STAND**

[76] Inventors: **Willem E. Pijzel**, 28, Dorpsstraat, 3632 At Loenen A/D Vecht; **Annemarie P. Cock Buning**, 3, Van Tedingerbrouckstraat, 2596 PB Den Haag, both of Netherlands

[**] Term: **14 Years**

[21] Appl. No.: **948,961**

[22] Filed: **Sep. 16, 1992**

[30] **Foreign Application Priority Data**

Mar. 16, 1992 [XH] Hague Agreement DM/022 290

[52] U.S. Cl. **D6/449**

[58] Field of Search D3/1, 2, 3, 4; D7/601; D6/449, 450, 451, 464, 437

[56] **References Cited**

U.S. PATENT DOCUMENTS

D. 66,750 3/1925 Pollock D3/3
D. 343,339 1/1994 Merwin D7/601

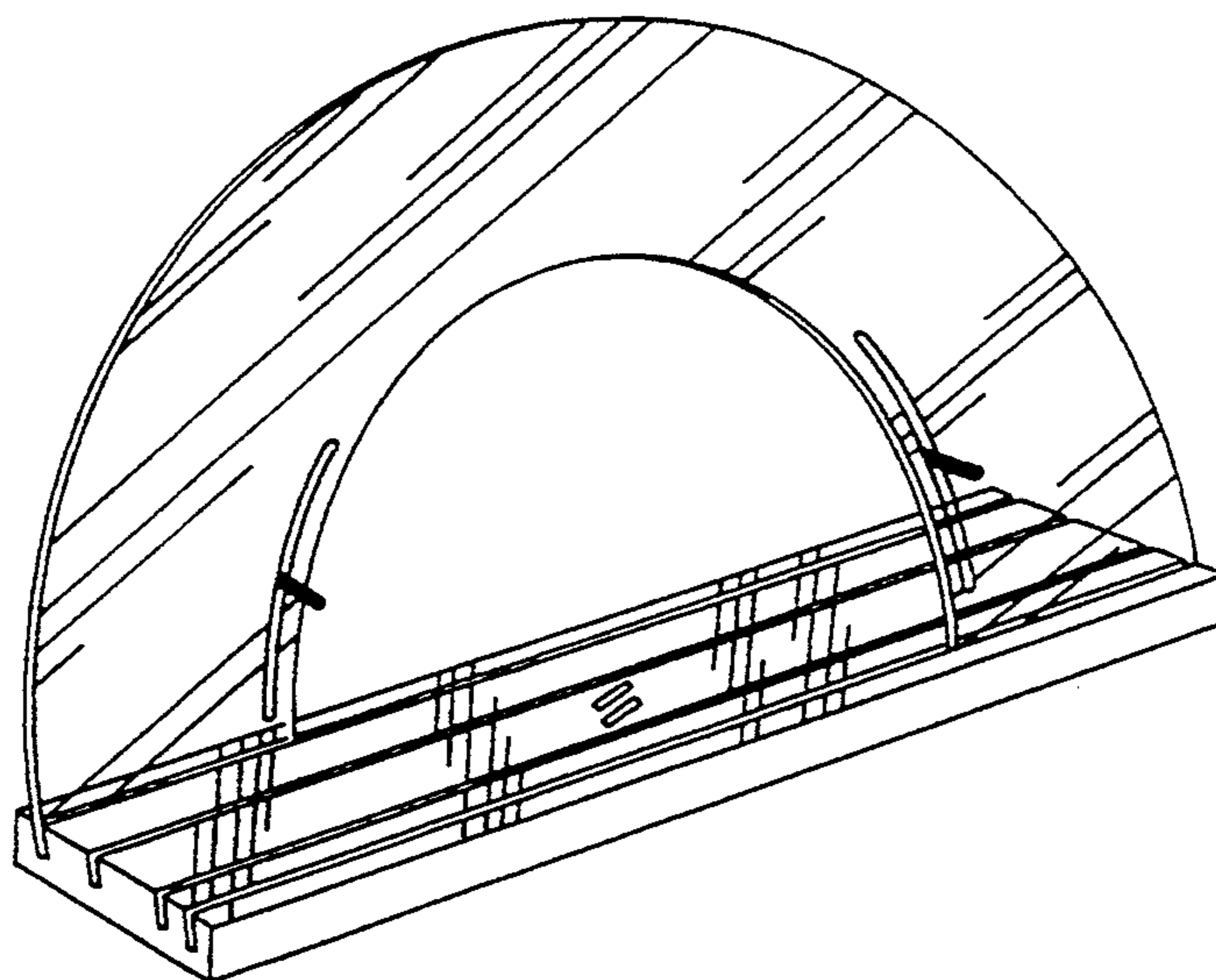
Primary Examiner—Alan P. Douglas
Assistant Examiner—S. Snapp
Attorney, Agent, or Firm—Foley & Lardner

[57] **CLAIM**

The ornamental design for a fan display stand, as shown and described.

DESCRIPTION

FIG. 1 is a perspective view of a fan display stand showing our new design; FIG. 2 is a bottom plan view thereof; and, FIG. 3 is a right side elevation view, the left side being a mirror image thereof.



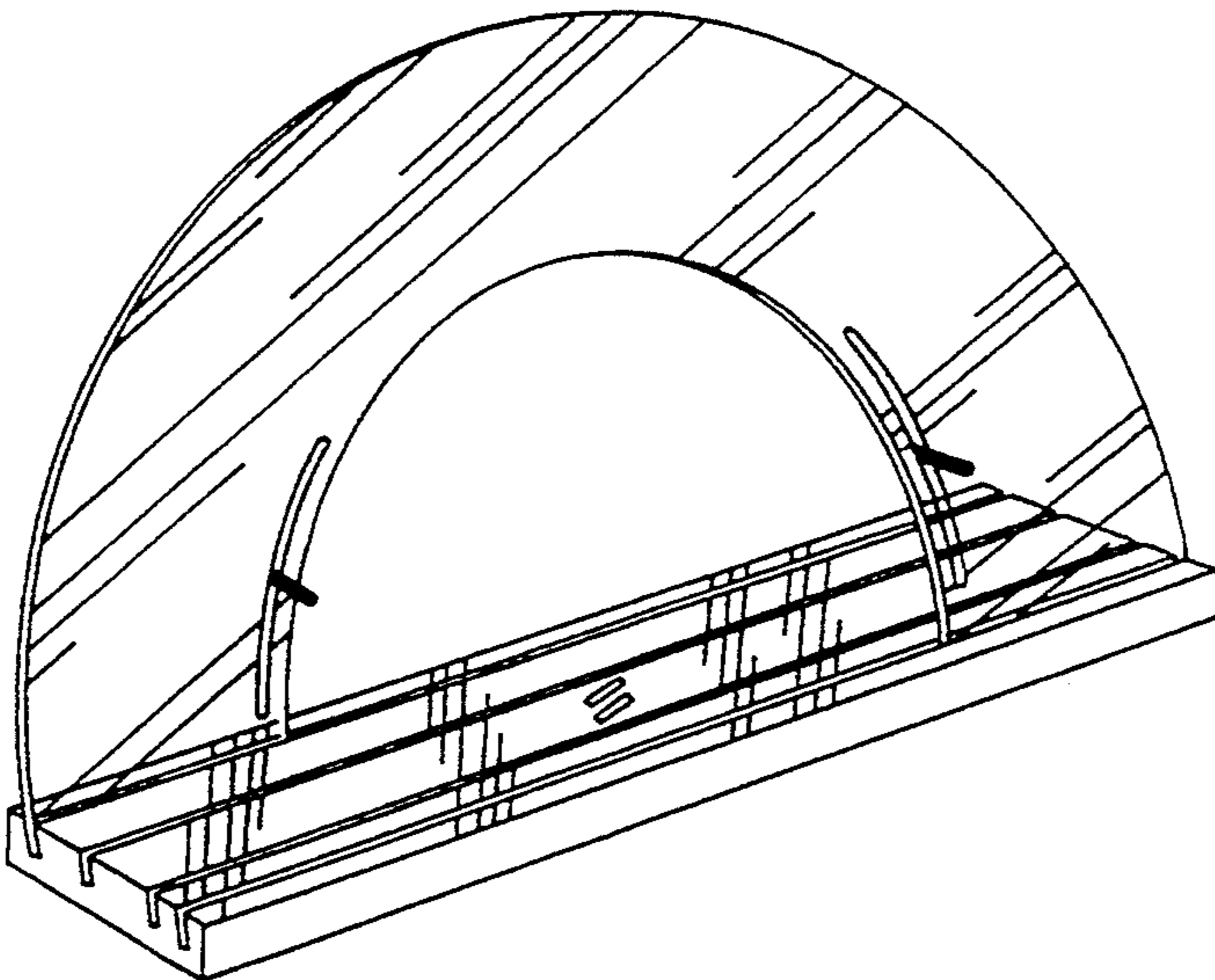


FIG. 1

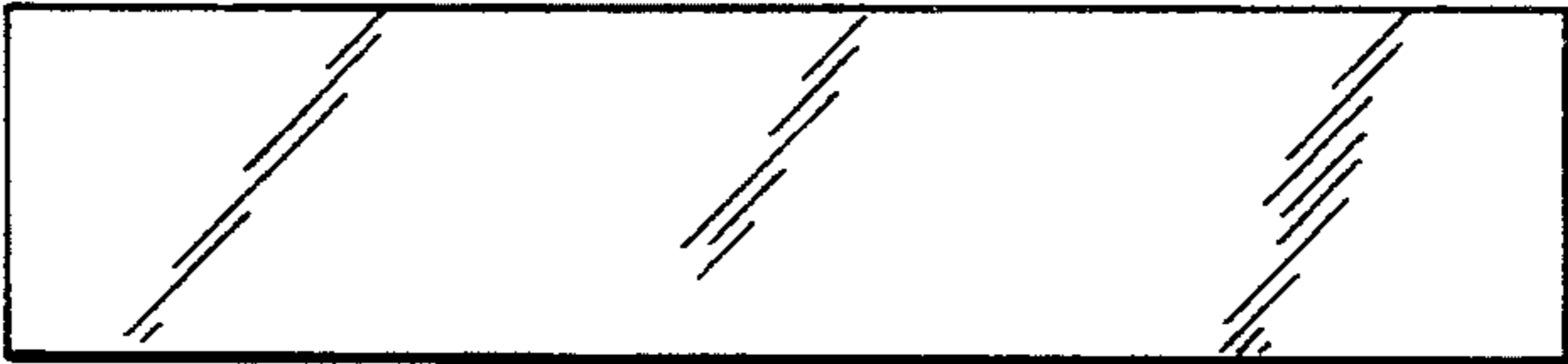


FIG. 2

FIG. 3

