



US00D355991S

United States Patent [19]

[11] Patent Number: **Des. 355,991**

Helm et al.

[45] Date of Patent: **** Mar. 7, 1995**

[54] BAG STAND

1,555,019 9/1925 MacDonald 248/96

[76] Inventors: **Eugene I. Helm**, 7500 SW. Lakeside Loop, Wilsonville, Oreg. 97070;
Jerie A. Brickner, P.O. Box 219253, Portland, Oreg. 97225

FOREIGN PATENT DOCUMENTS

1352313 5/1974 United Kingdom 248/96

[**] Term: **14 Years**

Primary Examiner—Melvin B. Feifer
Attorney, Agent, or Firm—Edward B. Watters

[21] Appl. No.: **6,211**

[57] CLAIM

[22] Filed: **Jan. 28, 1993**

The ornamental design for a bag stand, as shown and described.

[52] U.S. Cl. **D6/462; D8/385; D34/6; D6/417**

DESCRIPTION

[58] Field of Search **D21/223; D34/5, 6; D6/462, 566, 417, 418; 211/70.2; 206/315.7; 248/96; D8/395**

FIG. 1 is a right side elevational view of a bag stand showing our new design, the left side being a mirror image of that shown;

FIG. 2 is a top plan view thereof;

FIG. 3 is a bottom plan view thereof;

FIG. 4 is a rear elevational view thereof; and,

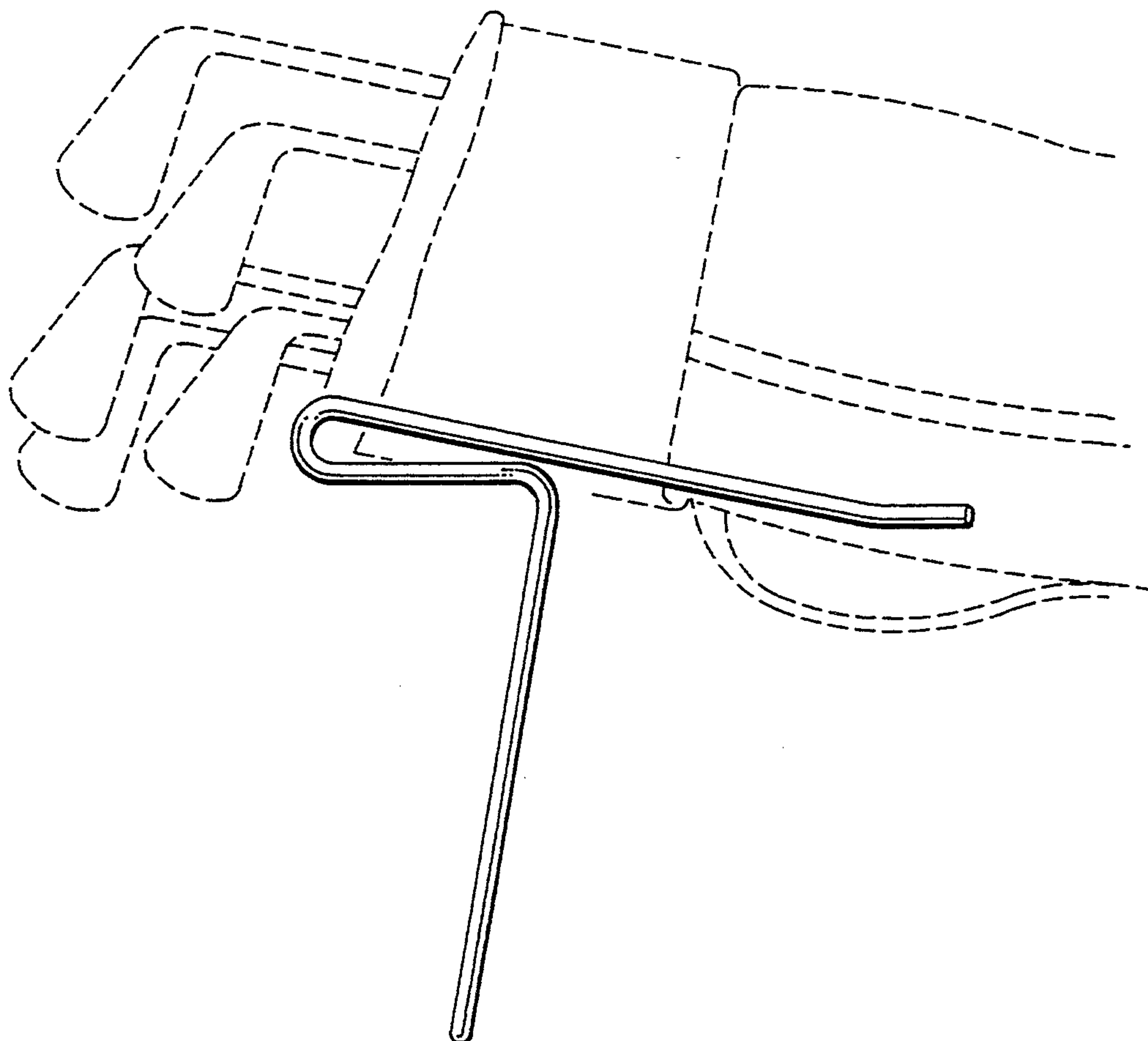
FIG. 5 is a front elevational view thereof.

[56] References Cited

U.S. PATENT DOCUMENTS

D. 319,125 8/1991 Currie D34/6
D. 340,825 11/1993 Gibson D6/566
1,485,113 2/1924 De Blieux 248/96

The broken line showing of a partial golf bag in FIG. 1 is for illustrative purposes only and forms no part of our design.



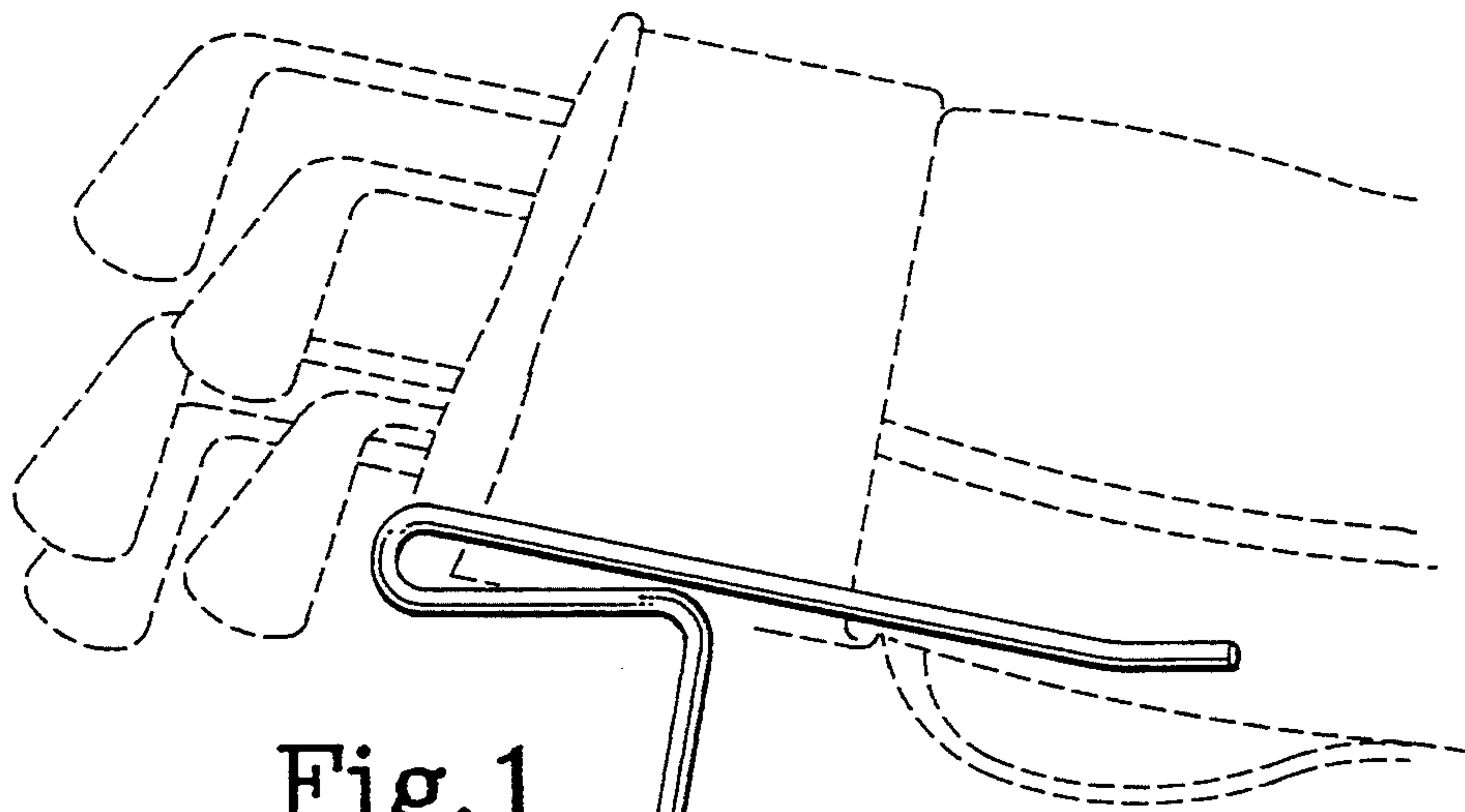


Fig. 1

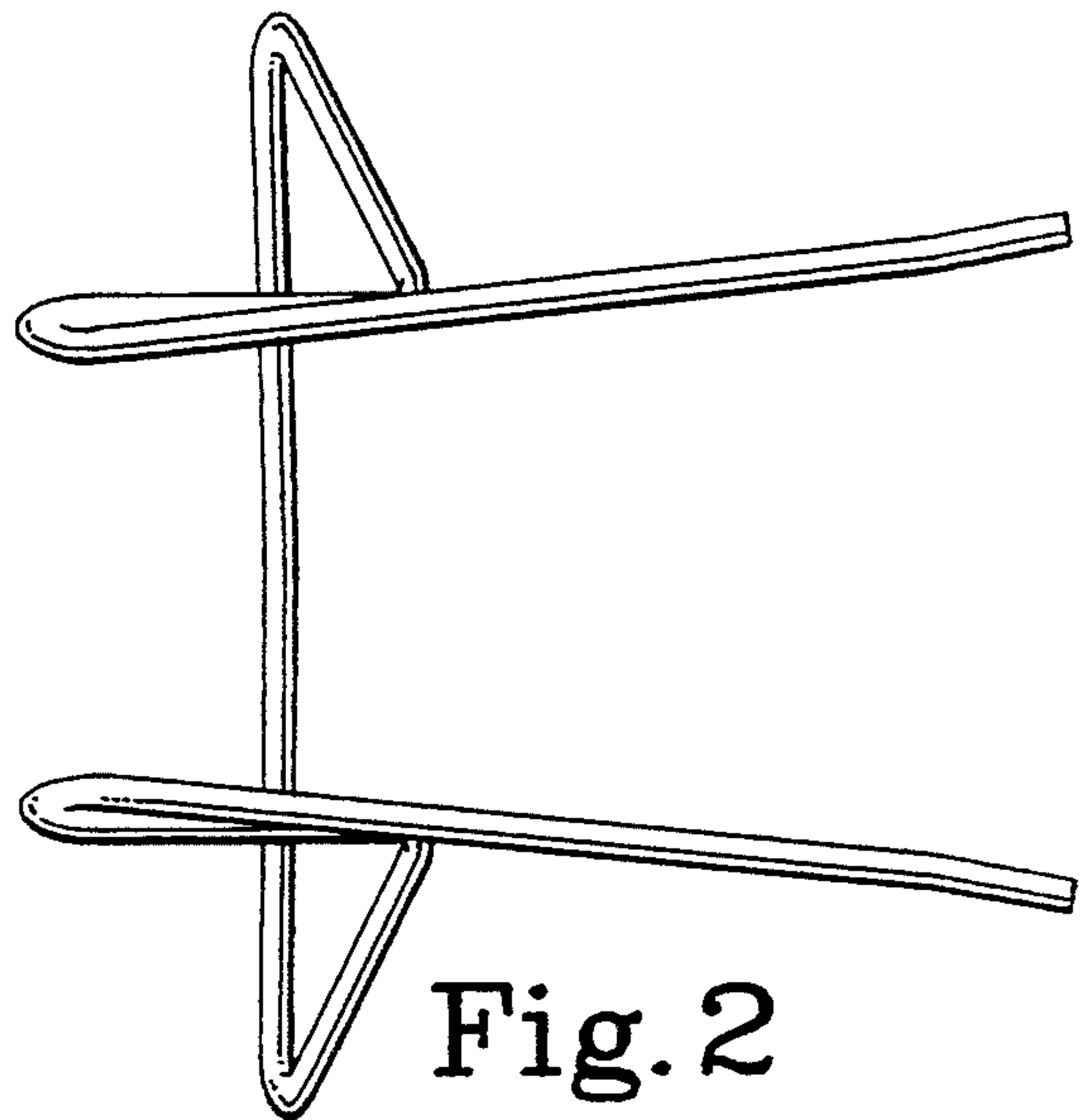


Fig. 2

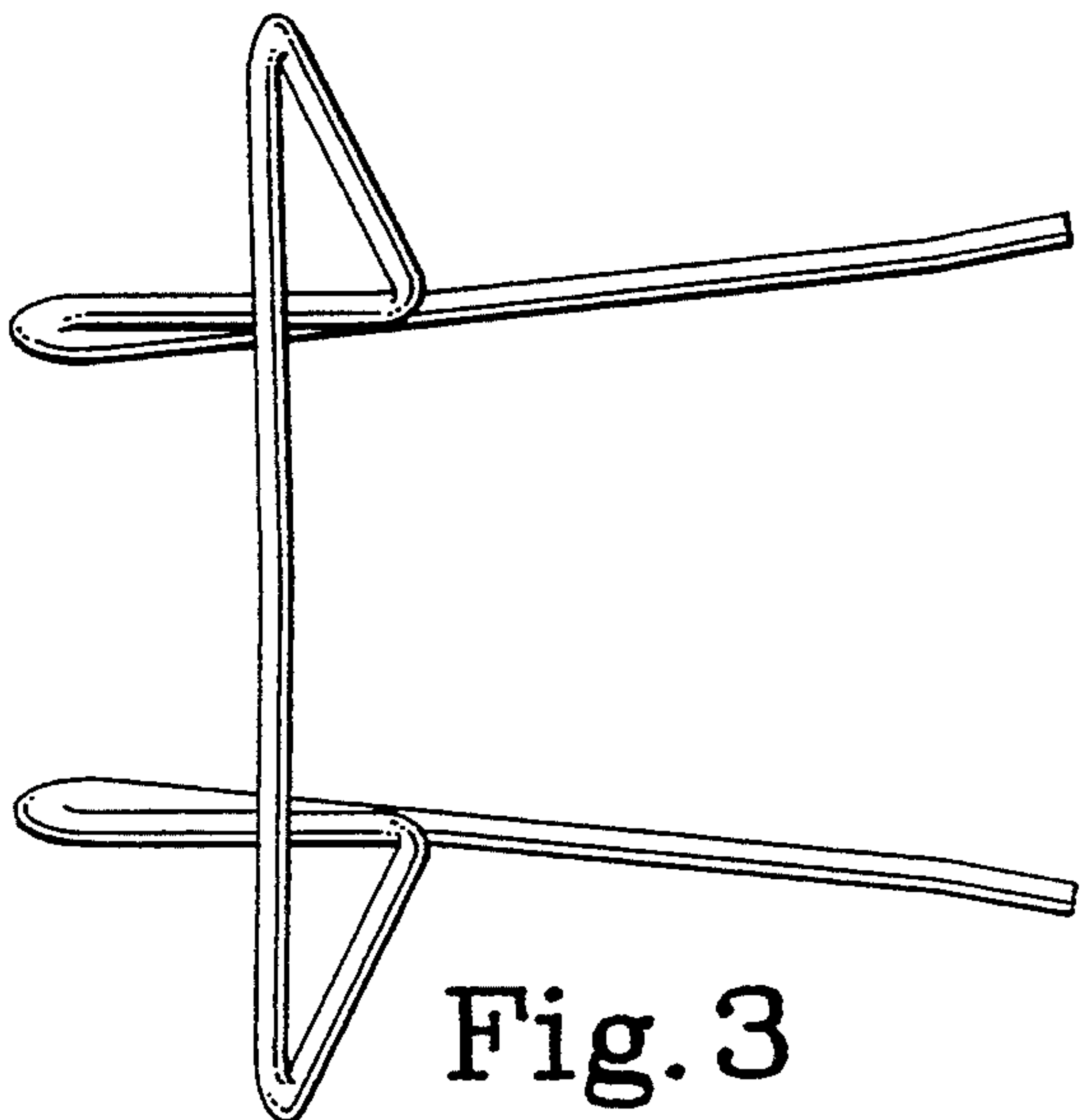


Fig. 3

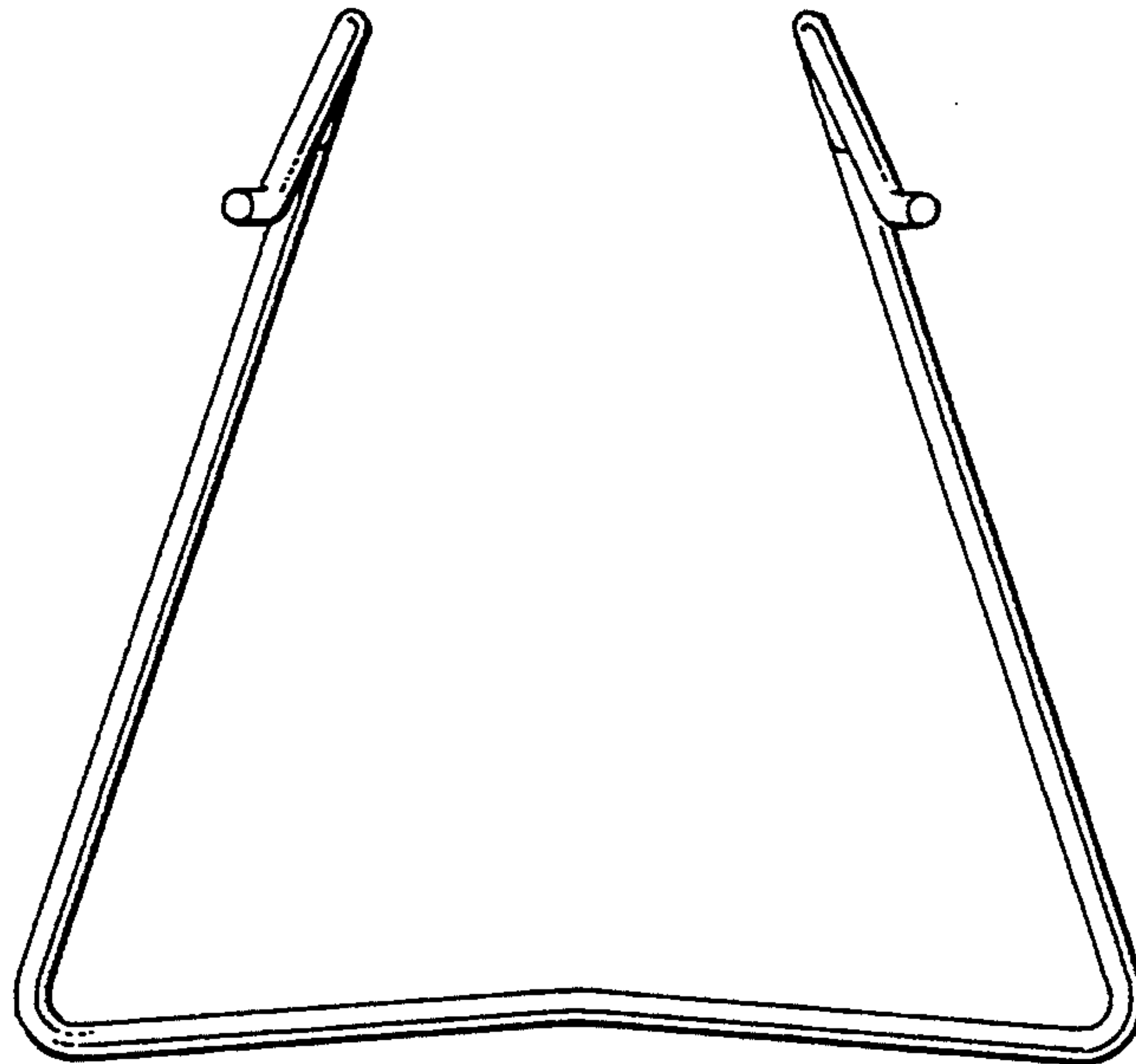


Fig. 4

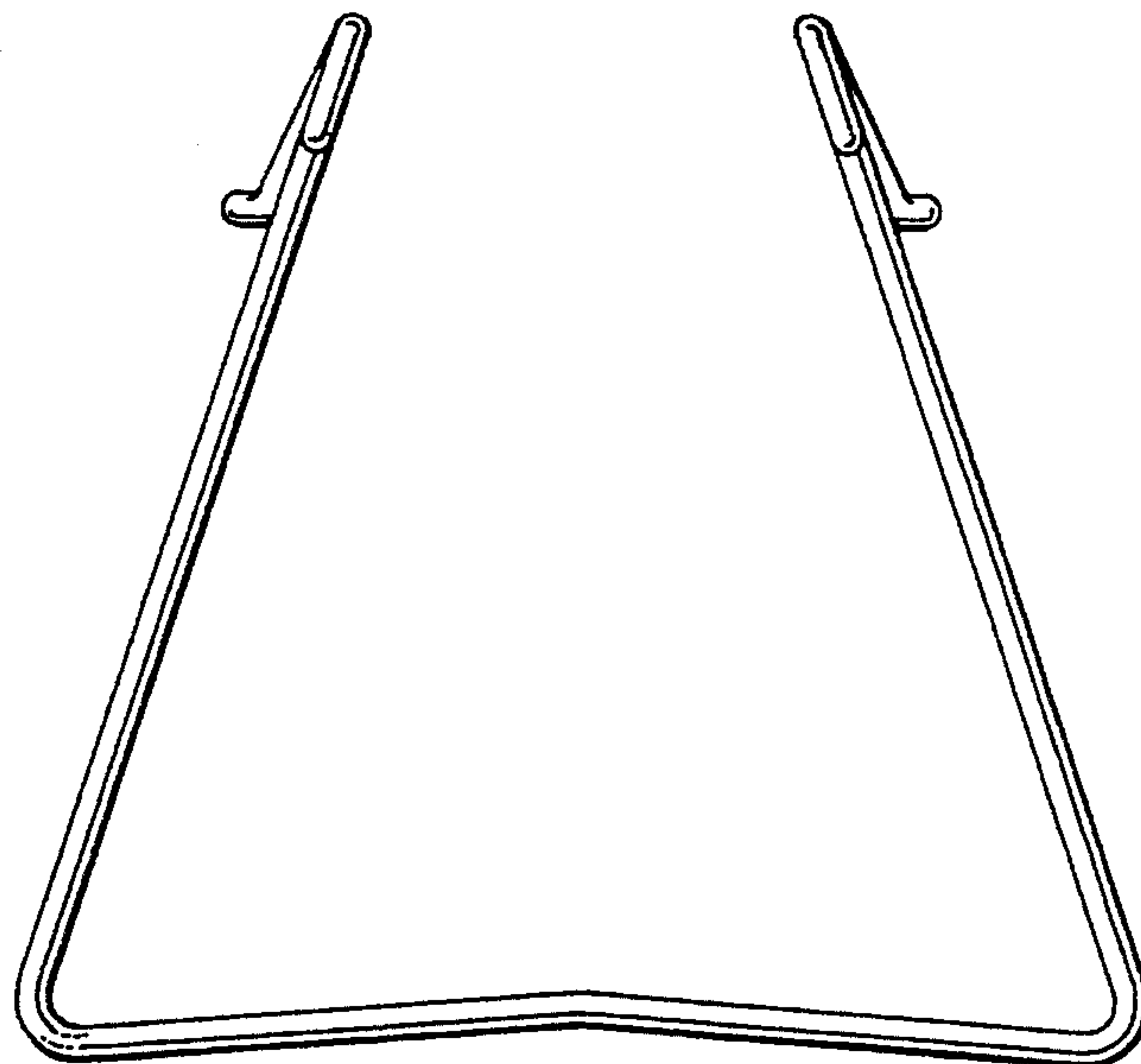


Fig. 5