



US00D355990S

United States Patent [19]

[11] Patent Number: **Des. 355,990**

Vincelli

[45] Date of Patent: **** Mar. 7, 1995**

[54] **FOLDING BALCONY TABLE**

3,696,762 10/1972 Holdham 108/134
4,809,941 3/1989 Sheridan 248/249

[75] Inventor: **Richard F. Vincelli**, Saint Lazare,
Canada

FOREIGN PATENT DOCUMENTS

[73] Assignee: **Vincos Balcony Table Inc./Table de
Balcon Vincos Inc.**, Montreal,
Canada

421462 2/1911 France 108/134
236561 6/1945 Switzerland 108/134
379527 9/1931 United Kingdom 108/134

[**] Term: **14 Years**

Primary Examiner—Janice E. Seeger

[21] Appl. No.: **7,417**

[57] **CLAIM**

[22] Filed: **Apr. 21, 1993**

The ornamental design for a folding balcony table, as shown and described.

[30] **Foreign Application Priority Data**

DESCRIPTION

Mar. 11, 1993 [CA] Canada 11-03-93-7

[52] U.S. Cl. **D6/429; D6/511;**
D6/574

FIG. 1 is a perspective view of the table, in an unfolded, operative position;

[58] **Field of Search** D6/480, 406, 509-511,
D6/429, 430, 425, 553, 555, 567, 574; 108/152,
134, 47, 48; 248/249; 211/90

FIG. 2 is a perspective view of the table, in a folded stored position;

[56] **References Cited**

U.S. PATENT DOCUMENTS

D. 300,999 5/1989 Hanna D6/574
2,616,774 11/1952 Prince 108/48
2,867,484 1/1959 Jennings 108/48 X
3,285,206 11/1966 Hoffman 108/134

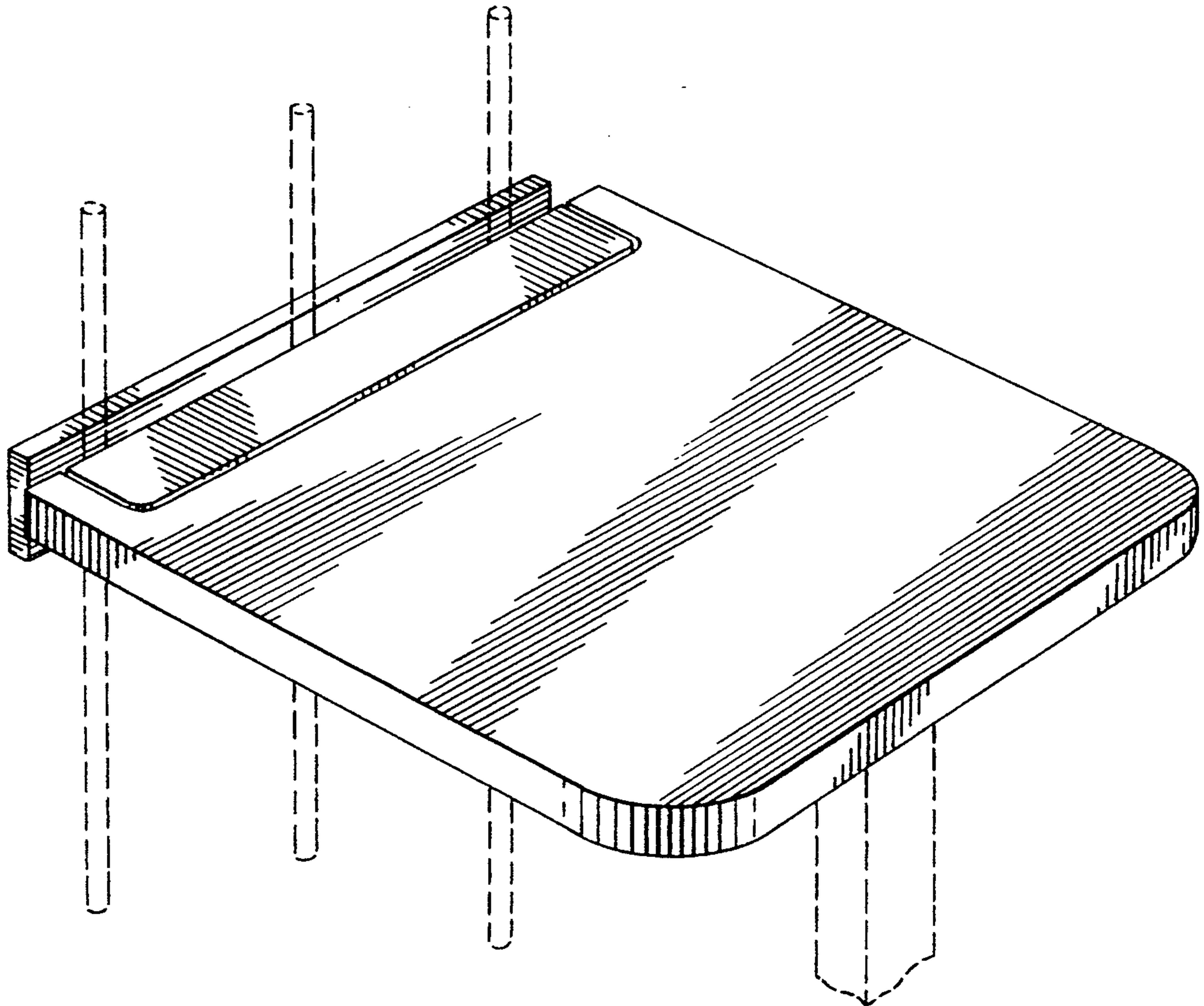
FIG. 3 is a top view in an unfolded, operative position;

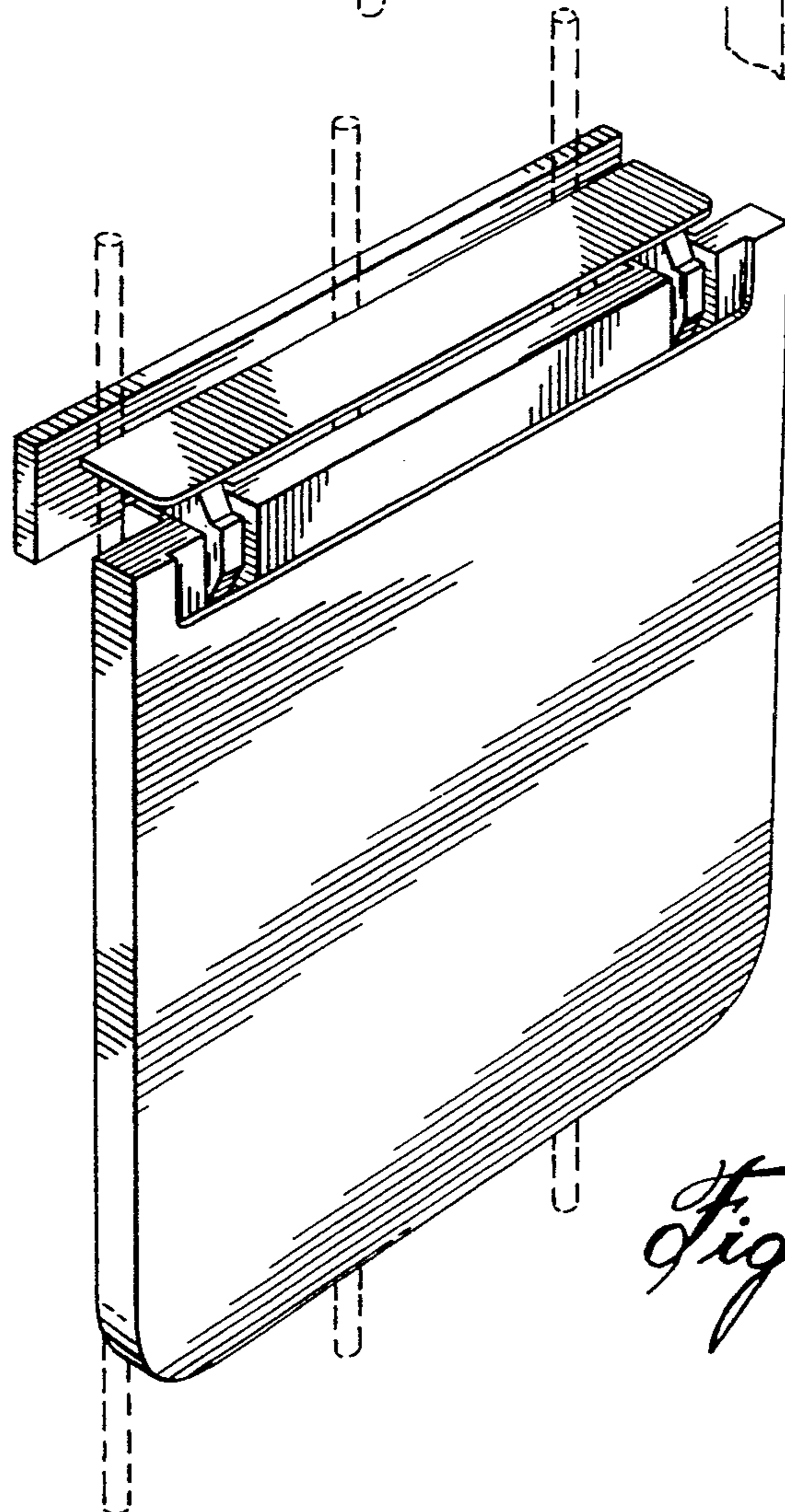
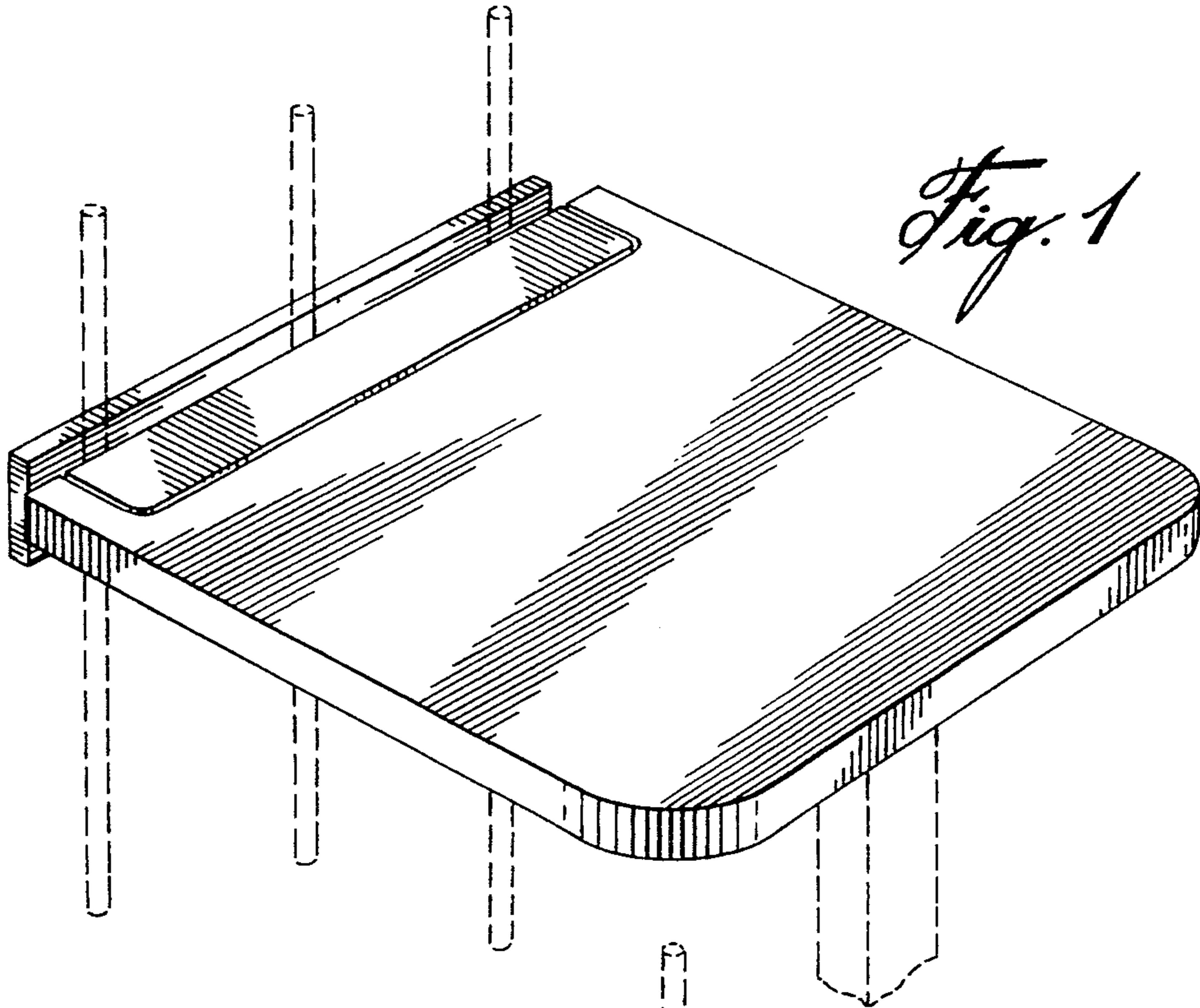
FIG. 4 is a top view in a folded, stored position;

FIG. 5 is a front view of the table shown in FIG. 3;

FIG. 6 is a side view of the table shown in FIG. 3;

FIG. 7 is a rear view of the table shown in FIG. 3; and,
FIG. 8 is a bottom view of the table shown in FIG. 3.
The broken lines are for environmental purposes only and form no part of the claimed design.





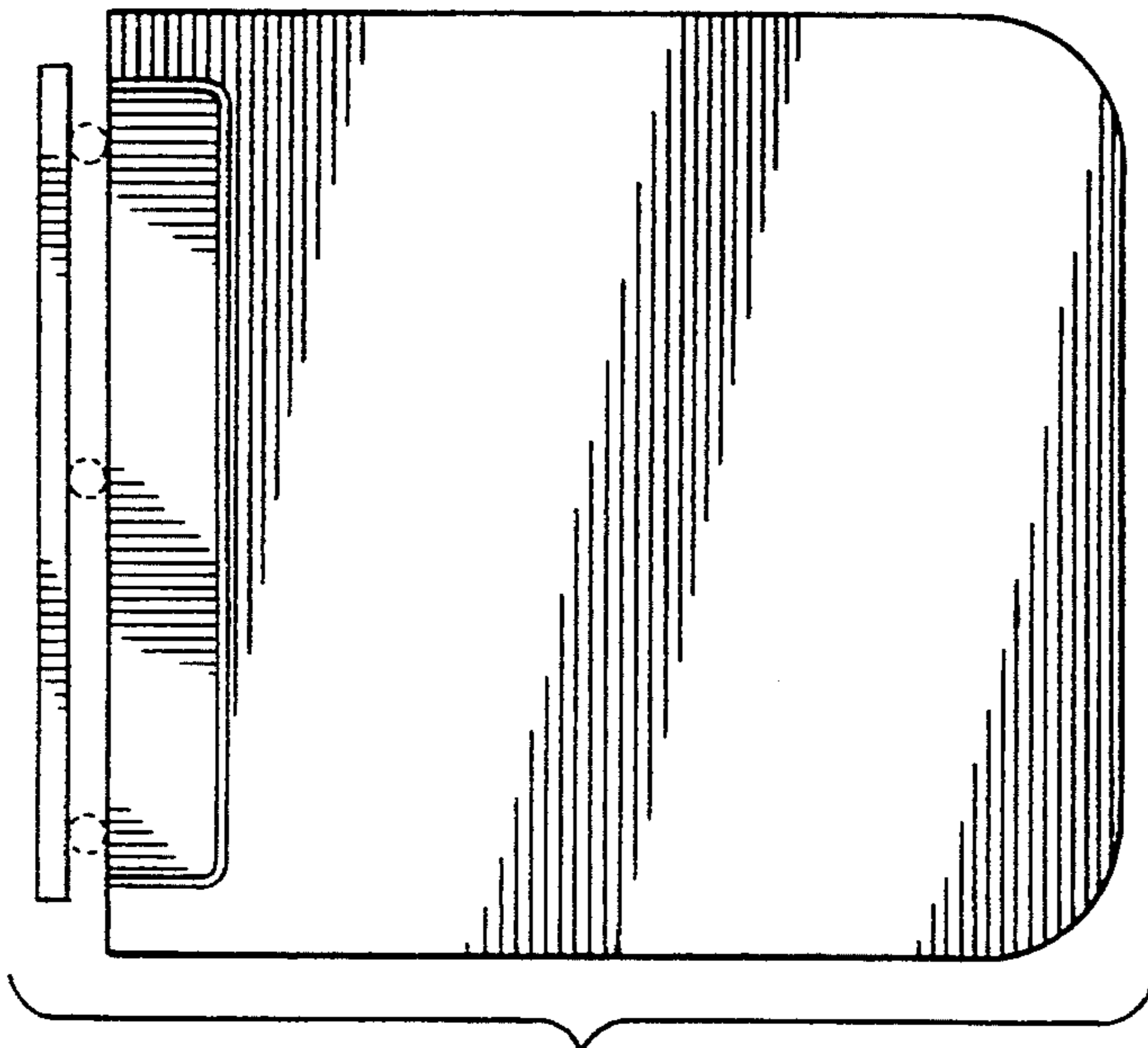


Fig. 3

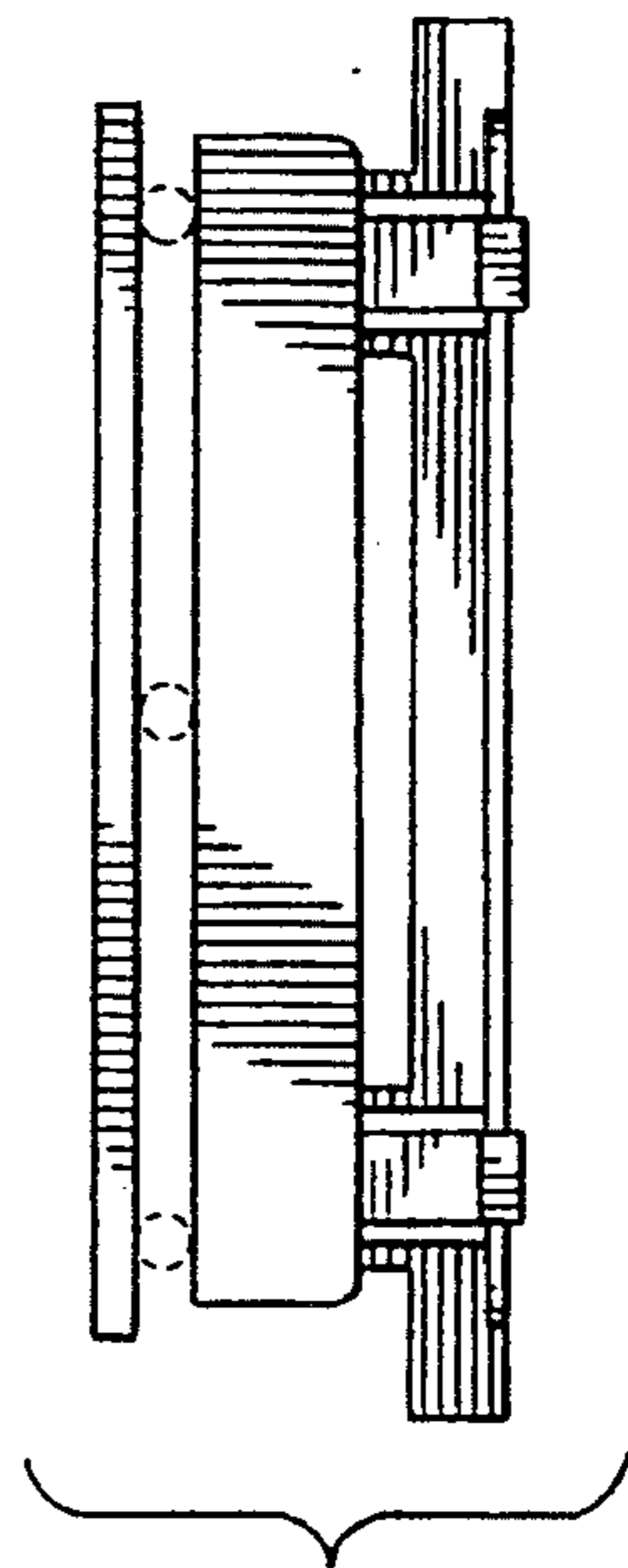


Fig. 4

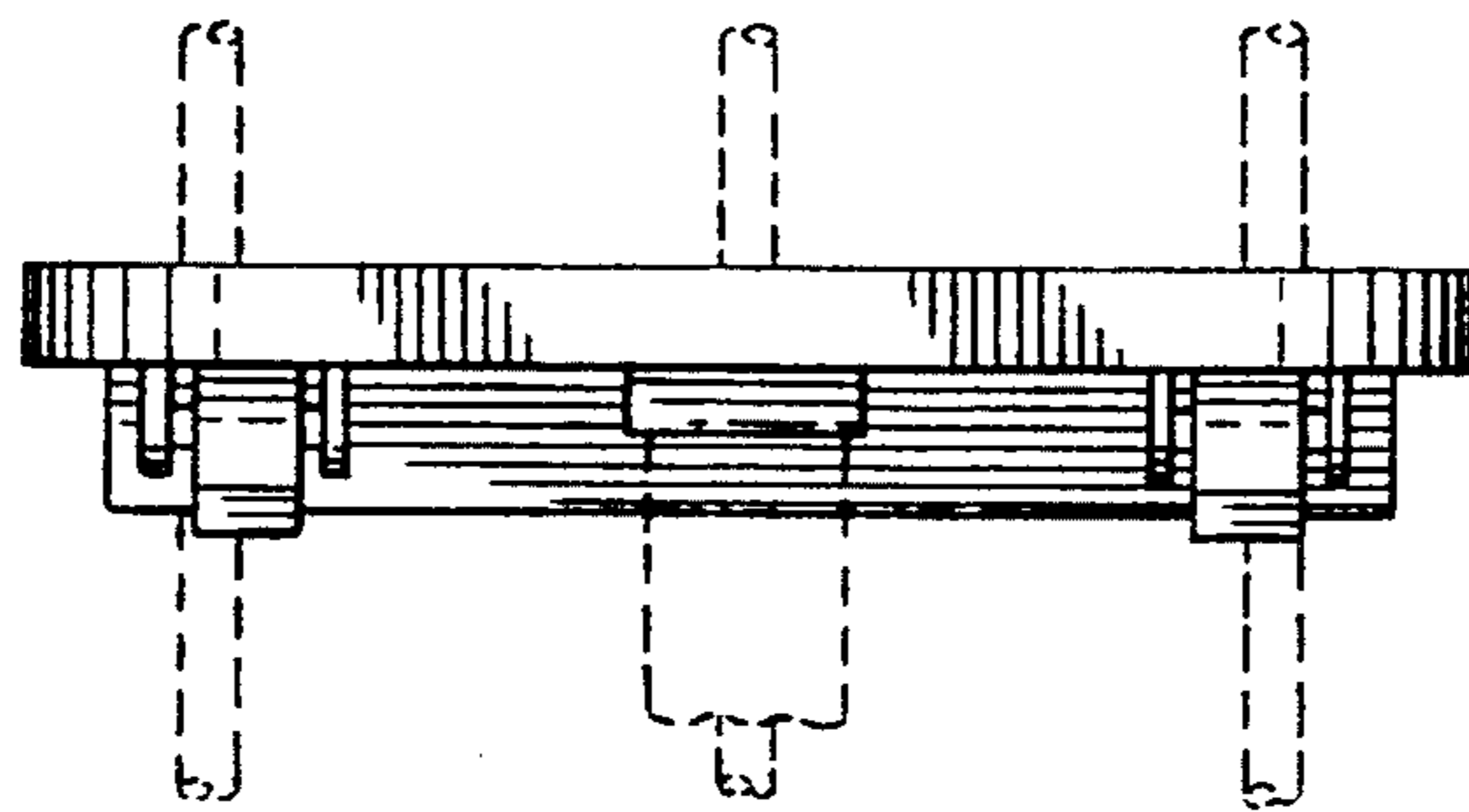


Fig. 5

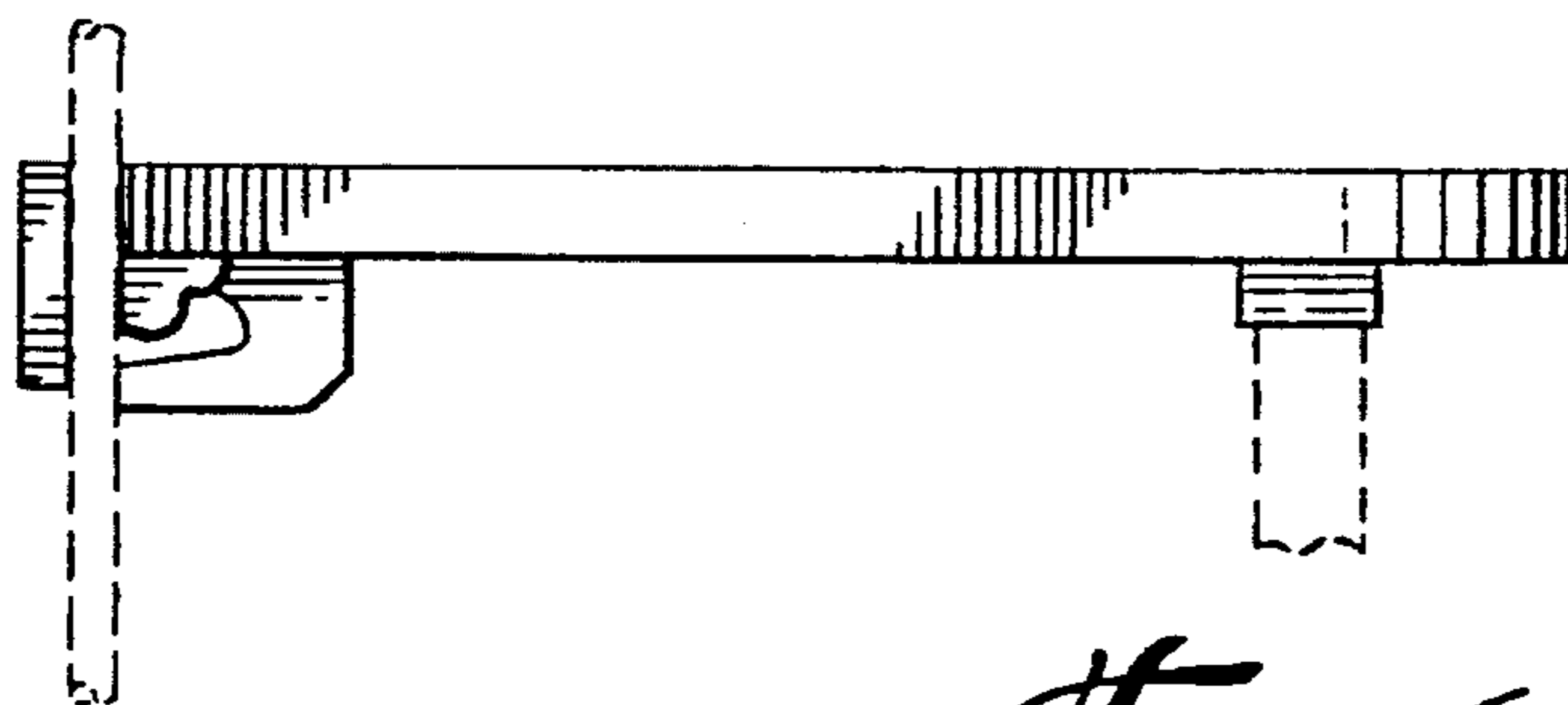


Fig. 6

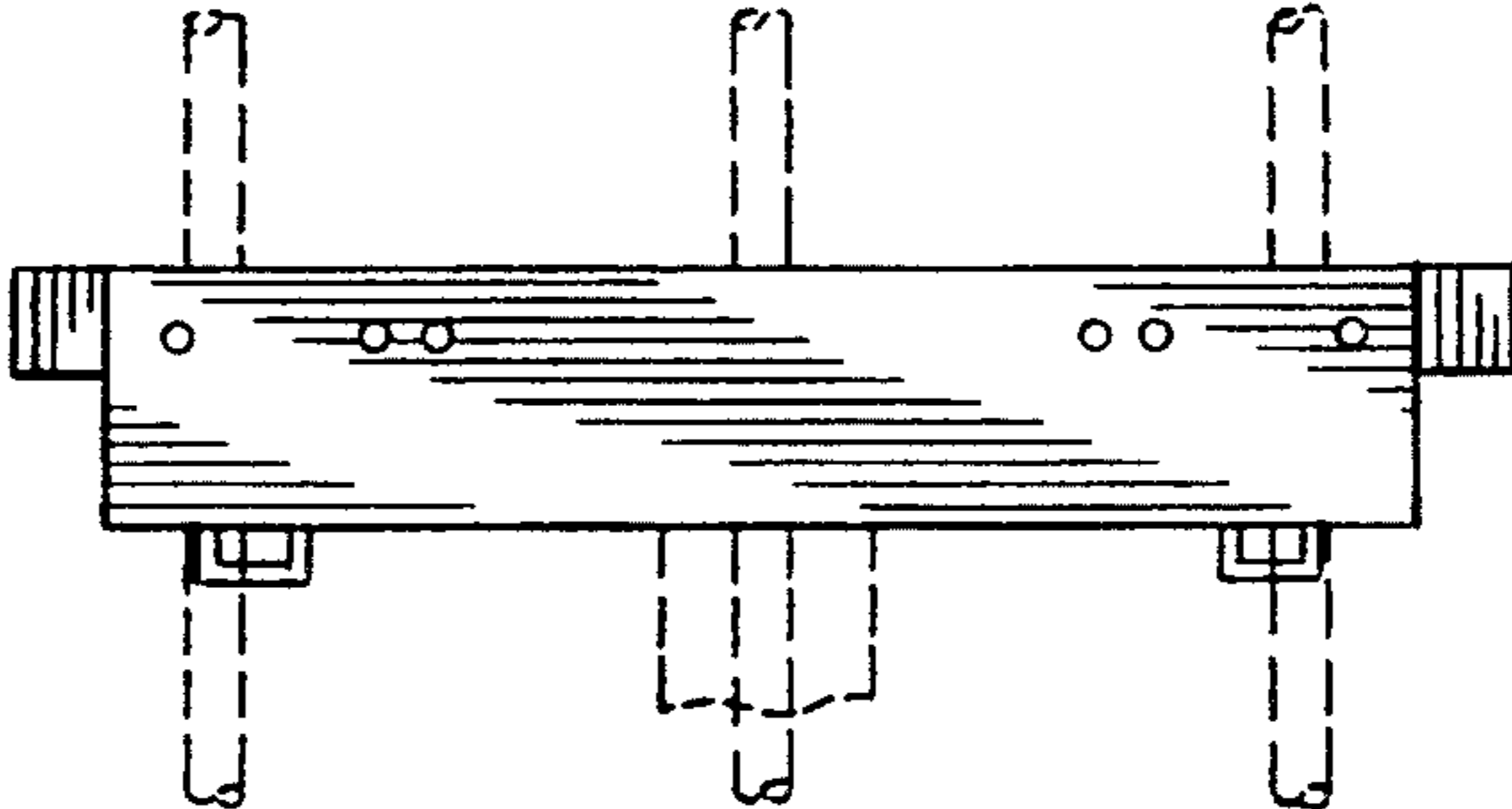


Fig. 7

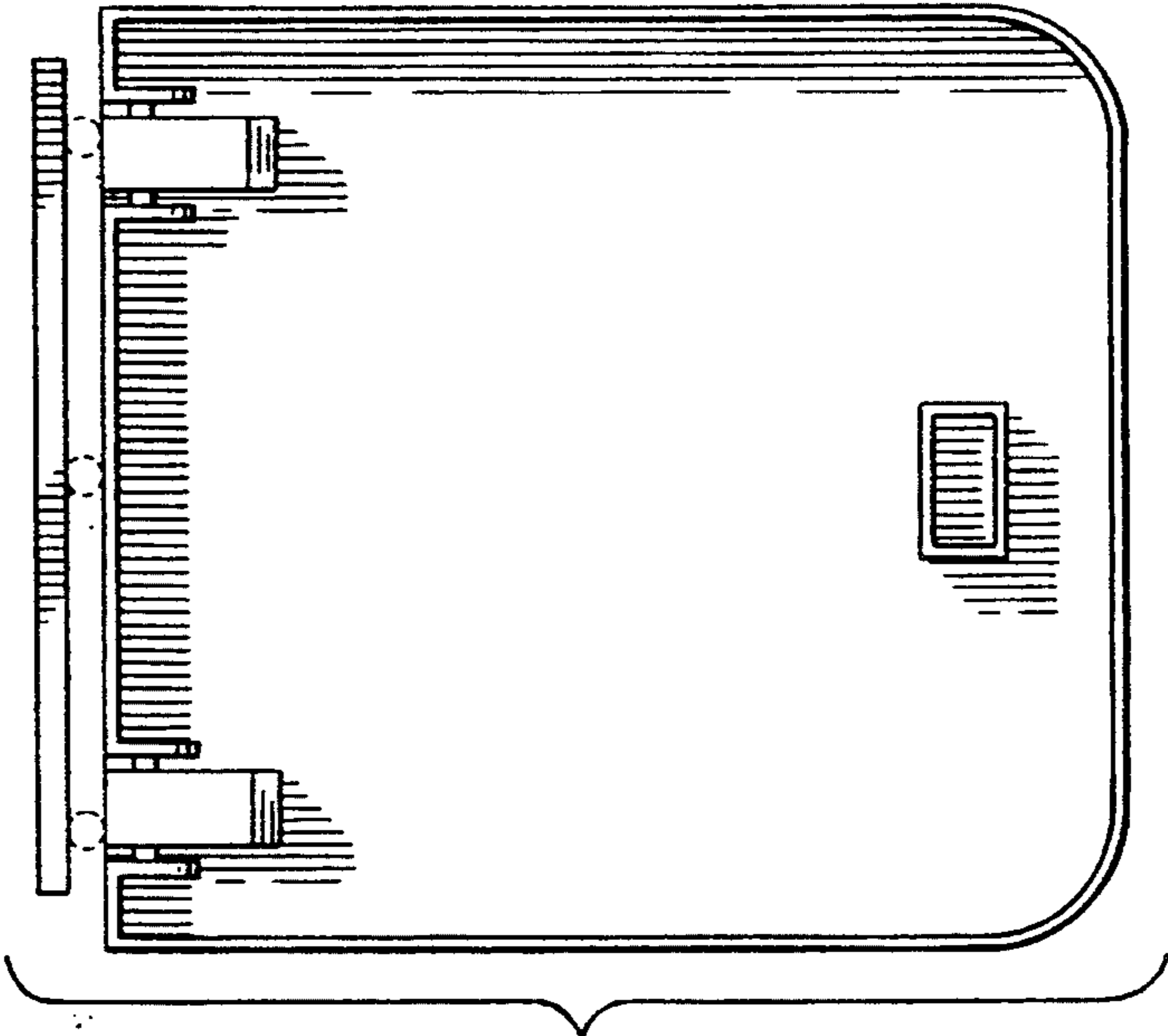


Fig. 8