



US00D355988S

United States Patent [19] Brooking

[11] Patent Number: **Des. 355,988**

[45] Date of Patent: **** Mar. 7, 1995**

[54] **STACKABLE/NESTABLE BED**

[75] Inventor: **Richard K. Brooking**, Lexington, Ky.

[73] Assignee: **Gall's, Inc.**, Lexington, Ky.

[**] Term: **14 Years**

[21] Appl. No.: **17,159**

[22] Filed: **Jan. 6, 1994**

[52] U.S. Cl. **D6/382; D6/349**

[58] Field of Search **D6/382, 388-395, D6/505-508, 349, 485; 5/8, 110, 652, 655**

5,303,438 4/1994 Walker 5/8 X

FOREIGN PATENT DOCUMENTS

1342629 4/1971 United Kingdom .

OTHER PUBLICATIONS

Schonor Wohnner Oct. 1987, p. 242. Bed at top right.

Primary Examiner—Janice E. Seeger

Attorney, Agent, or Firm—King & Schickli

[57] CLAIM

The ornamental design for a stackable/nestable bed, as shown and described.

[56] References Cited

U.S. PATENT DOCUMENTS

D. 268,796	5/1983	Kola	D6/349
D. 306,243	2/1990	Levi	D6/485
3,247,529	4/1966	Benton .	
3,414,914	12/1968	Gramins .	
3,835,482	9/1974	Tersch .	
4,234,977	11/1980	Snow .	
4,234,978	11/1980	Snow	5/8
4,584,729	4/1986	Roberts et al. .	
4,879,774	11/1989	Sanders .	

DESCRIPTION

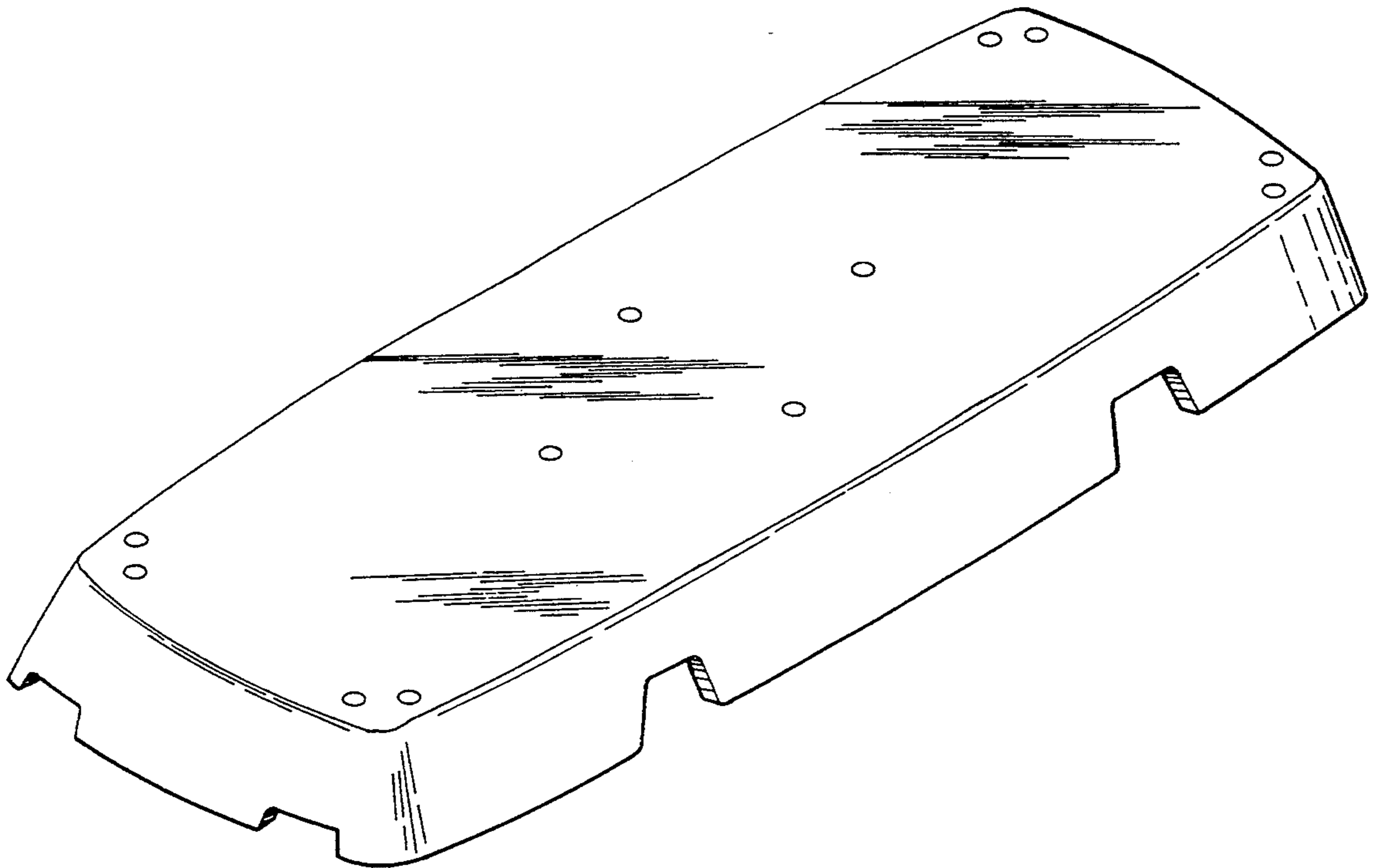
FIG. 1 is a perspective view of the stackable/nestable bed showing my new design;

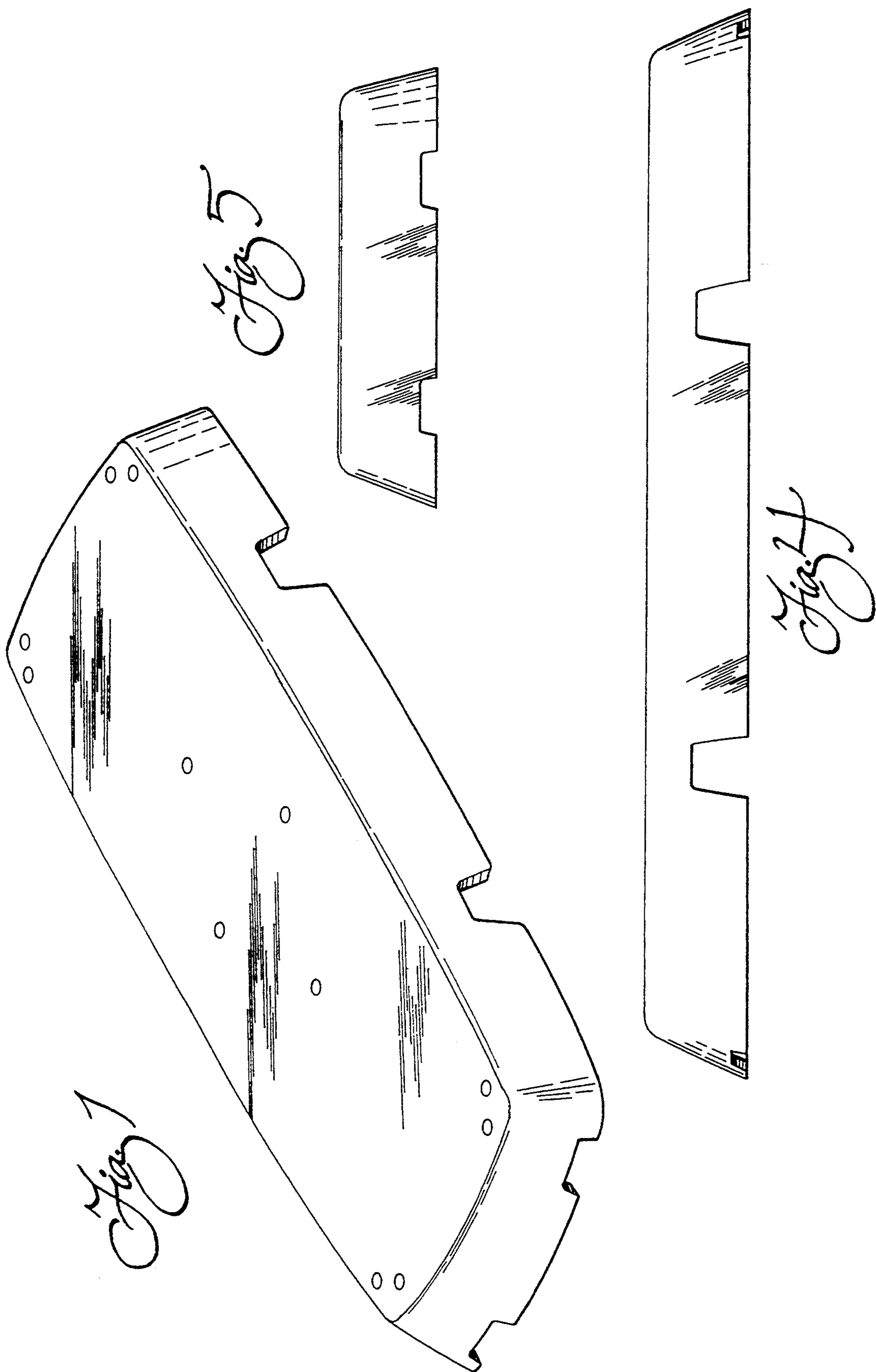
FIG. 2 is a top plan view thereof;

FIG. 3 is a bottom plan view thereof;

FIG. 4 is a left side elevational view, the right side elevational view being a mirror image thereof; and,

FIG. 5 is a front end elevational view, the rear end elevational view being a mirror image thereof.





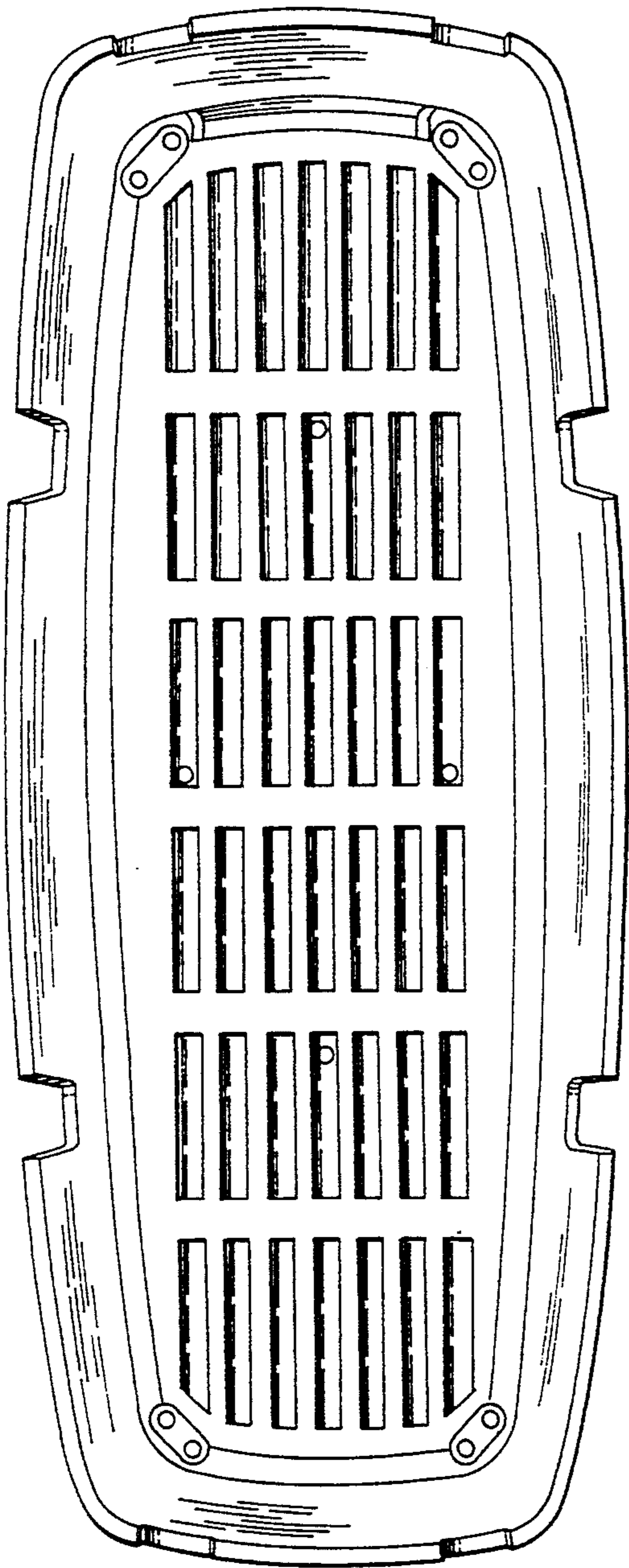


Fig. 3

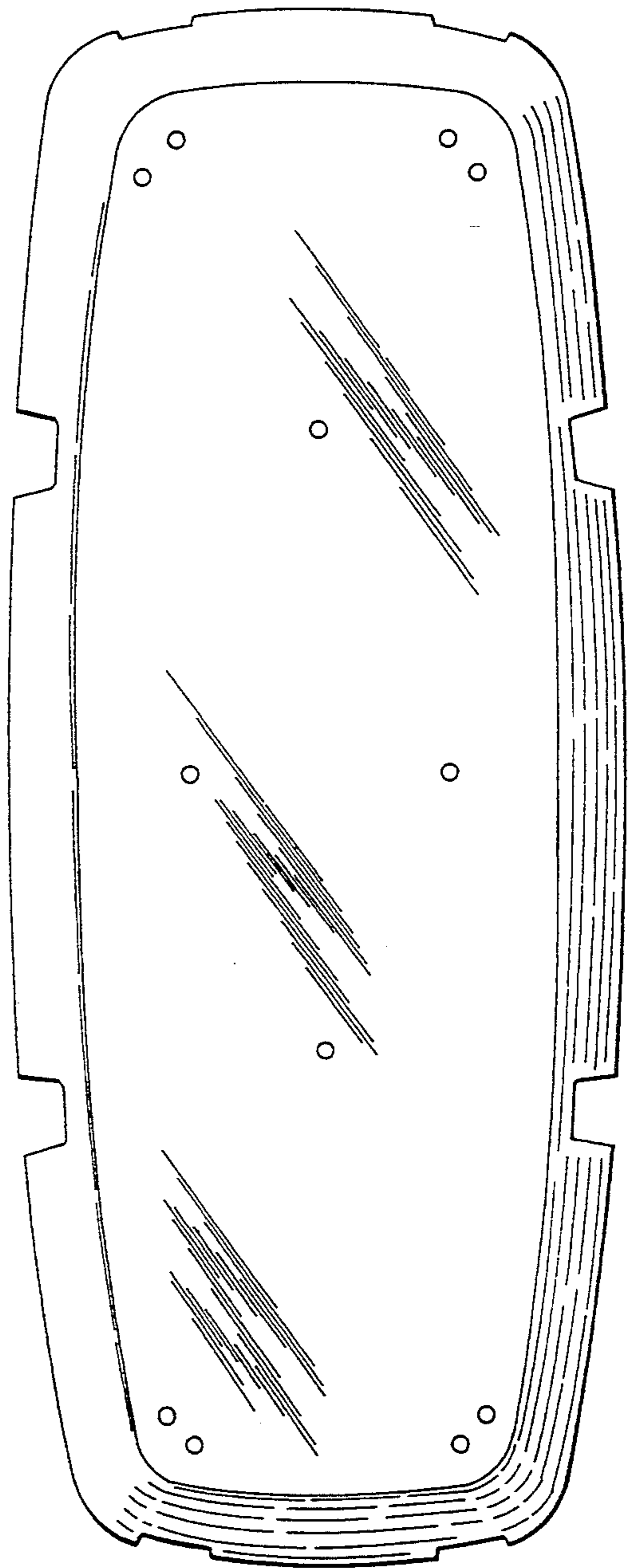


Fig. 2