



US00D355985S

# United States Patent [19]

[11] Patent Number: **Des. 355,985**

Karten et al.

[45] Date of Patent: **\*\* Mar. 7, 1995**

[54] **INTEGRALLY MOLDED STACKABLE SHOWER CHAIR**

[75] Inventors: **Stuart Karten, Marina del Rey; Eric P. Rose, Van Nuys, both of Calif.**

[73] Assignee: **Guardian Products, Inc., Simi Valley, Calif.**

[\*\*] Term: **14 Years**

[21] Appl. No.: **15,228**

[22] Filed: **Nov. 10, 1993**

[52] U.S. Cl. .... **D6/374; D6/375**

[58] Field of Search ..... **D6/334, 374, 375, 380, D6/500, 501, 502; D23/303, 304; 297/239, DIG. 2, 445, 446**

D. 265,614	8/1982	Massonnet .	
D. 308,604	6/1990	Verkerke .....	D6/334
D. 334,296	3/1993	Hutton .....	D6/374
D. 336,384	6/1993	Grosfillex .	
D. 347,334	5/1994	Fewchuk .....	D6/375
2,642,118	6/1953	Lamb .	
2,936,826	5/1960	Reineman .	
3,874,726	4/1975	Sebel et al. .	
5,088,792	2/1992	Guichon .	
5,154,474	10/1992	Desanta .....	297/239

*Primary Examiner*—Nelson C. Holtje

*Assistant Examiner*—Gary D. Watson

*Attorney, Agent, or Firm*—William Brinks Hofer Gilson & Lione

[57] **CLAIM**

The ornamental design for an integrally molded stackable shower chair, as shown and described.

[56] **References Cited**

**U.S. PATENT DOCUMENTS**

D. 181,032	9/1957	Winer .....	D6/380
D. 181,241	10/1957	Swanson .....	D6/374
D. 193,708	10/1962	Keown .....	D6/375
D. 195,256	5/1963	Anderson et al. ....	D6/374
D. 205,658	9/1966	Muller .....	D6/374
D. 219,016	10/1970	Muller et al. ....	D6/375
D. 238,837	2/1976	Mulhauser .	
D. 247,593	3/1978	Steele .	
D. 263,775	4/1982	Hopper .	

**DESCRIPTION**

FIG. 1 is a front perspective view of an integrally molded stackable shower chair; FIG. 2 is a front elevational view; FIG. 3 is a rear elevational view; FIG. 4 is a right side elevational view, the opposite side being a mirror image; FIG. 5 is a top plan view; and, FIG. 6 is a bottom plan view.

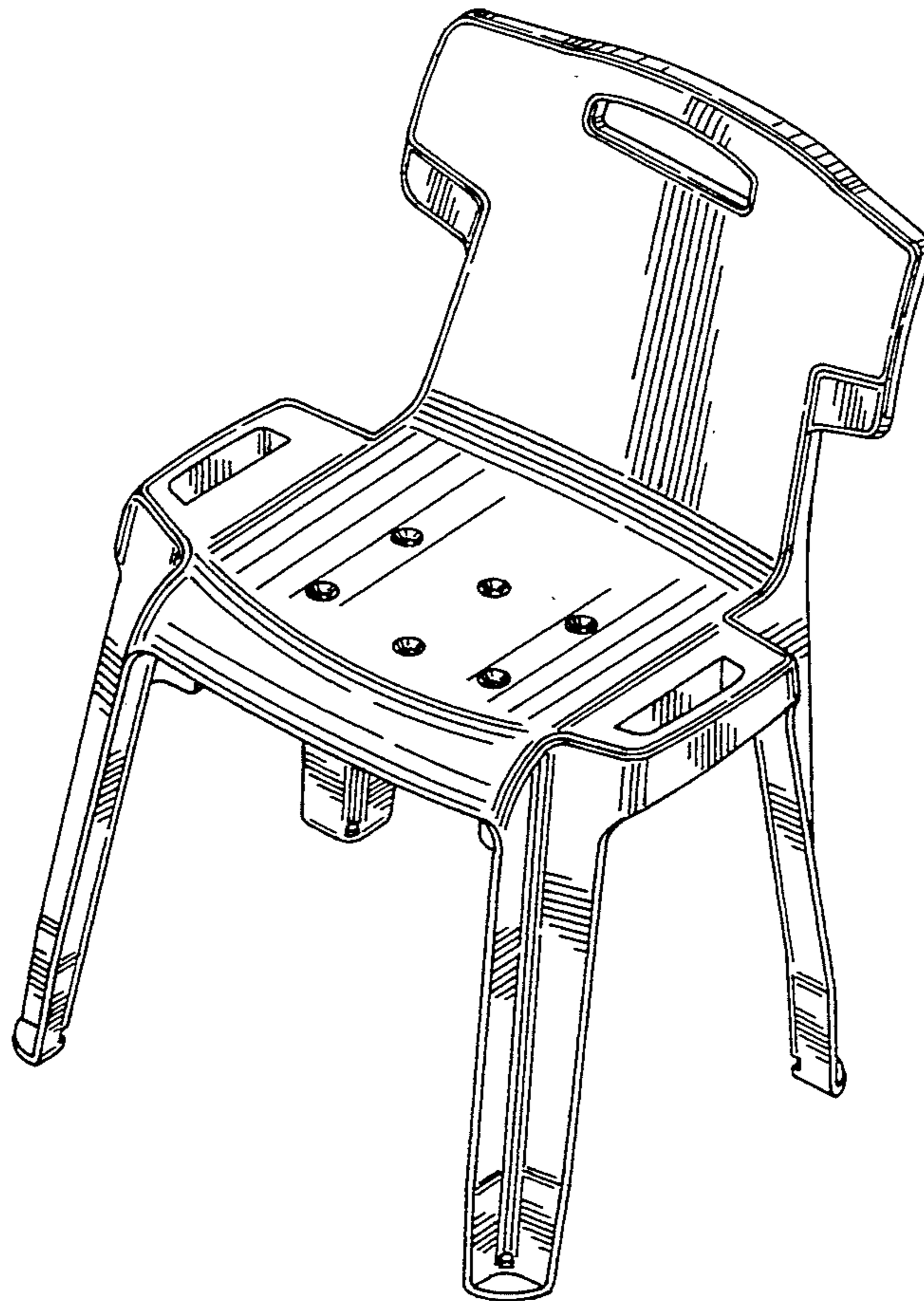


FIG.2

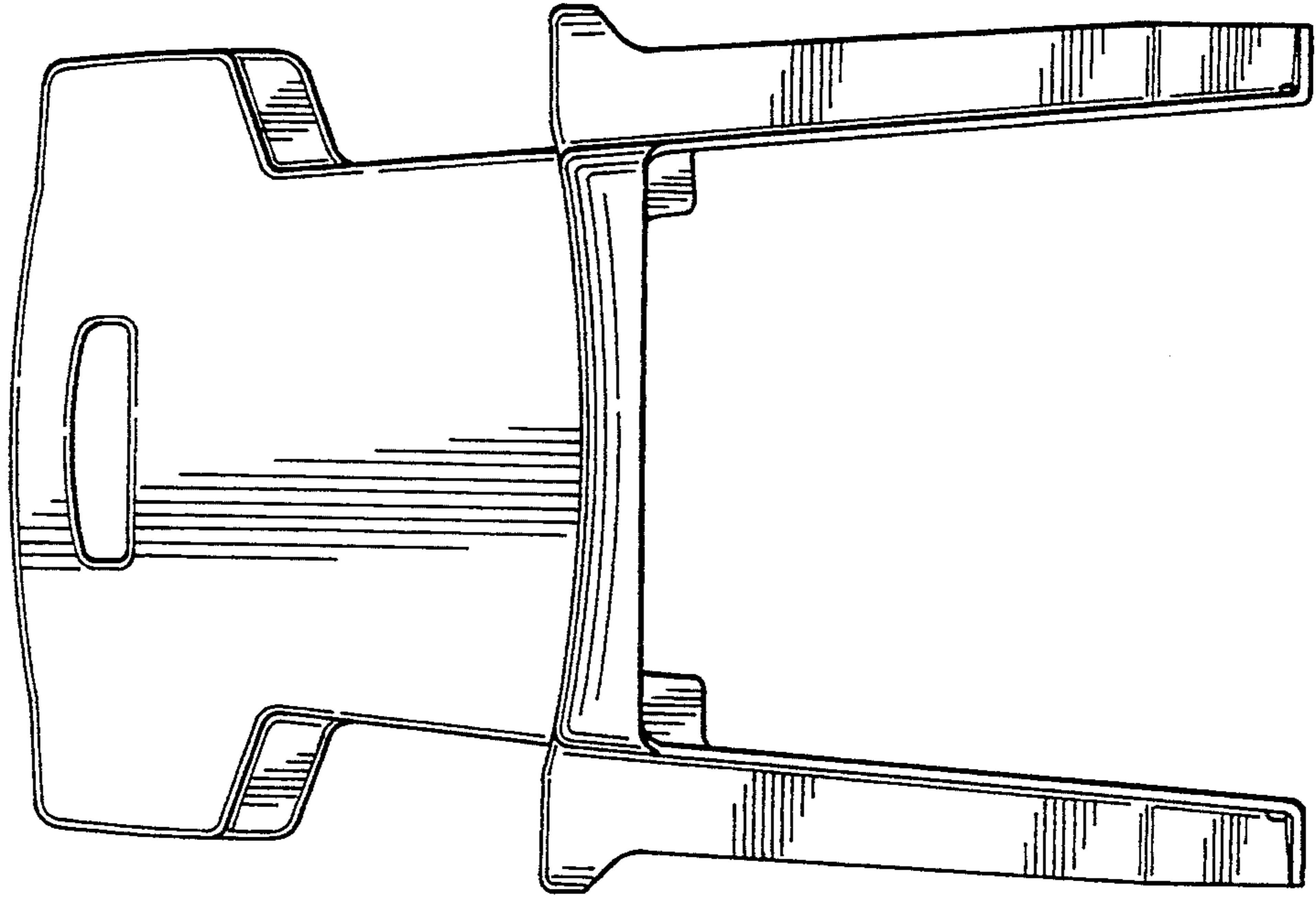


FIG.1

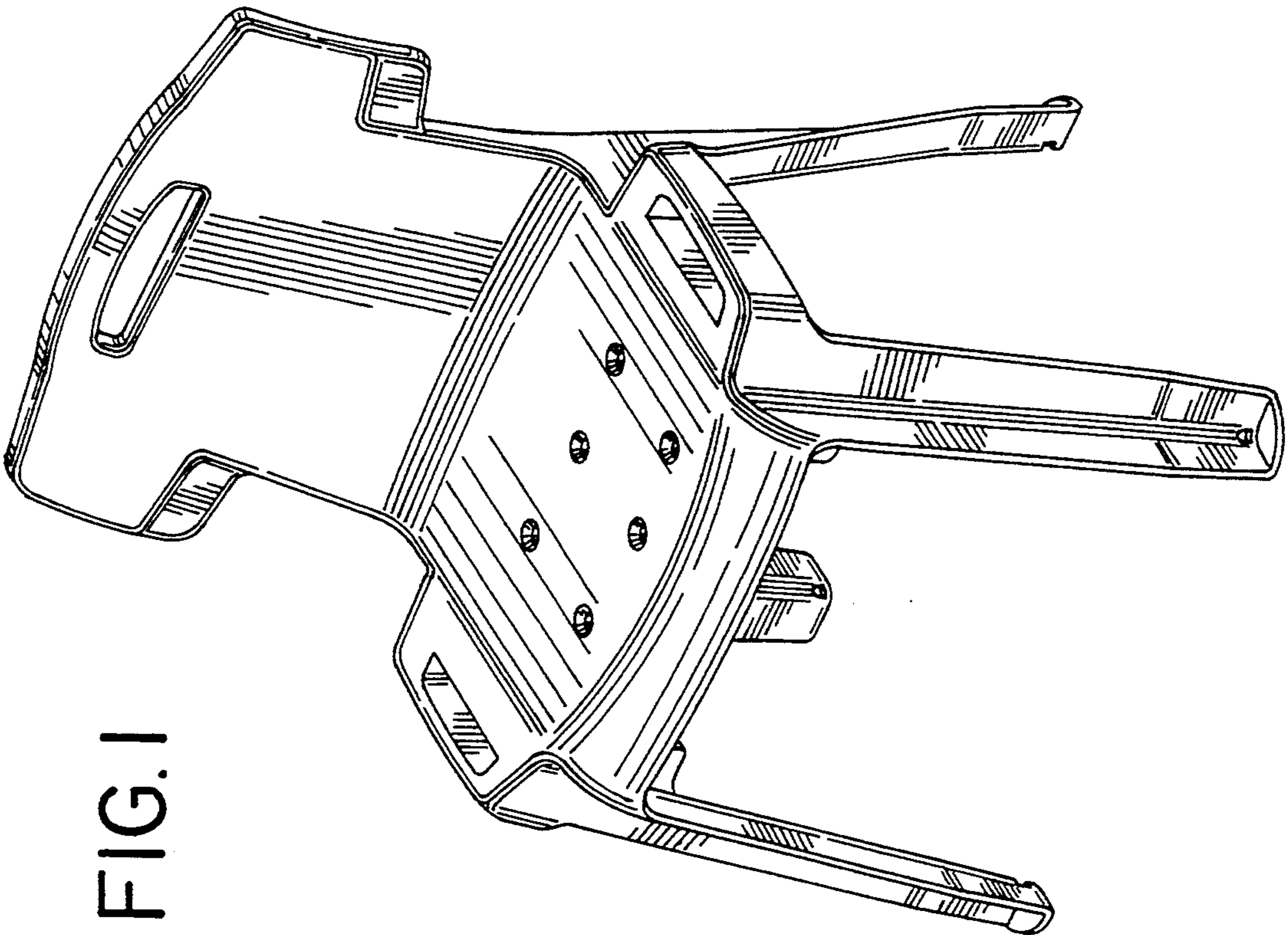


FIG.4

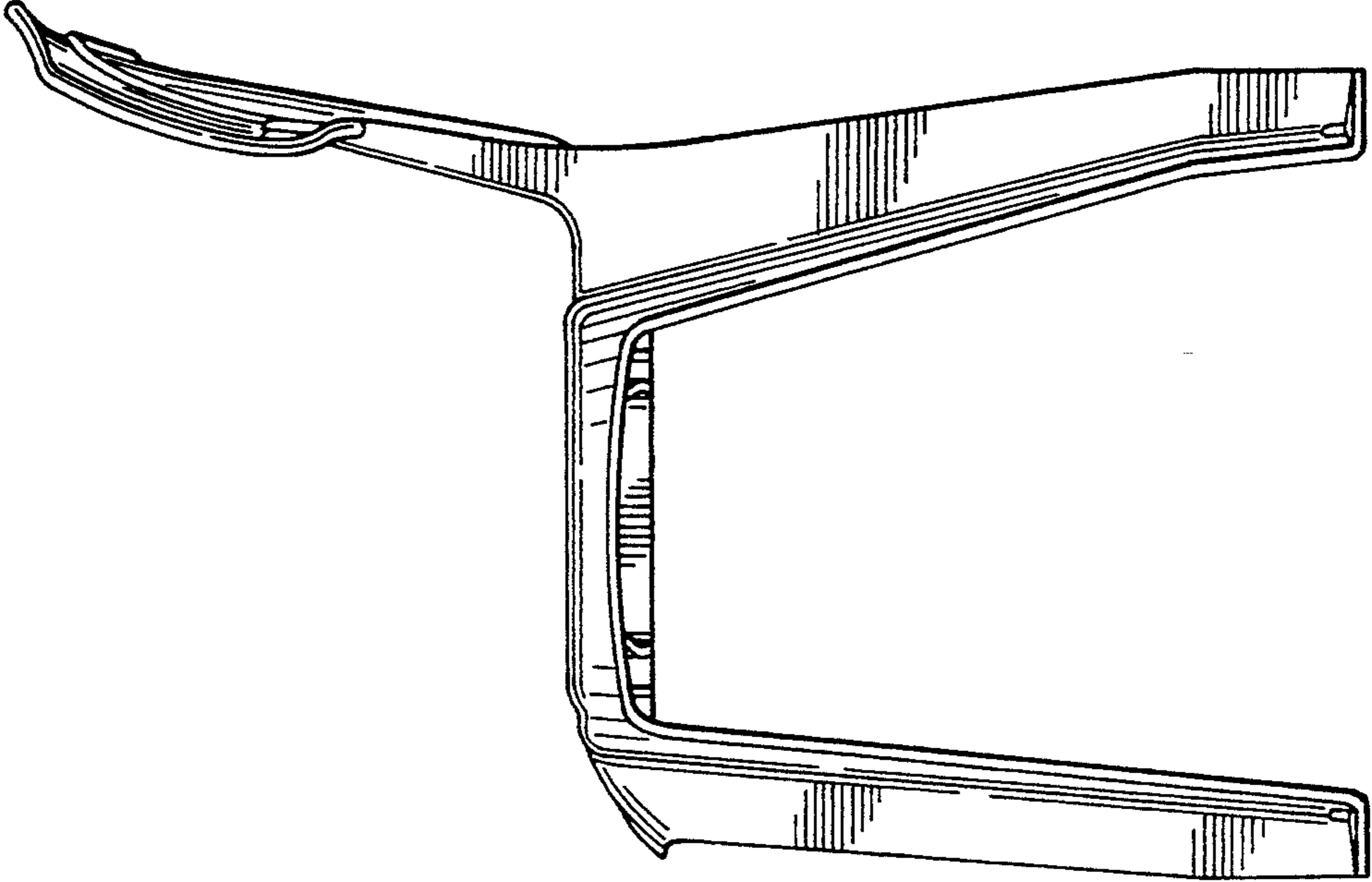


FIG.3

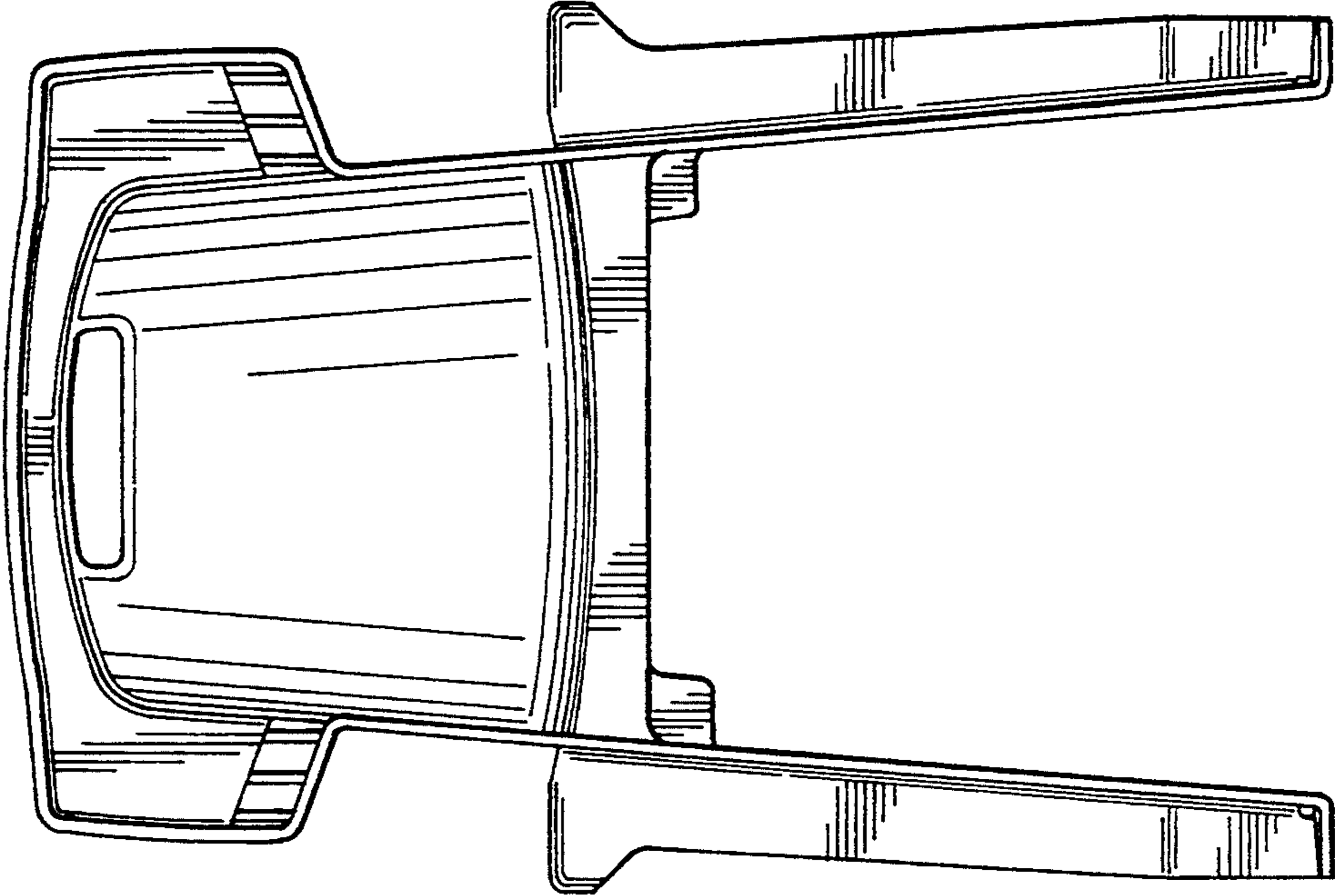


FIG. 5

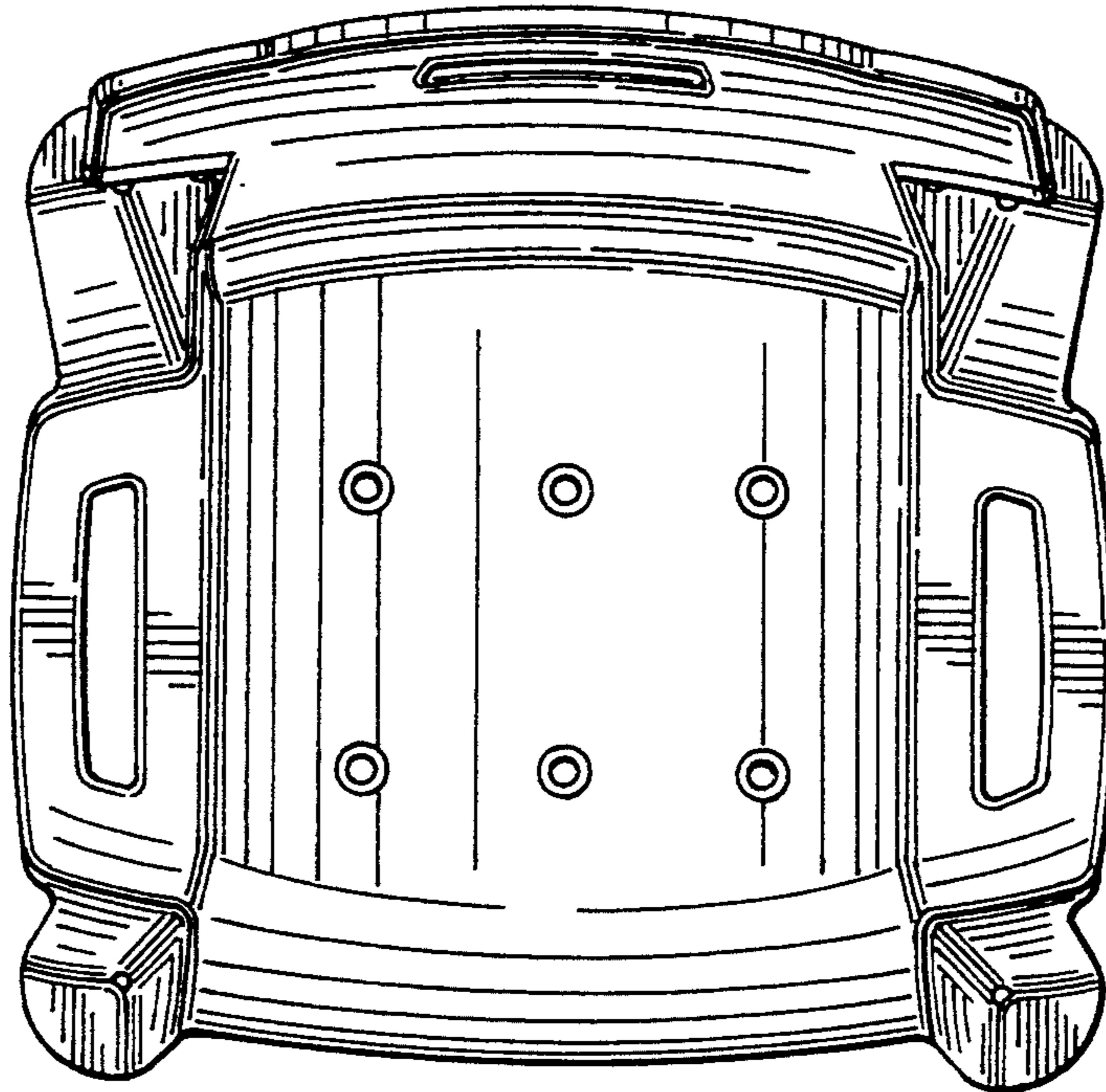


FIG. 6

