



US00D355982S

# United States Patent [19]

[11] Patent Number: **Des. 355,982**

Matthews, Sr.

[45] Date of Patent: **\*\* Mar. 7, 1995**

## [54] PATIO SWING

[76] Inventor: **Carl V. Matthews, Sr.**, 17282 Chicago St., Yorba Linda, Calif. 92682

[\*\*] Term: **14 Years**

[21] Appl. No.: **2,361**

[22] Filed: **Dec. 9, 1992**

[52] U.S. Cl. .... **D6/347; D6/344**

[58] Field of Search ..... **D6/334, 344, 347, 369, D6/370; 297/280, 281, 452.63**

## [56] References Cited

### U.S. PATENT DOCUMENTS

D. 103,956	4/1937	Rink .....	D6/347
D. 154,356	7/1949	Allmand .....	D6/347
D. 198,922	8/1964	Ryan .....	D6/347
4,341,420	7/1982	Knowles et al. ....	297/280

## OTHER PUBLICATIONS

*Goshen Traditions*, p. 8, "Lounge Settee", rt. of page.

*Primary Examiner*—Wallace R. Burke  
*Assistant Examiner*—Monica A. Hannon  
*Attorney, Agent, or Firm*—Hawes & Fischer

## [57] CLAIM

The ornamental design for a patio swing, as shown and described.

## DESCRIPTION

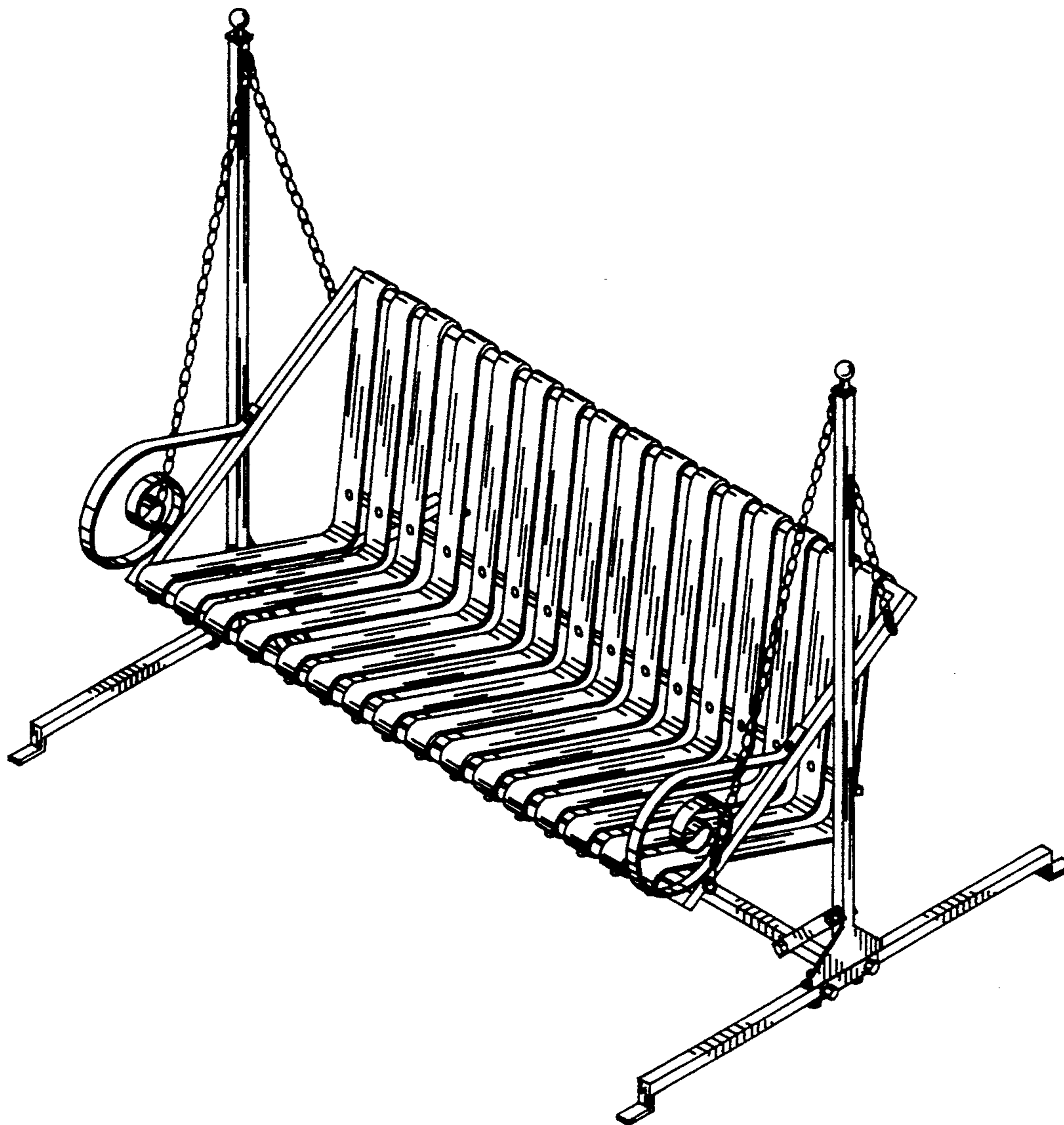
FIG. 1 is a front perspective view of a patio swing showing my new design;

FIG. 2 is a front elevation thereof;

FIG. 3 is a side elevational view thereof, this side and the opposite side being of identical design;

FIG. 4 is a rear elevational view thereof; and,

FIG. 5 is a top plan view thereof.



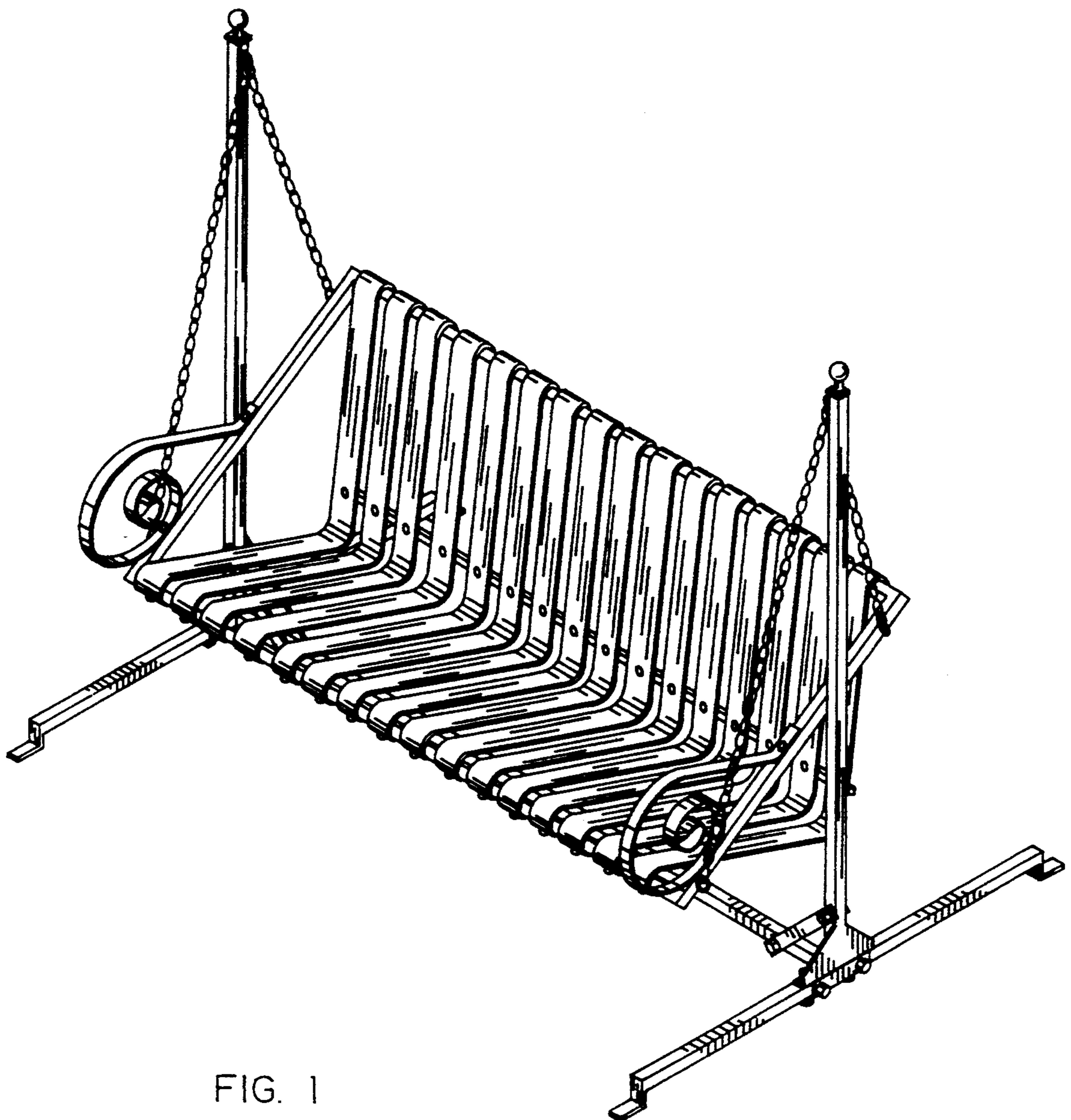


FIG. 1

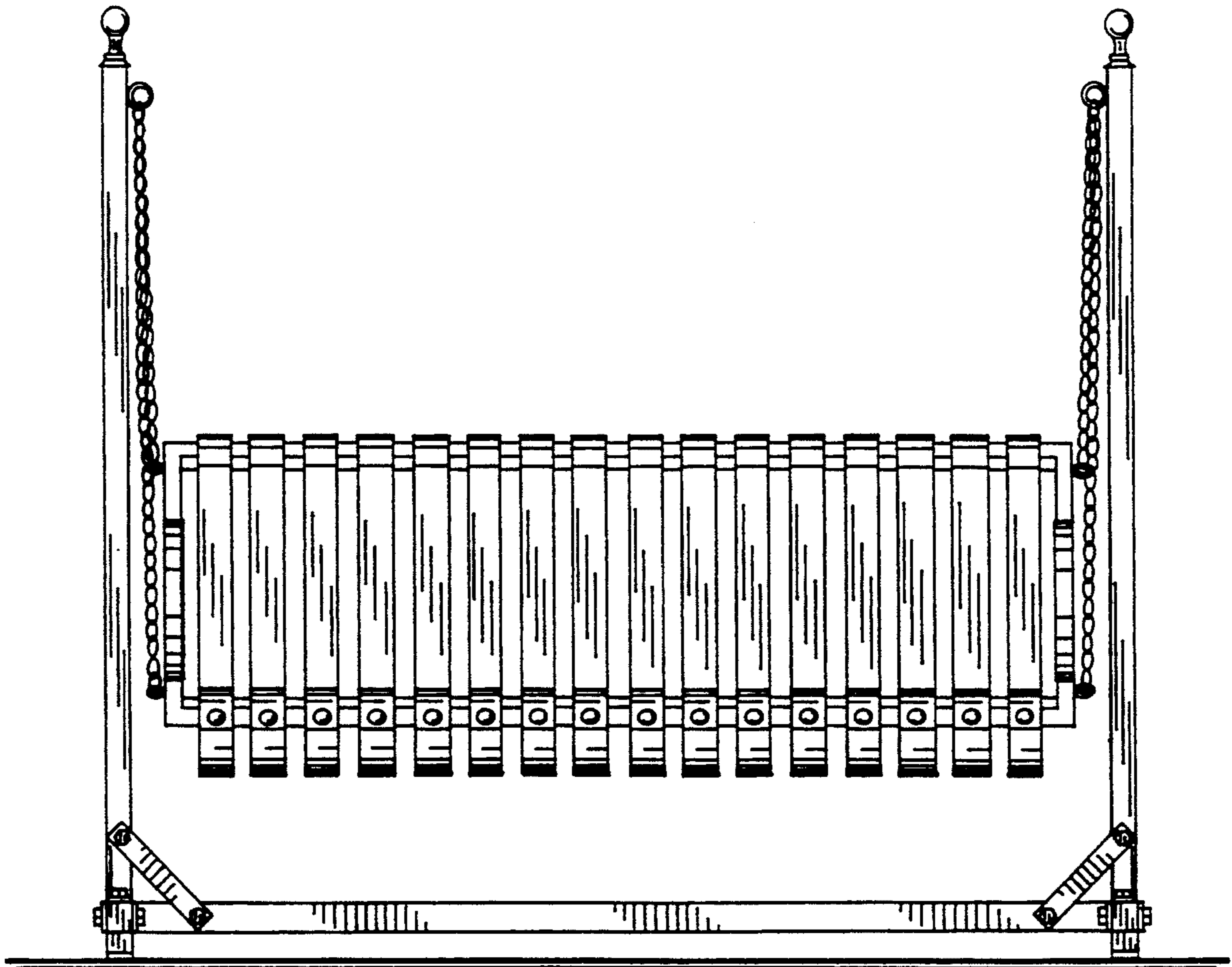


FIG. 2

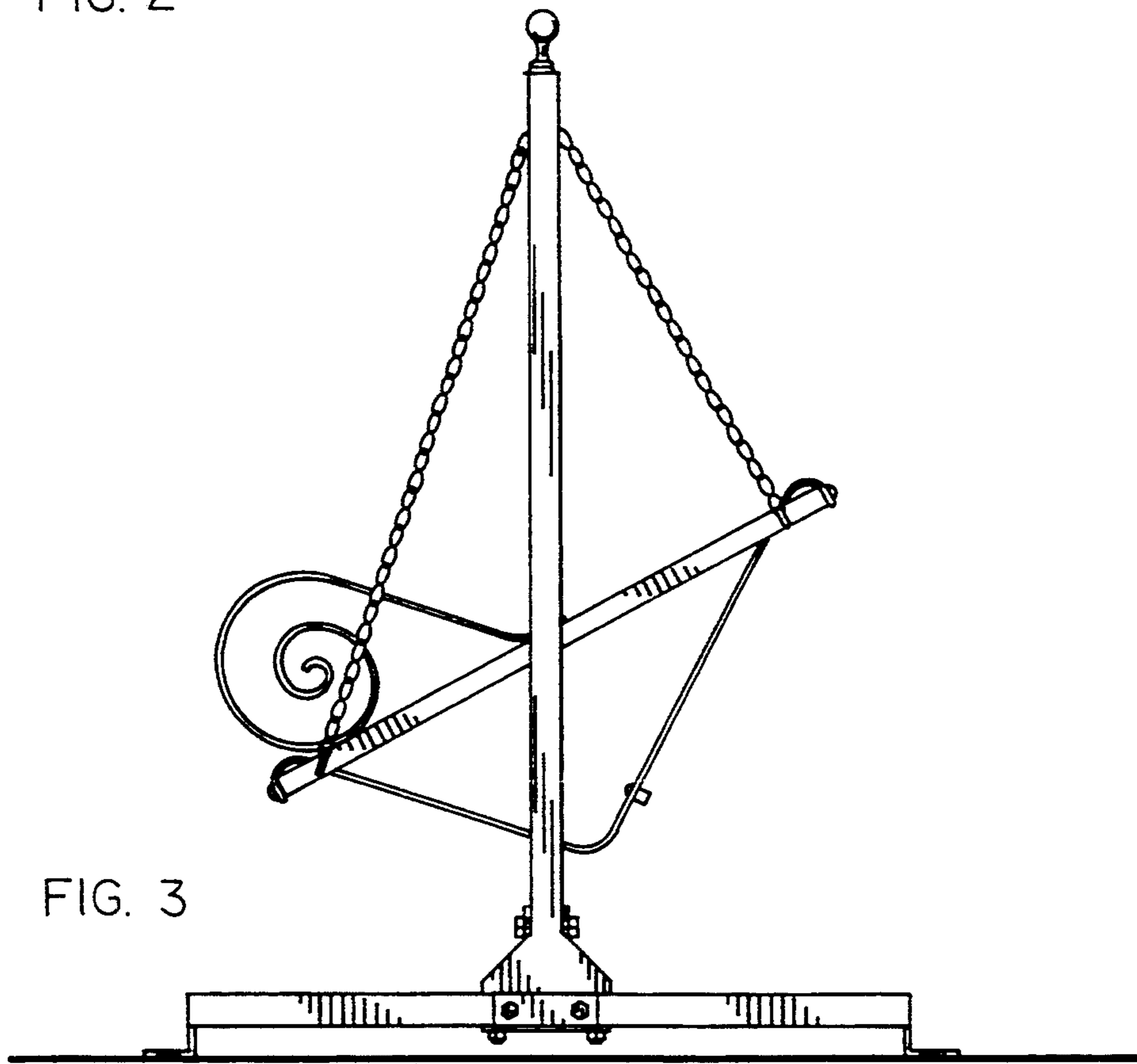


FIG. 3

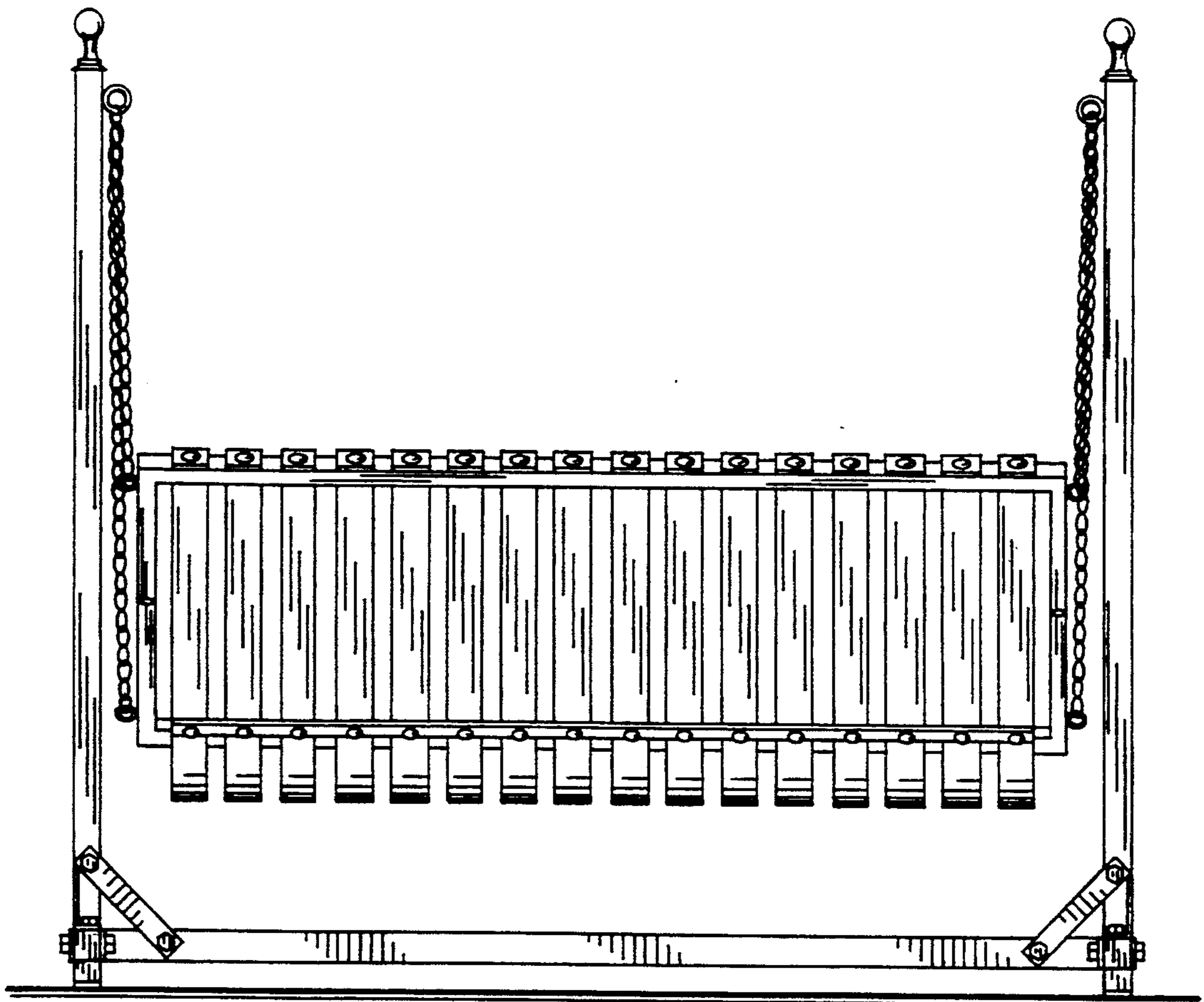


FIG. 4

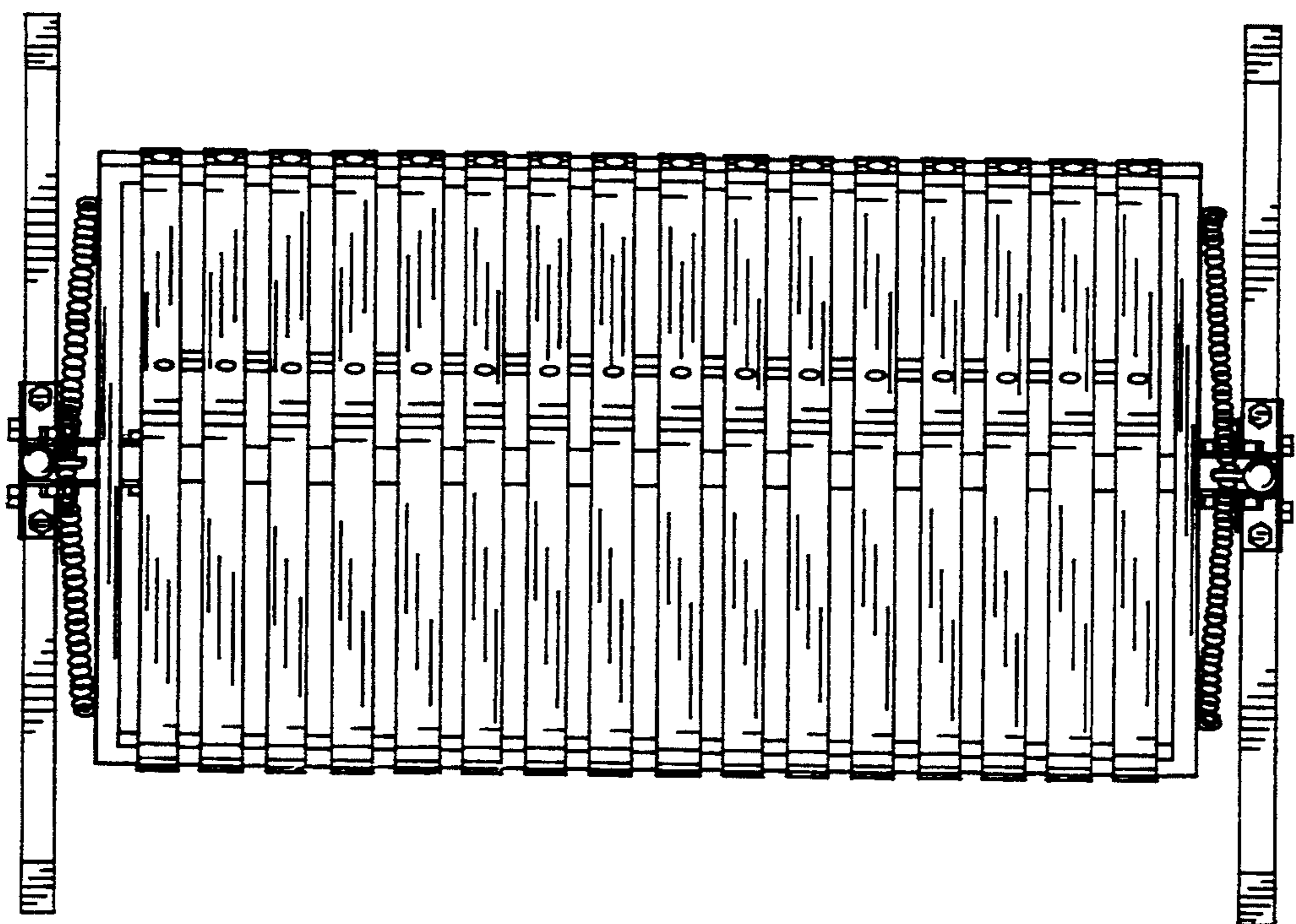


FIG. 5