



US00D355980S

United States Patent [19]

[11] Patent Number: **Des. 355,980**

Dallaire

[45] Date of Patent: **** Mar. 7, 1995**

[54] HANGER

3,443,729 5/1969 Hannum D6/318
3,874,572 4/1975 McClenning D6/318

[76] Inventor: **Michel Dallaire**, 3575, boulevard Saint-Laurent, Bureau 902, Montreal, Quebec, Canada, H2X 2T7

Primary Examiner—B. J. Bullock
Attorney, Agent, or Firm—Robic

[**] Term: **14 Years**

[57] **CLAIM**

The ornamental design for the hanger, as shown and described.

[21] Appl. No.: **5,902**

DESCRIPTION

[22] Filed: **Mar. 15, 1993**

FIG. 1 is a perspective view of a hanger showing my new design;

[30] **Foreign Application Priority Data**

FIG. 2 is an enlarged front view thereof, the rear being identical;

Sep. 15, 1992 [CA] Canada 15-09-92-9

[52] U.S. Cl. **D6/318**

FIG. 3 is an enlarged top view thereof;

[58] Field of Search D6/315, 318, 317; 211/113, 118, 119; 223/85, 87, 88, 90-96

FIG. 4 is an enlarged side view thereof, both sides being identical;

[56] **References Cited**

FIG. 5 is a perspective view thereof, in its completely opened position;

U.S. PATENT DOCUMENTS

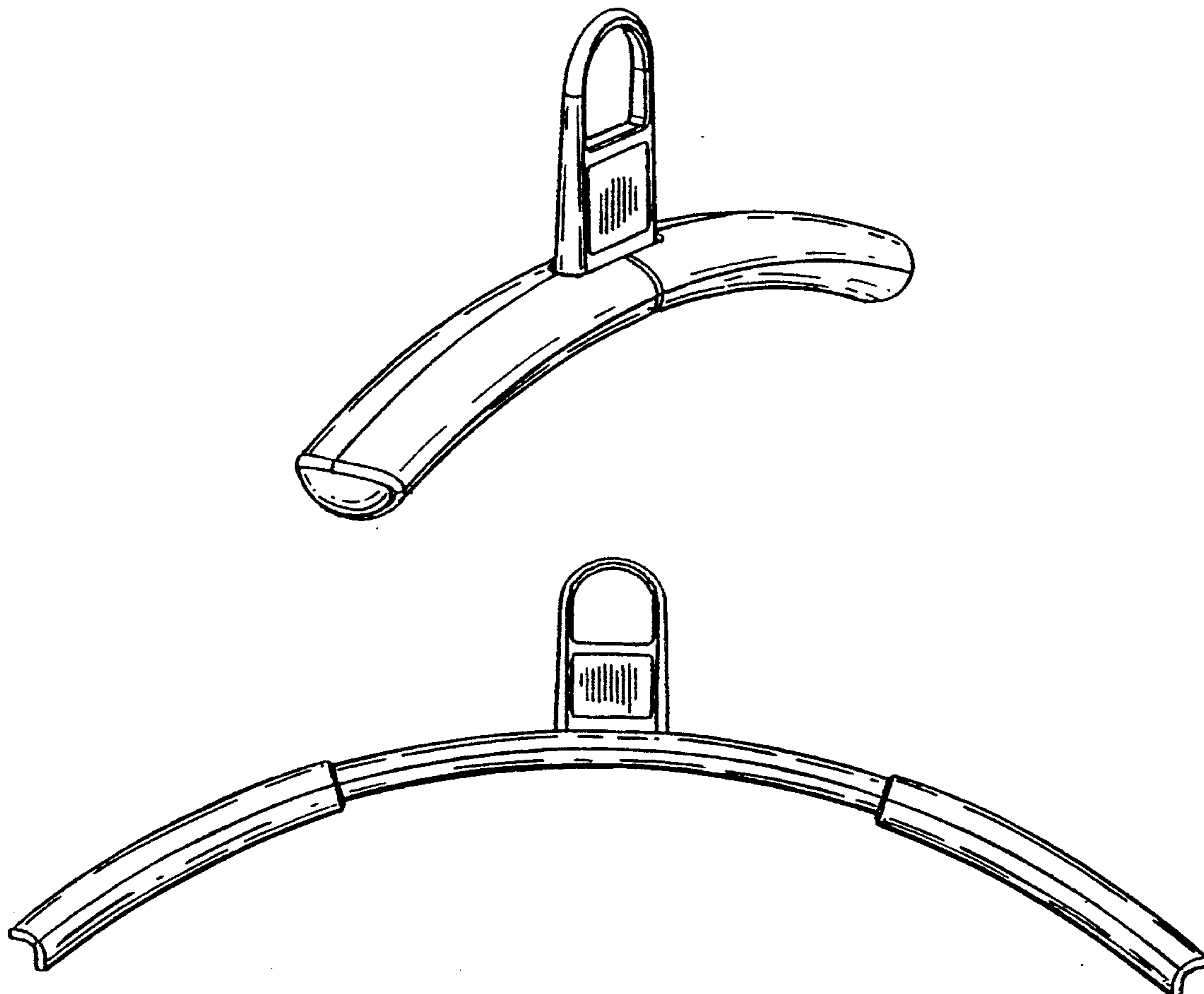
- D. 320,313 10/1991 Gatling D6/315
- D. 320,314 10/1991 Evenson D6/318
- 1,713,621 5/1929 Price D6/318
- 2,724,533 11/1955 Hansen D6/318
- 2,900,117 8/1959 Veltry D6/318

FIG. 6 is an enlarged front view of FIG. 5, the rear being identical;

FIG. 7 is an enlarged top view of FIG. 5;

FIG. 8 is an enlarged side view of FIG. 5; both sides being identical; and,

FIG. 9 is an enlarged exploded bottom view of FIG. 5.



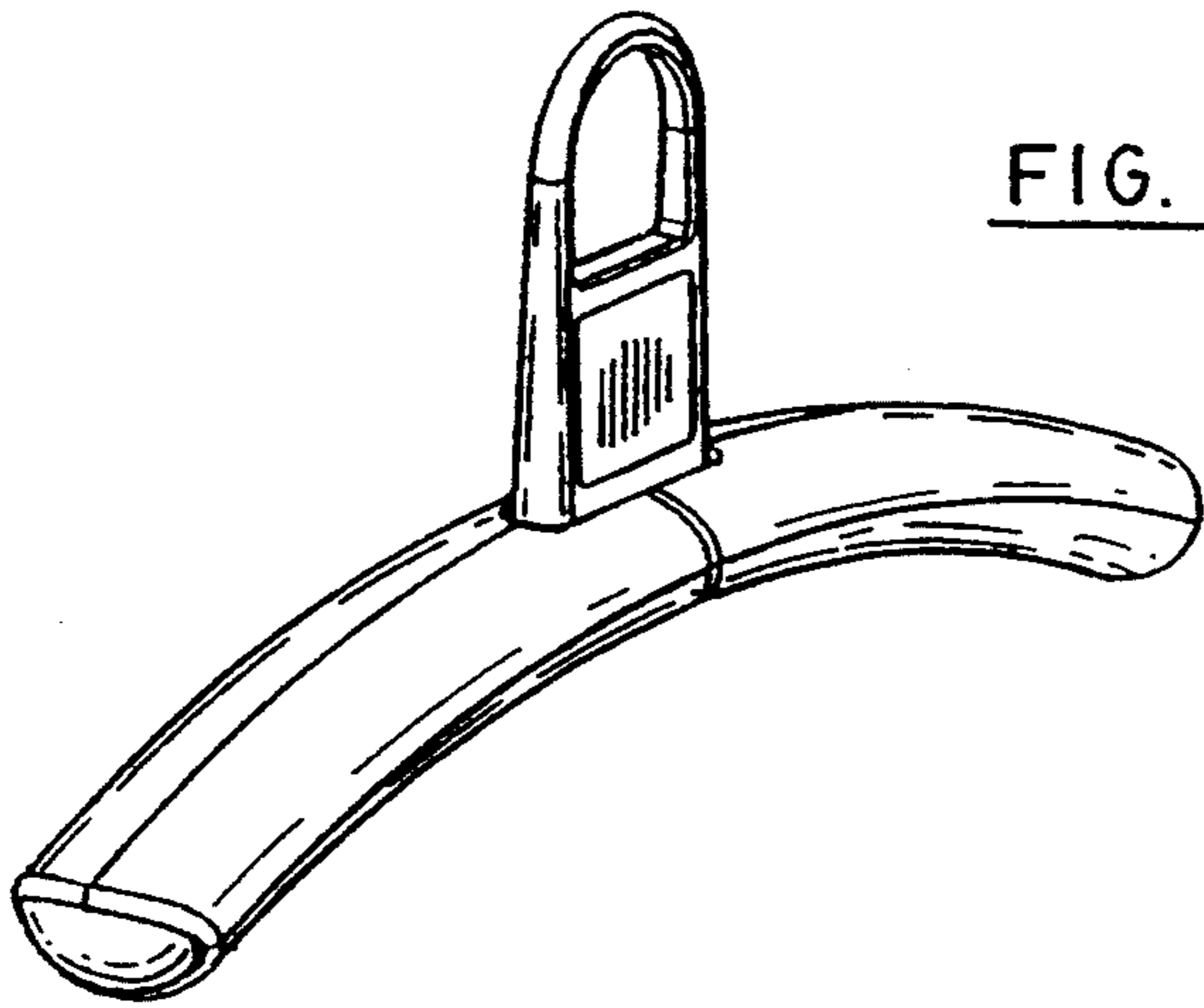


FIG. 1

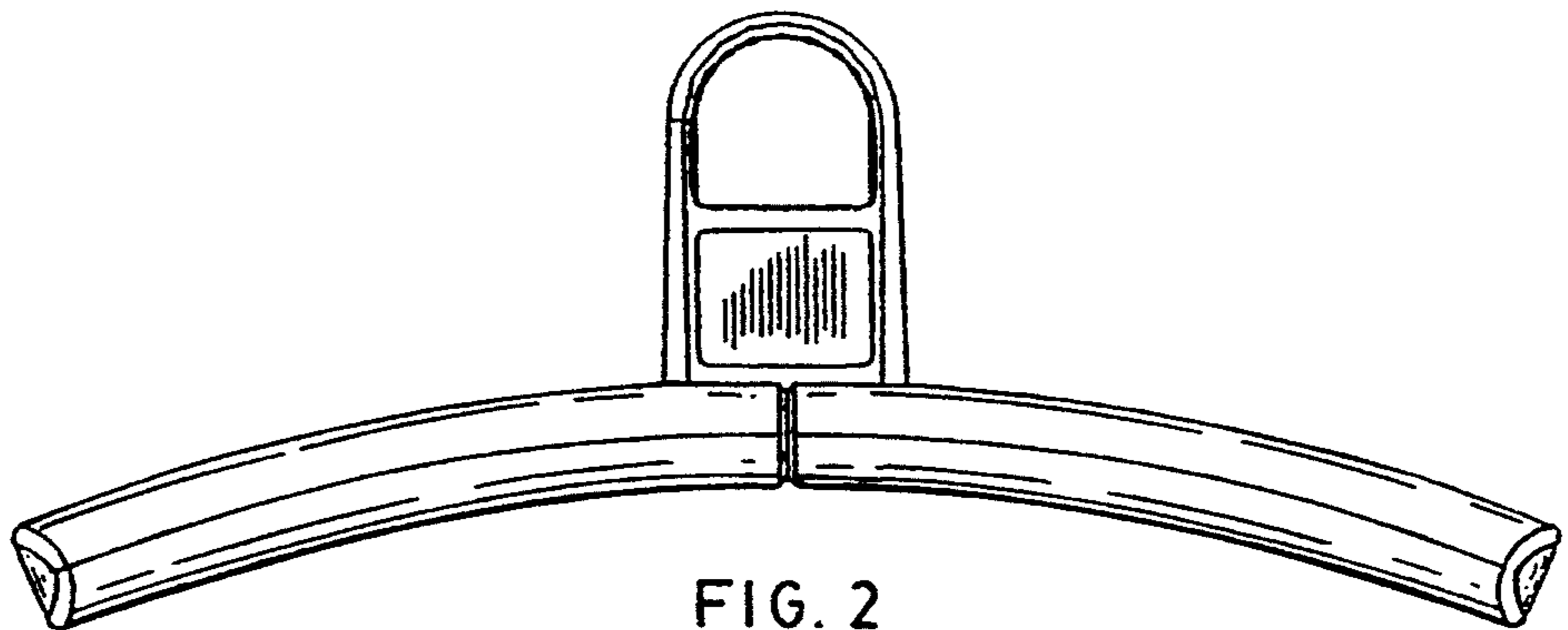


FIG. 2

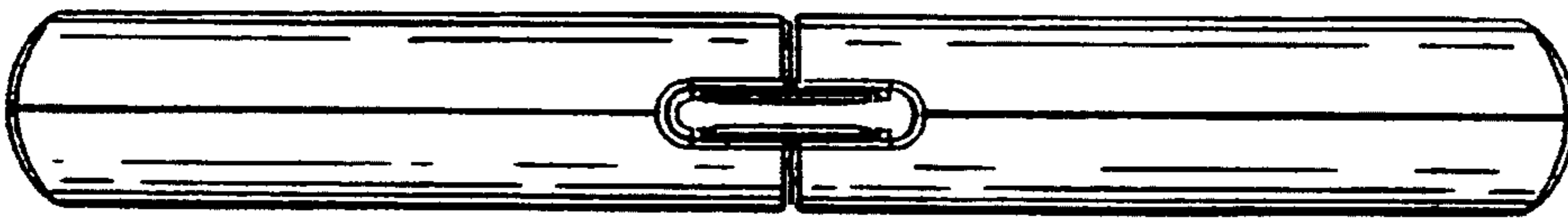


FIG. 3

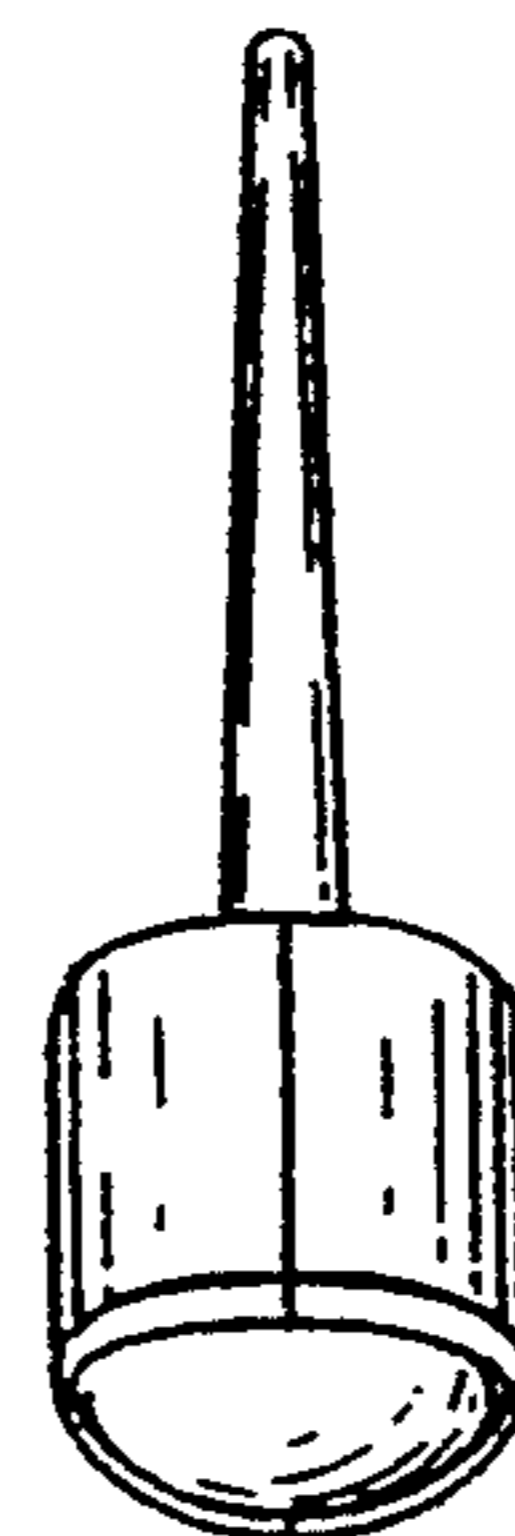


FIG. 4

FIG. 5

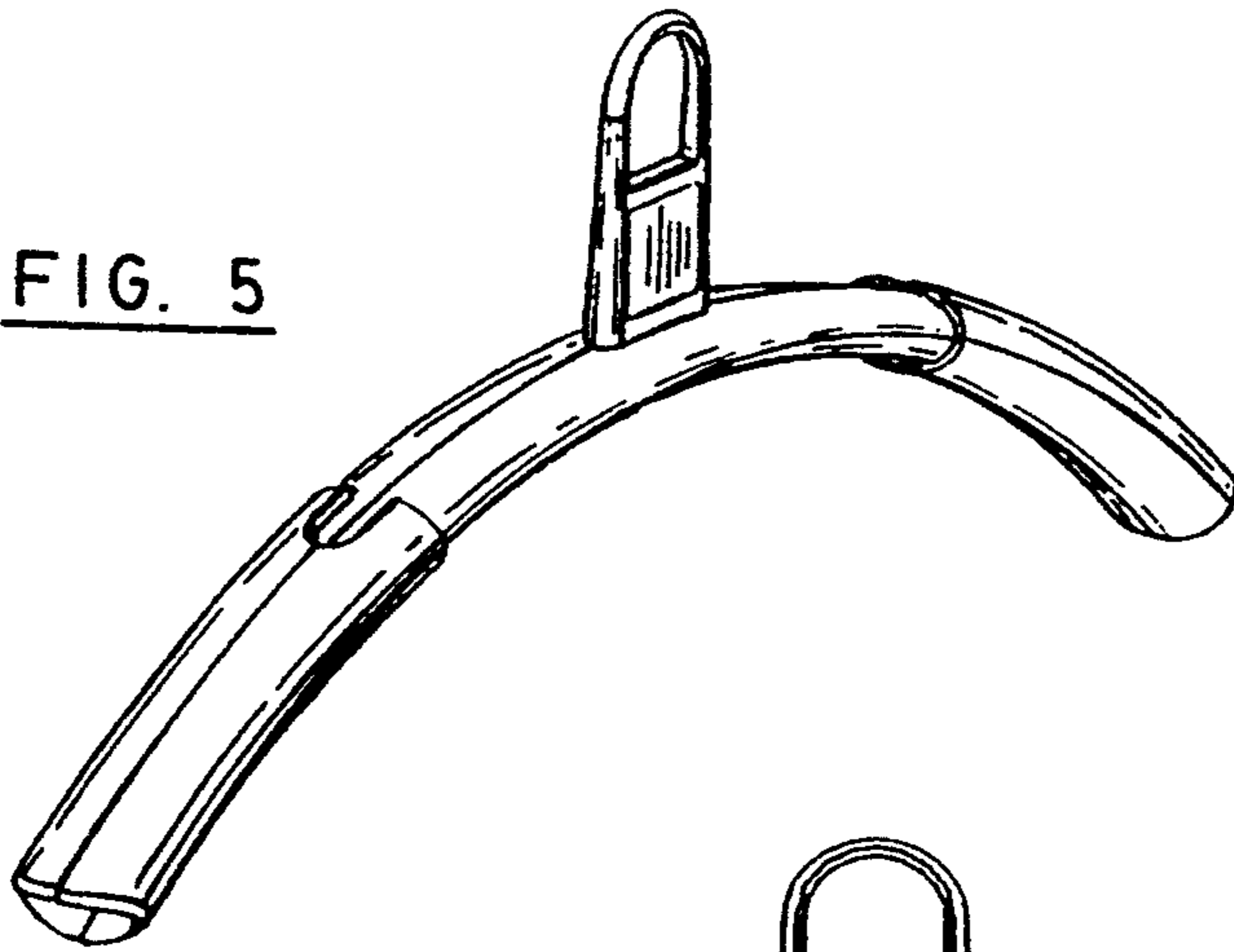


FIG. 6

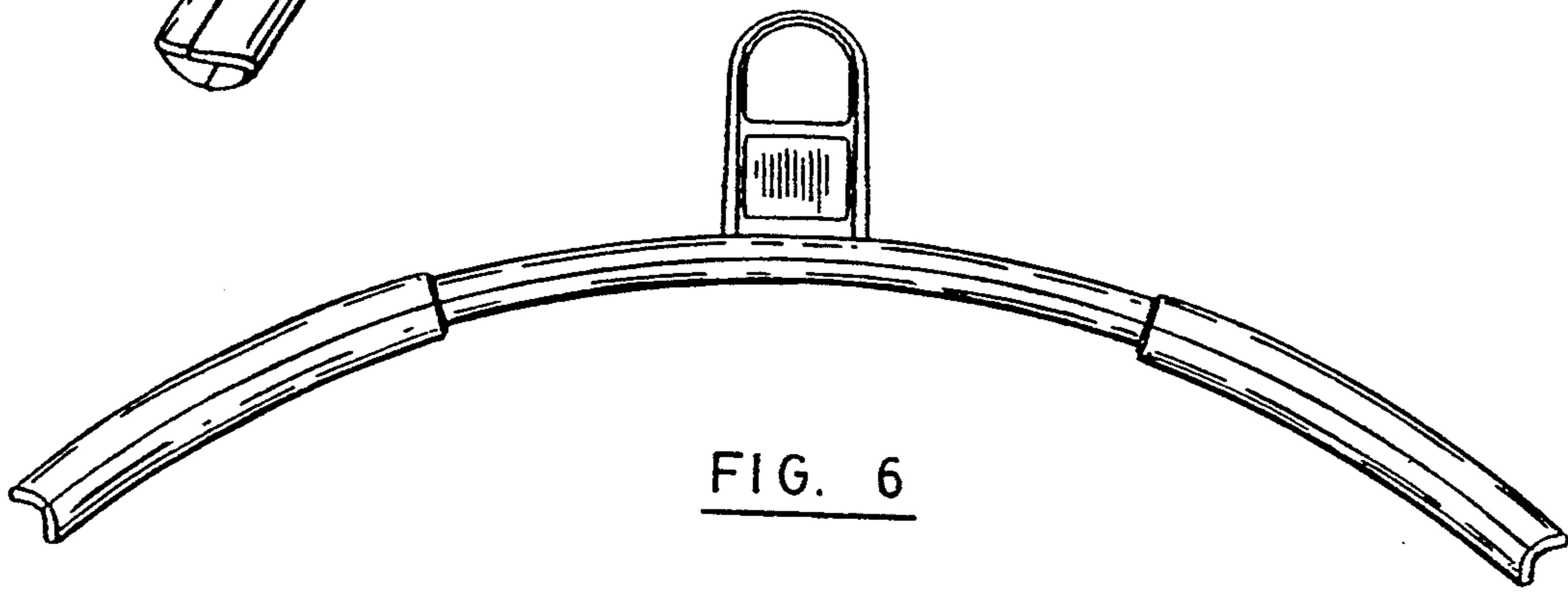


FIG. 7

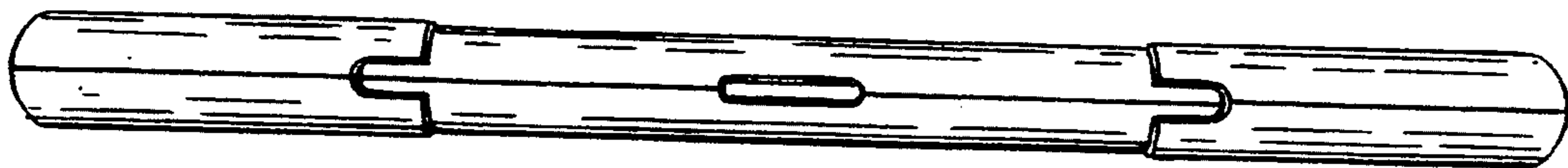


FIG. 8

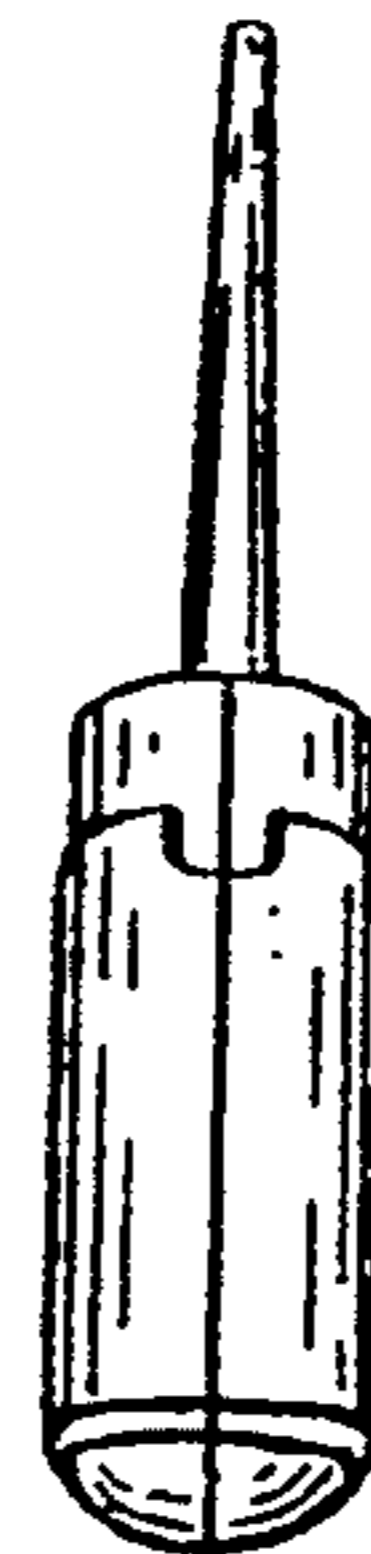


FIG. 9

