



US00D355971S

# United States Patent [19]

[11] Patent Number: **Des. 355,971**

Meller

[45] Date of Patent: **\*\* Feb. 28, 1995**

[54] **DENTAL HANDPIECE**

[76] Inventor: **Moshe Meller**, 448 Sayre Dr.,  
Princeton, N.J. 08540

[\*\*] Term: **14 Years**

[21] Appl. No.: **11,180**

[22] Filed: **Jul. 28, 1993**

[52] U.S. Cl. .... **D24/152**

[58] Field of Search ..... **D24/133, 146-147,**  
**D24/152, 176; 433/82, 141-142, 114, 116-118,**  
**124-125, 133**

[56] **References Cited**

**U.S. PATENT DOCUMENTS**

D. 241,550	9/1976	Morin .	
D. 262,737	1/1982	Meller .	
2,876,015	3/1959	Steuer et al. .	
3,803,716	4/1974	Garnier .....	433/114 X
3,842,504	10/1974	Ricks .	
3,894,338	7/1975	Loge et al. ....	433/82
4,007,529	2/1977	Fleer .	
4,033,039	7/1977	Lohn et al. ....	433/114 X
4,661,060	4/1987	Strohmaier .....	433/82
4,973,246	11/1990	Black et al. ....	433/80 X
5,096,418	3/1992	Coss .....	433/29

**OTHER PUBLICATIONS**

Henry Schein Catalog Items Handpieces, p. 113, 1982.

*Primary Examiner*—Wallace R. Burke

*Assistant Examiner*—M. H. Tung

*Attorney, Agent, or Firm*—Frishauf, Holtz, Goodman & Woodward

[57] **CLAIM**

The ornamental design for a dental handpiece, as shown and described.

**DESCRIPTION**

FIG. 1 is a front, right, top perspective view of a dental handpiece, showing our new design;

FIG. 2 is a front elevational view thereof;

FIG. 3 is a top plan view thereof;

FIG. 4 is a left side elevational view thereof;

FIG. 5 is a right side elevational view thereof;

FIG. 6 is a rear elevational view thereof;

FIG. 7 is a bottom plan view thereof;

FIG. 8 is a left, front, top perspective view of a second embodiment thereof, the difference from the first embodiment is in the right end connection member;

FIG. 9 is a front elevational view thereof;

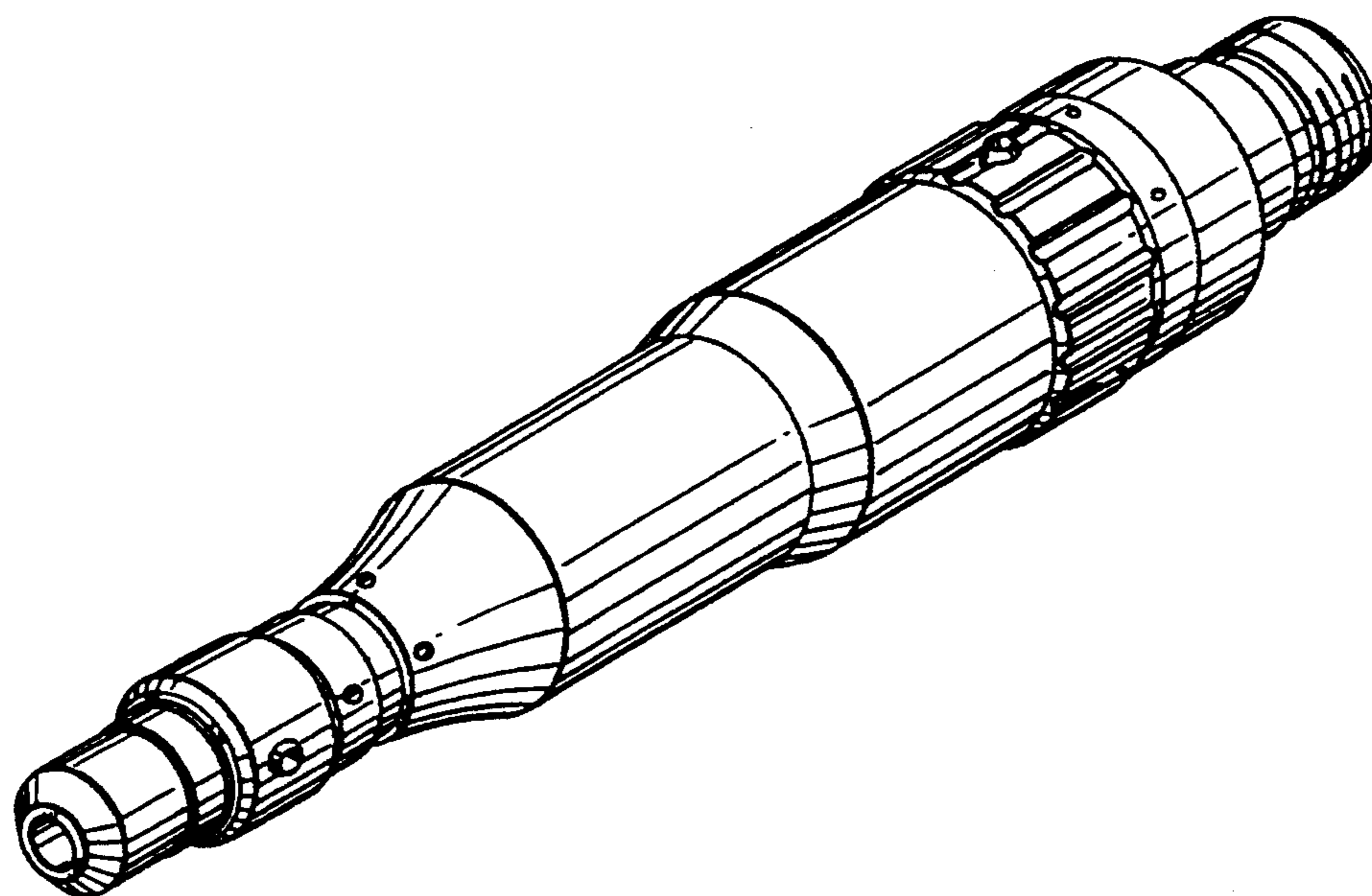
FIG. 10 is a top plan view thereof;

FIG. 11 is a left side view thereof;

FIG. 12 is a right side end view thereof;

FIG. 13 is a rear elevational view thereof; and,

FIG. 14 is a bottom plan view thereof.



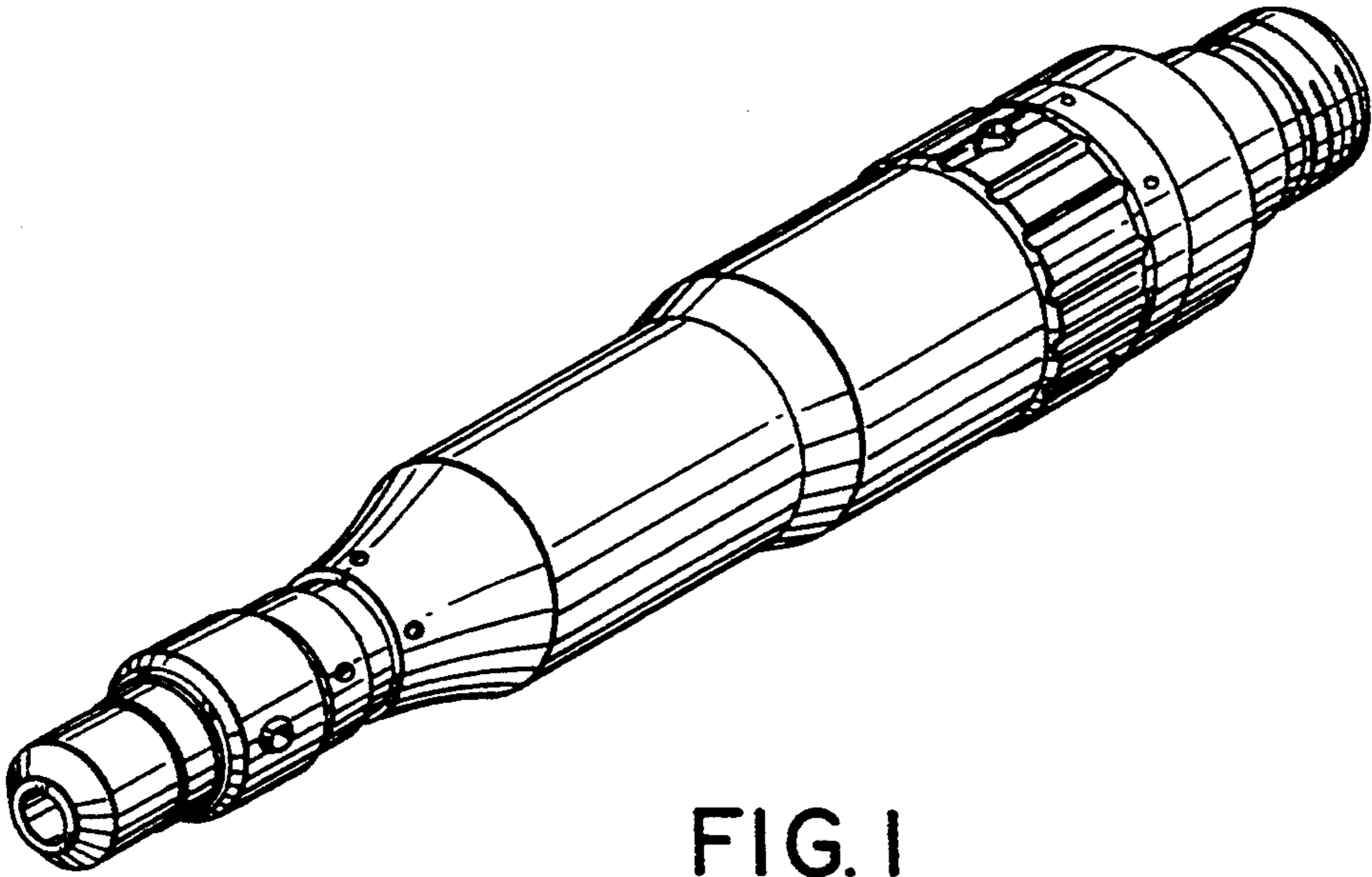


FIG. 1

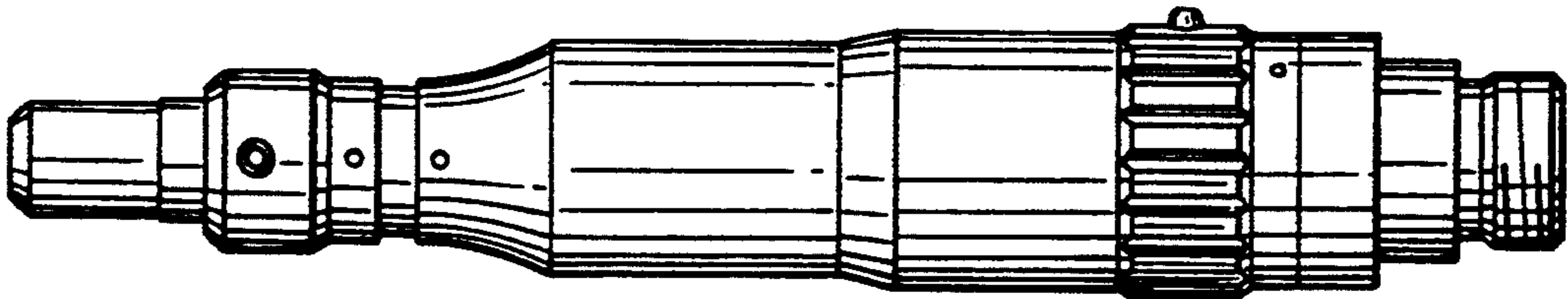


FIG. 2

FIG. 3

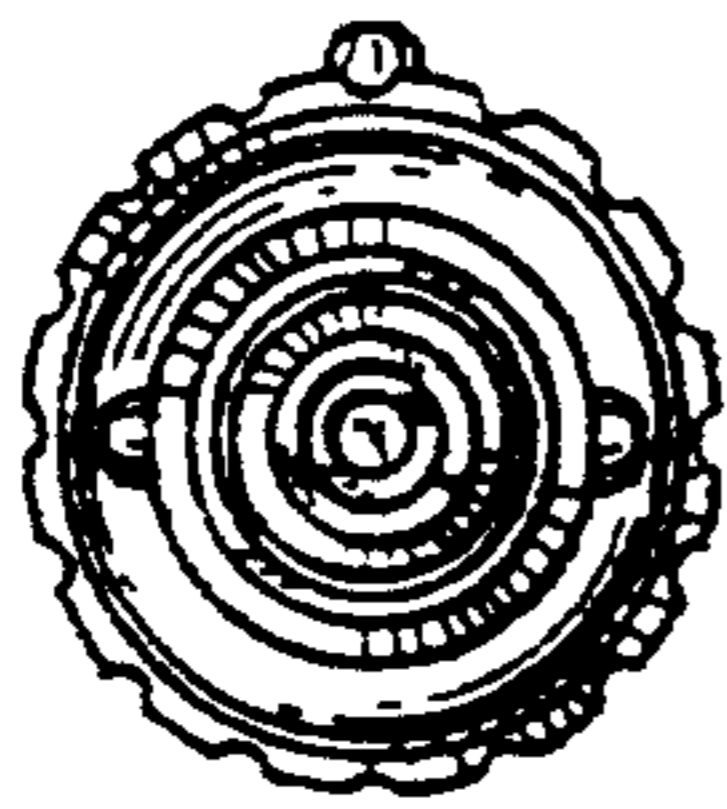
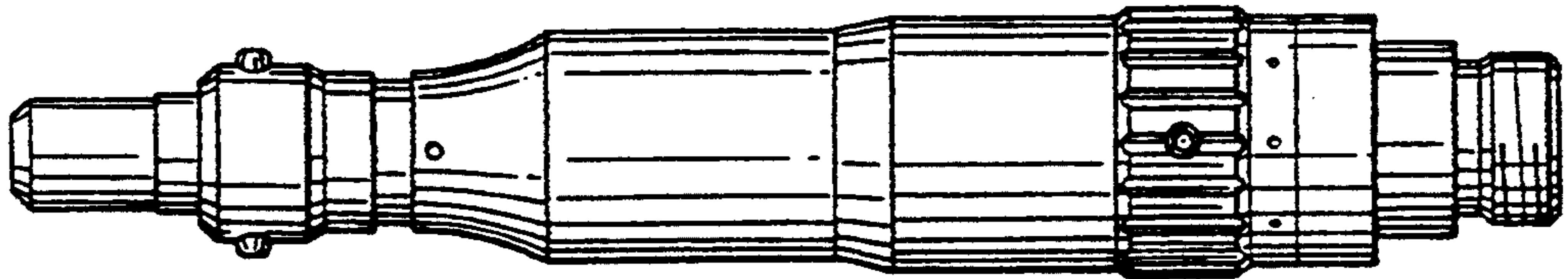


FIG. 4

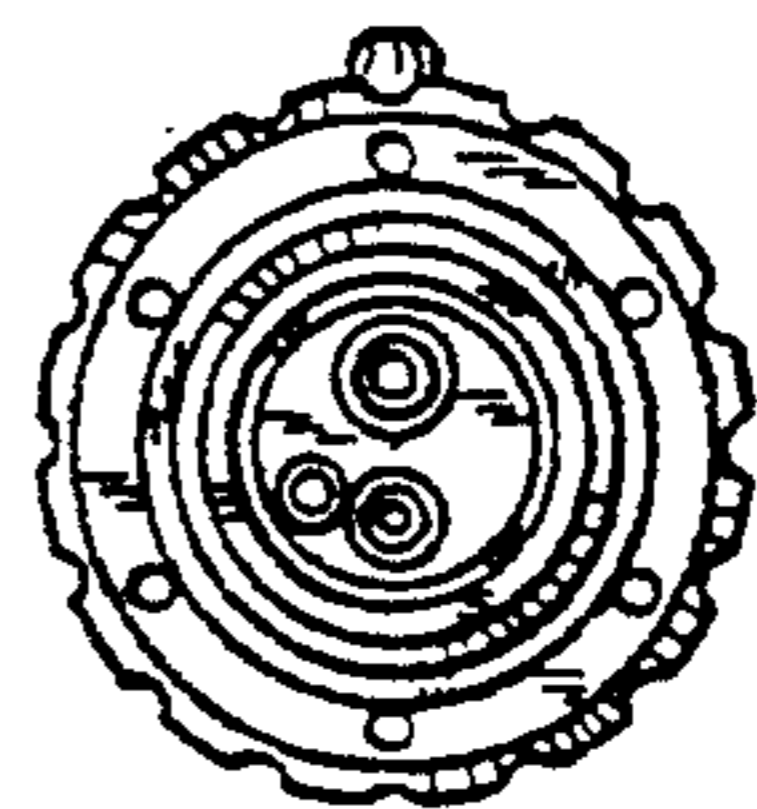


FIG. 5

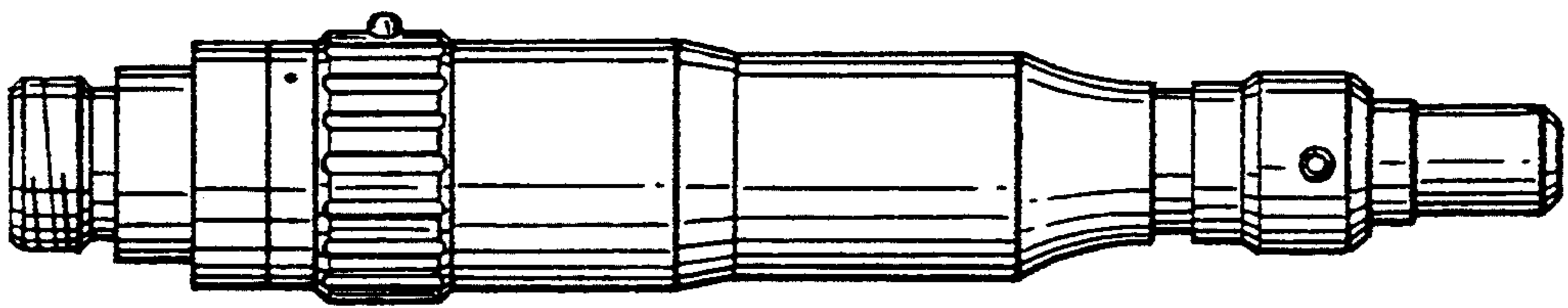


FIG. 6

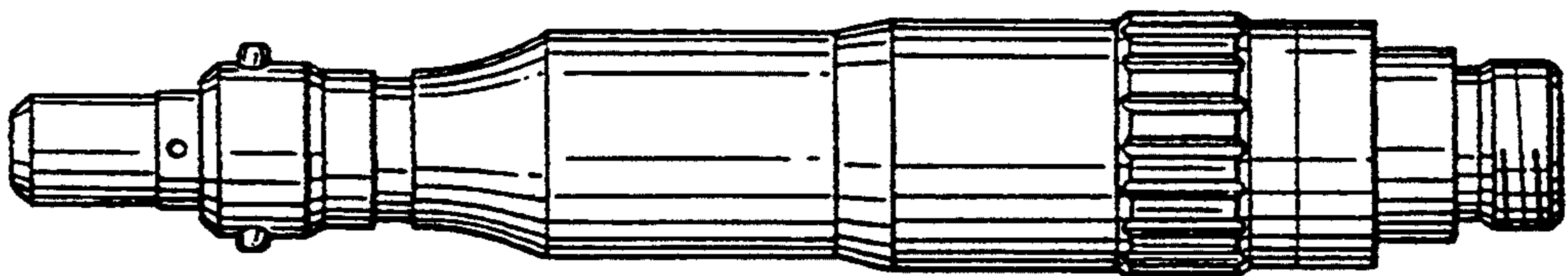


FIG. 7

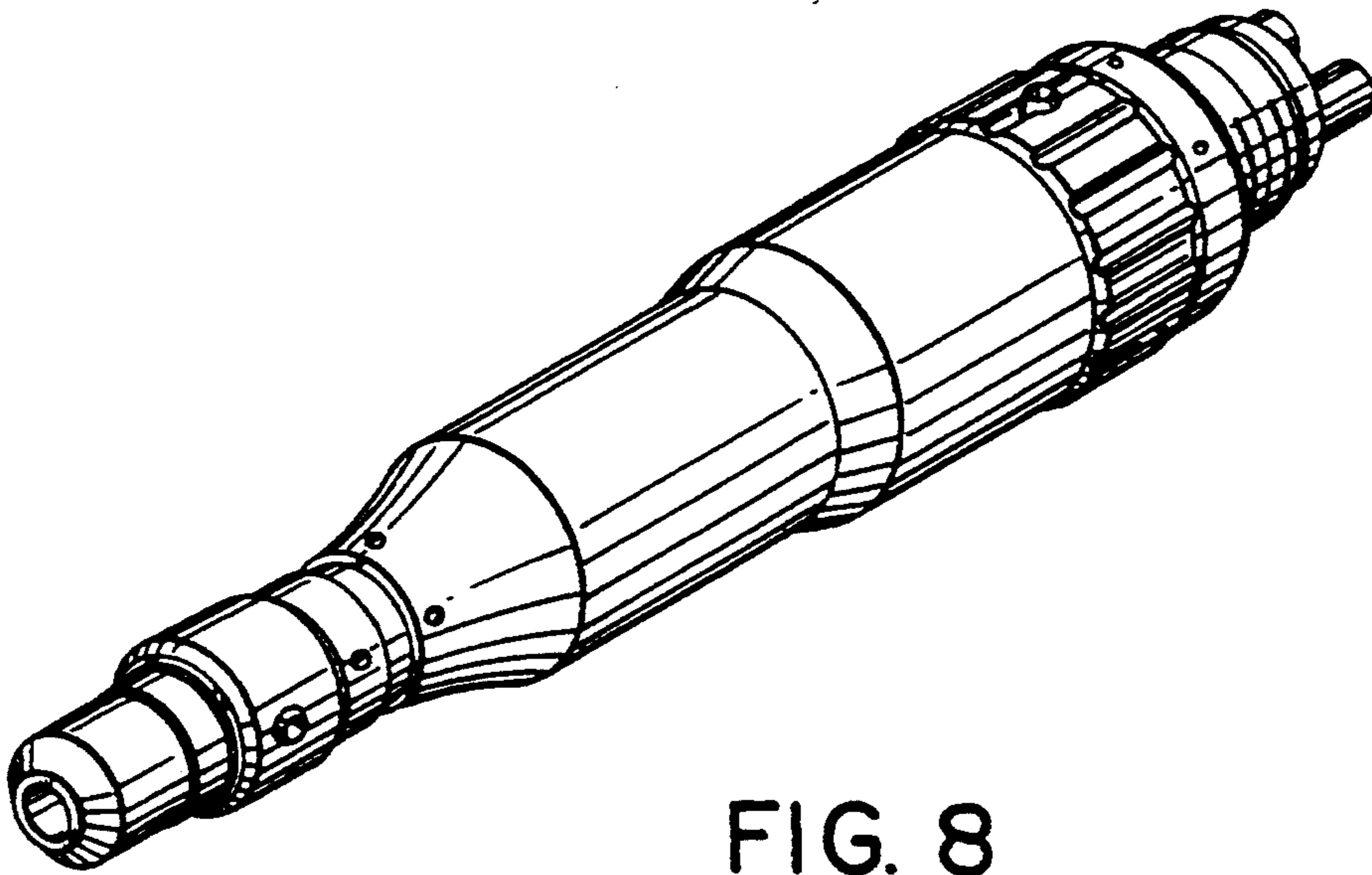


FIG. 8

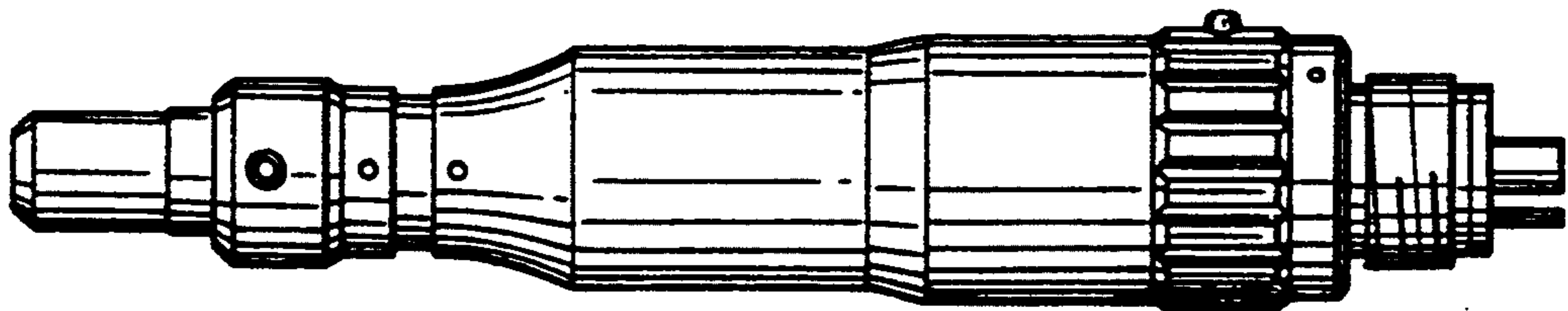


FIG. 9

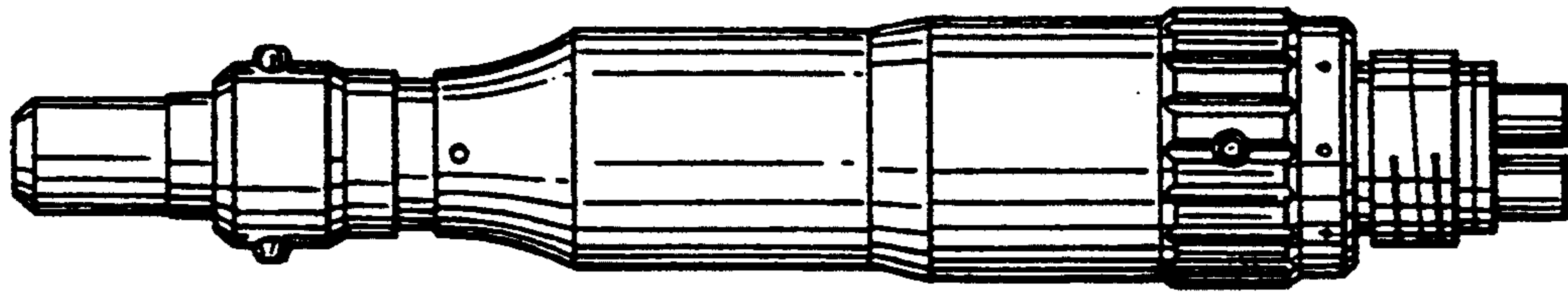


FIG. 10

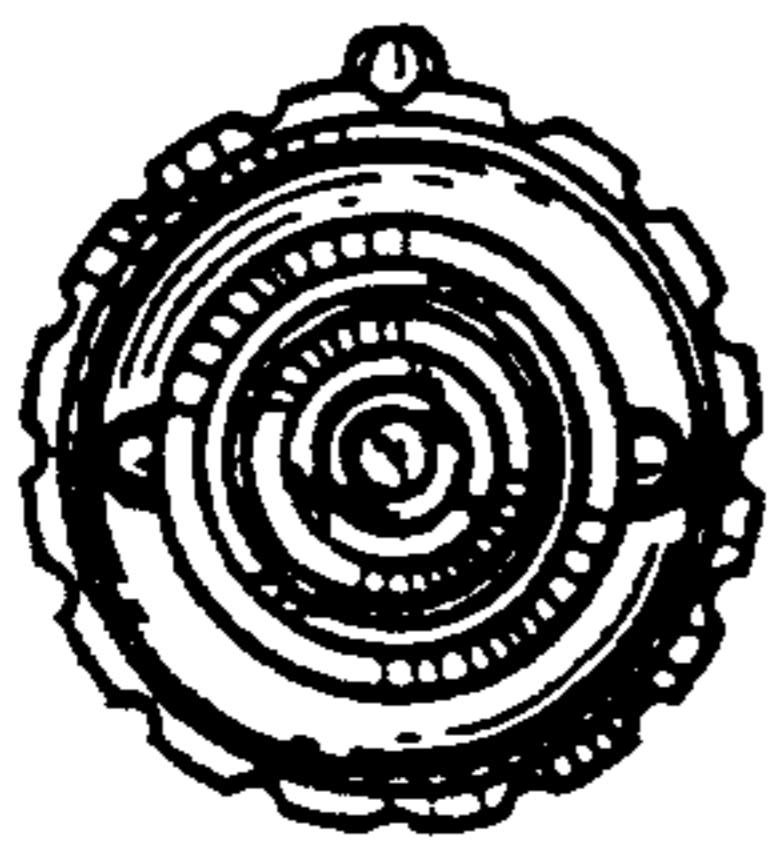


FIG. 11

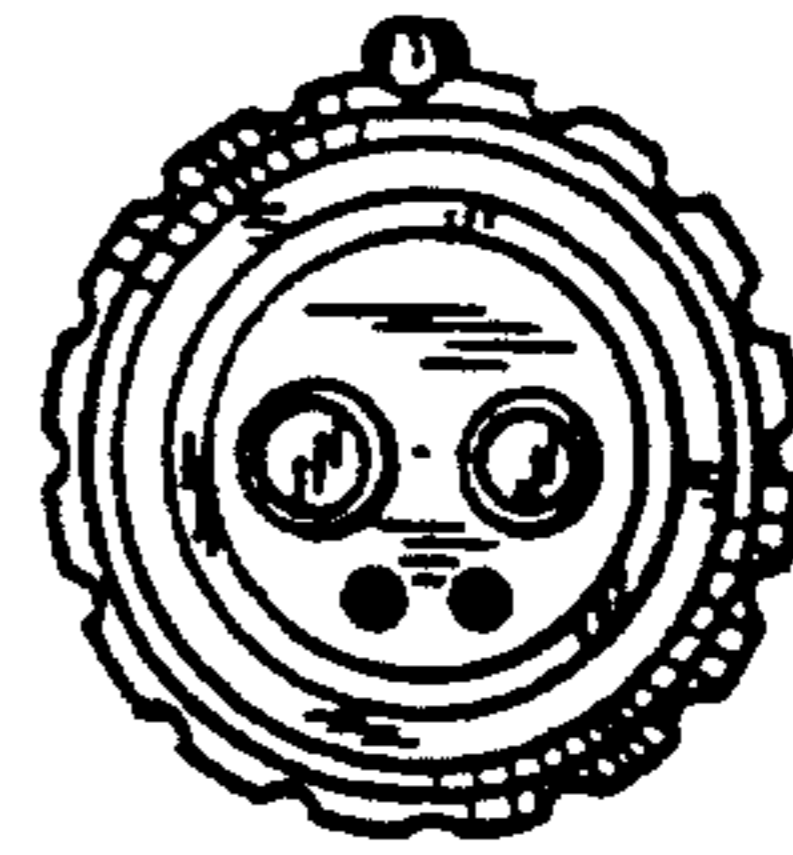


FIG. 12

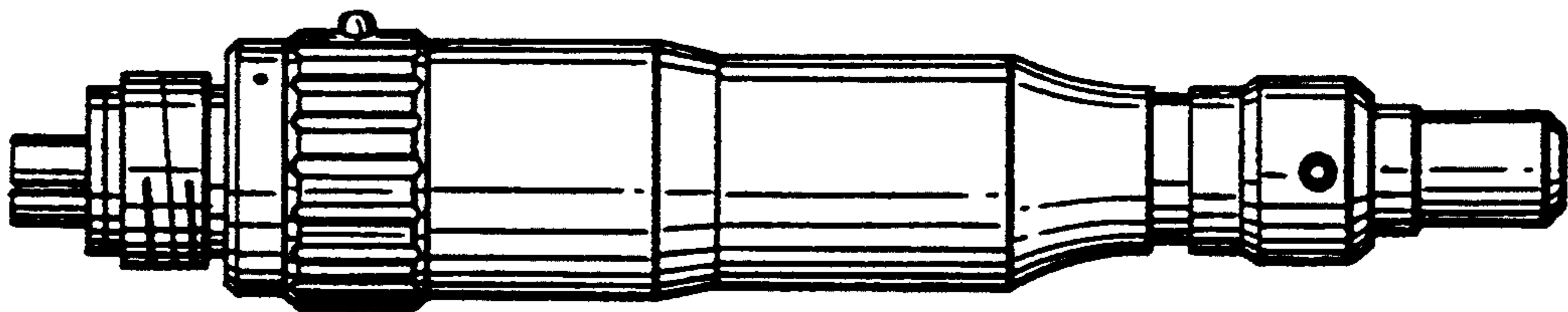


FIG. 13

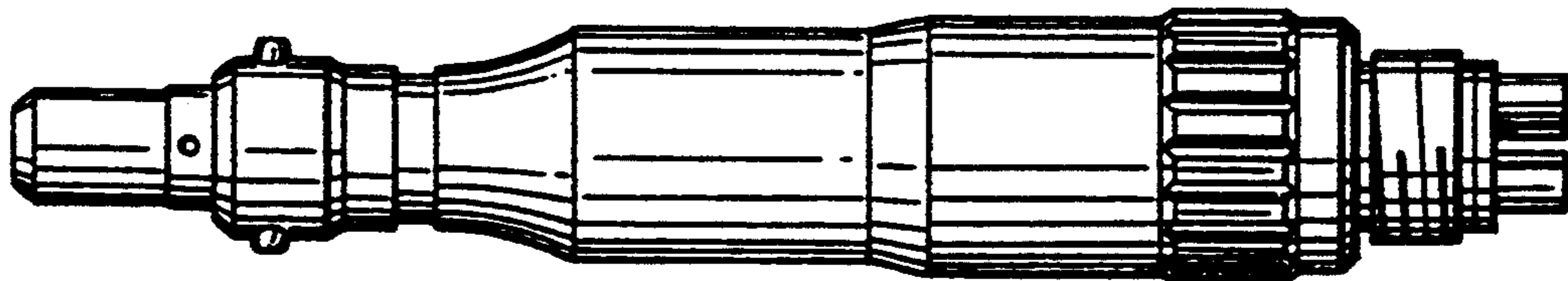


FIG. 14