



US00D355970S

United States Patent [19]

[11] Patent Number: **Des. 355,970**

Monthony et al.

[45] Date of Patent: **** Feb. 28, 1995**

[54] **CULTURETTE SLEEVE FOR BREAKING AN AMPOULE**

[75] Inventors: **James F. Monthony**, Baltimore;
Dwight Livingston, Towson; **David M. Betit**, Frederick, all of Md.;
Albert Lopez, El Paso, Tex.

[73] Assignee: **Becton, Dickinson and Company**, Franklin Lakes, N.J.

[**] Term: **14 Years**

[21] Appl. No.: **10,072**

[22] Filed: **Jun. 28, 1993**

[52] U.S. Cl. **D24/133; D24/130; D24/224**

[58] Field of Search **D24/133, 224; 128/759, 128/771, 760, 763; 435/294, 295, 296**

[56] **References Cited**

U.S. PATENT DOCUMENTS

D. 340,519	10/1993	Ogden et al.	D24/130
3,450,129	6/1969	Avery et al.	128/2
3,891,331	6/1975	Avery	401/132
3,924,623	12/1975	Avery	128/269
4,014,748	3/1977	Spinner et al.	195/127
4,023,934	5/1977	Spinner et al.	23/254
4,211,323	7/1980	Olsen	206/210
4,311,792	1/1982	Avery	435/30
4,353,868	10/1982	Joslin et al.	422/101
4,353,869	10/1982	Guth	D24/224 X
4,528,268	7/1985	Andersen et al.	435/294 X
4,604,360	8/1986	Hounsell	435/287

4,743,537	5/1988	McCormick et al.	435/296
5,158,749	10/1992	Eberle	422/104 X
5,256,537	10/1993	Phillips et al.	435/254 X
5,313,959	5/1994	Monthong et al.	428/759

FOREIGN PATENT DOCUMENTS

0420450 9/1989 European Pat. Off. C12M 1/30

Primary Examiner—A. Hugo Word
Assistant Examiner—I. Simmons
Attorney, Agent, or Firm—Nanette S. Thomas

[57] **CLAIM**

The ornamental design for a culturette sleeve for breaking an ampoule, as shown and described.

DESCRIPTION

FIG. 1 is a top and front perspective view of the culturette sleeve for breaking an ampoule;
 FIG. 2 is a top plan view thereof, the bottom plan view being a mirror image thereto;
 FIG. 3 is a side elevational view thereof the opposite side elevational view being a mirror image thereto;
 FIG. 4 is a front elevational view thereof;
 FIG. 5 is a back elevational view thereof;
 FIG. 6 is a perspective view of a second embodiment of the showing our new design;
 FIG. 7 is a top plan view thereof, the bottom plan view is a mirror image thereto;
 FIG. 8 is a side elevational view thereof, the opposite side elevational view being a mirror image thereto;
 FIG. 9 is a front elevational view thereof; and,
 FIG. 10 is a back elevational view thereof.

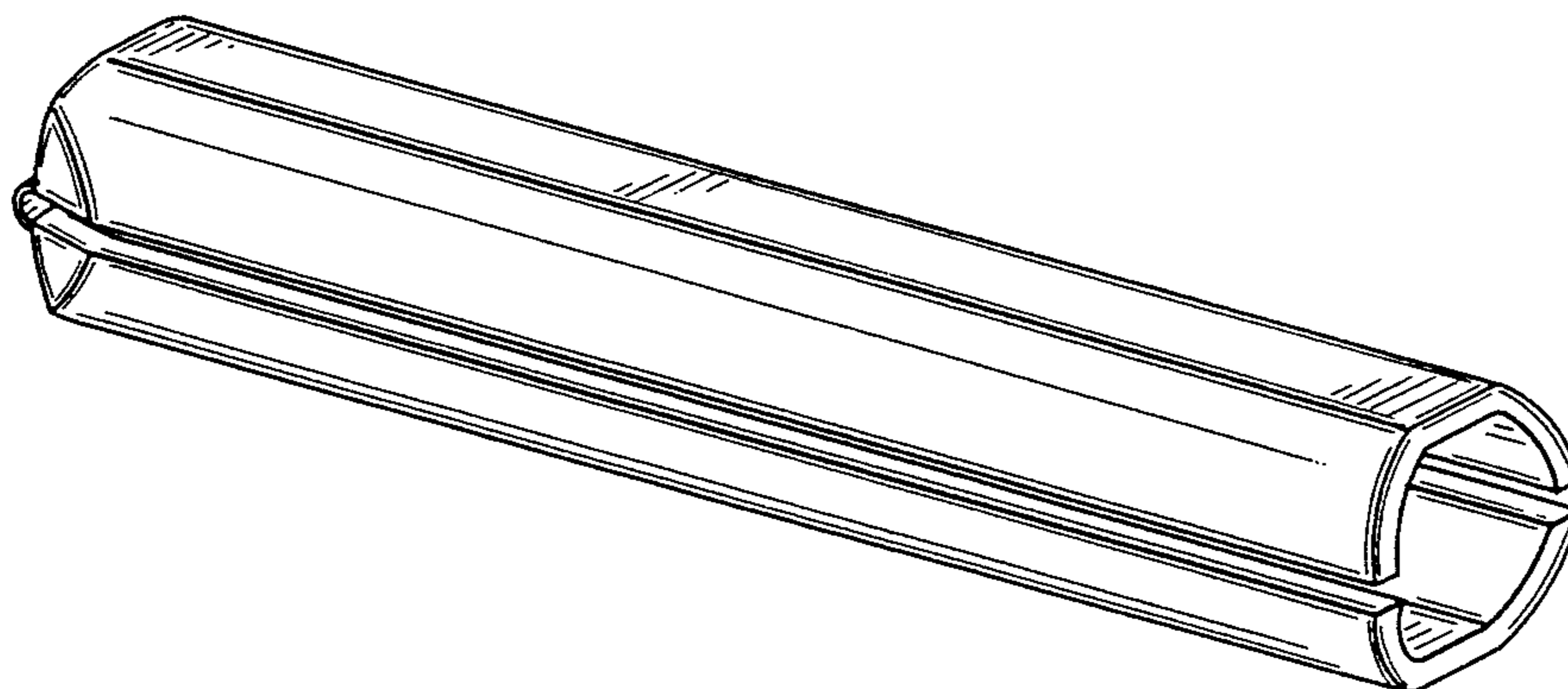
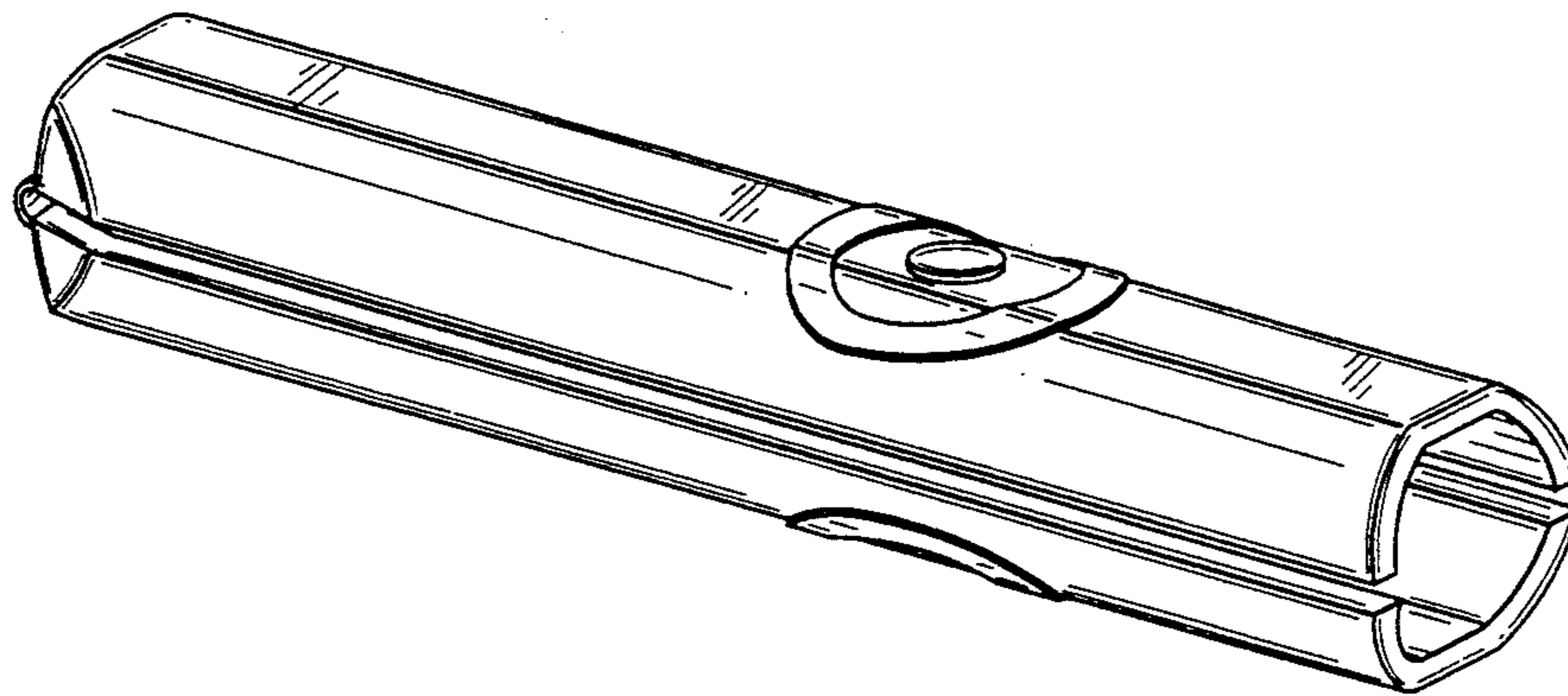


FIG-1

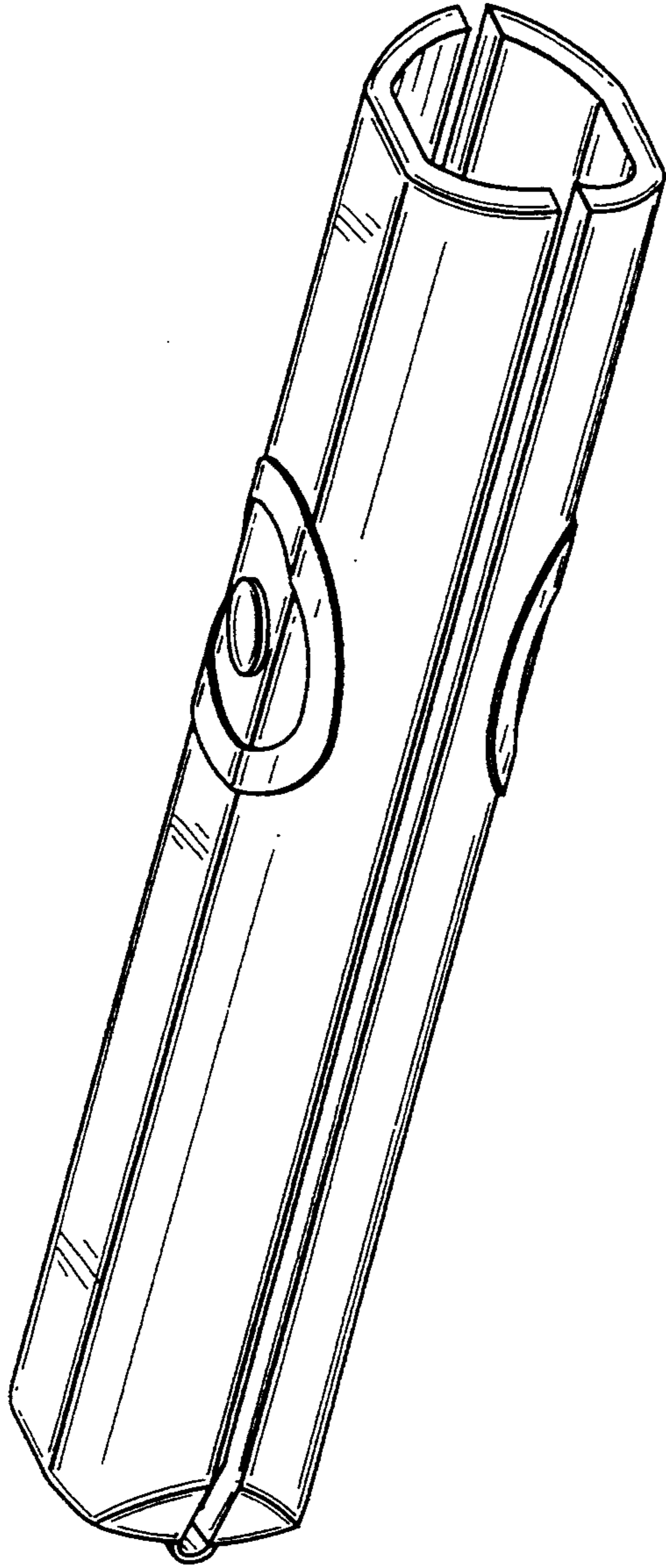


FIG-2

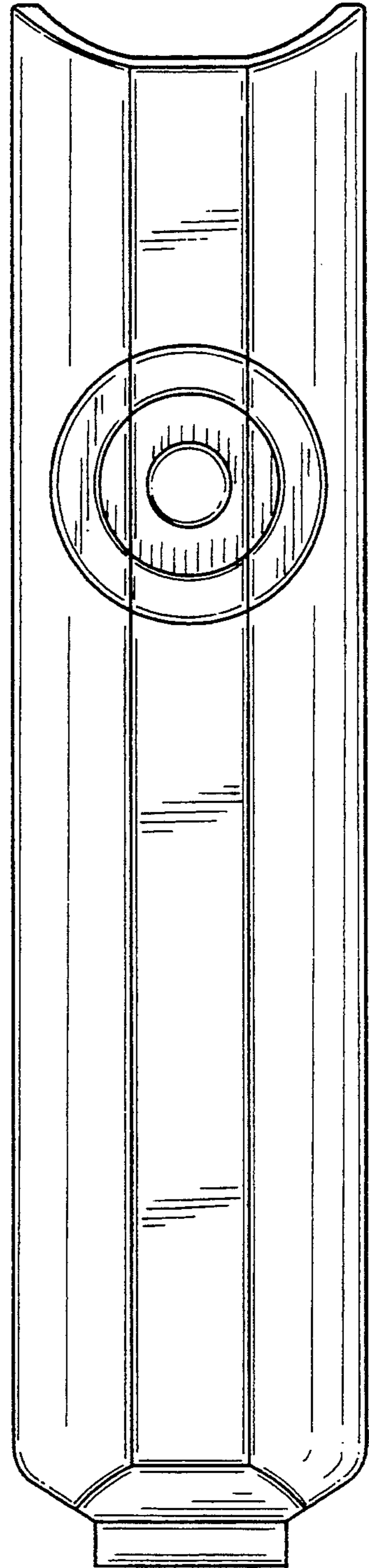


FIG-3

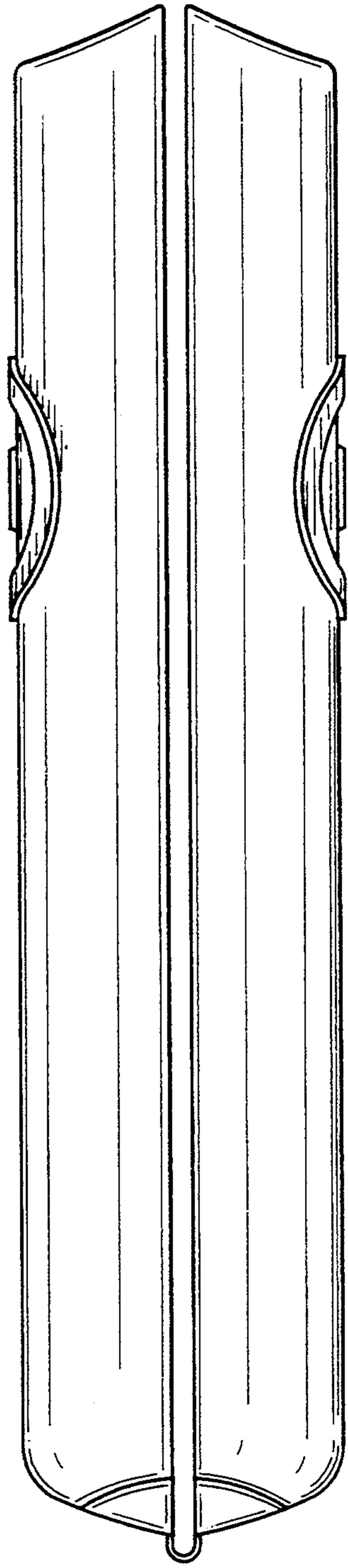


FIG-4

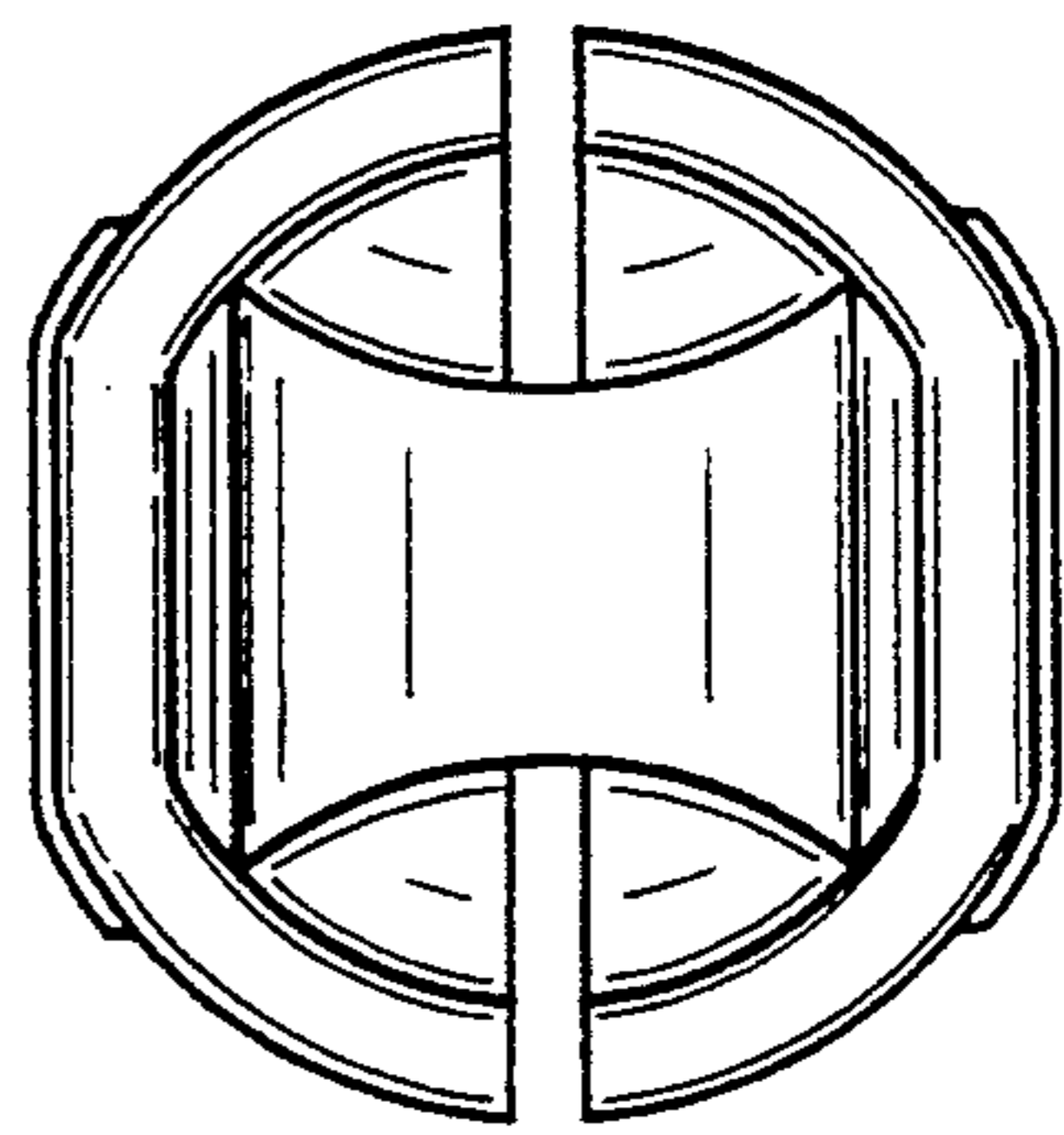


FIG-5

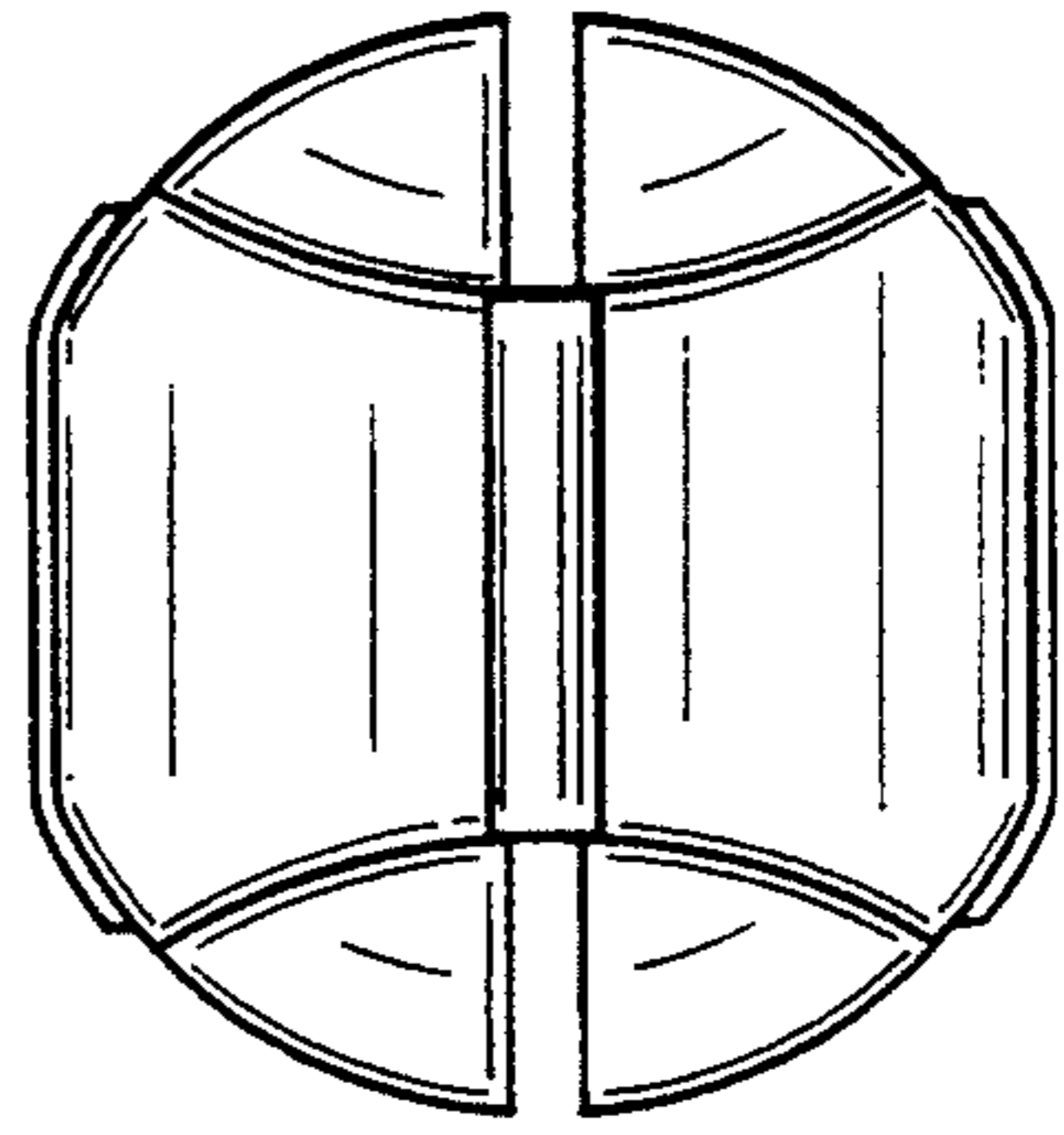


FIG-6

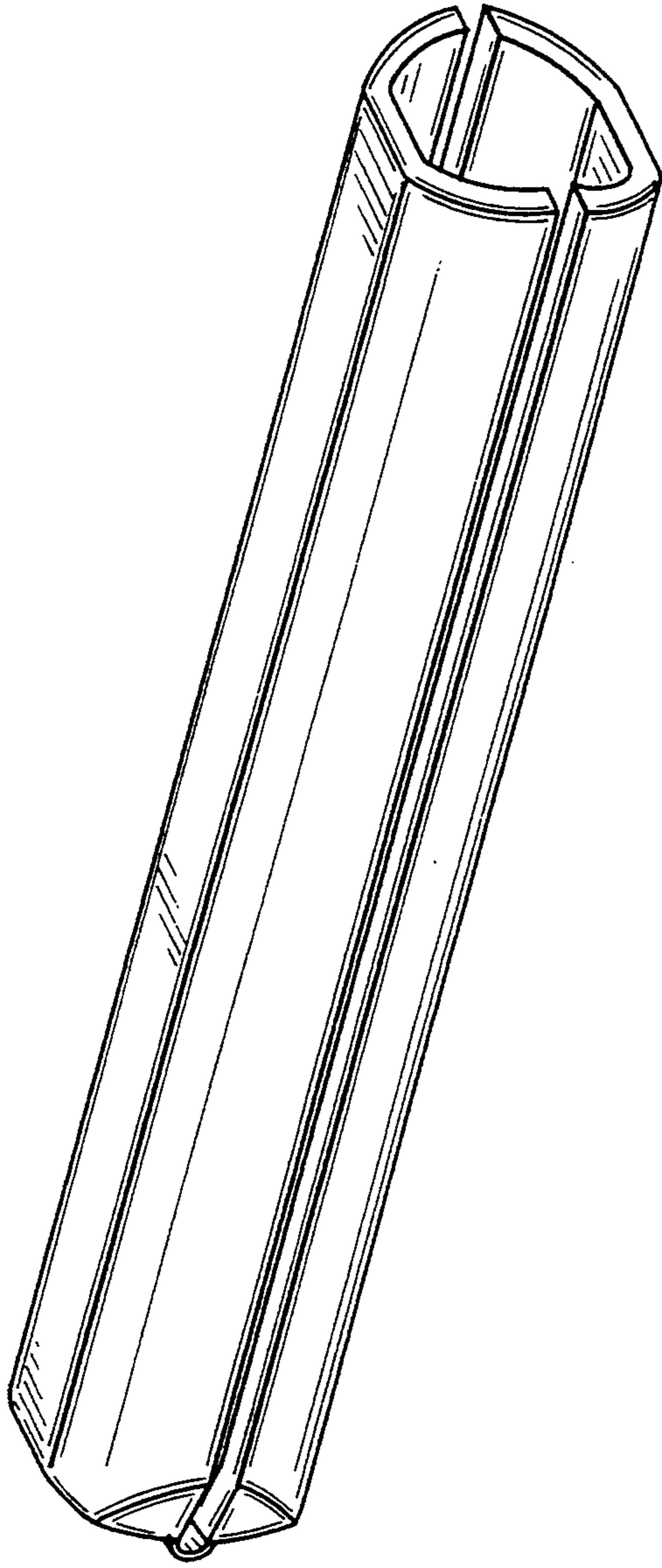


FIG-7

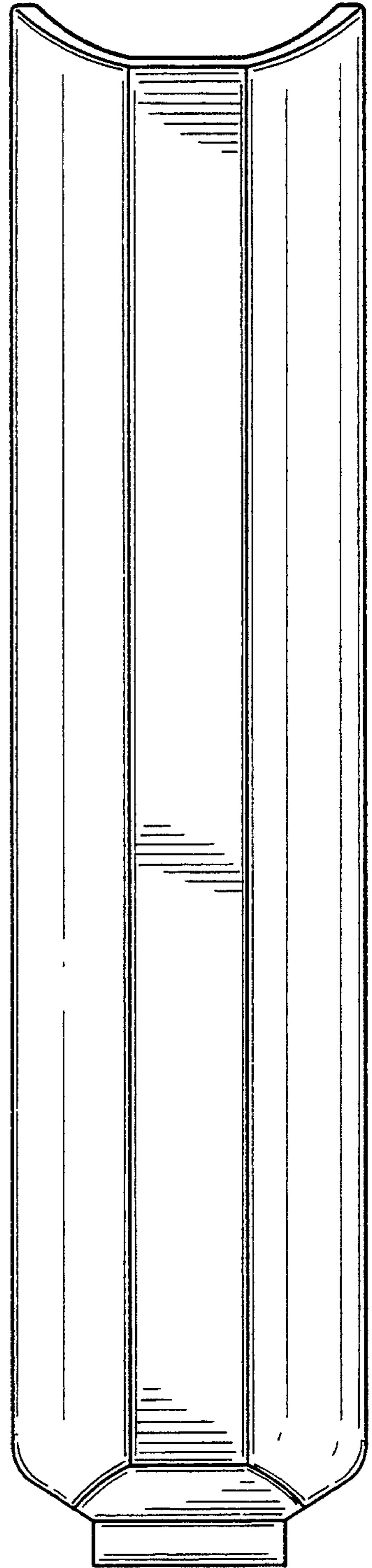


FIG-8

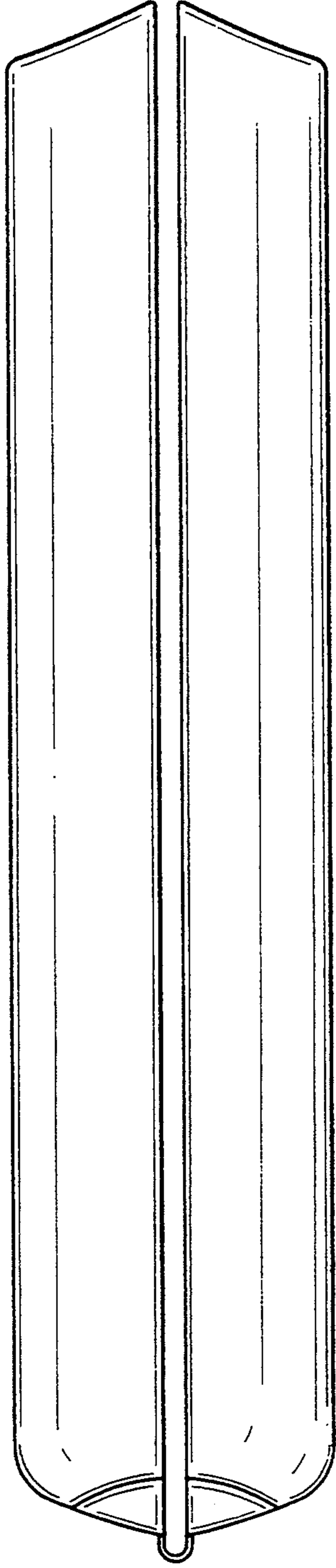


FIG-9

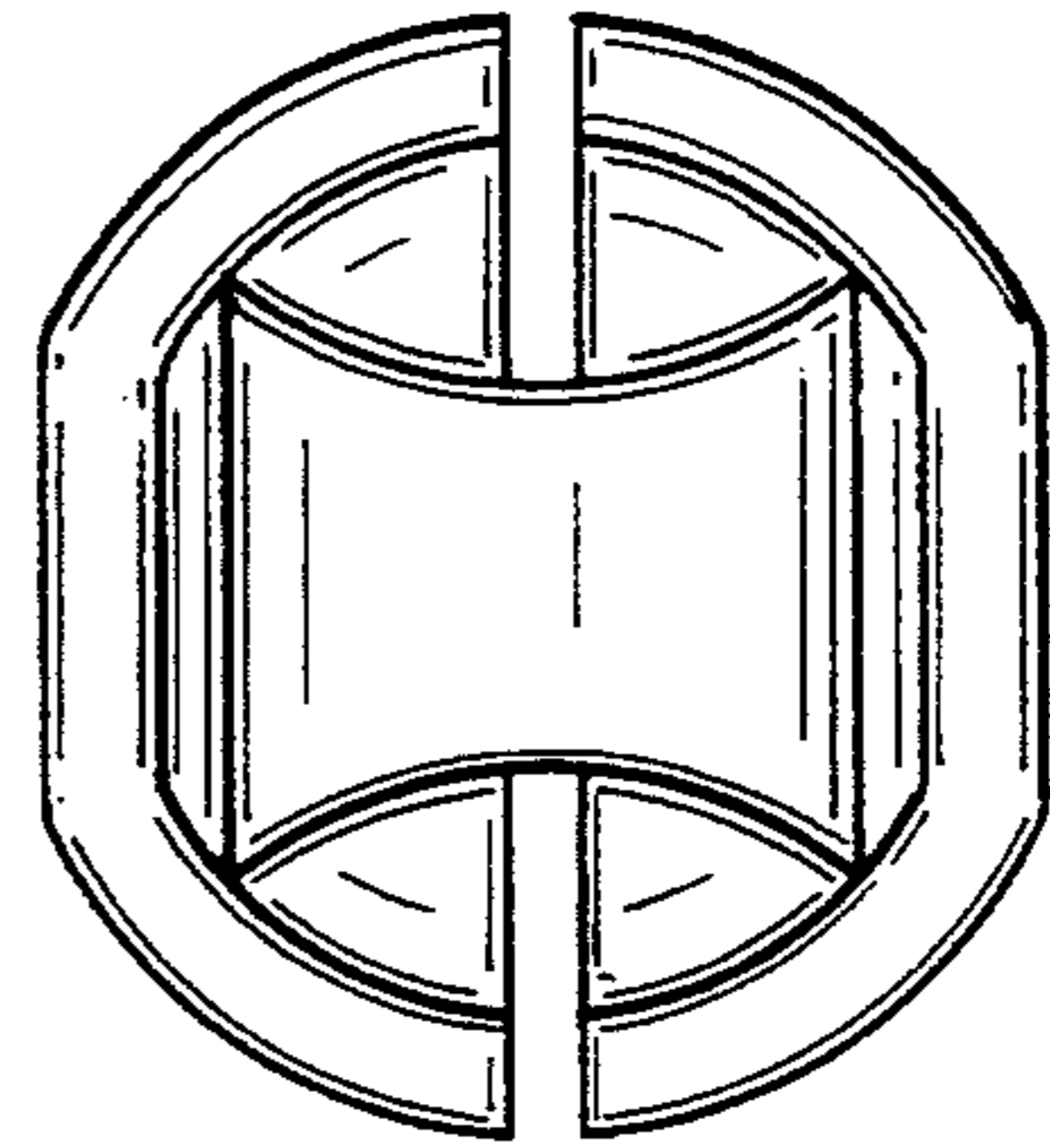


FIG-10

