



US00D355960S

United States Patent [19]

[11] Patent Number: **Des. 355,960**

Galasso et al.

[45] Date of Patent: **** Feb. 28, 1995**

[54] **TOILET VENTILATOR**

4,117,559 10/1978 Boyle 4/216 X
4,168,553 9/1979 Studer 4/348
4,365,361 12/1982 Sanstrom .

[76] Inventors: **Louis A. Galasso; Angelina C. Galasso**, both of 28 Apple Ave., Bellmawr, N.J. 08031

Primary Examiner—A. Hugo Word
Assistant Examiner—Eric Watterson
Attorney, Agent, or Firm—Terry M. Gernstein

[**] Term: **14 Years**

[21] Appl. No.: **9,802**

[57] **CLAIM**

The ornamental design for a toilet ventilator, as shown and described.

[22] Filed: **Jun. 24, 1993**

[52] U.S. Cl. **D23/311**

[58] Field of Search **D23/309-311,**
D23/303; 4/209 R, 234, 215, 216, 237, 238,
242.1, 248, 351

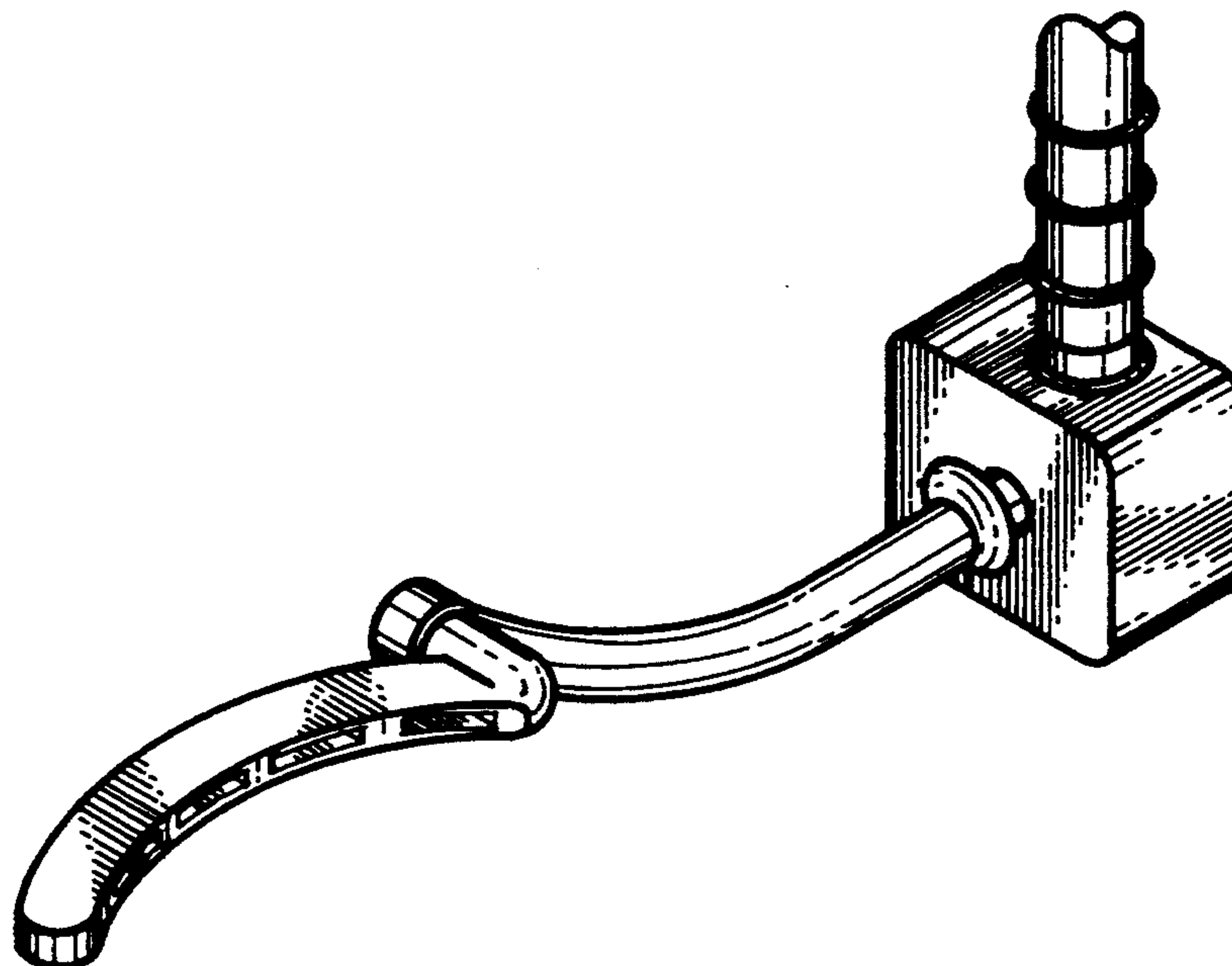
DESCRIPTION

FIG. 1 is a front, top and side perspective view of the toilet ventilator showing my new design; FIG. 2 is a front elevational view thereof; FIG. 3 is a rear elevational view thereof; FIG. 4 is a side elevational view thereof; FIG. 5 is a side elevational view thereof; FIG. 6 is a top plan view thereof; and, FIG. 7 is a bottom plan view thereof.

[56] **References Cited**

U.S. PATENT DOCUMENTS

2,696,619 12/1954 Ring .
3,069,696 12/1962 Howell **D23/309 X**
3,277,499 10/1966 Keefauver .



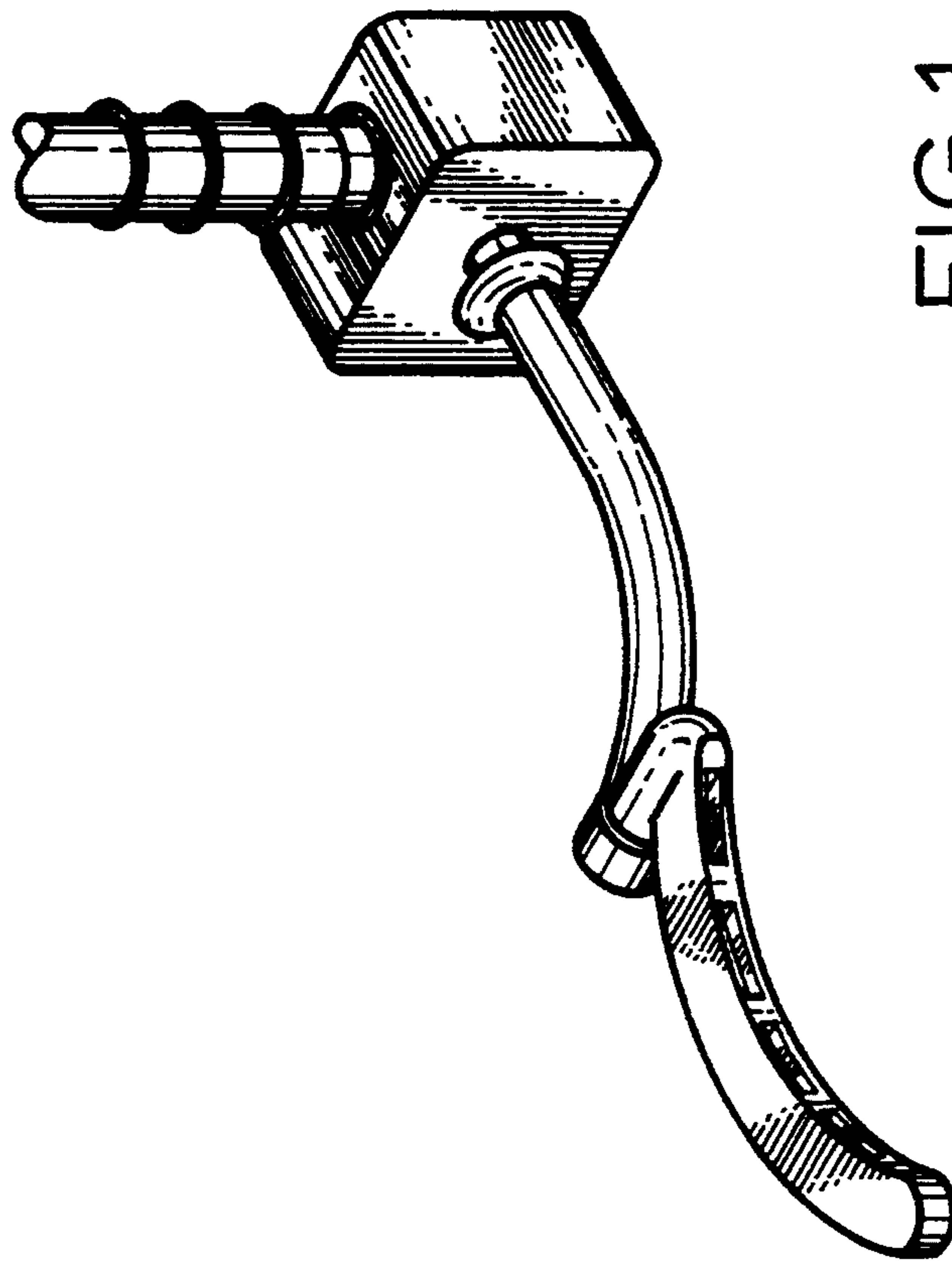


FIG. 1

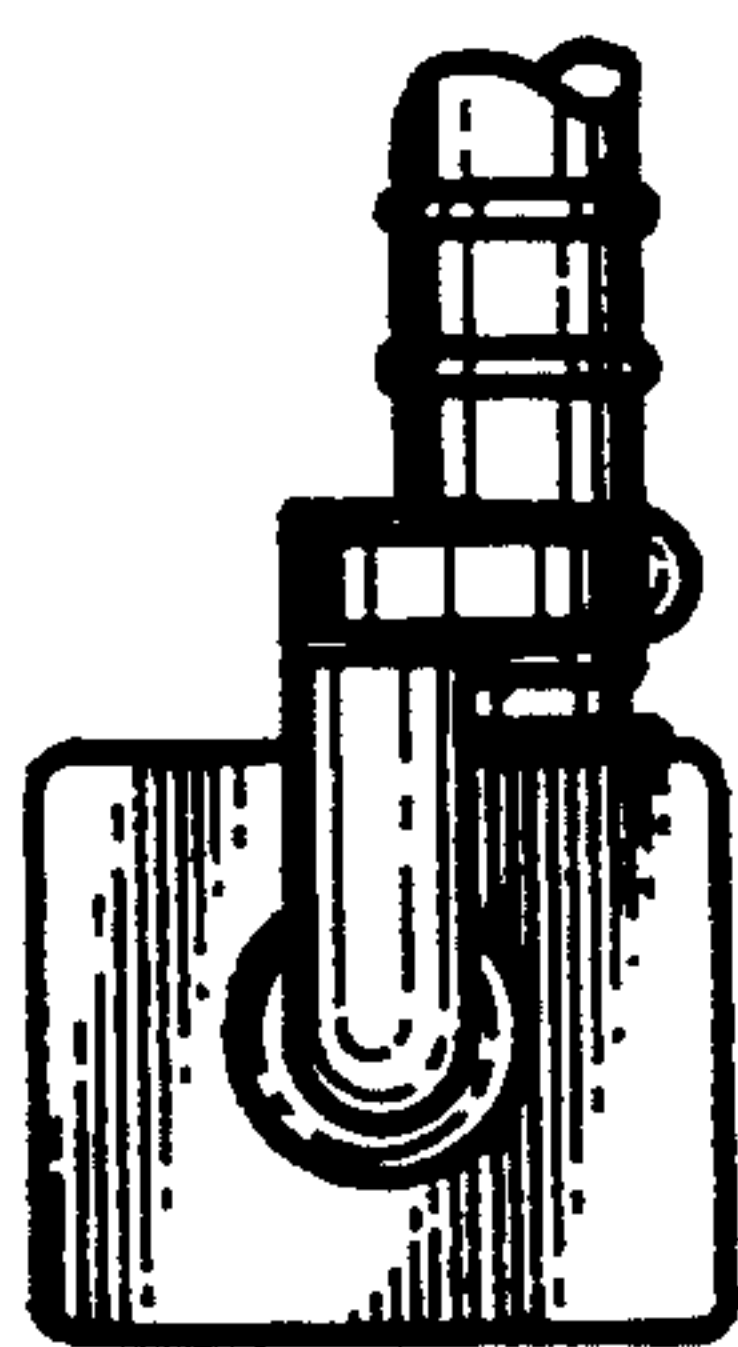


FIG. 2

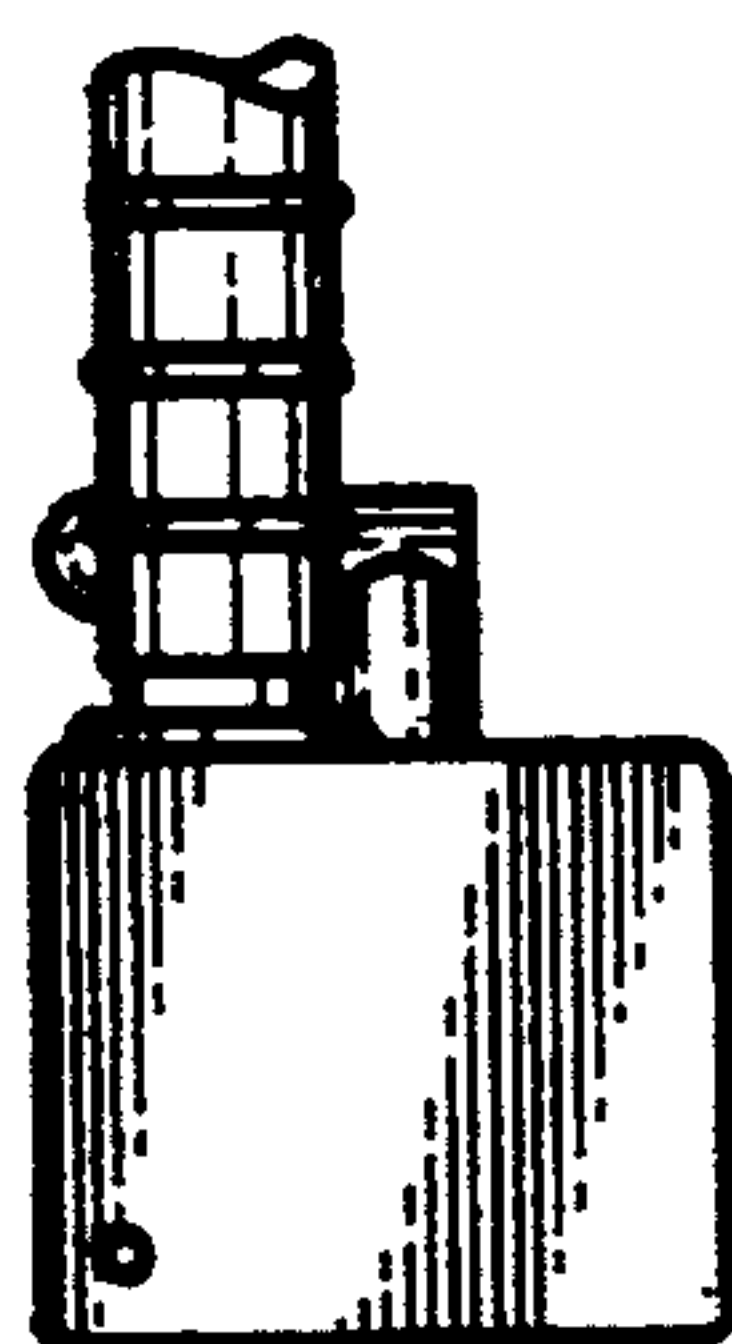


FIG. 3

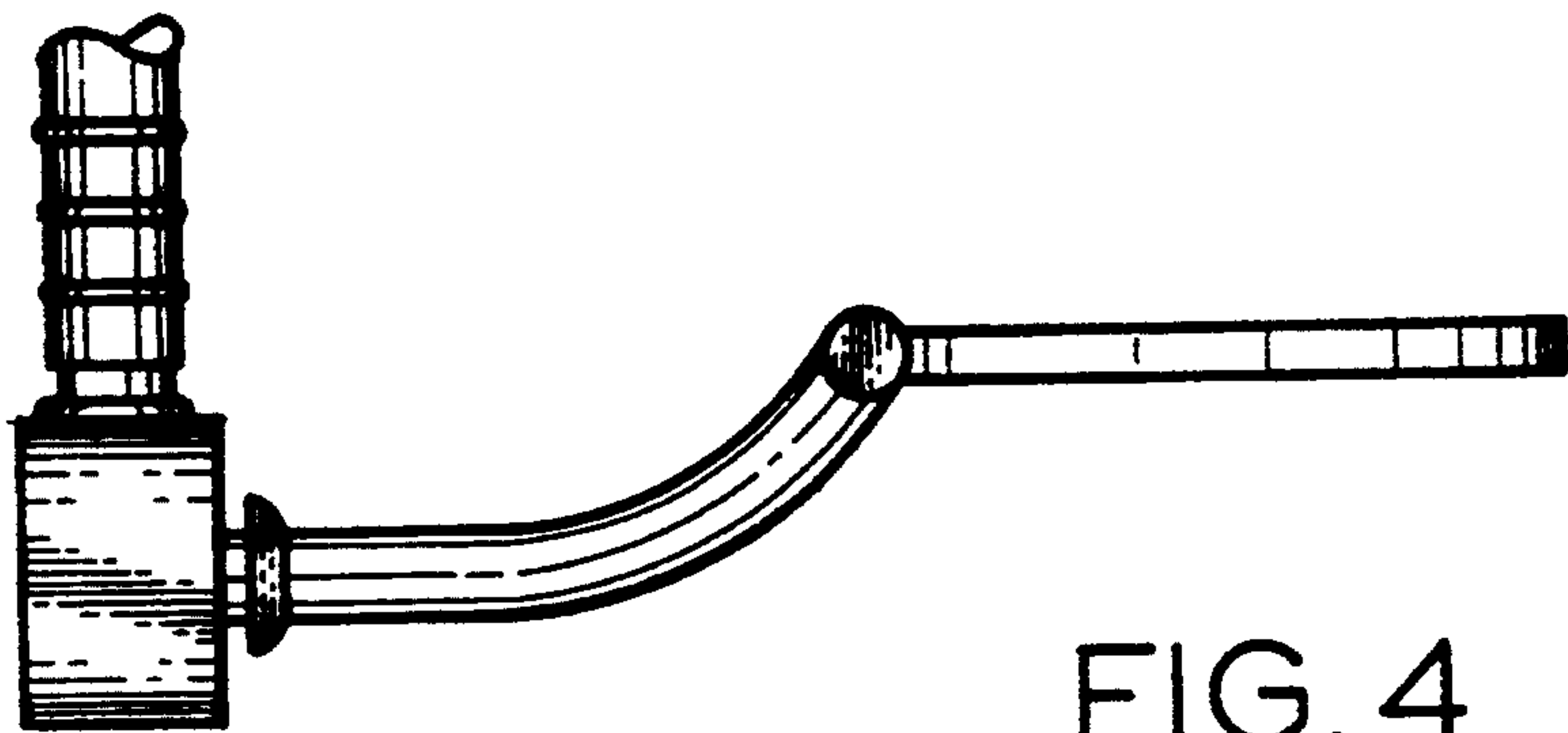


FIG. 4

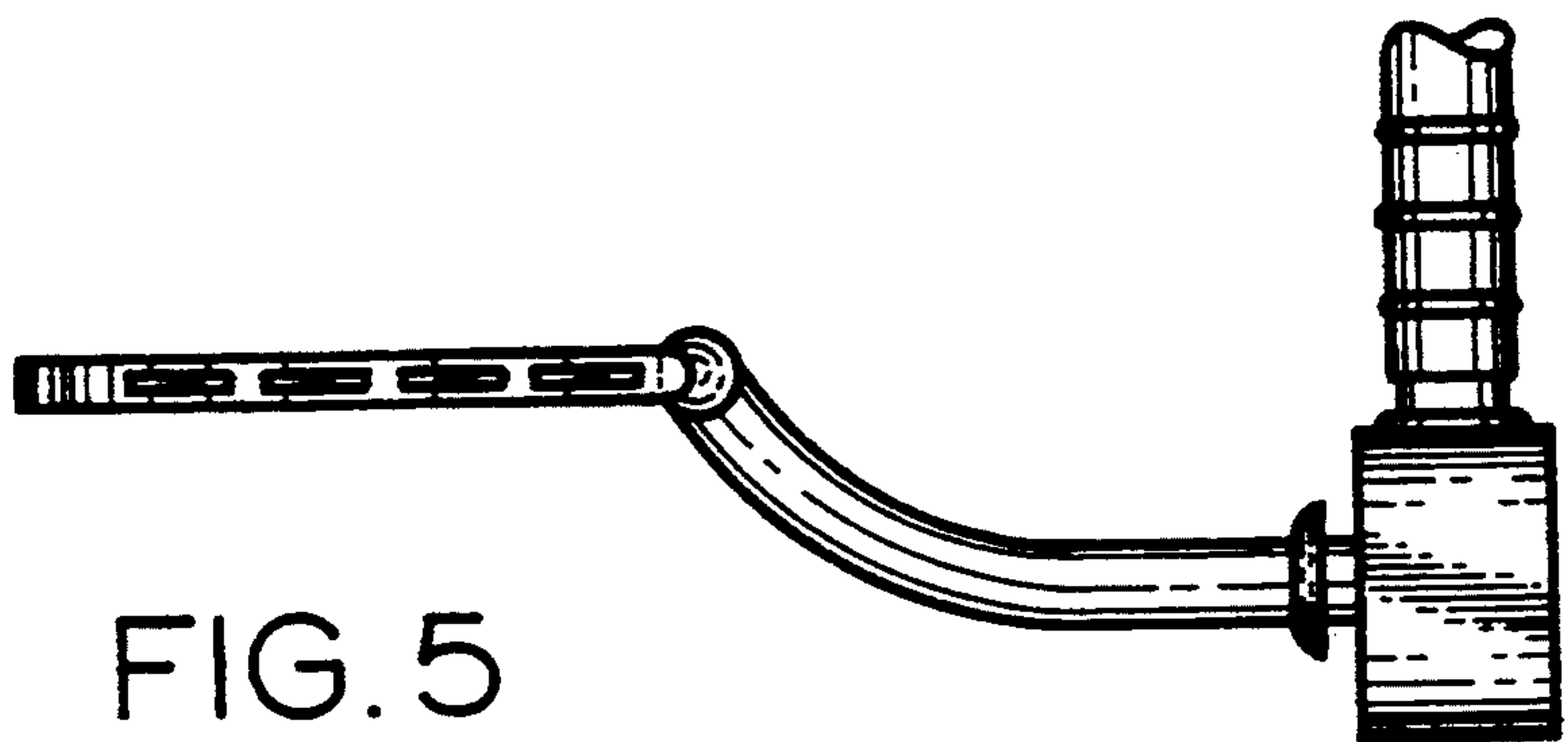


FIG. 5

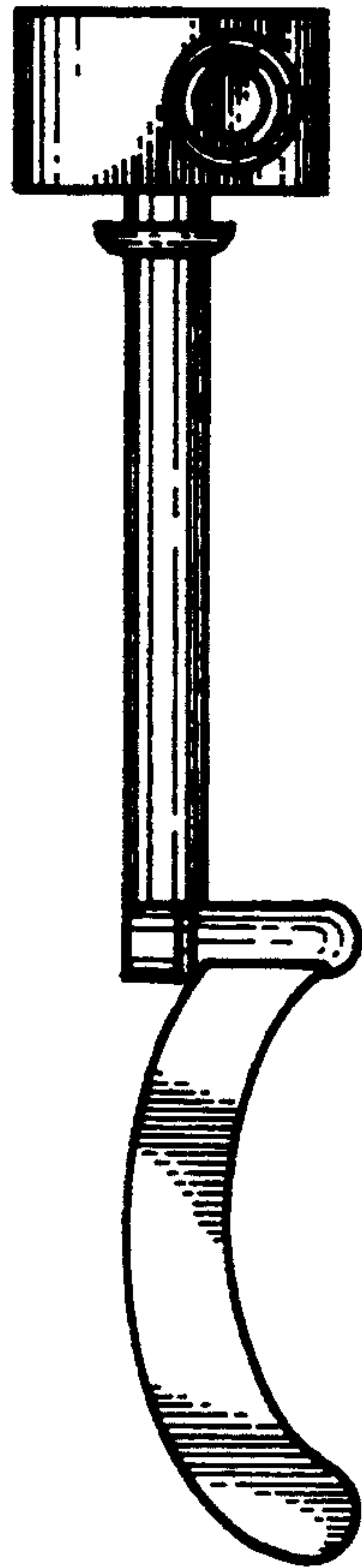


FIG. 6

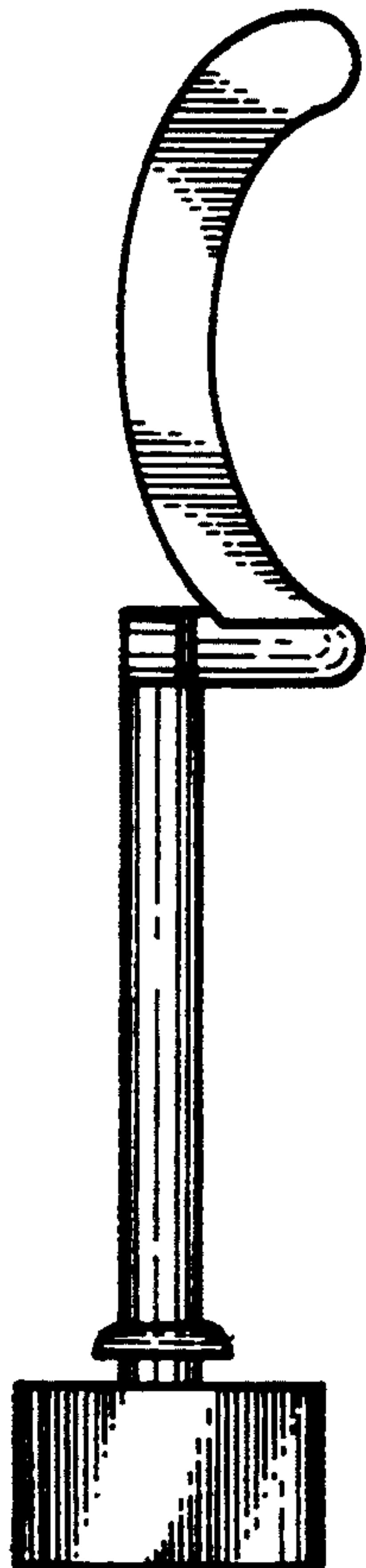


FIG. 7