



US00D355959S

# United States Patent [19] Kaiser

[11] Patent Number: **Des. 355,959**

[45] Date of Patent: **\*\* Feb. 28, 1995**

[54] **VENTILATED TOILET SEAT**

4,175,293 11/1979 Stephens et al. .... 4/209 R

[76] Inventor: **Harry Kaiser**, 12209 S. Graystone,  
Norwalk, Calif. 90650

*Primary Examiner*—A. Hugo Word  
*Attorney, Agent, or Firm*—Hugh E. Smith

[\*\*] Term: **14 Years**

[57] **CLAIM**

[21] Appl. No.: **7,298**

The ornamental design for a ventilated toilet seat, as shown and described.

[22] Filed: **Apr. 19, 1993**

[52] U.S. Cl. .... **D23/311**

### DESCRIPTION

[58] Field of Search ..... 323/309-311,  
323/303; 4/209 R, 215, 216, 234, 237, 238,  
242.1, 348, 351

FIG. 1 is a front elevational view of the ventilated toilet seat showing my new design;

FIG. 2 is a rear elevational view thereof;

FIG. 3 is a left side elevational view thereof;

FIG. 4 is a right side elevational view thereof;

FIG. 5 is a top plan view thereof;

FIG. 6 is a bottom plan view thereof; and,

FIG. 7 is a perspective view thereof.

### [56] References Cited

#### U.S. PATENT DOCUMENTS

D. 328,340 7/1992 Bolduc ..... D23/311  
D. 344,788 3/1994 Castro et al. .... D23/311

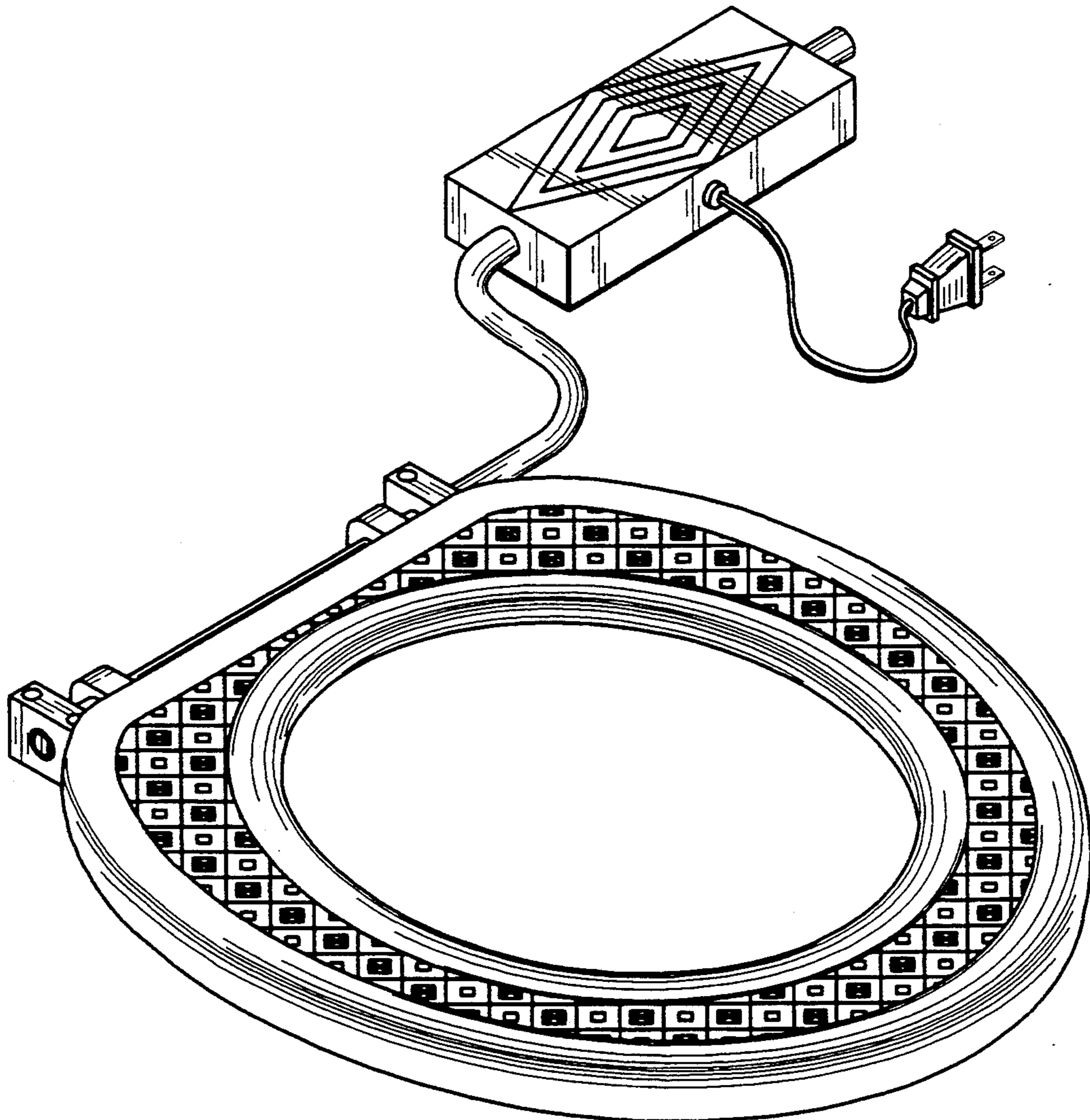


FIG. 1

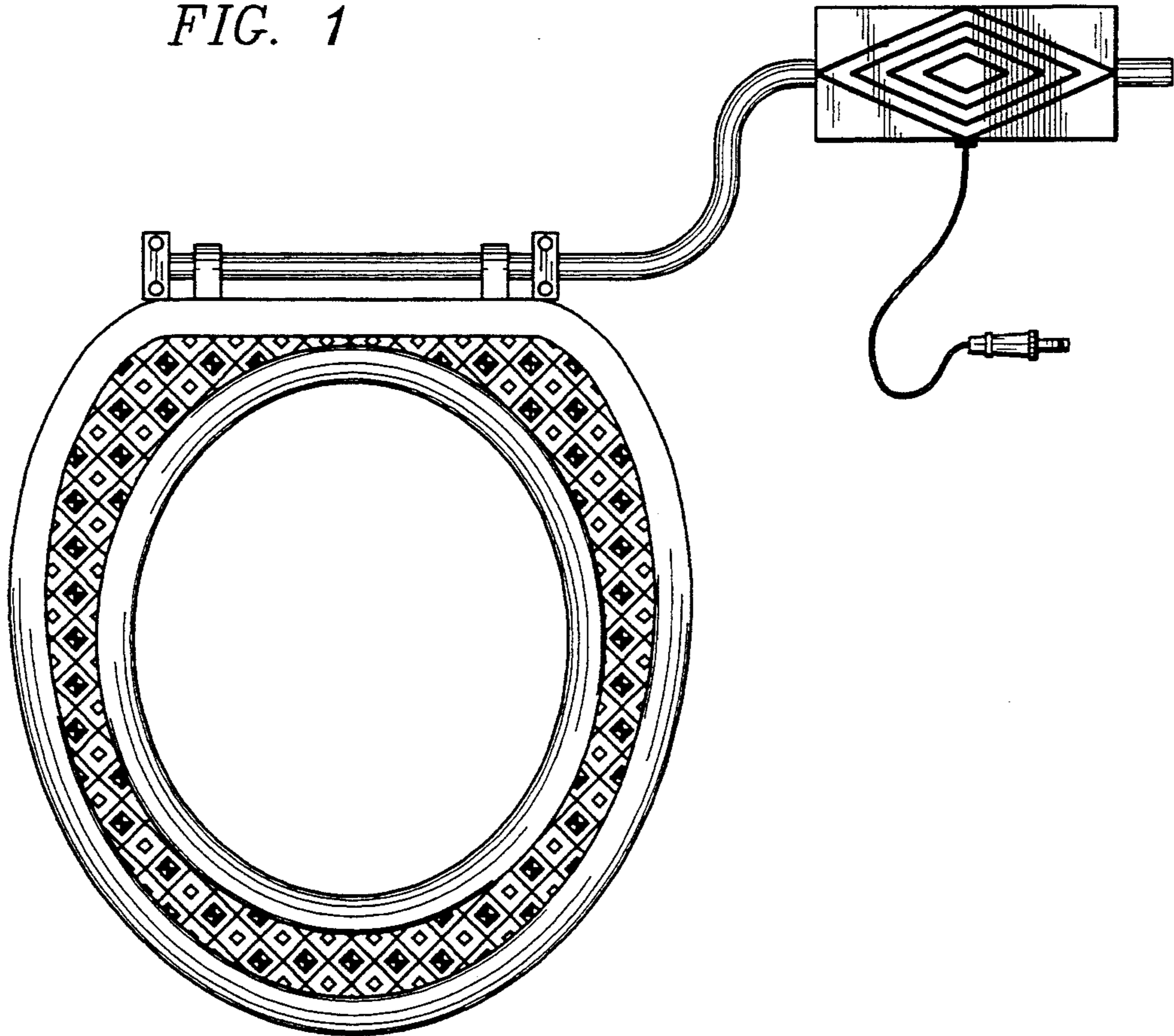


FIG. 2

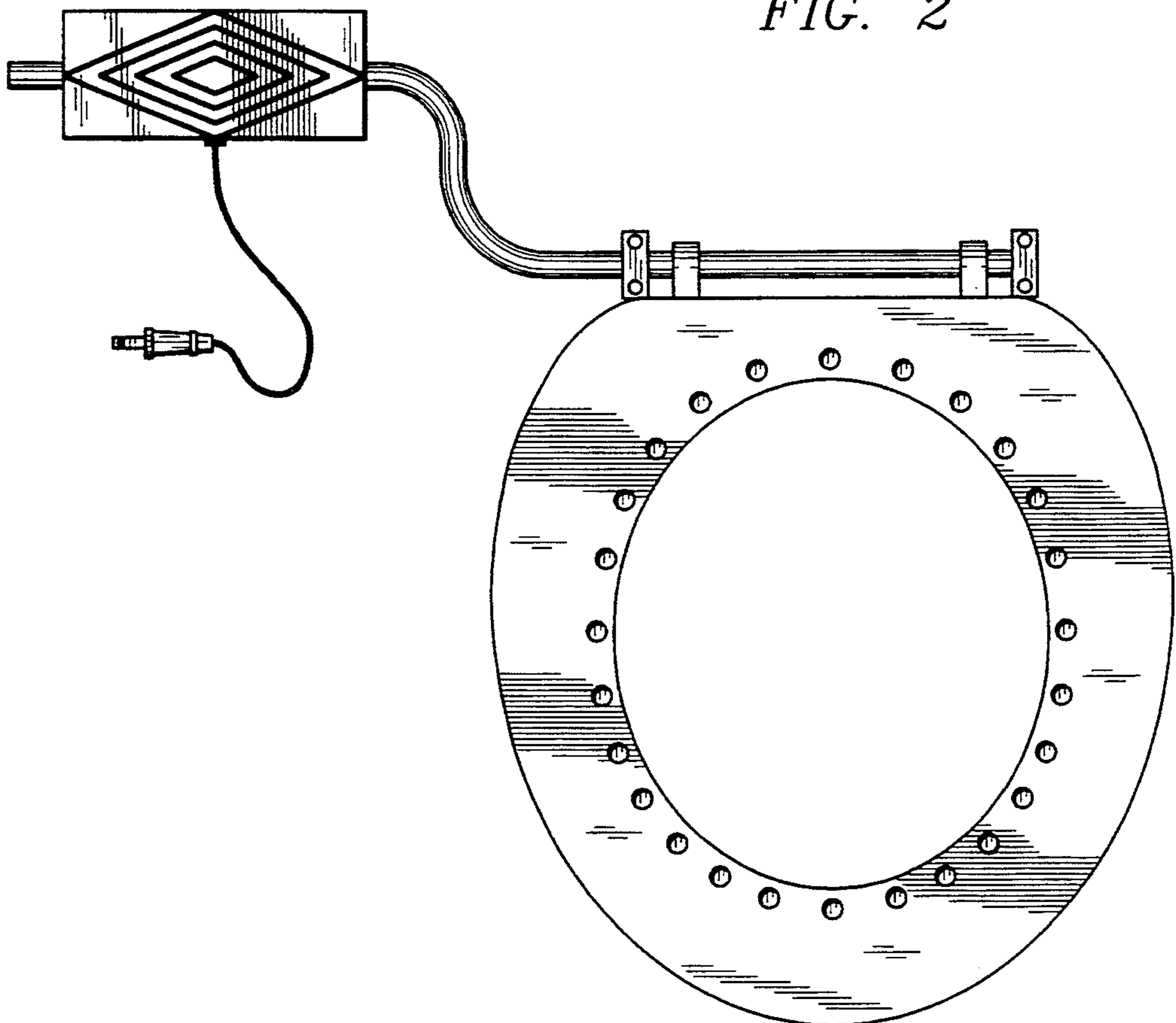


FIG. 3

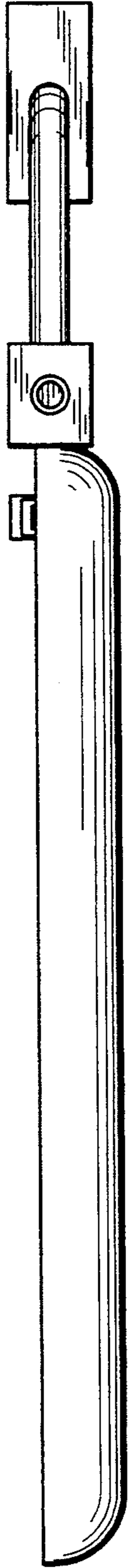


FIG. 4

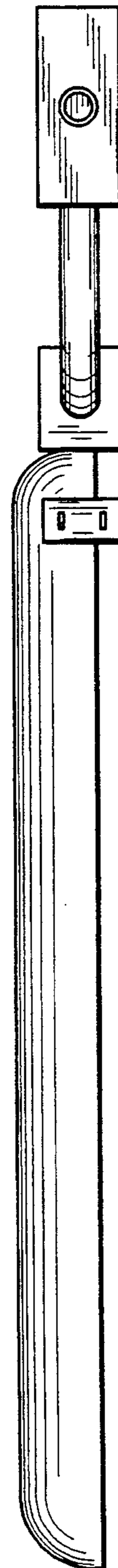


FIG. 5



FIG. 6



FIG. 7

