



US00D355957S

United States Patent [19]

[11] Patent Number: **Des. 355,957**

Flater

[45] Date of Patent: **** Feb. 28, 1995**

[54] **SEALING CAP**

1,971,978 7/1934 Fronteras et al. 220/263

[75] Inventor: **Anders H. Flater**, Highland Park, Ill.

Primary Examiner—A. Hugo Word
Assistant Examiner—Eric Watterson

[73] Assignee: **Trans-Mex Corporation**, Highland Park, Ill.

[57] **CLAIM**

[**] Term: **14 Years**

The ornamental design of a sealing cap, as shown and described.

[21] Appl. No.: **5,430**

DESCRIPTION

[22] Filed: **Mar. 4, 1993**

[52] U.S. Cl. **D23/260**

[58] Field of Search D23/260, 206; D12/197;
D9/439; 220/259, 260, 263, 269, 270, 338;
222/153, 528, 531

FIG. 1 is a perspective view taken from the top, front and right side of my sealing cap showing the design in an open position;

FIG. 2 is a bottom plan view of my sealing cap in a closed position;

FIG. 3 is a front elevation view thereof;

FIG. 4 is a rear elevation view thereof;

FIG. 5 is a top plan view thereof;

FIG. 6 is a side elevational view thereof, the opposite side being a mirror thereof; and,

FIG. 7 is a side elevational view, partially cutaway, in an open position.

[56] References Cited

U.S. PATENT DOCUMENTS

D. 134,471	12/1942	Grice	D23/206
229,260	6/1880	Latsbaugh	220/263
D. 265,848	8/1982	Johansson	D23/260
1,736,971	11/1929	Harris	220/263

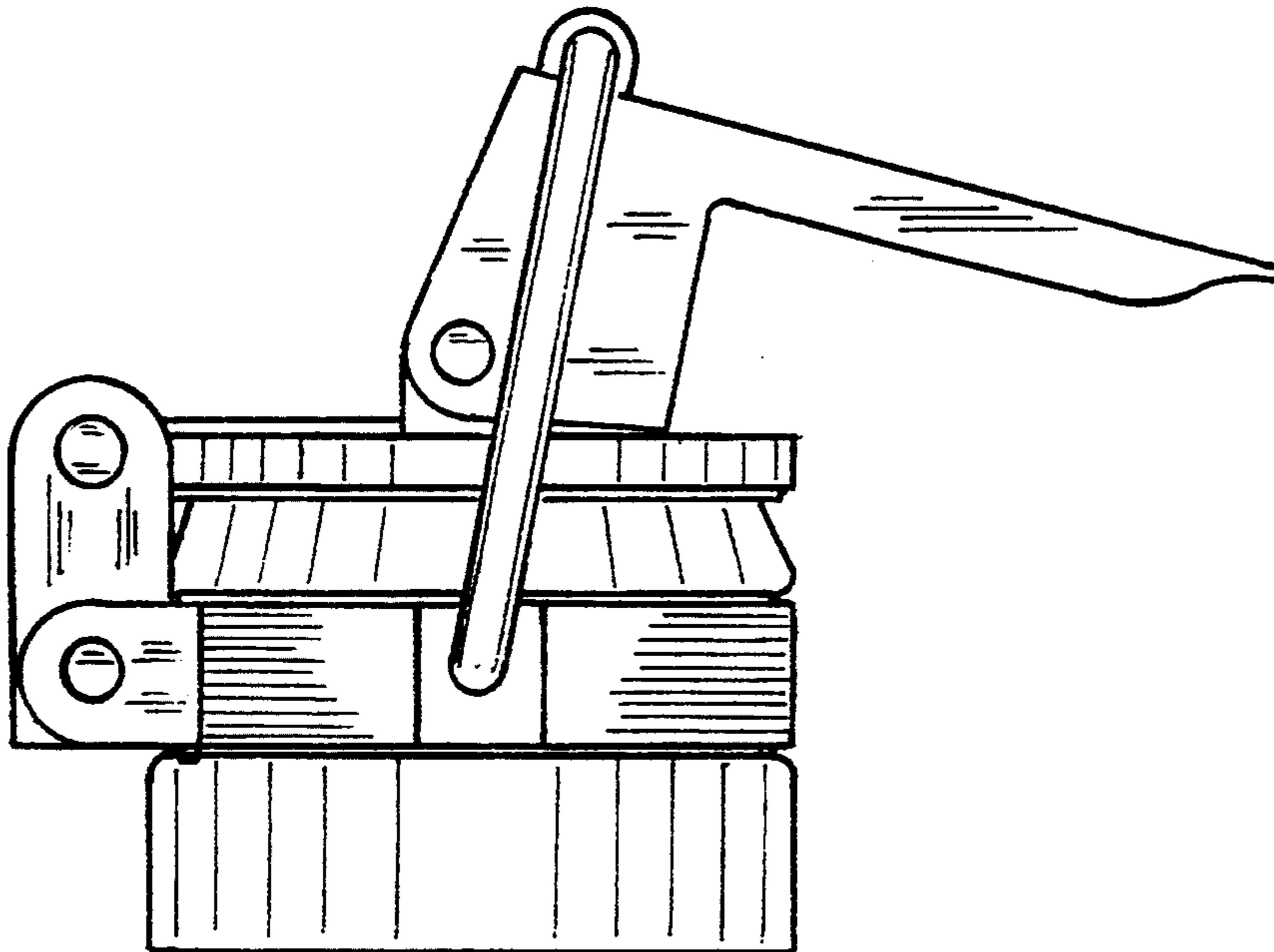


FIG. 1

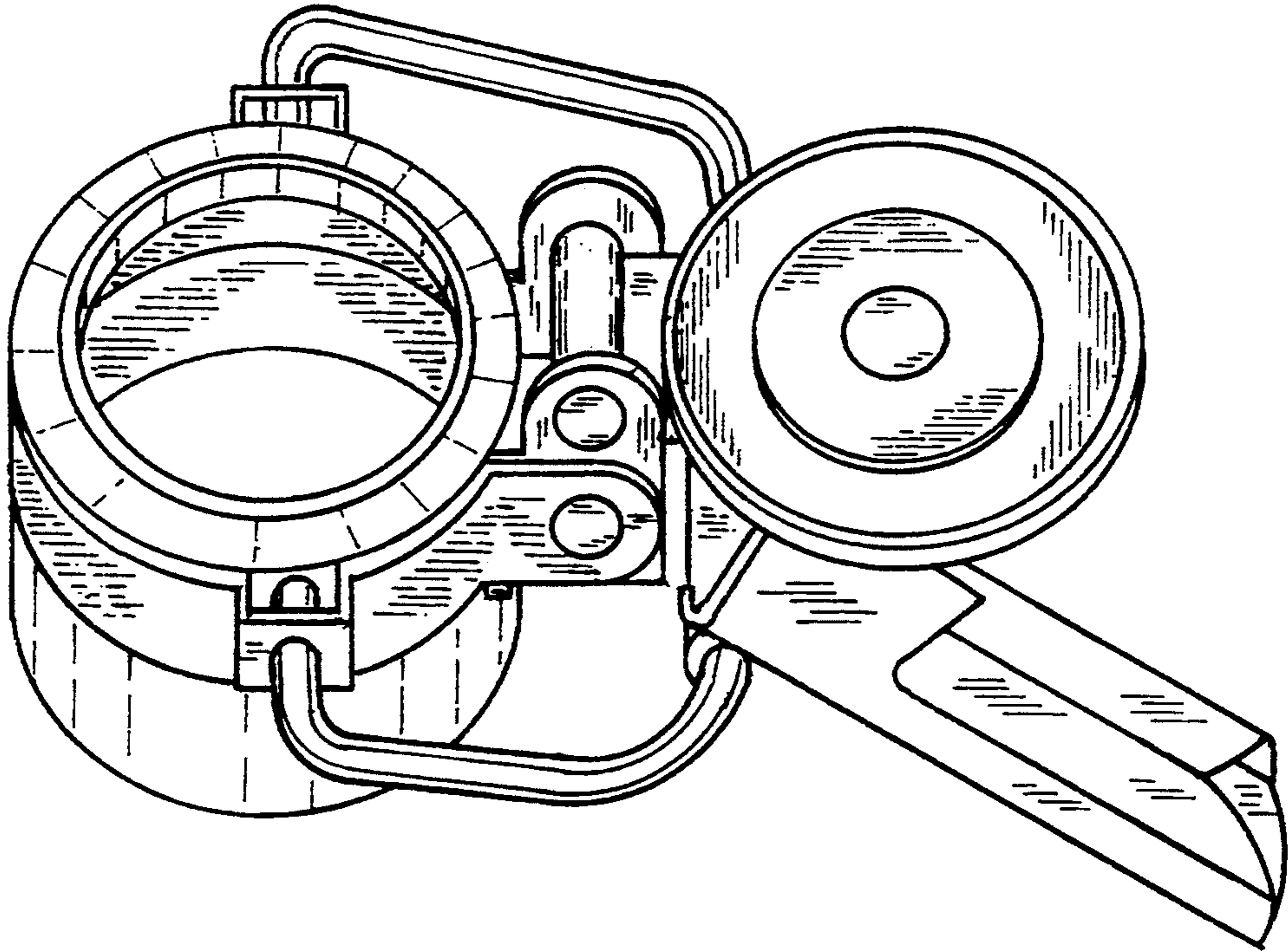


FIG. 2

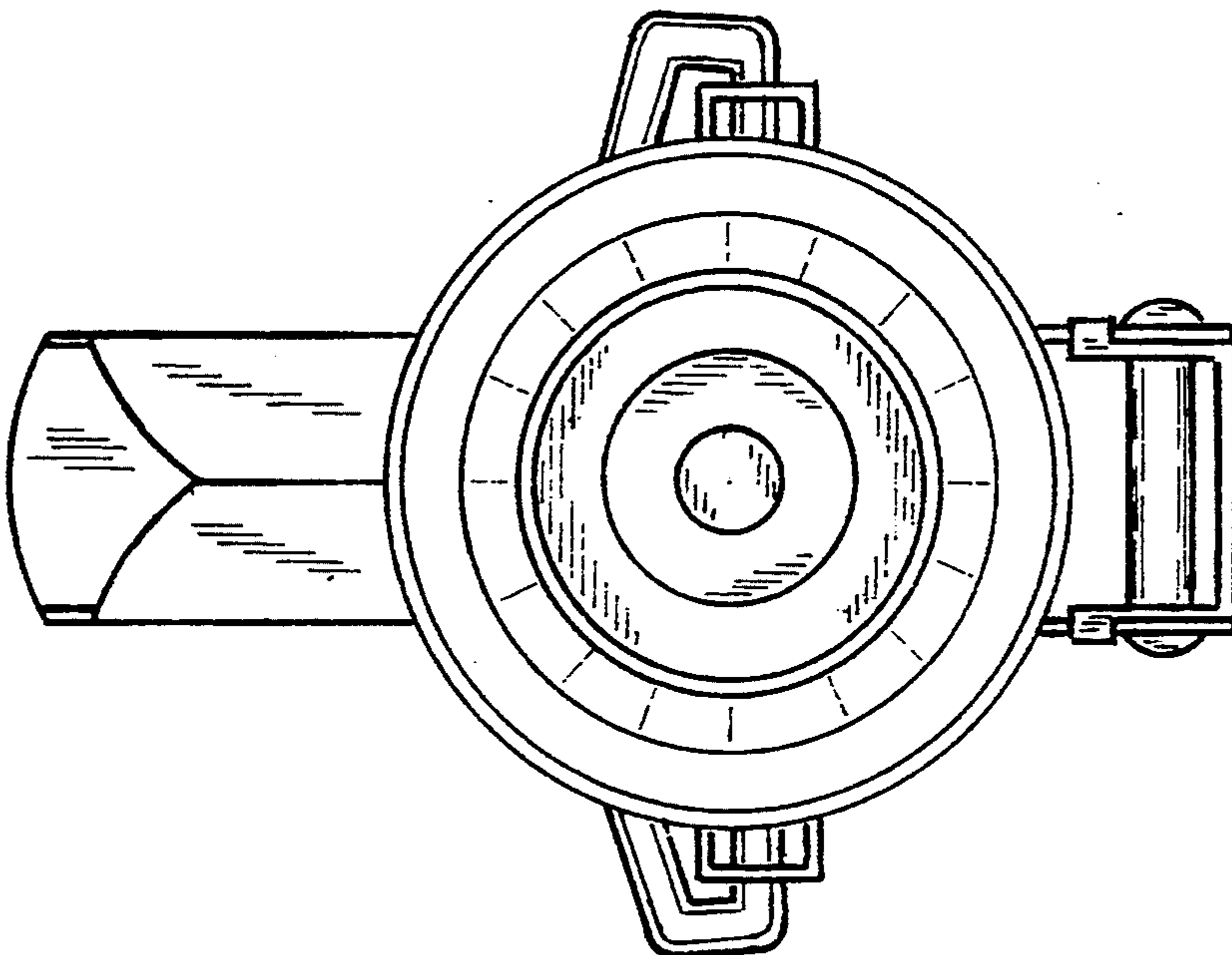


FIG. 3

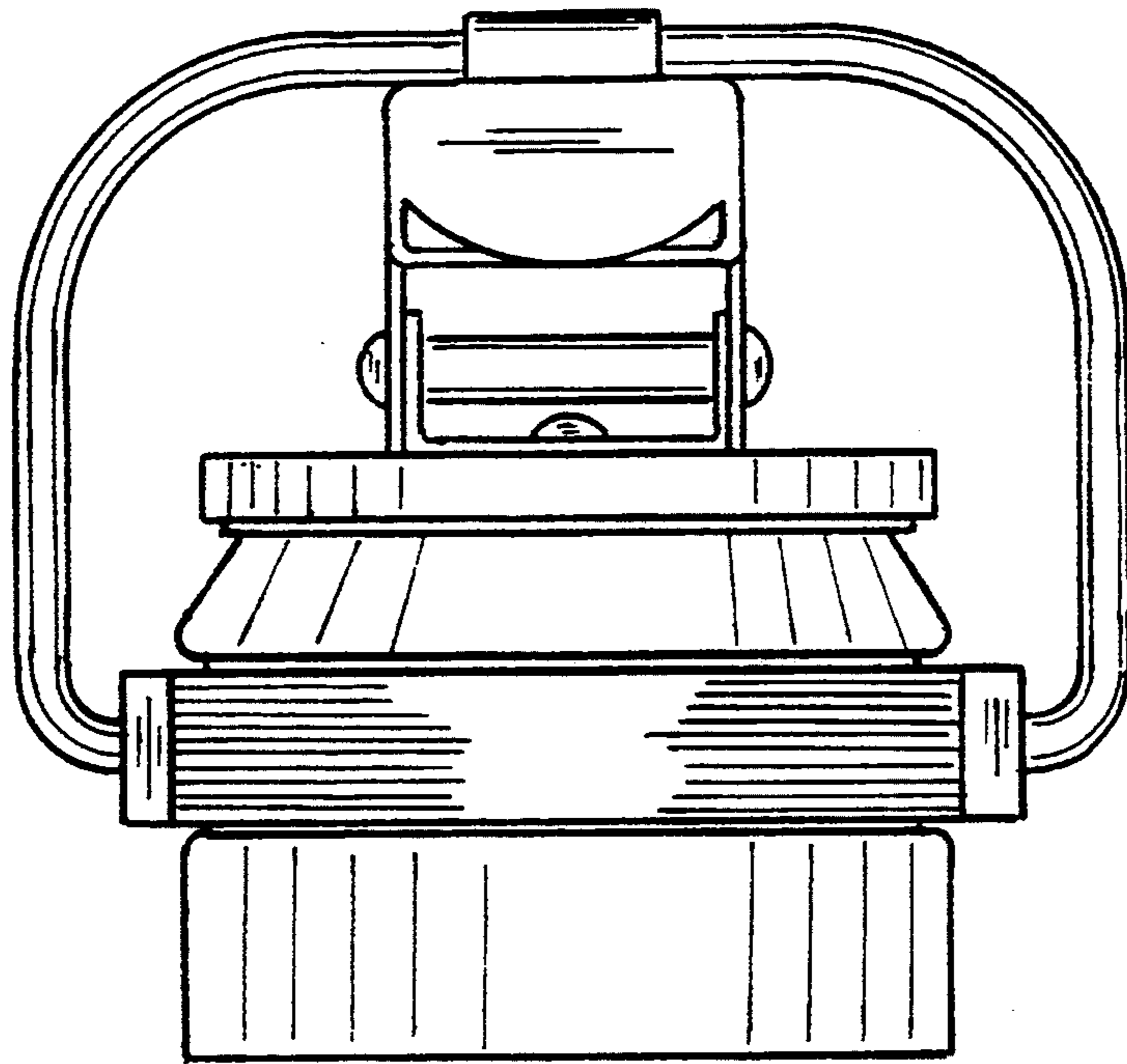


FIG. 4

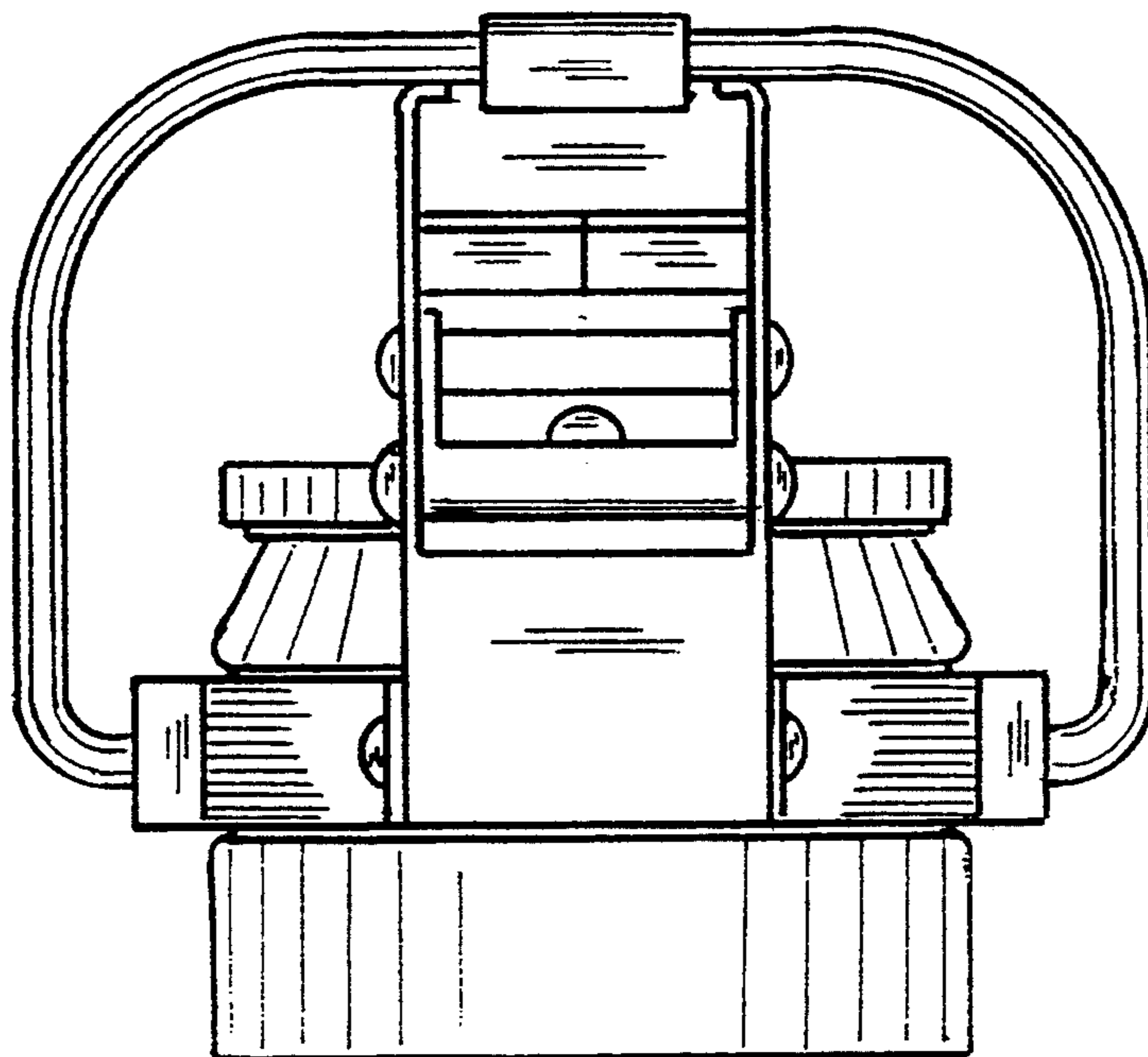


FIG. 5

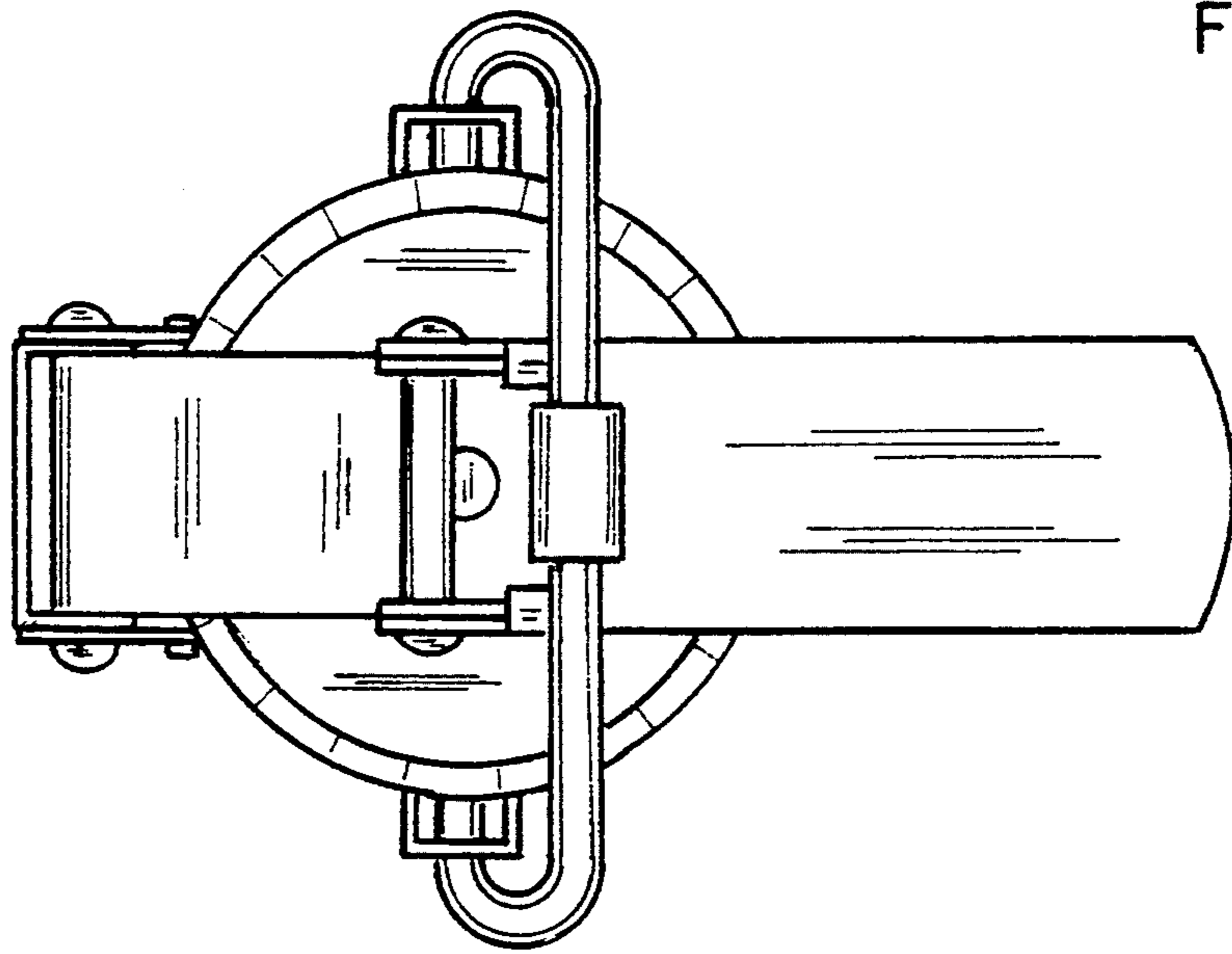


FIG. 6

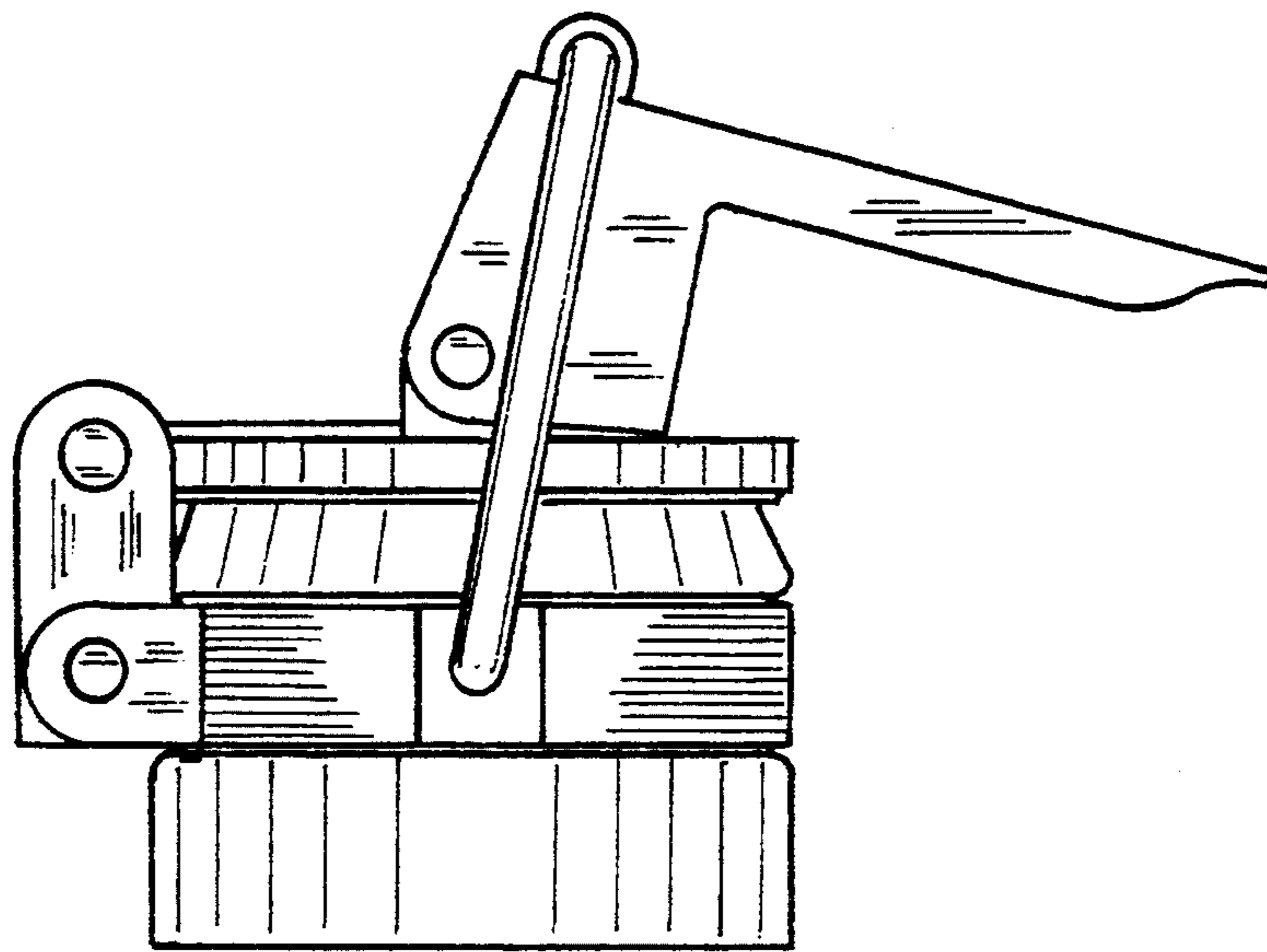


FIG. 7

