



US00D355955S

# United States Patent [19] Chretien

[11] Patent Number: **Des. 355,955**

[45] Date of Patent: **\*\* Feb. 28, 1995**

[54] FAUCET

[75] Inventor: **Philippe Chretien, Dietlikon, Switzerland**

[73] Assignee: **KWC AG, Unterkulm, Switzerland**

[\*\*] Term: **14 Years**

[21] Appl. No.: **8,805**

[22] Filed: **May 27, 1993**

[30] **Foreign Application Priority Data**

Dec. 2, 1992 [WO] WIPO ..... DM/024 579

[52] U.S. Cl. .... **D23/238**

[58] Field of Search ..... D23/238-243;  
4/675-678; 137/625.17, 801; 251/309

[56] **References Cited**

**U.S. PATENT DOCUMENTS**

- D. 291,235 8/1987 Bergmann et al. .... D23/238
- D. 301,162 5/1989 Oberdorfer ..... D23/238
- D. 309,655 7/1990 Reinecke ..... D23/238

- D. 321,038 10/1991 Delepine ..... D23/238
- D. 324,095 2/1992 Grohe ..... D23/238
- D. 324,723 3/1992 Chretien ..... D23/238
- D. 324,905 3/1992 Chretien ..... D23/238
- 3,920,043 11/1975 Fowell ..... 137/625.17 X
- 4,103,709 8/1978 Fischer ..... 137/625.17 X
- 4,513,781 4/1985 Nikolayczik ..... 137/625.17 X
- 4,522,231 6/1985 Bergmann ..... 137/625.17

*Primary Examiner*—James R. Largen  
*Attorney, Agent, or Firm*—Oblon, Spivak, McClelland, Maier & Neustadt

[57] **CLAIM**

The ornamental design for faucet, as shown and described.

**DESCRIPTION**

FIG. 1 is a perspective view taken from the front and right side of a faucet showing my new design; FIG. 2 is a front elevational view thereof; FIG. 3 is a right side elevational view thereof; FIG. 4 is a left side elevational view thereof; and, FIG. 5 is a top plan view thereof.

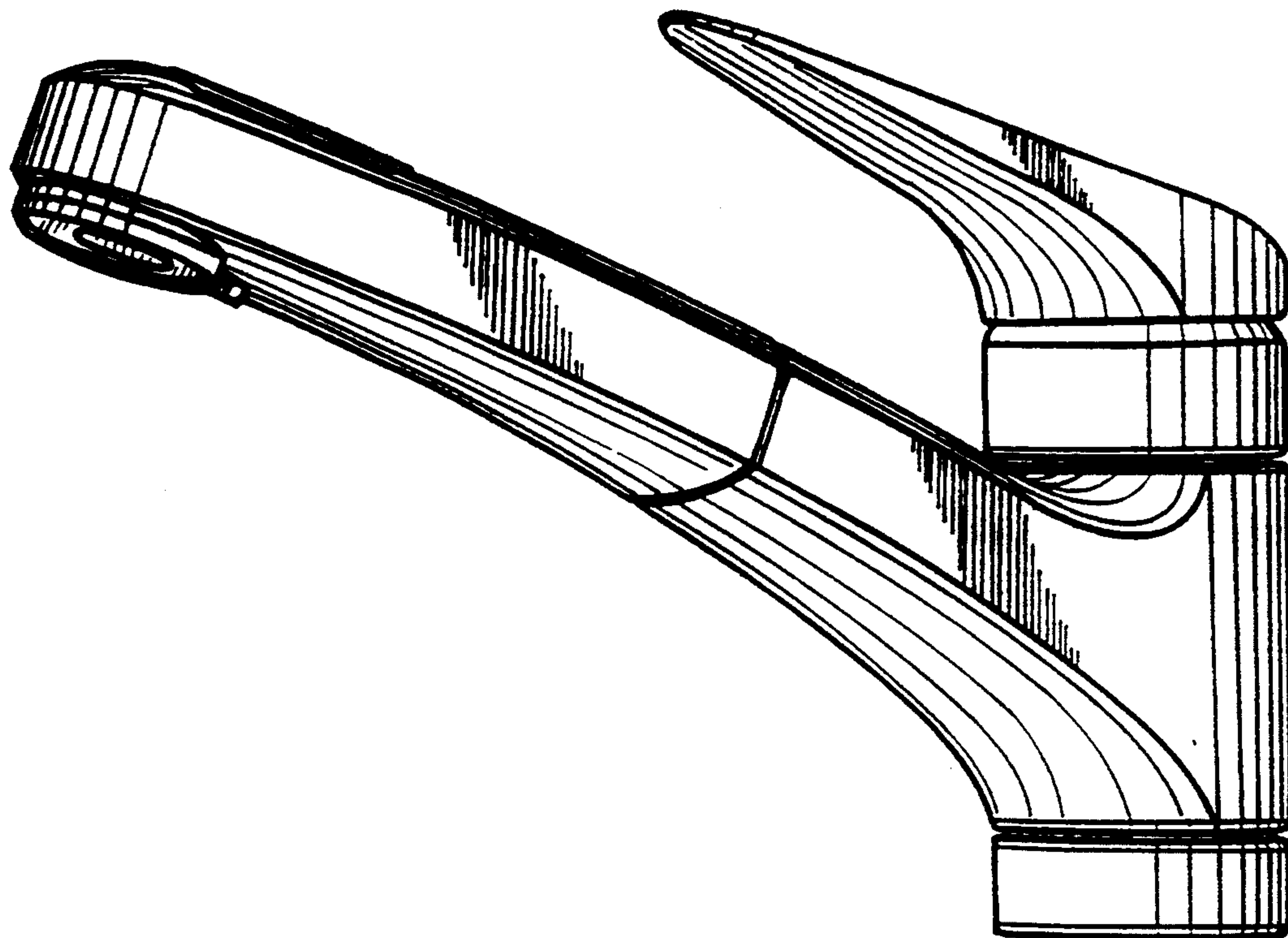


FIG. 1

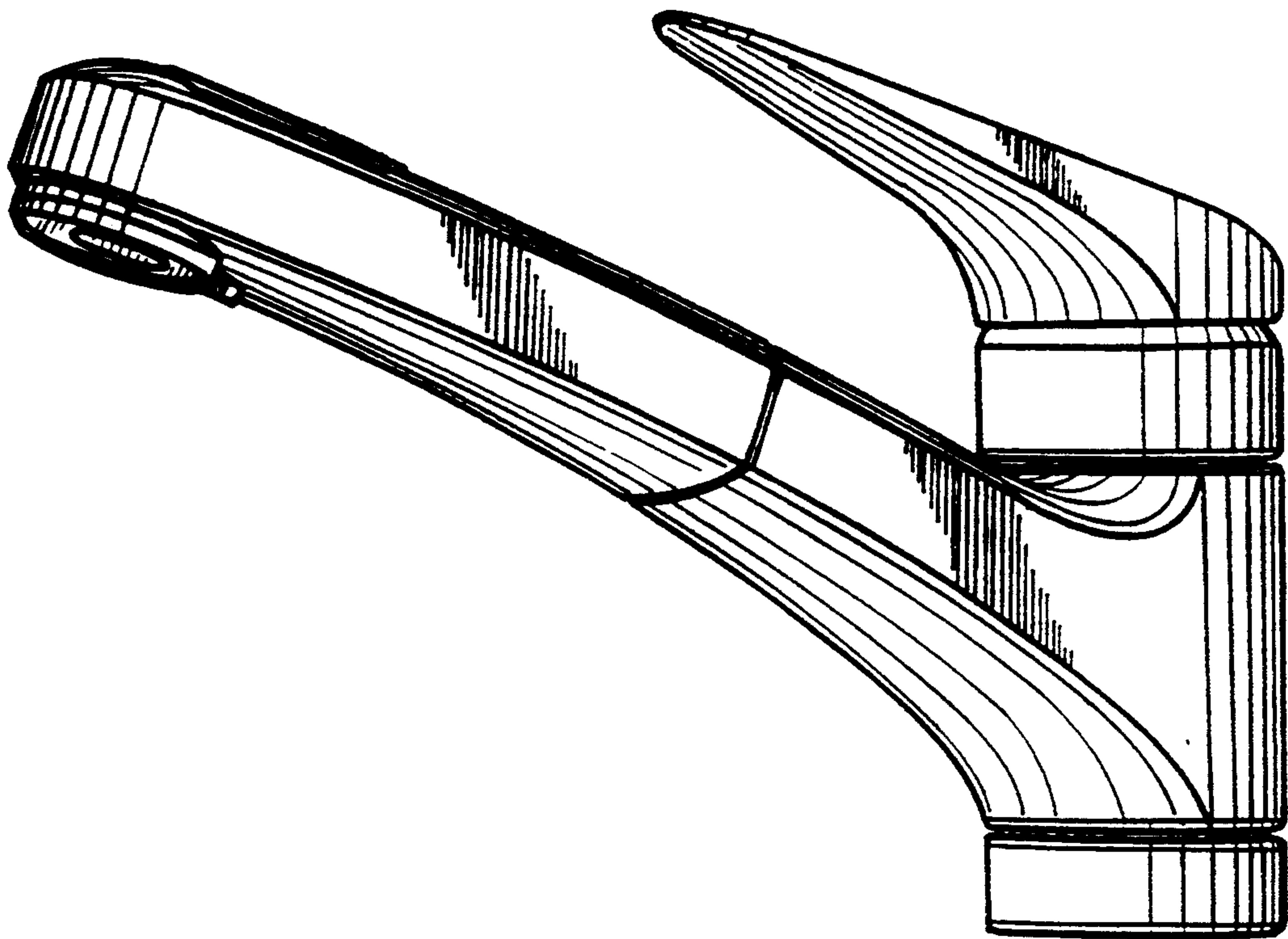


FIG. 2

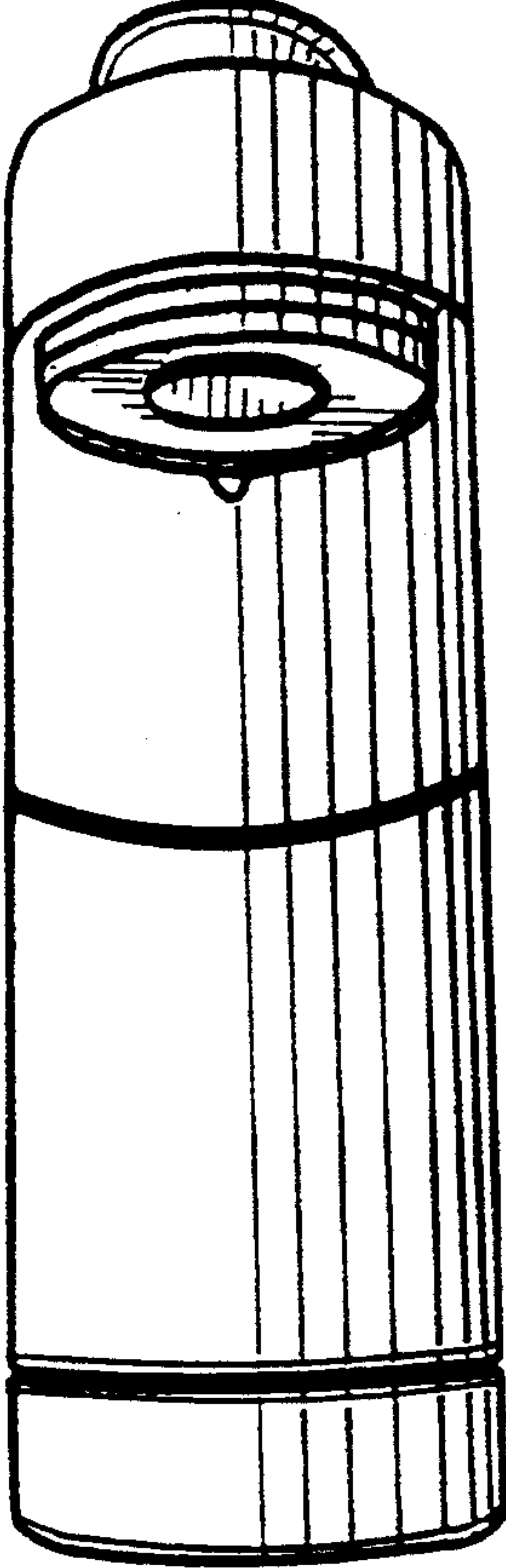


FIG. 3

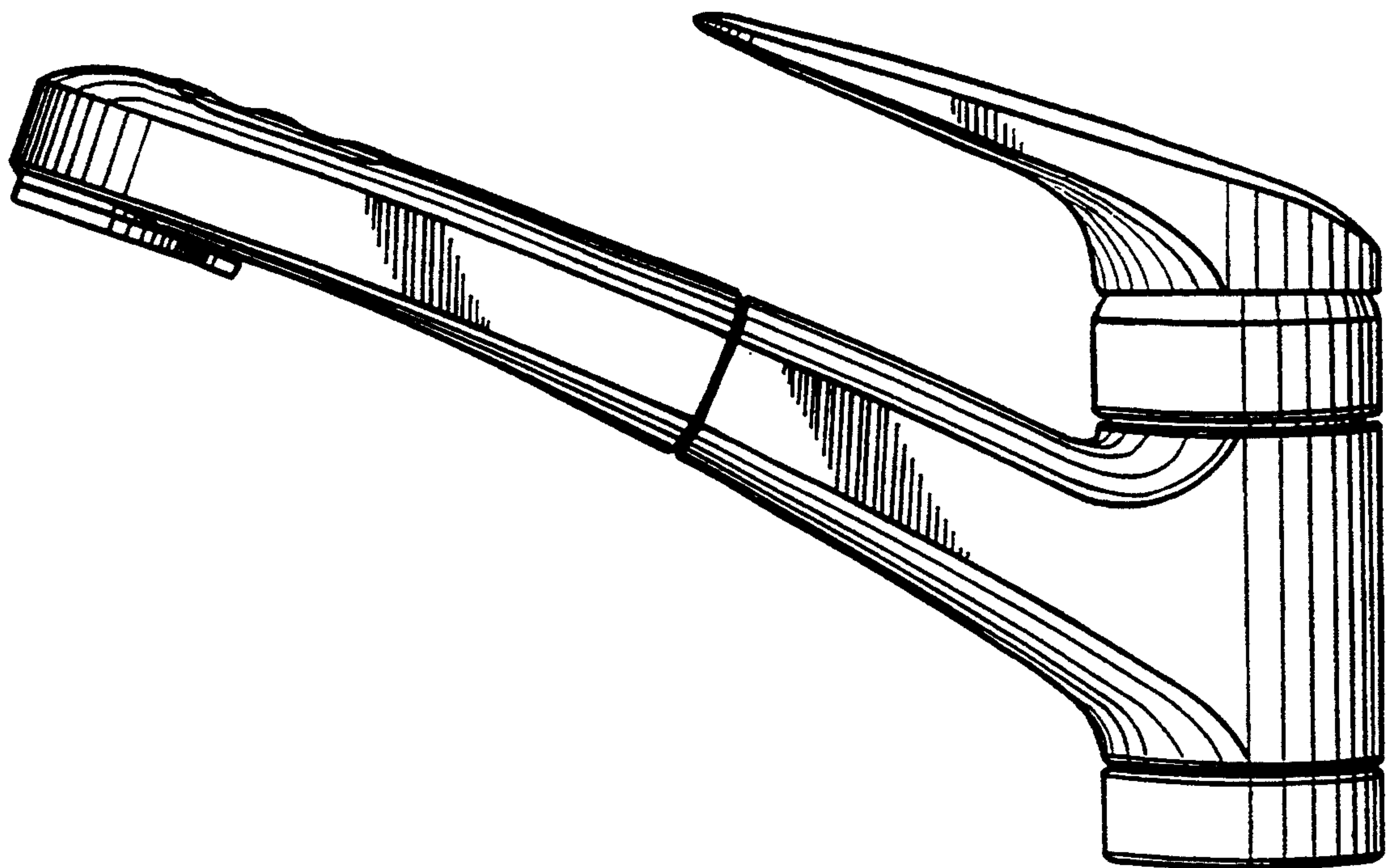
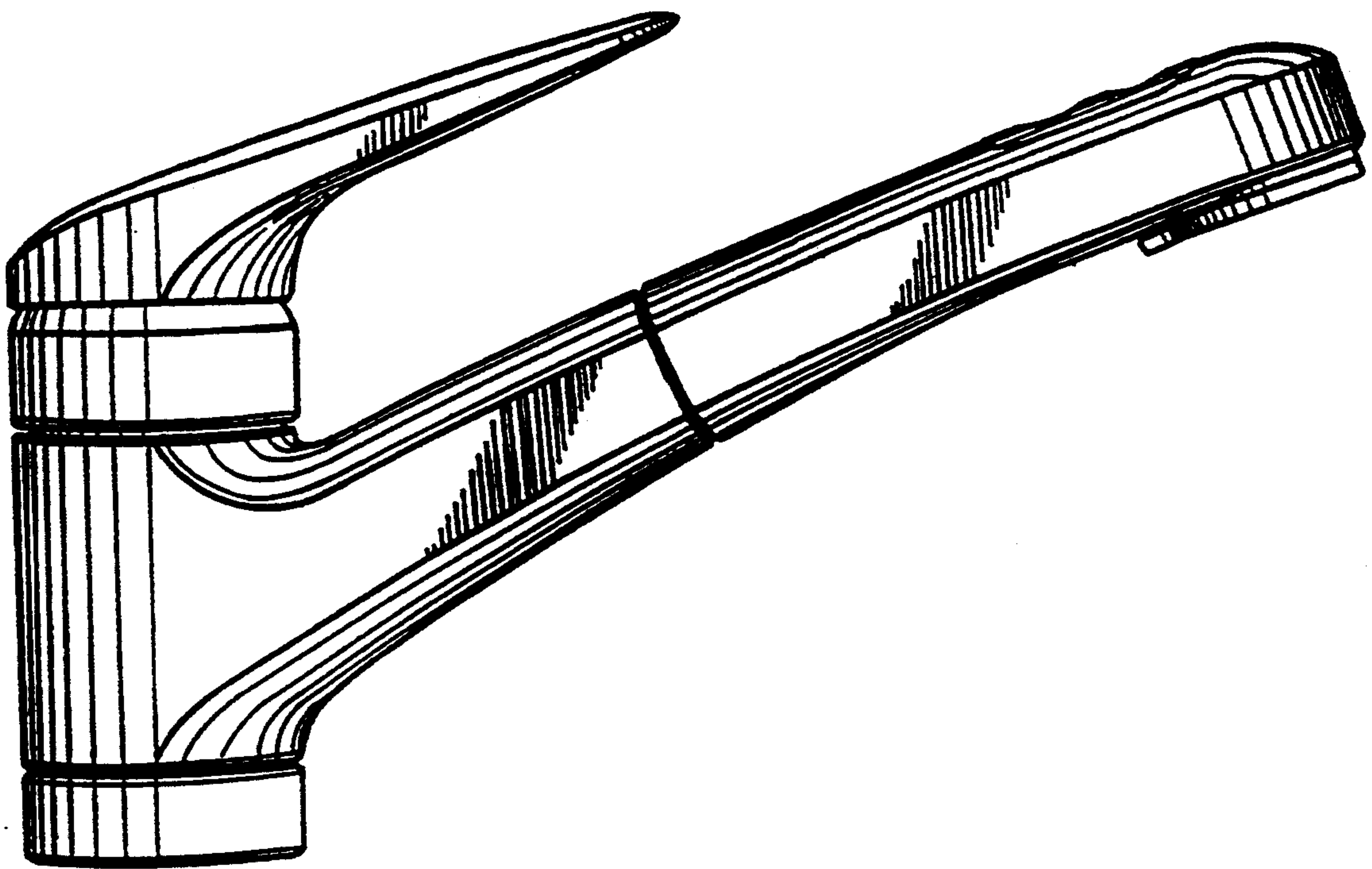


FIG. 4





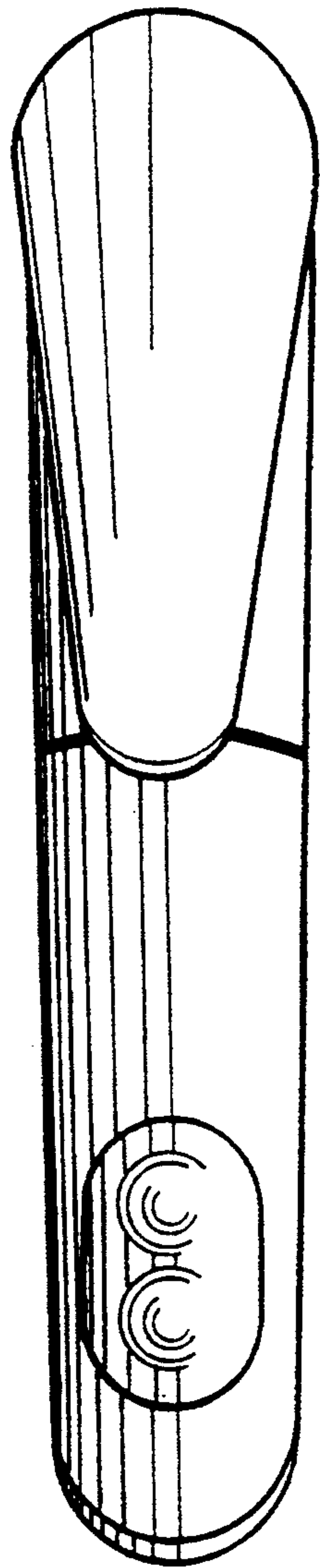


FIG. 5