



US00D355954S

**United States Patent** [19]  
**Powell**

[11] **Patent Number: Des. 355,954**

[45] **Date of Patent: \*\* Feb. 28, 1995**

[54] **TRANSPARENT CHLORINE GAS  
REGULATOR**

[56] **References Cited**

**U.S. PATENT DOCUMENTS**

D. 283,831	5/1986	Maddock	.....	D23/245
D. 291,826	9/1987	Maddock	.....	D23/245
3,038,495	6/1962	Fortin	.....	137/559
4,787,416	11/1988	Chuang	.....	137/460 X

[76] **Inventor: Jonathan S. Powell, 5094 Tip Top Rd., Mariposa, Calif. 95338**

*Primary Examiner*—A. Hugo Word  
*Assistant Examiner*—Eric Watterson  
*Attorney, Agent, or Firm*—Lewis E. Massie

[\*\*] **Term: 14 Years**

[57] **CLAIM**

[21] **Appl. No.: 17,470**

The ornamental design for a transparent chlorine gas regulator, as shown and described.

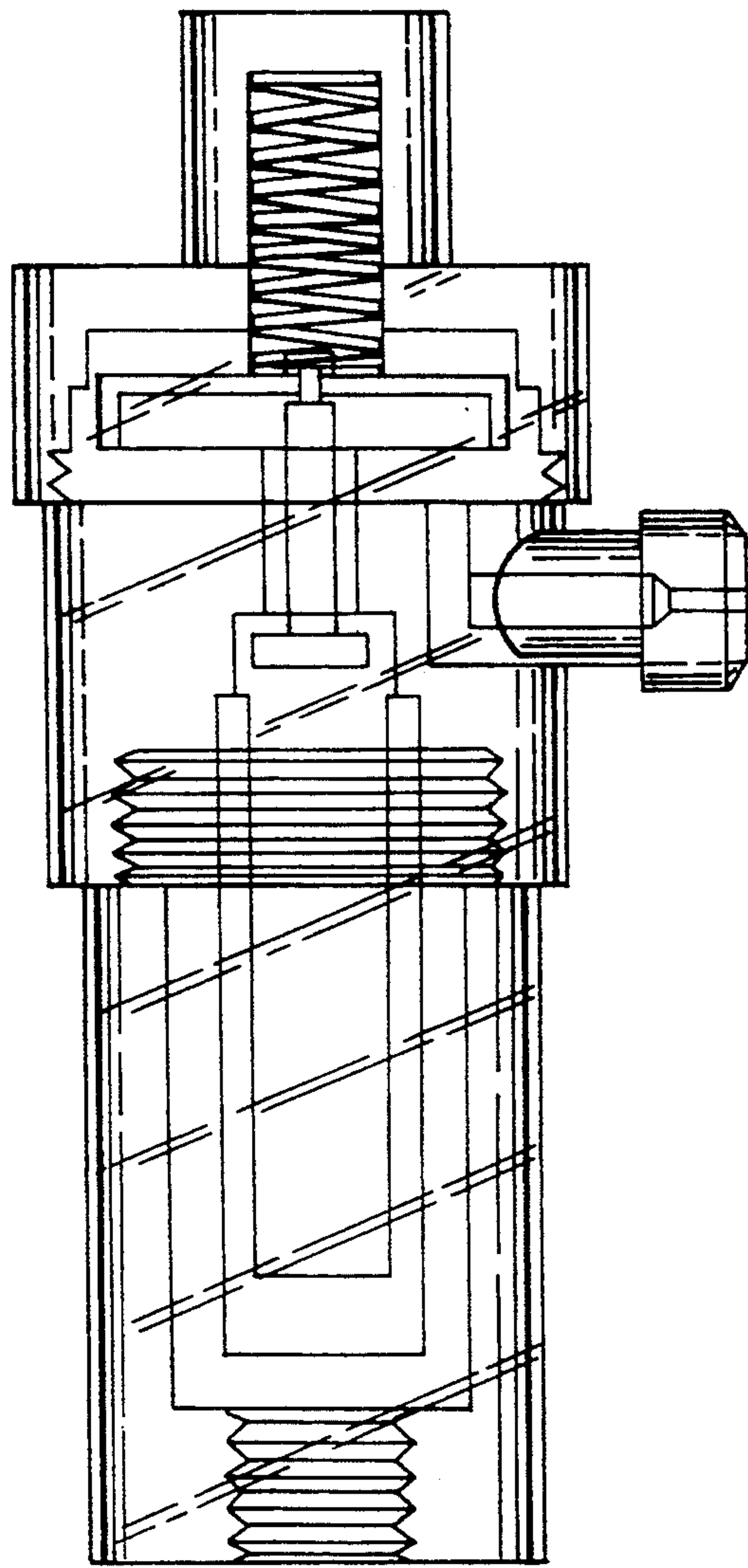
**DESCRIPTION**

[22] **Filed: Jan. 14, 1994**

[52] **U.S. Cl. .... D23/235**

[58] **Field of Search .... D23/235-237,  
D23/244-249; 137/460, 505.42, 505.46, 519.5,  
607; 251/229, 230, 505.39, 559**

FIG. 1 is a front view elevation of my new design for a transparent chlorine gas regulator, the back view being a mirror image thereof;  
FIG. 2 is a top plan view thereof; and,  
FIG. 3 is a bottom view thereof.



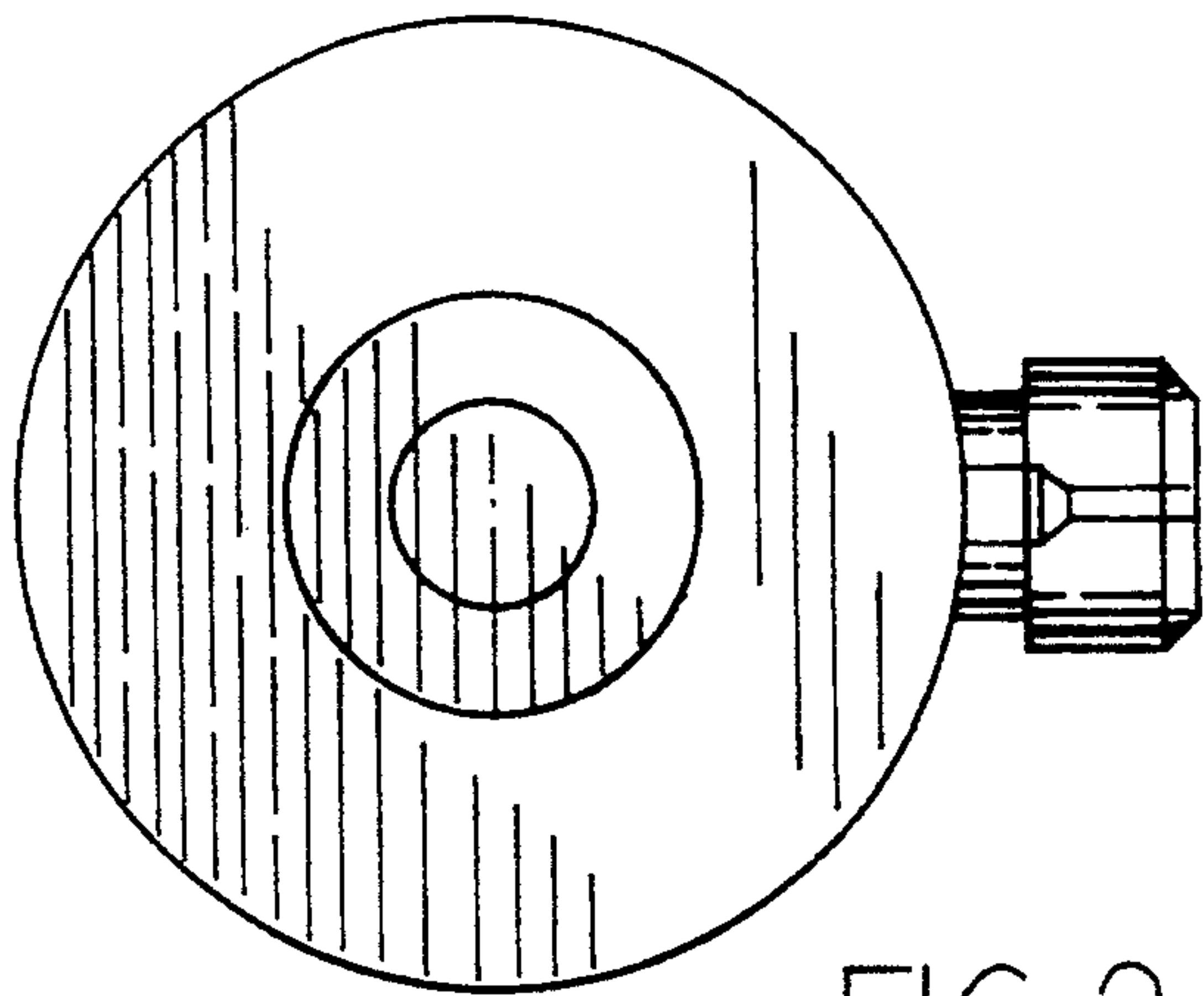


FIG. 2

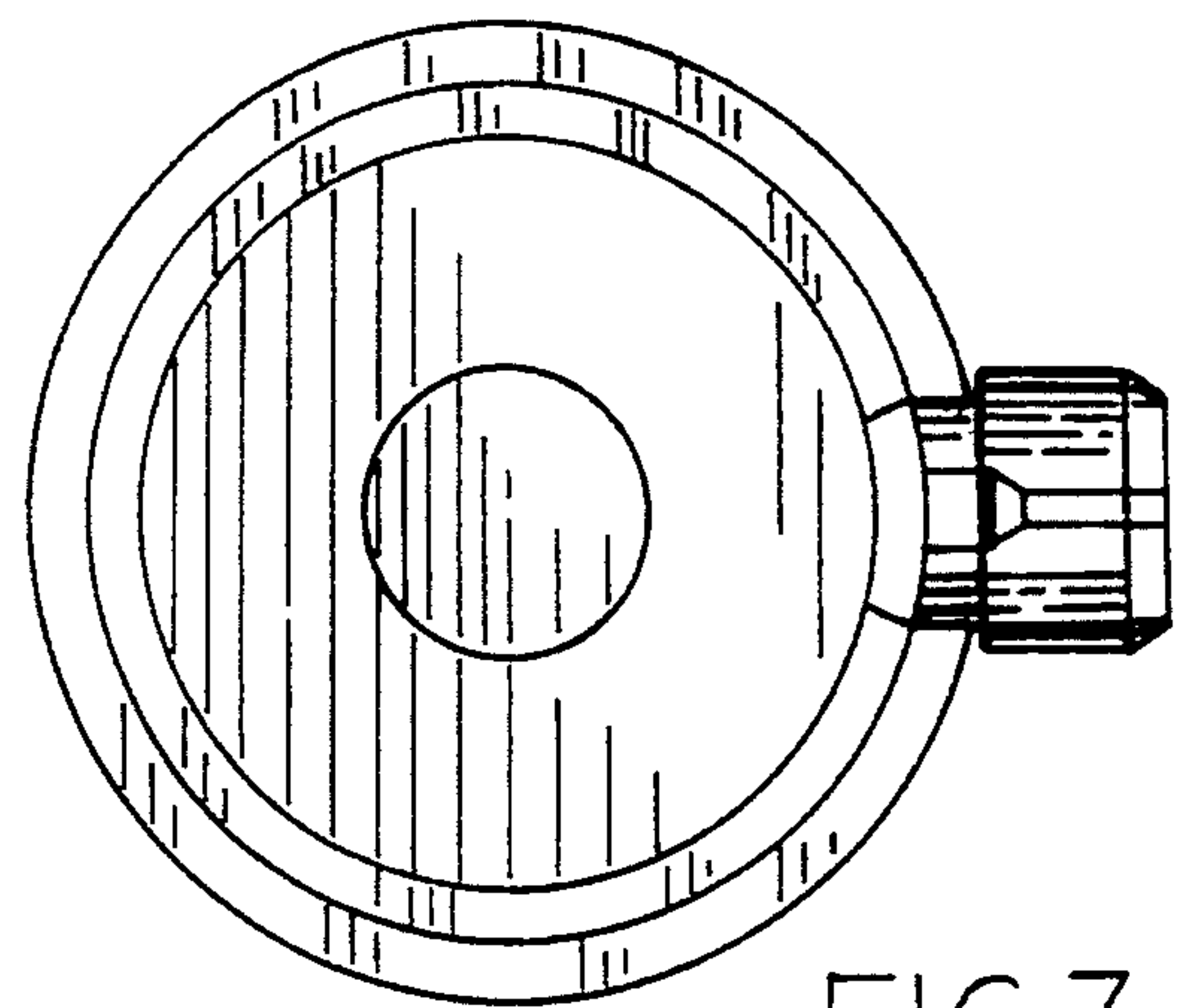


FIG. 3

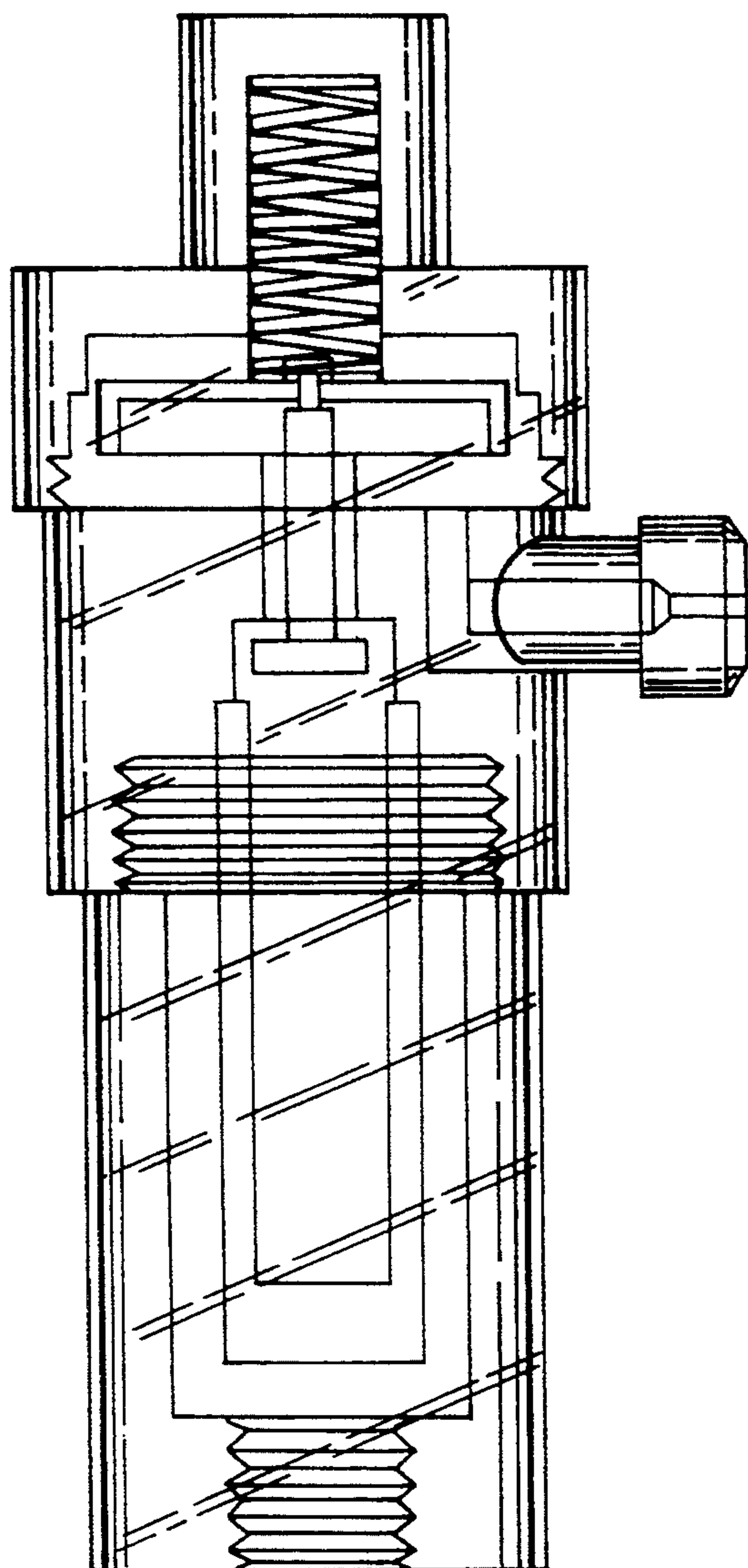


FIG. 1