



US00D355950S

# United States Patent [19]

[11] Patent Number: **Des. 355,950**

**Kawamura et al.**

[45] Date of Patent: **\*\* Feb. 28, 1995**

[54] **BASIN**  
[75] Inventors: **Sejiro Kawamura; Noriko Yoshii,**  
both of Fukuoka, Japan

D. 240,825 8/1976 Gruber ..... D23/294  
D. 272,464 1/1984 Stairs, Jr. .  
D. 295,071 4/1988 Kohler, Jr. .... D23/294  
3,060,454 10/1962 Ament ..... 4/637 X

[73] Assignee: **Toto Ltd., Kitakyushu, Japan**

### FOREIGN PATENT DOCUMENTS

[\*\*] Term: **14 Years**

56-754 2/1981 Japan .

[21] Appl. No.: **862,236**

*Primary Examiner*—James R. Largen

[22] Filed: **Mar. 31, 1992**

### [57] CLAIM

### [30] Foreign Application Priority Data

The ornamental design for a basin, as shown and described.

Oct. 4, 1991 [JP] Japan ..... 30016

[52] U.S. Cl. .... **D23/293.1**

### DESCRIPTION

[58] Field of Search ..... D23/284-294;  
4/619, 631-636, 650, 651

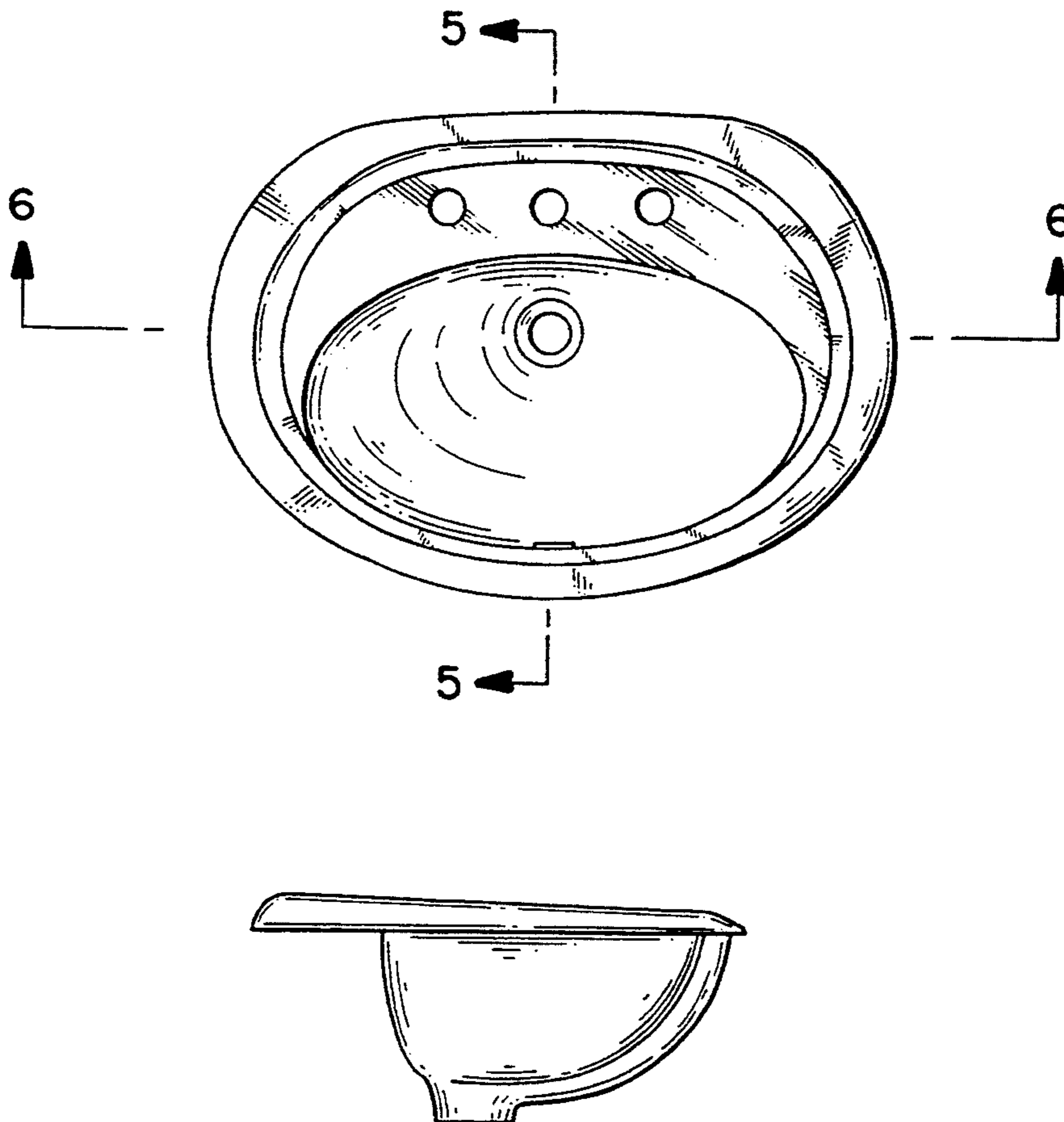
FIG. 1 is a top plan view of a basin showing my new design;

### [56] References Cited

#### U.S. PATENT DOCUMENTS

D. 188,931 10/1960 Ament ..... D23/294  
D. 202,410 9/1965 Sundberg et al. .... D23/294  
D. 228,500 10/1973 Ritzenthaler ..... D23/294  
D. 229,692 12/1973 Ganger ..... D23/294  
D. 231,986 7/1974 Koop ..... D23/294  
D. 236,725 9/1975 Frost ..... D23/294

FIG. 2 is a bottom plan view thereof;  
FIG. 3 is a right side elevational view thereof;  
FIG. 4 is a left side elevational view thereof;  
FIG. 5 is a cross-sectional view taken on line 5—5 of FIG. 1;  
FIG. 6 is a cross-sectional view taken on line 6—6 of FIG. 1;  
FIG. 7 is a front elevational view thereof; and,  
FIG. 8 is a rear elevational view thereof.



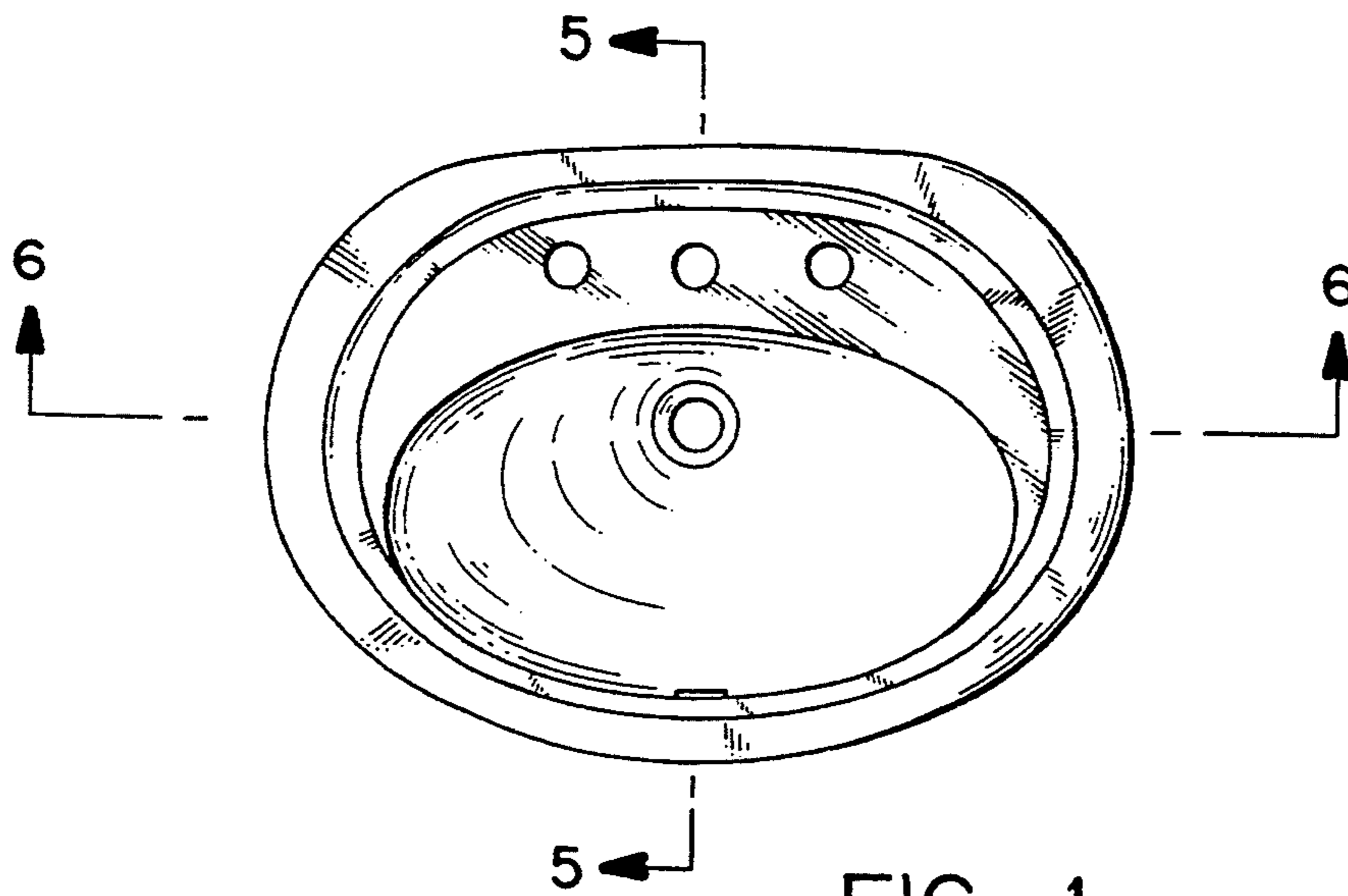


FIG. 1

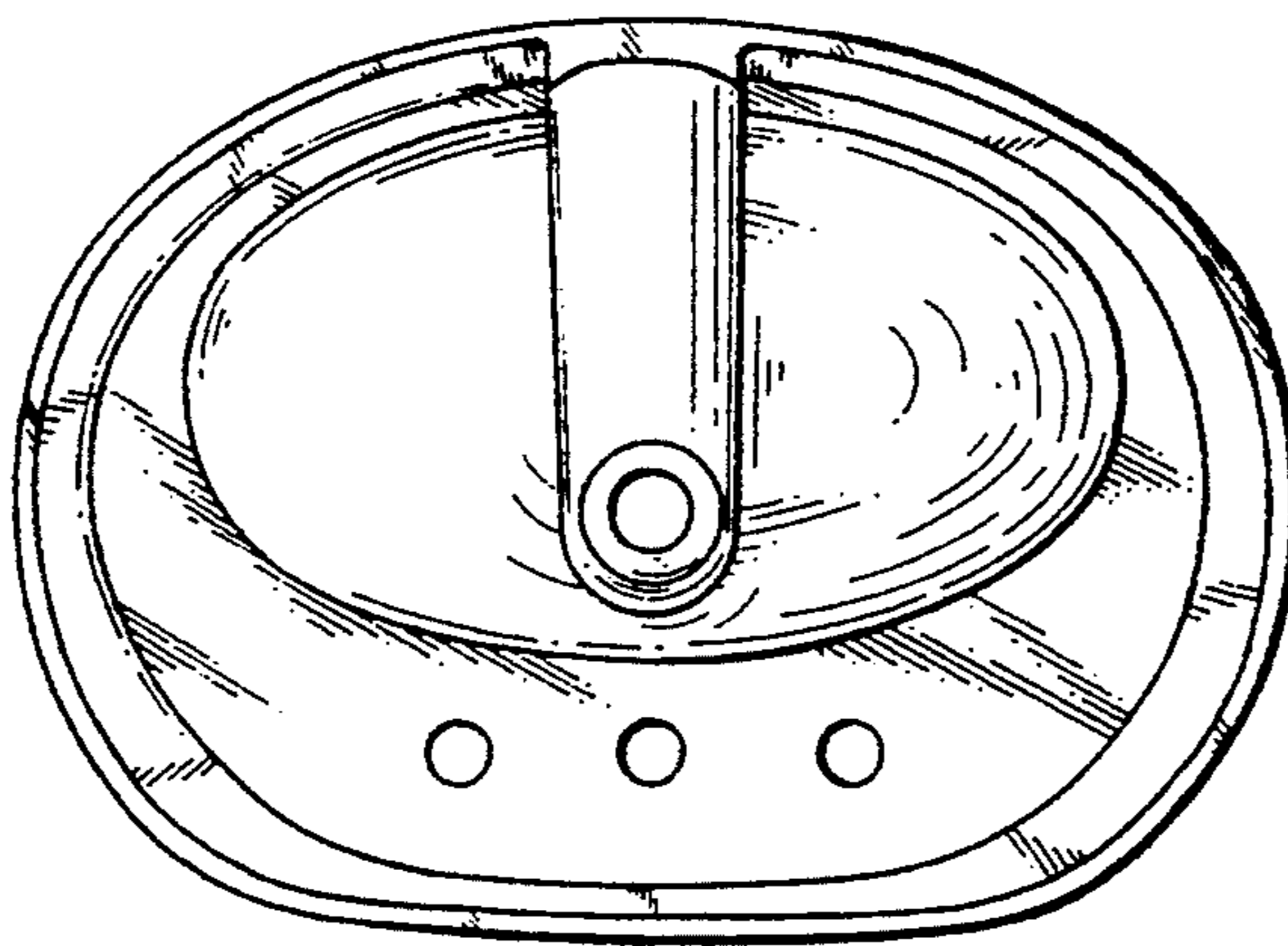


FIG. 2

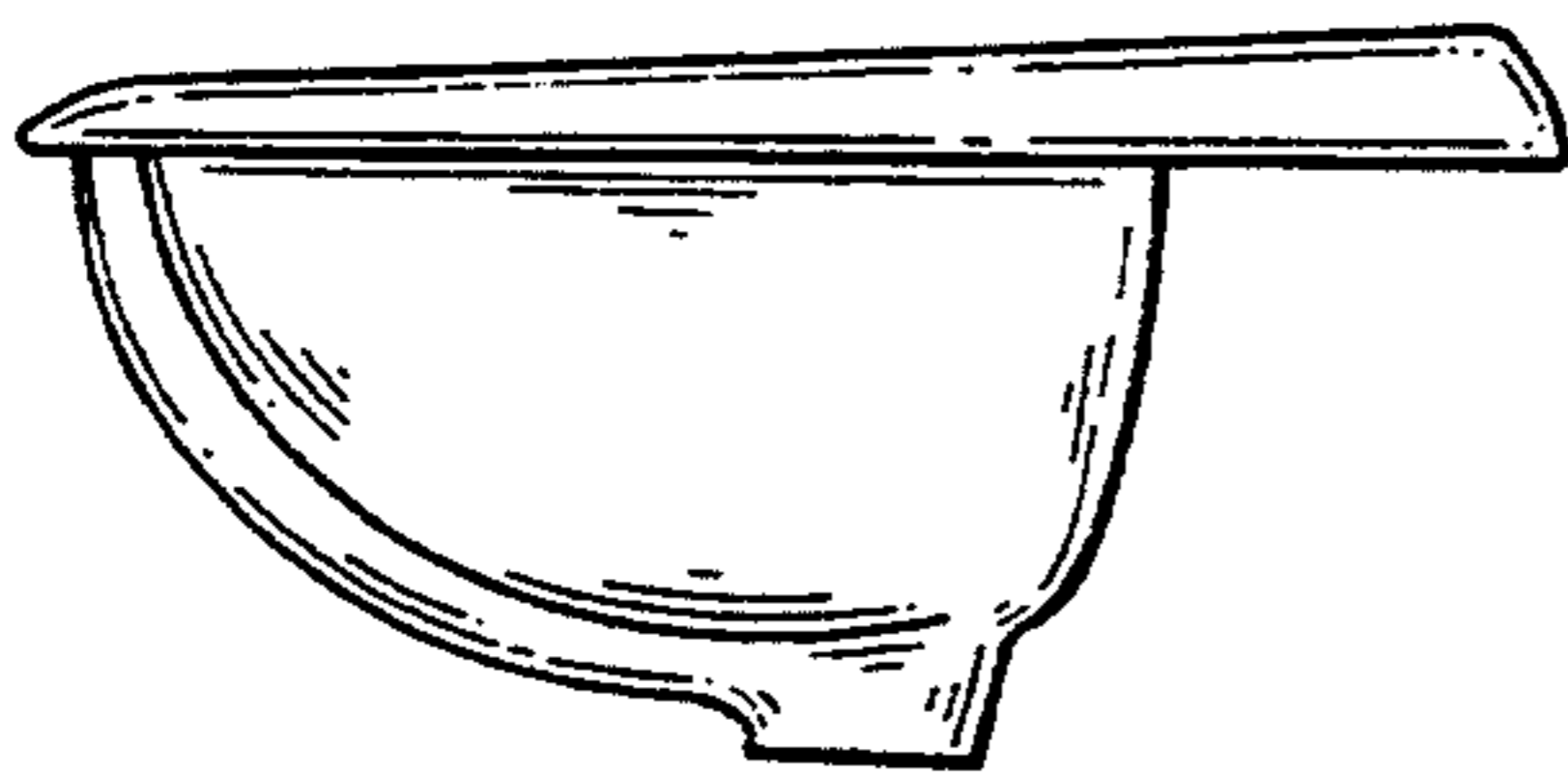


FIG. 4

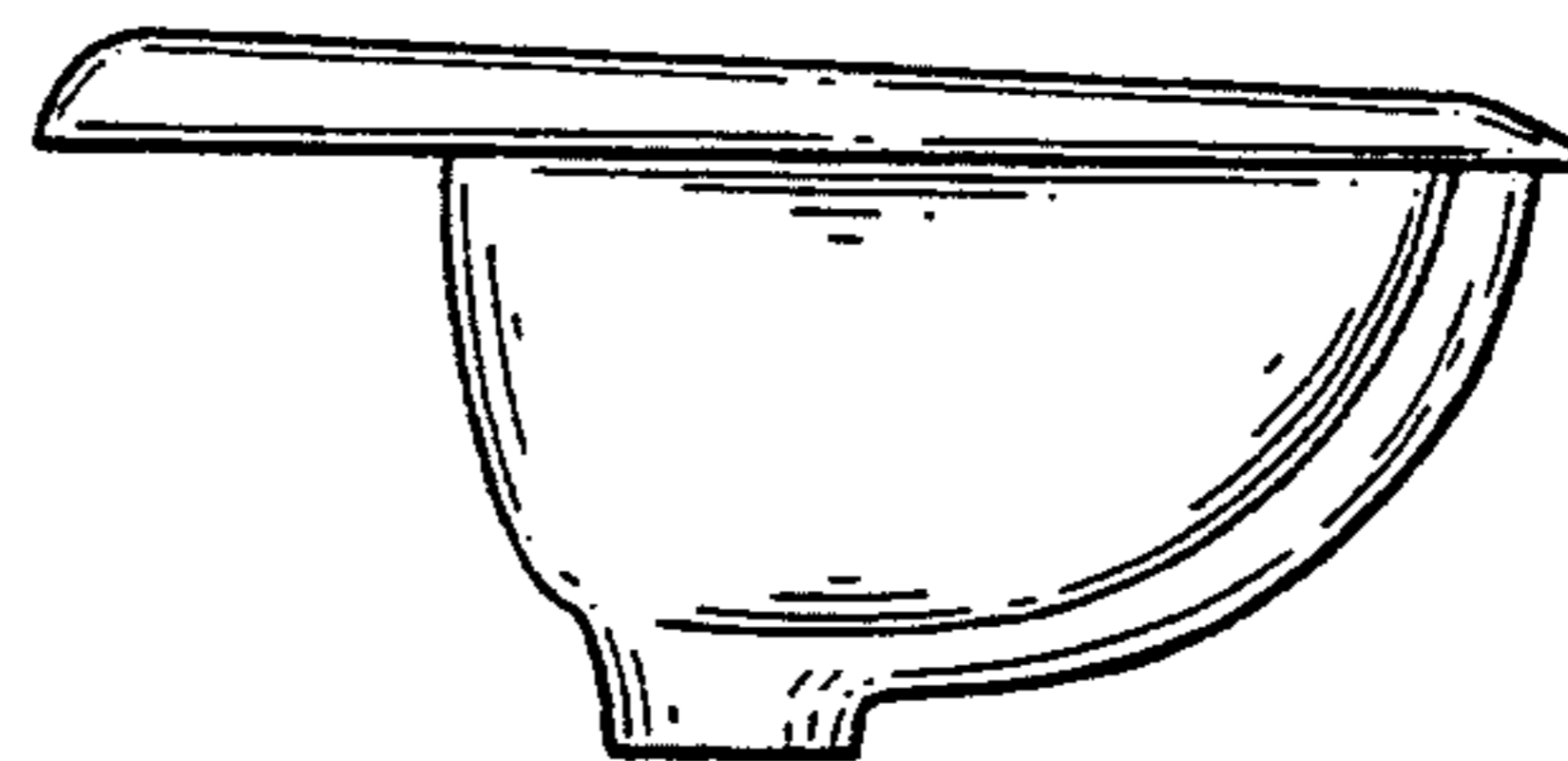


FIG. 3

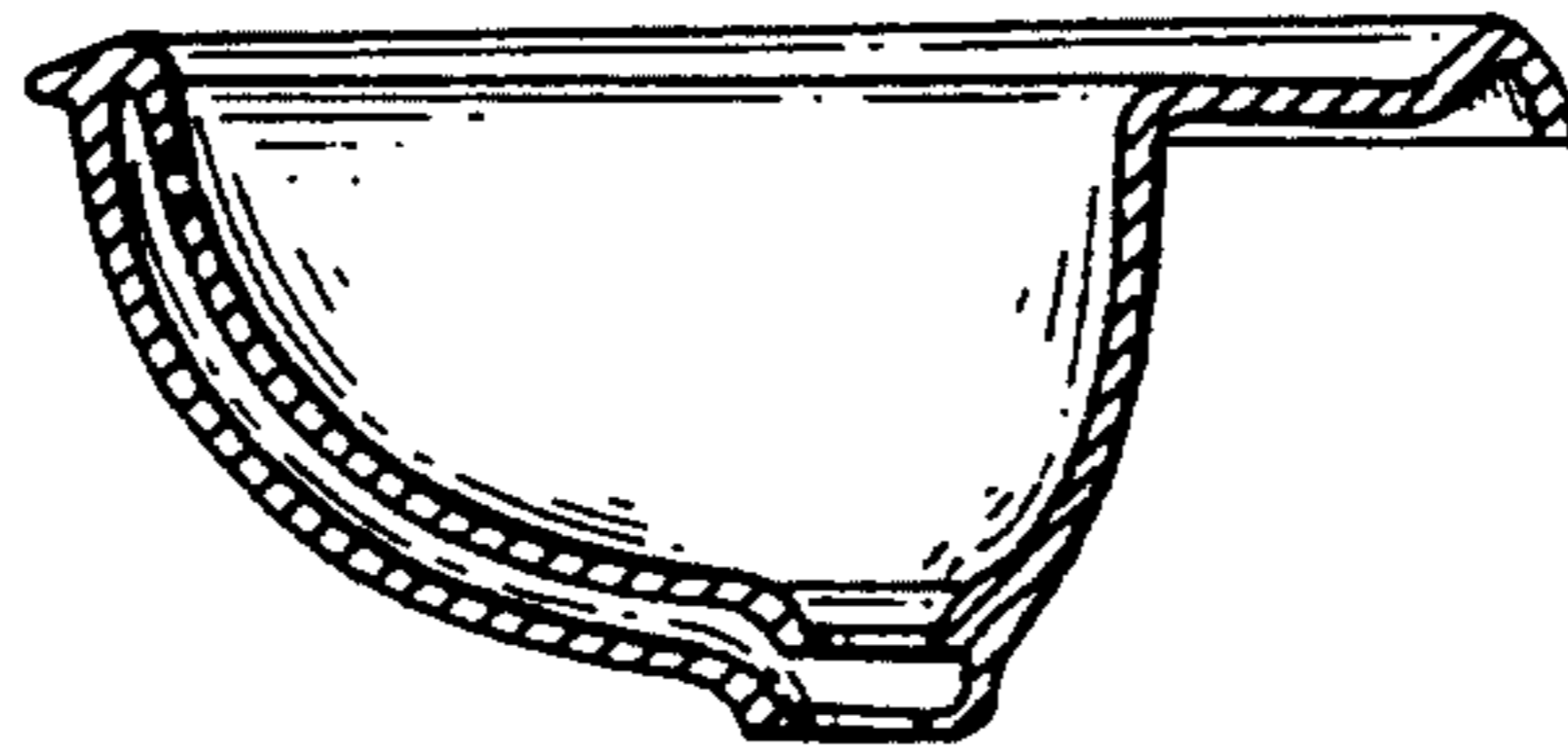


FIG. 5

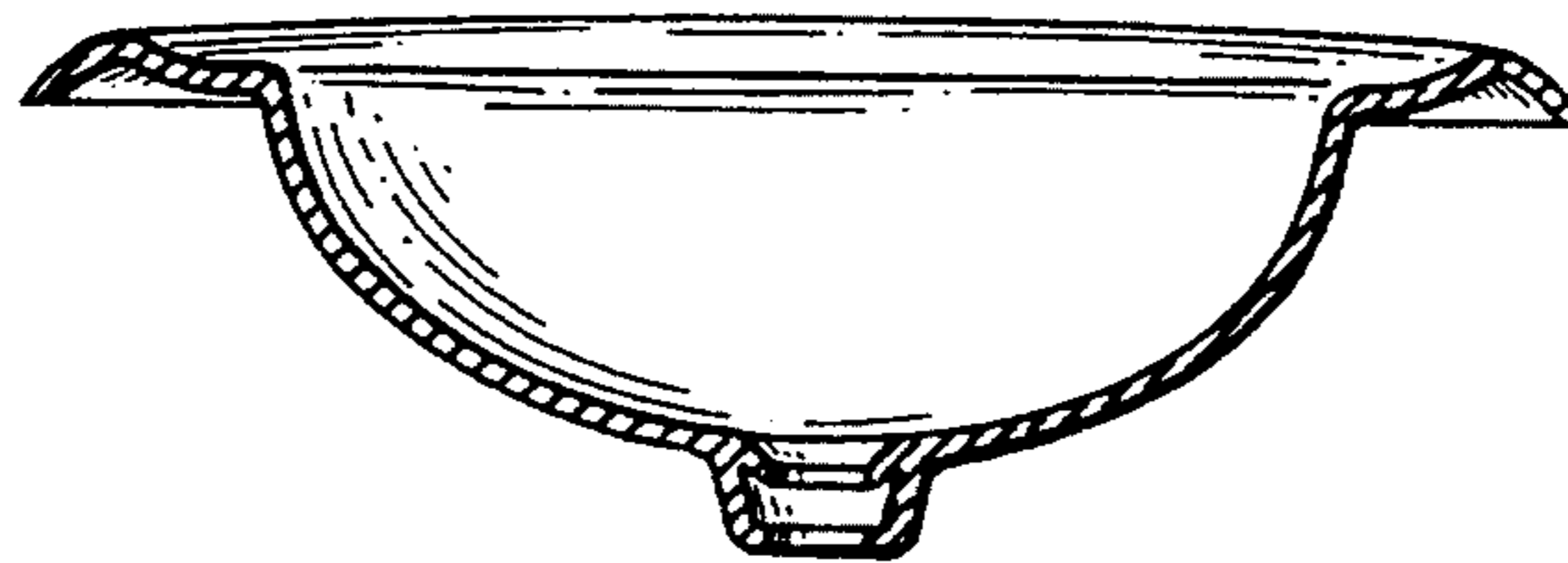


FIG. 6

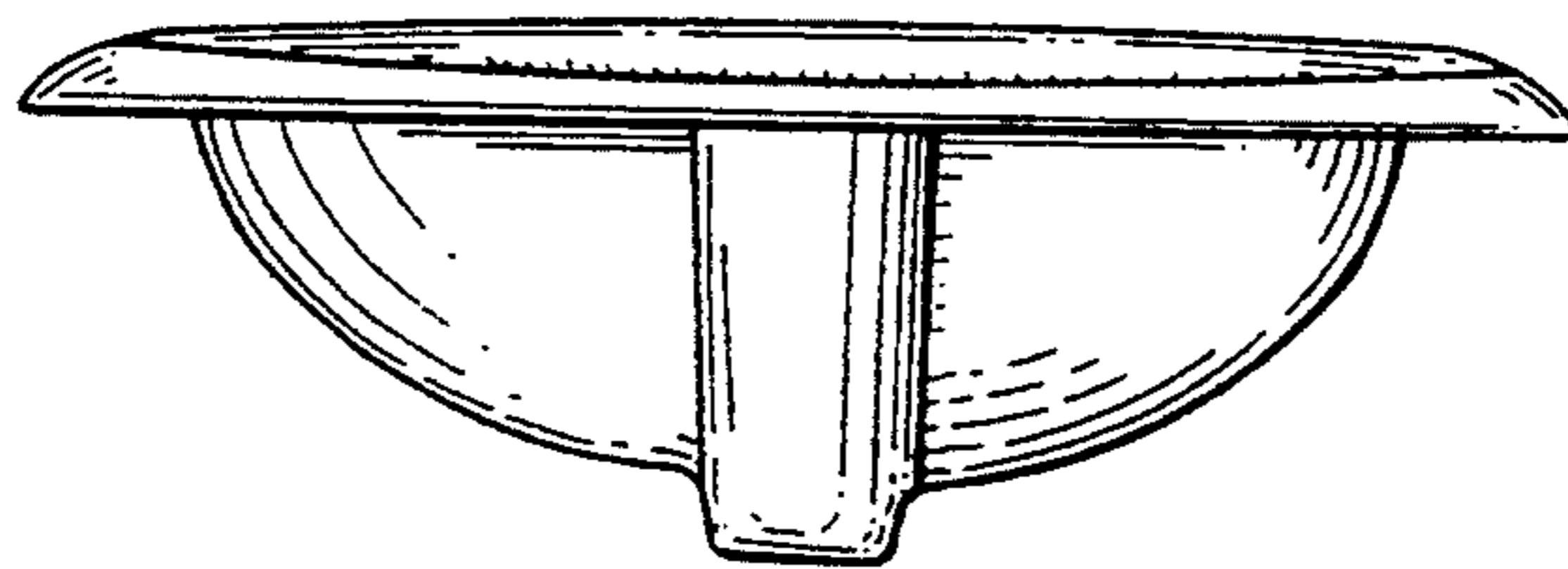


FIG. 7

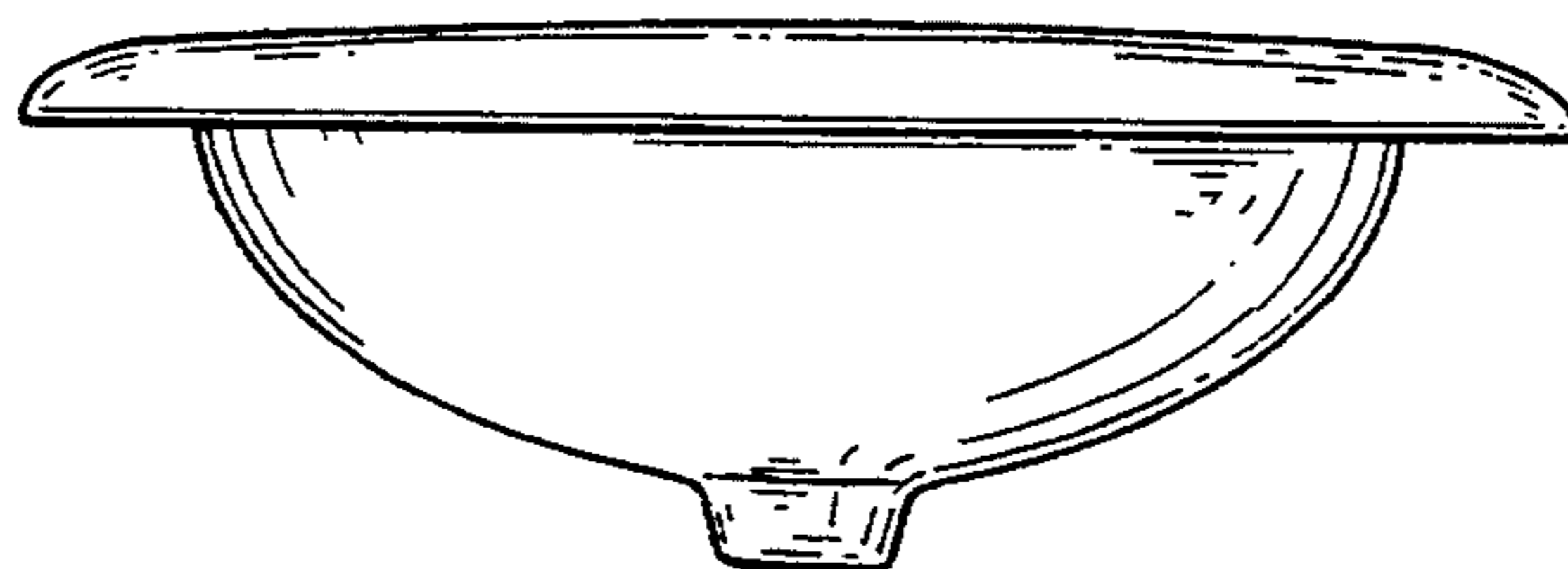


FIG. 8