



US00D355948S

United States Patent [19]

[11] Patent Number: **Des. 355,948**

Wu

[45] Date of Patent: **** Feb. 28, 1995**

[54] **GOLF ACCESSORY FOR A GOLF CART HOLDER**

[76] Inventor: **Ching-Chang Wu**, No. 35-1, Jih Hsin Street, Tu Cheng Hsiang, Taipei Hsien, Taiwan, Prov. of China

[**] Term: **14 Years**

[21] Appl. No.: **19,245**

[22] Filed: **Feb. 25, 1994**

[52] U.S. Cl. **D21/234**

[58] Field of Search **D21/234; 273/162 A; 206/315.9, 315.1; 224/918, 919, 163**

[56] **References Cited**

U.S. PATENT DOCUMENTS

D. 176,627	1/1956	Nash	D21/234 X
D. 191,750	11/1961	Exline	D21/234 X
D. 195,472	6/1963	Zimmers	D21/234 X
D. 314,222	1/1991	Viguers et al.	D21/234
D. 333,858	3/1993	Pitz	D21/234
D. 340,097	10/1993	Hubbard	D21/234

D. 349,549	8/1994	DeMichele	D3/254 X
2,782,971	2/1957	Hershey	D21/234 X
3,128,021	4/1964	Habbena	D21/234 X
3,753,519	8/1973	Gammon	206/315.1 X
5,004,137	4/1991	Wu	224/919 X

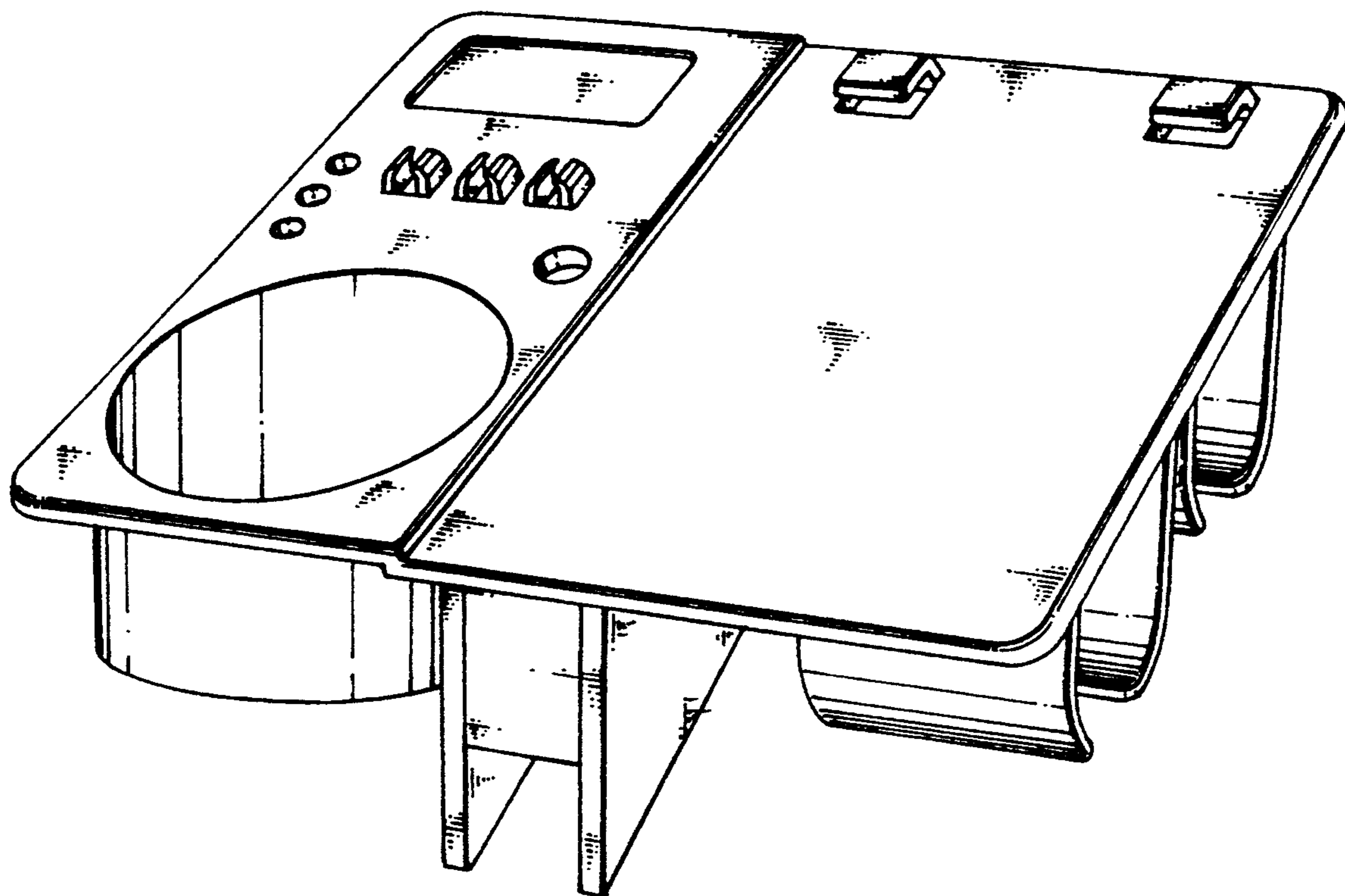
Primary Examiner—Melvin B. Feifer
Assistant Examiner—Cheri Cohen
Attorney, Agent, or Firm—Varndell Legal Group

[57] **CLAIM**

The ornamental design for golf accessory holder for a golf cart, as shown and described.

DESCRIPTION

FIG. 1 is a perspective view of a golf accessory holder for a golf cart showing my new design; FIG. 2 is a front elevational view thereof; FIG. 3 is a top plan view thereof; FIG. 4 is a bottom plan view thereof; FIG. 5 is a left side elevational view thereof; FIG. 6 is a right side elevational view thereof; and, FIG. 7 is a rear elevational view thereof.



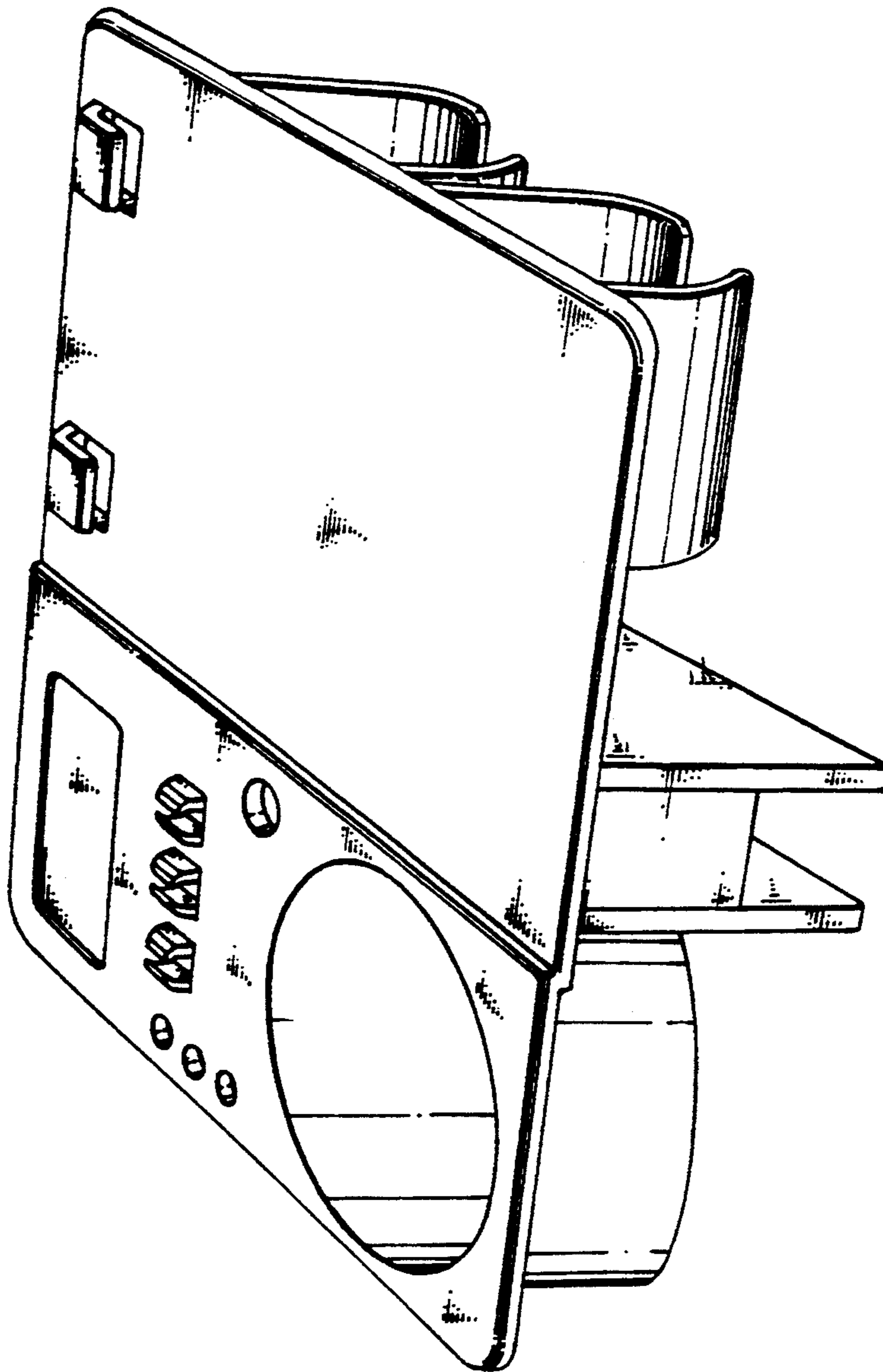


Fig. 1

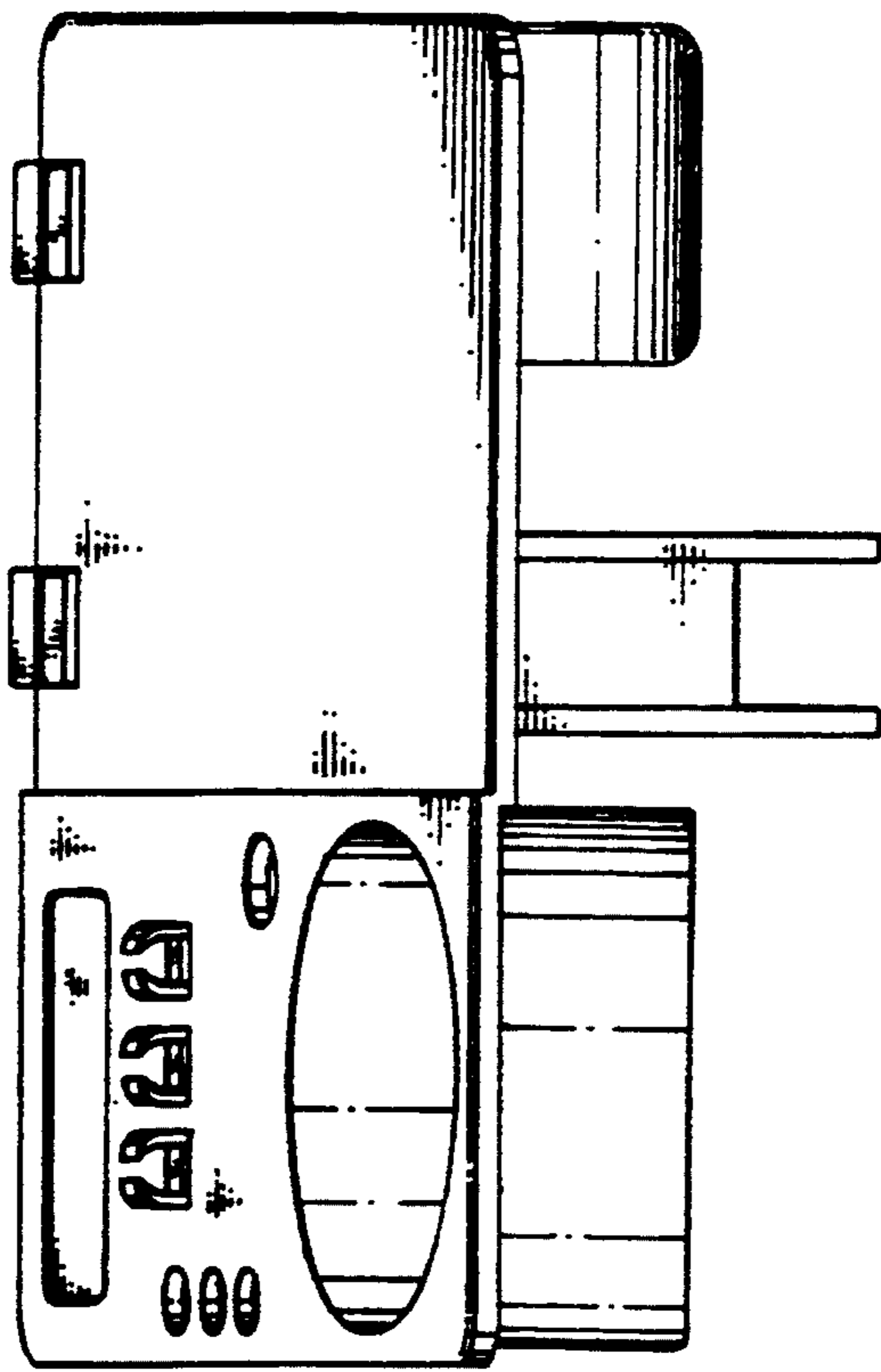


Fig. 2

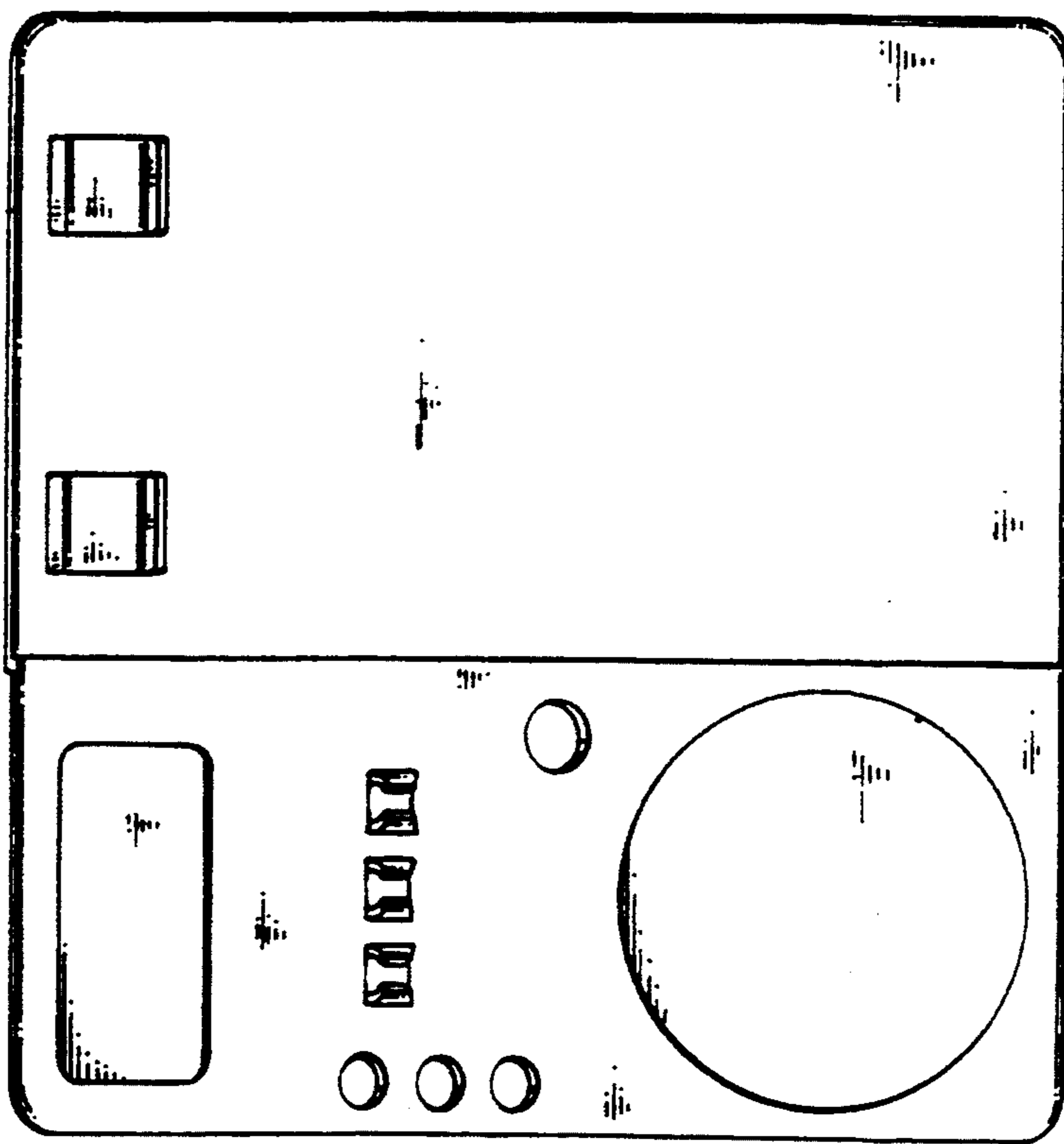


Fig. 3

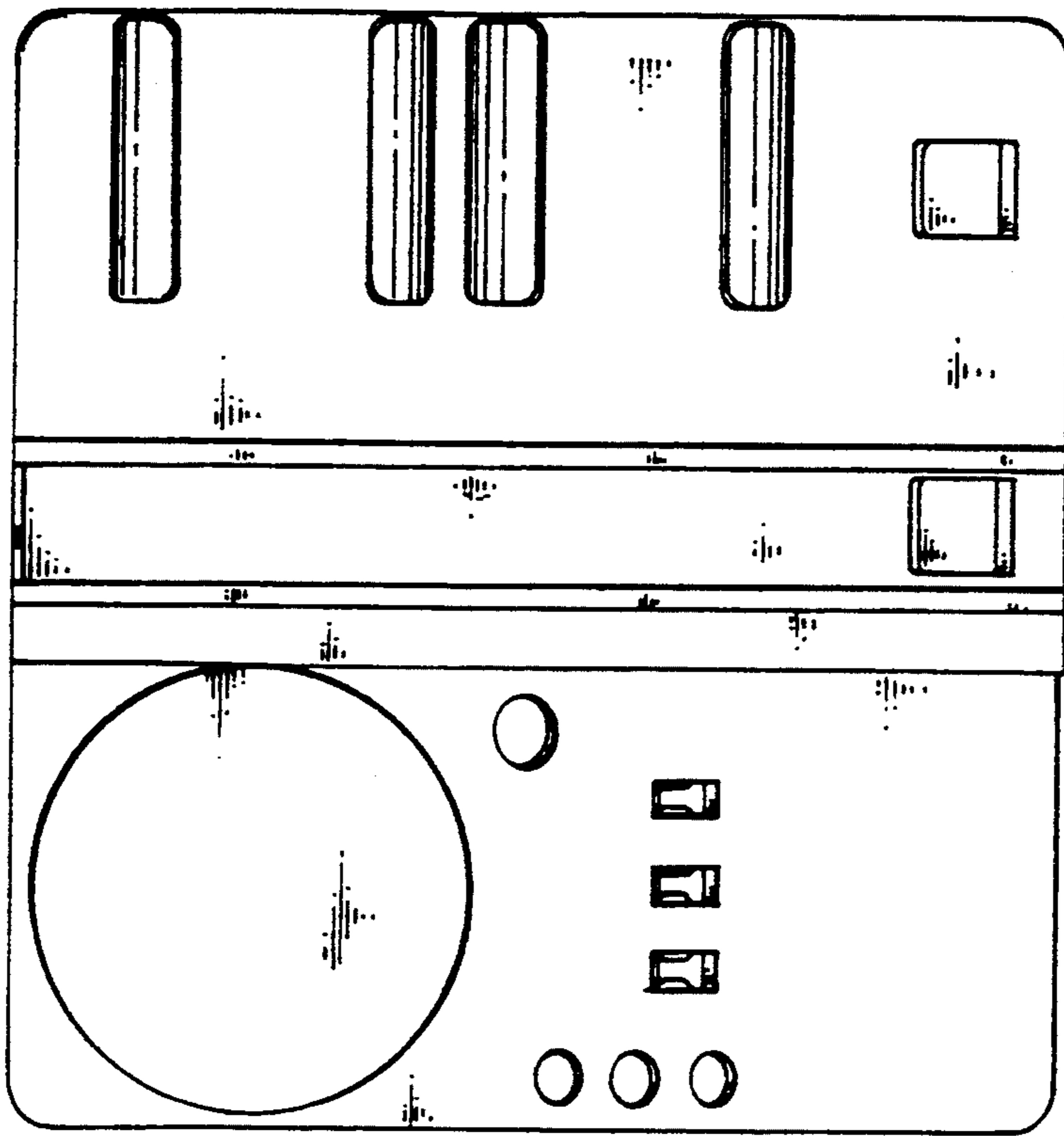


Fig. 4

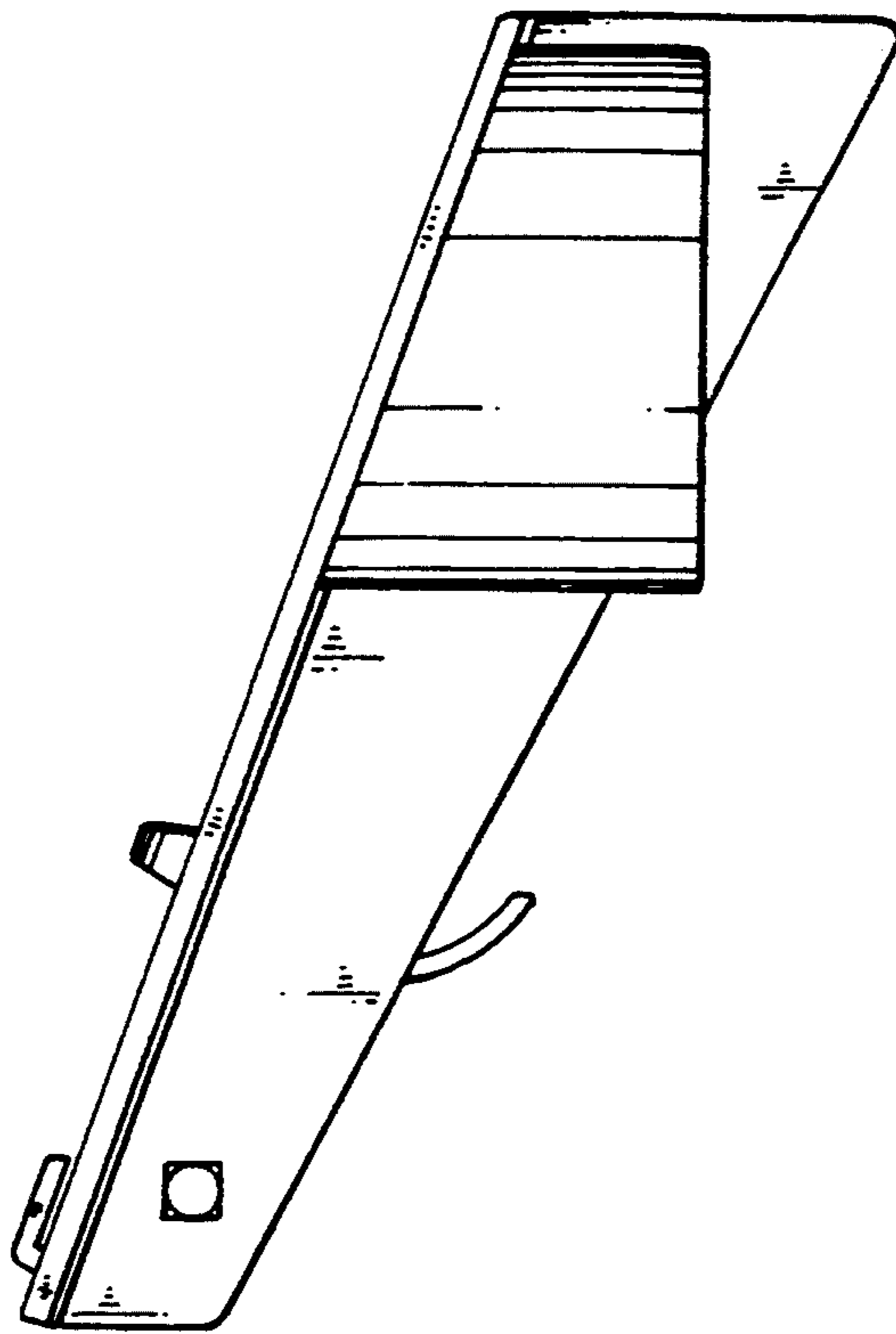


Fig. 5

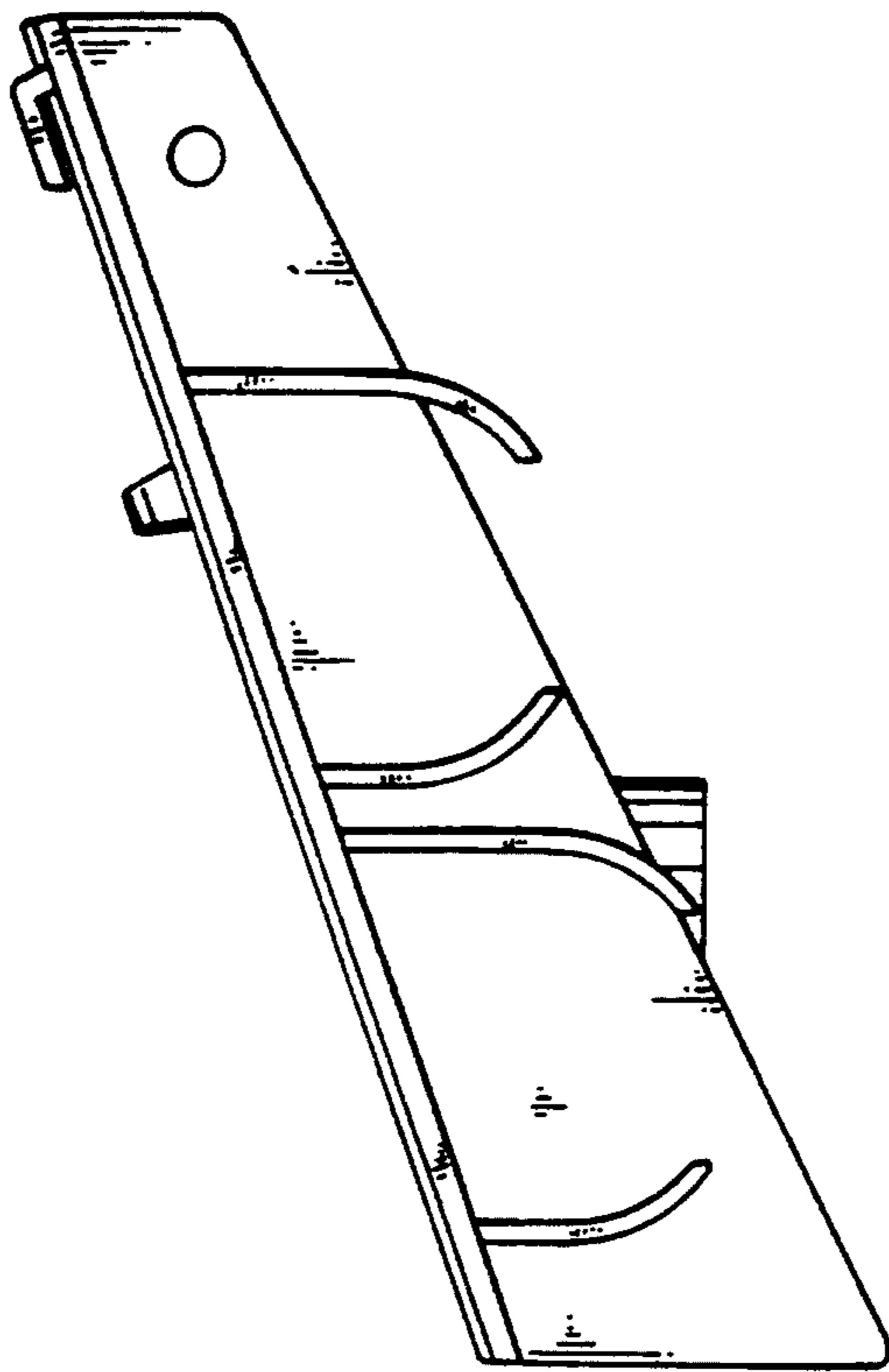


Fig. 6

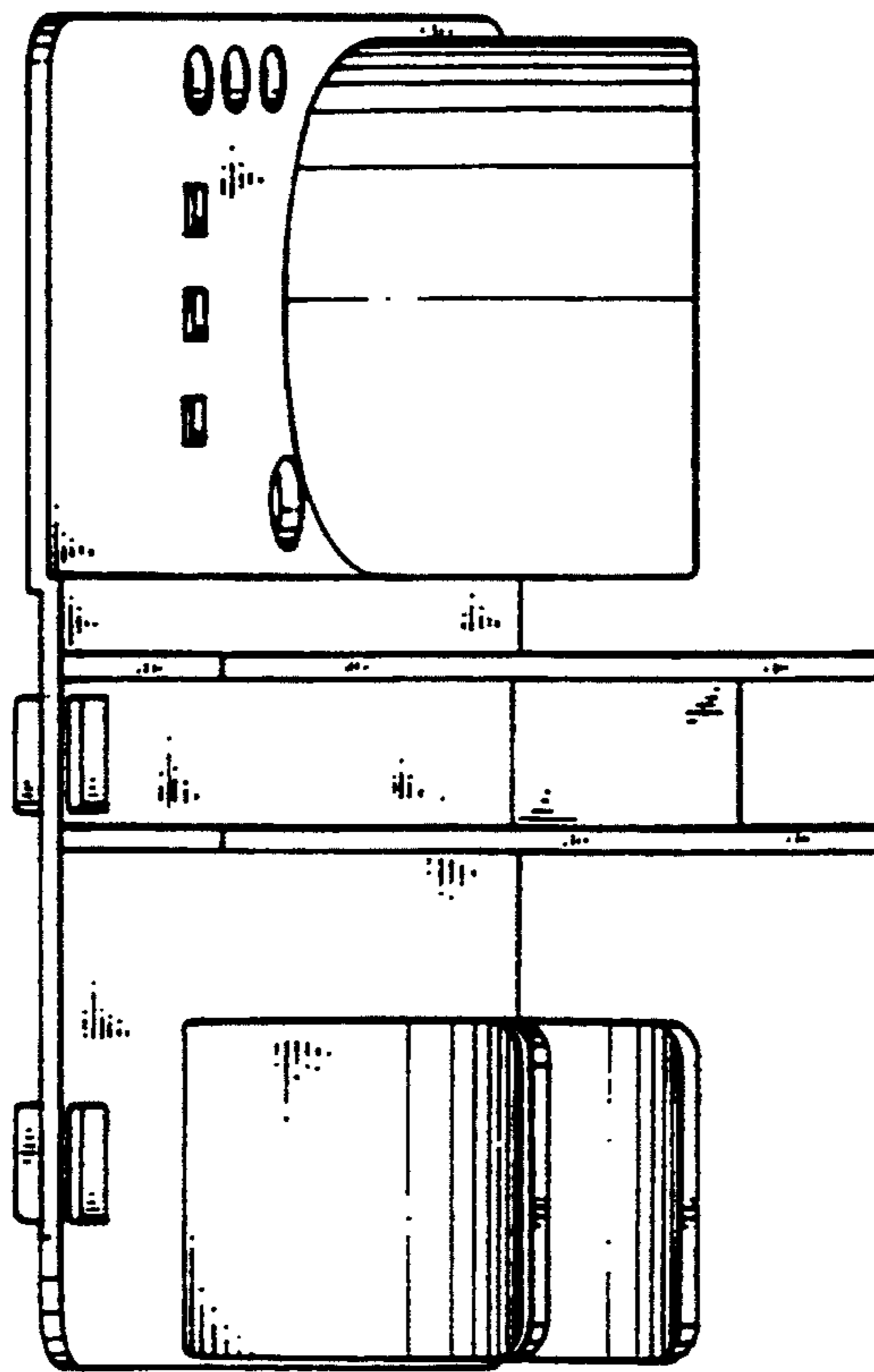


Fig. 7