



US00D355947S

United States Patent [19]

[11] Patent Number: **Des. 355,947**

Kang

[45] Date of Patent: **** Feb. 28, 1995**

[54] **BALL RETURN RACK**

2,994,968 8/1961 Phillips 473/110 X

[75] Inventor: **Tae S. Kang**, Seoul, Rep. of Korea

OTHER PUBLICATIONS

[73] Assignee: **Daesaeng Corporation**, Seoul, Rep. of Korea

AMF Bowling, Inc. Catalog—"Concept 90" Ball Returns.

[**] Term: **14 Years**

Primary Examiner—Prabhakar G. Deshmukh
Attorney, Agent, or Firm—Ladas & Parry

[21] Appl. No.: **14,655**

[57] **CLAIM**

[22] Filed: **Oct. 26, 1993**

The ornamental design for a ball return rack, as shown and described.

[30] **Foreign Application Priority Data**

DESCRIPTION

Jun. 2, 1993 [KR] Rep. of Korea 93-10581

[52] U.S. Cl. **D21/233**

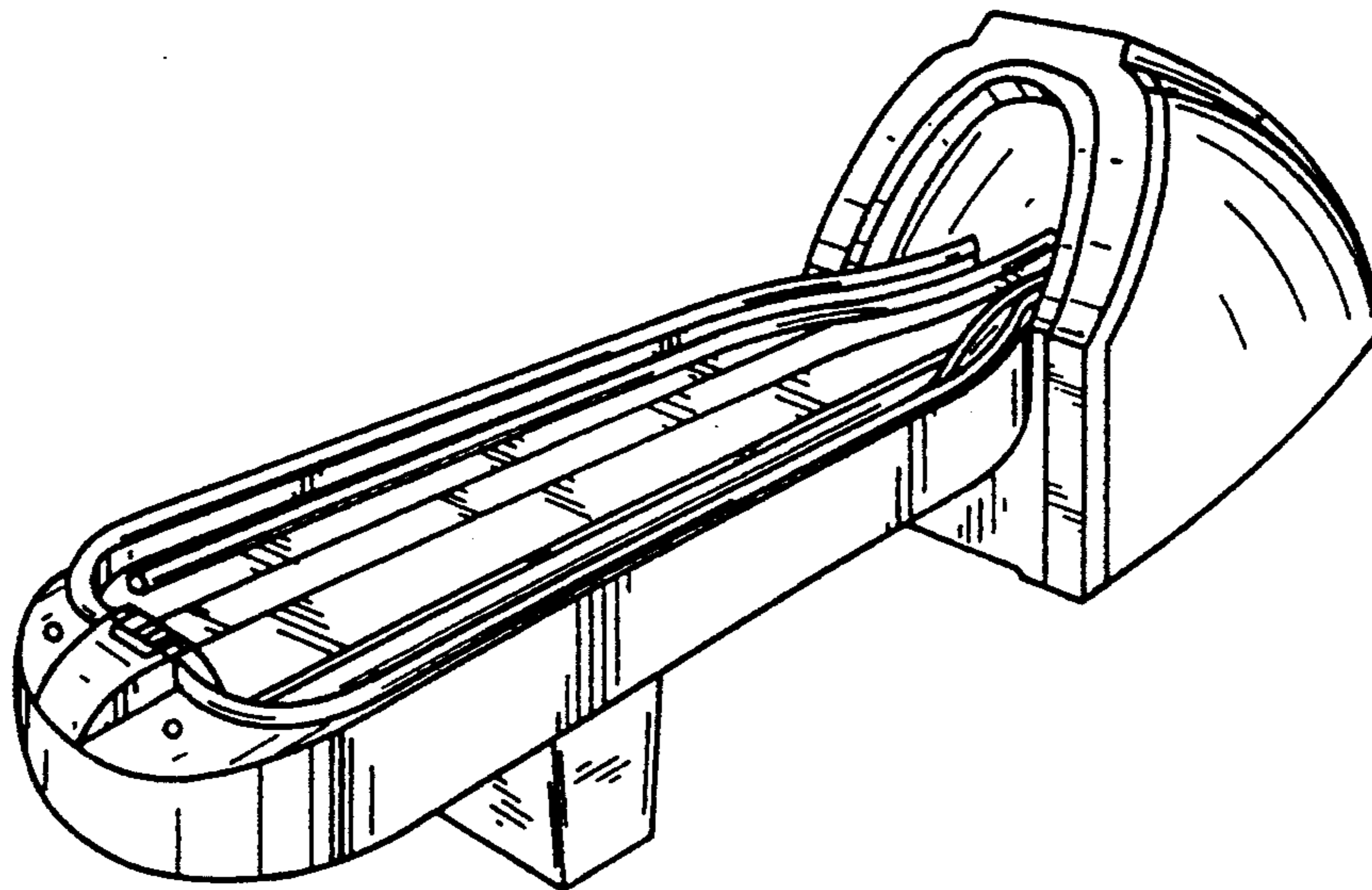
[58] Field of Search D21/233; 473/54, 115, 473/116, 117, 110-112, 114, 106

FIG. 1 is a perspective view of a ball return rack showing my new design;
FIG. 2 is a left side view thereof; the right side view being a mirror image thereof;
FIG. 3 is a front view thereof;
FIG. 4 is a rear view thereof;
FIG. 5 is a top view thereof;
FIG. 6 is a cross-sectional view taken along line 6—6 of FIG. 5; and,
FIG. 7 is a cross-sectional view taken along line 7—7 of FIG. 5.
The bottom is unornamented.

[56] **References Cited**

U.S. PATENT DOCUMENTS

- D. 184,196 12/1958 Reineman D21/233
- D. 224,421 7/1972 Reineman et al. D21/233
- D. 226,860 5/1973 Maeda D21/233 X
- D. 236,844 9/1975 Meade D21/233 X
- 985,561 2/1911 Wehner 473/116
- 2,796,261 6/1957 Turner 473/110



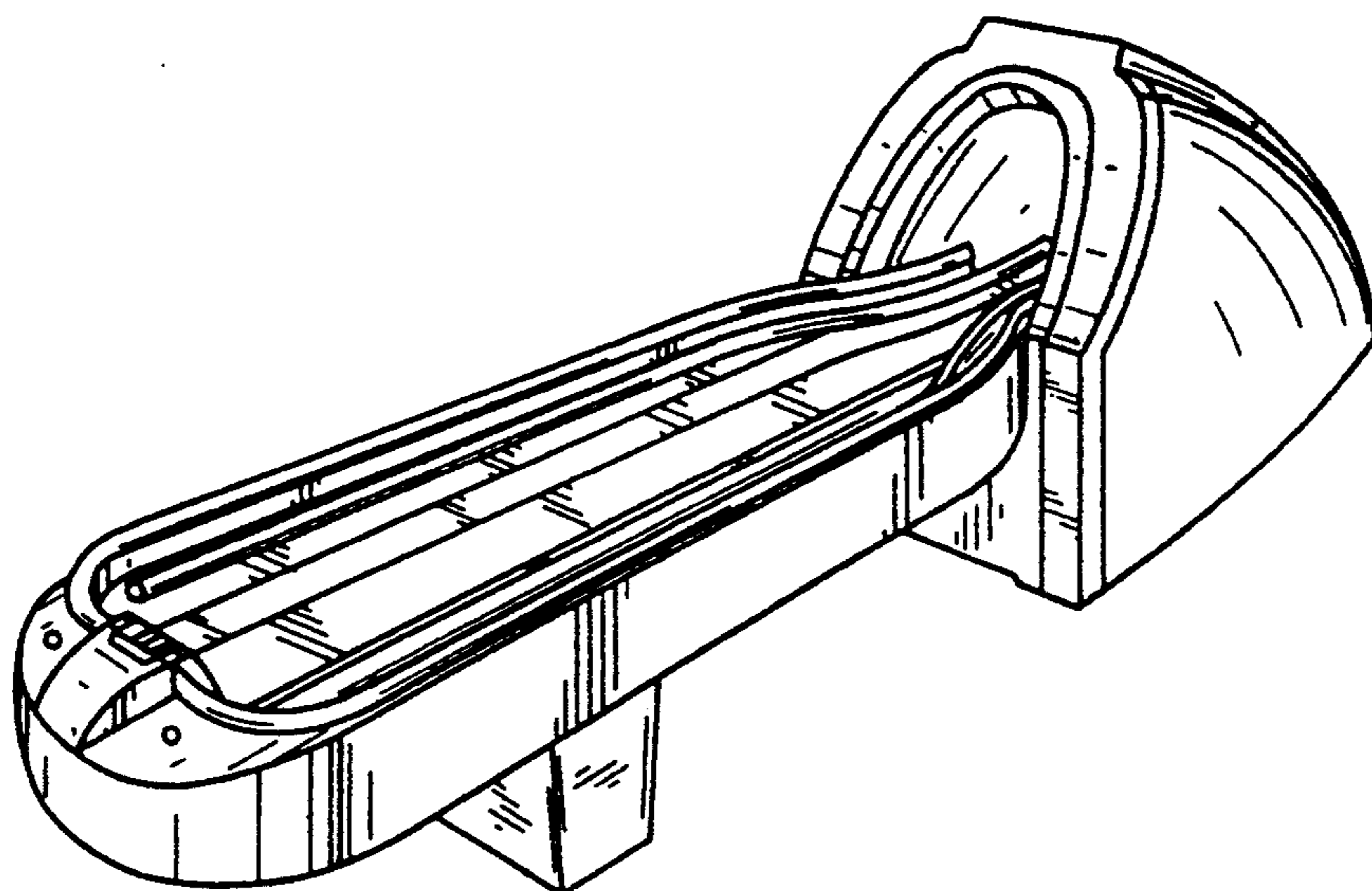
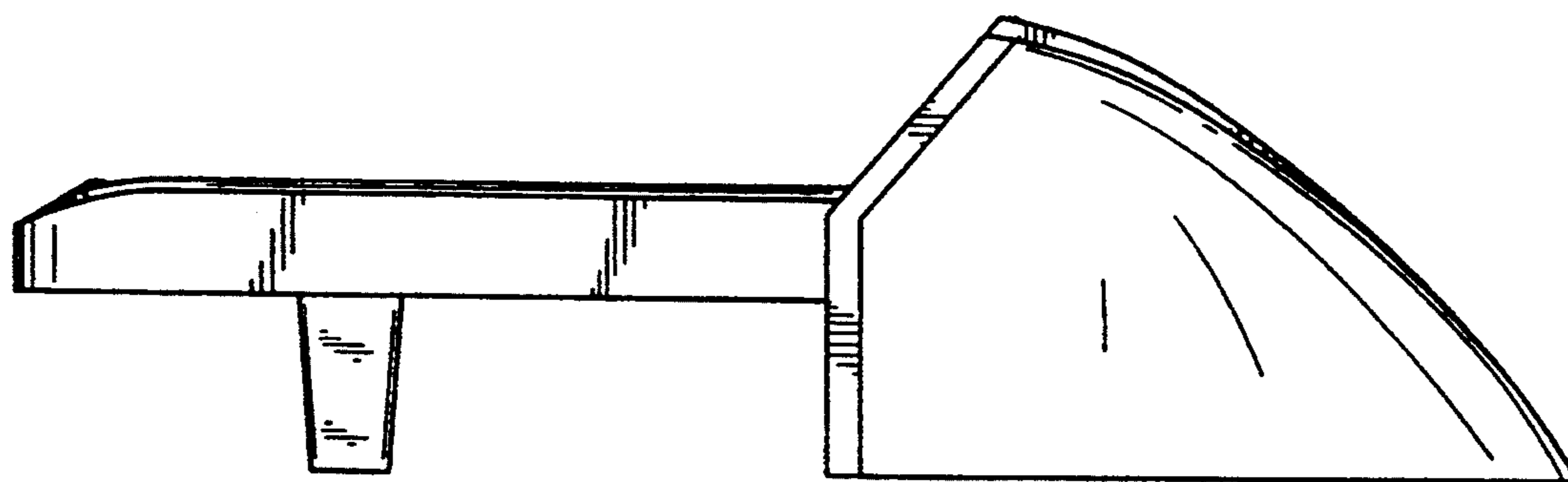


FIG. 1

FIG. 2



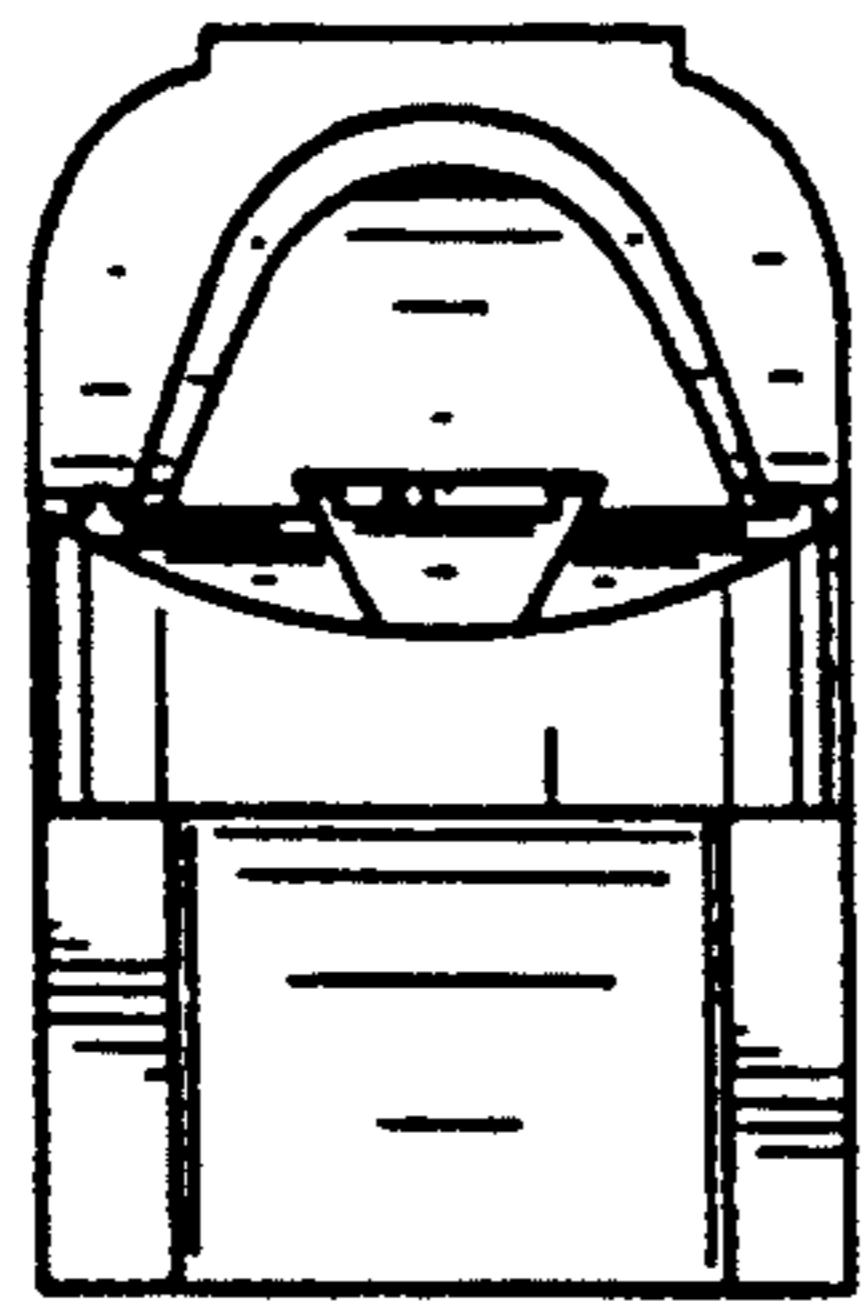


FIG. 3

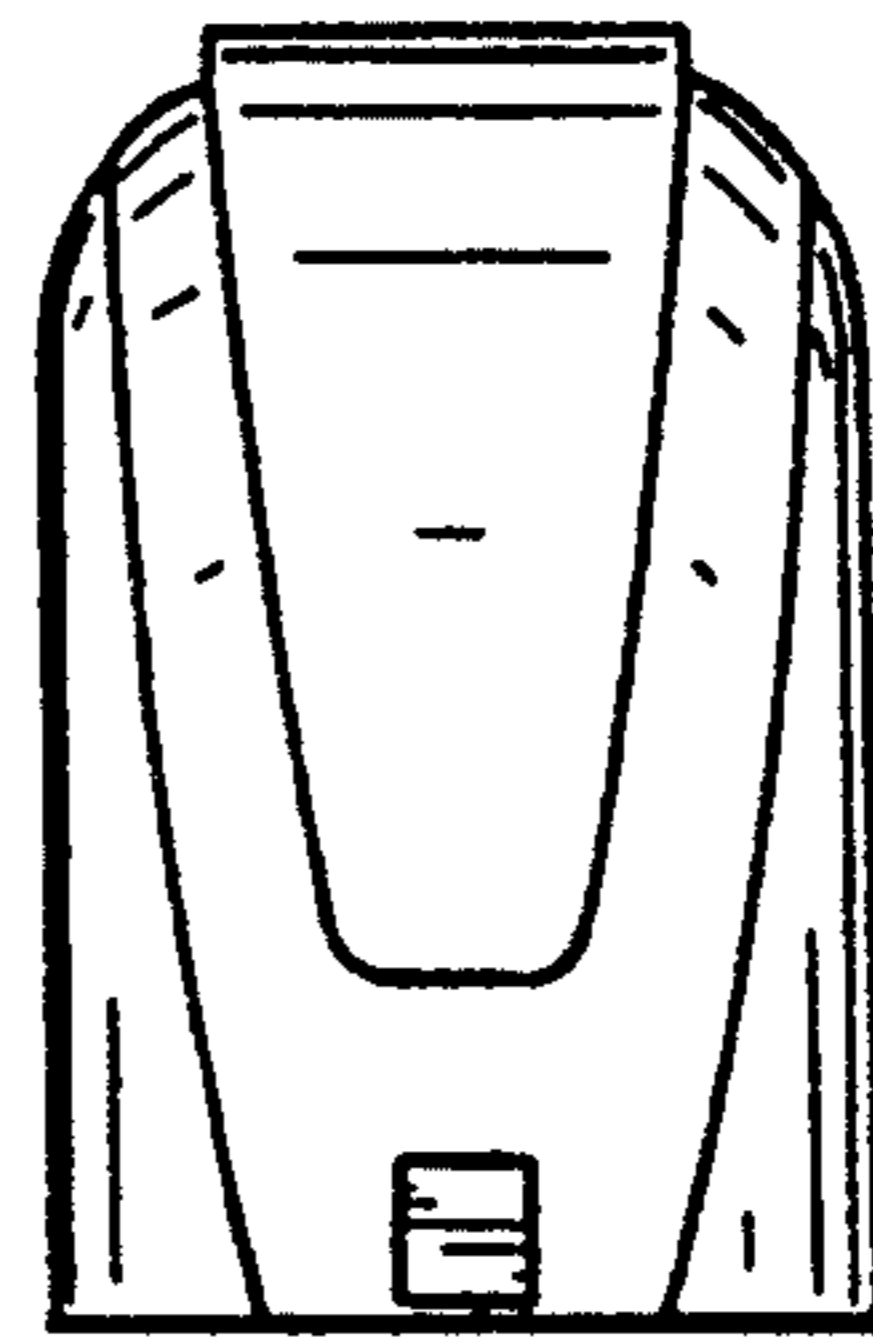
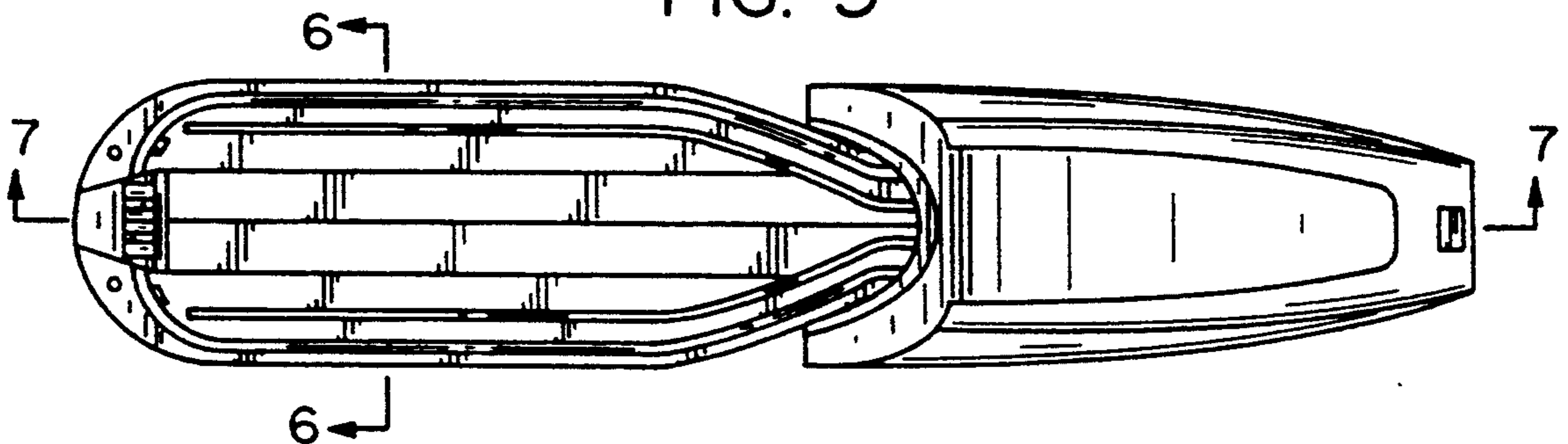


FIG. 4

FIG. 5



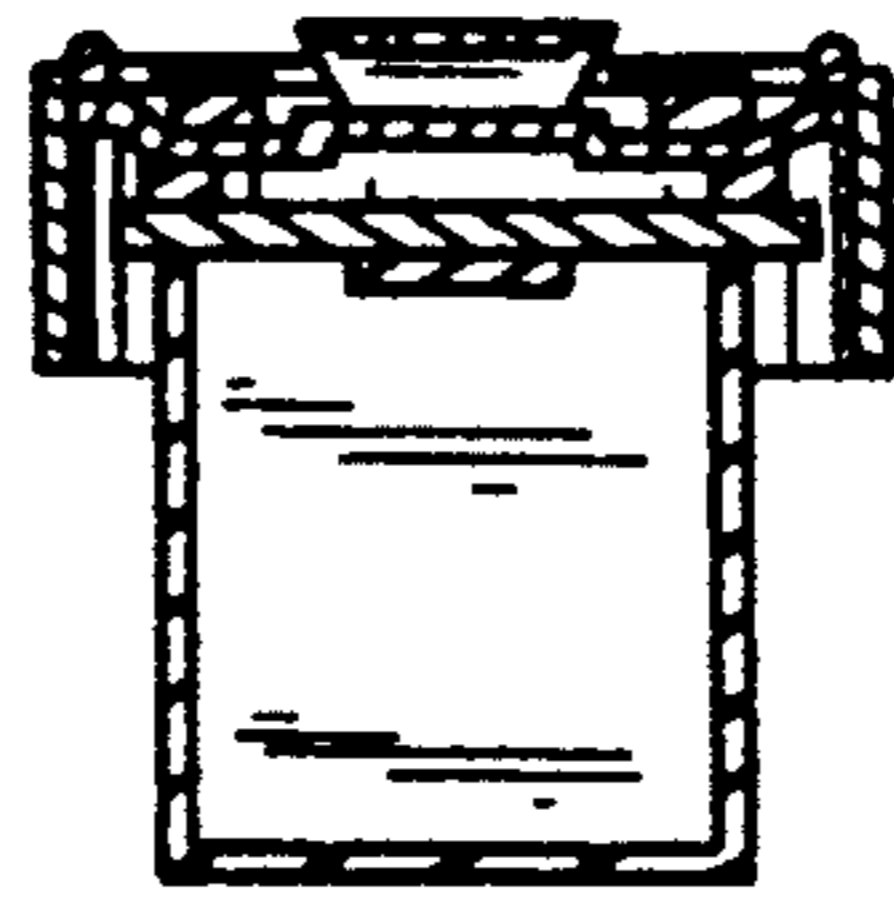


FIG. 6

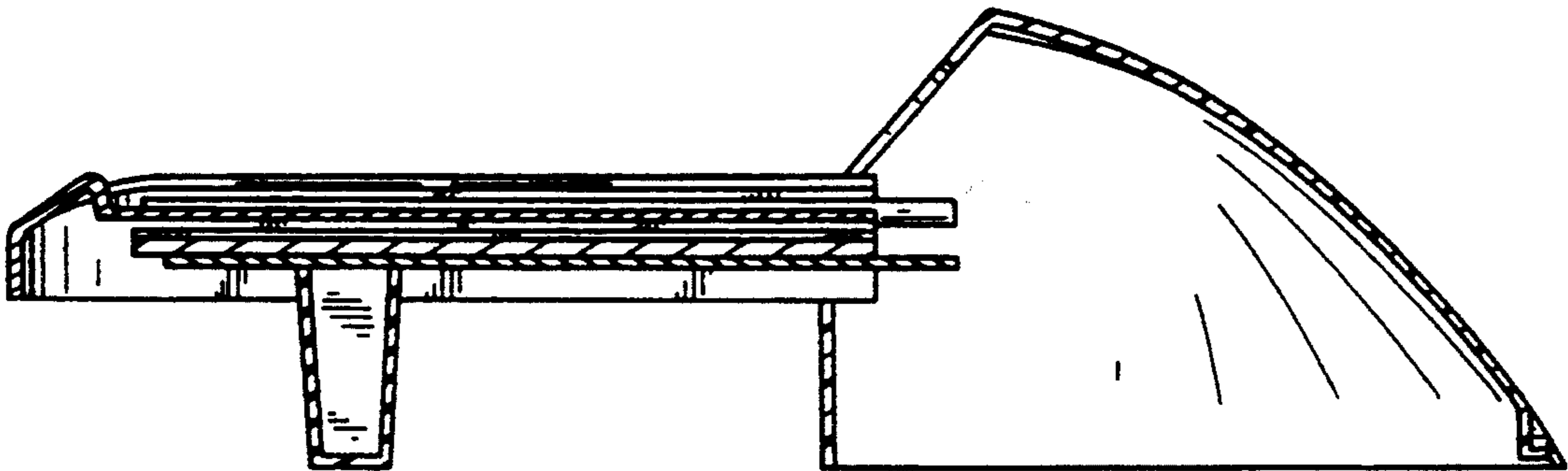


FIG. 7

UNITED STATES PATENT AND TRADEMARK OFFICE
CERTIFICATE OF CORRECTION

PATENT NO. : Des. 355,947

DATED : February 28, 1995

INVENTOR(S) : Tae S. Kang

It is certified that error appears in the above-identified patent and that said Letters Patent is hereby corrected as shown below:

On the title page, under item [56], before Other Publications insert the following:

--FOREIGN PATENT DOCUMENTS
D. 413058 8/25/75 Japan --

Signed and Sealed this

Twenty-fourth Day of October, 1995

Attest:



BRUCE LEHMAN

Attesting Officer

Commissioner of Patents and Trademarks