



US00D355946S

# United States Patent [19] Park

[11] Patent Number: **Des. 355,946**

[45] Date of Patent: **\*\* Feb. 28, 1995**

[54] **COMBINED SKATEBOARD AND RADIO AND CASSETTE TAPE PLAYER**

[76] Inventor: **Heung H. Park**, 14730 Willow Creek La., Chino Hills, Calif. 91709

[\*\*] Term: **14 Years**

[21] Appl. No.: **13,202**

[22] Filed: **Aug. 6, 1993**

[52] U.S. Cl. .... **D21/227**

[58] Field of Search ..... **D21/224-228, D21/71, 81; 446/431; 280/11.19, 11.22, 1.13, 1.22, 87.041, 87.042, 842, 843, 11.2; 455/344-345; D14/188-189**

[56] **References Cited**

**U.S. PATENT DOCUMENTS**

- D. 222,158 10/1971 Noches ..... D21/227
- D. 243,206 1/1977 Sherwood ..... D21/227
- D. 343,436 1/1994 Park ..... D21/227

- D. 343,884 2/1994 Park ..... D21/227
- 4,182,520 1/1980 Stevenson ..... 280/87.042
- 4,824,139 4/1989 Robbins ..... 455/344
- 4,930,794 6/1990 Chan ..... 280/87.042
- 5,002,294 3/1991 Franz ..... 280/87.042

*Primary Examiner*—Bernard Ansher

*Assistant Examiner*—R. Barkai

[57] **CLAIM**

The ornamental design for combined skateboard and radio and cassette tape player, as shown and described.

**DESCRIPTION**

FIG. 1 is a top perspective view of a combined skateboard and radio and cassette tape player showing my design;

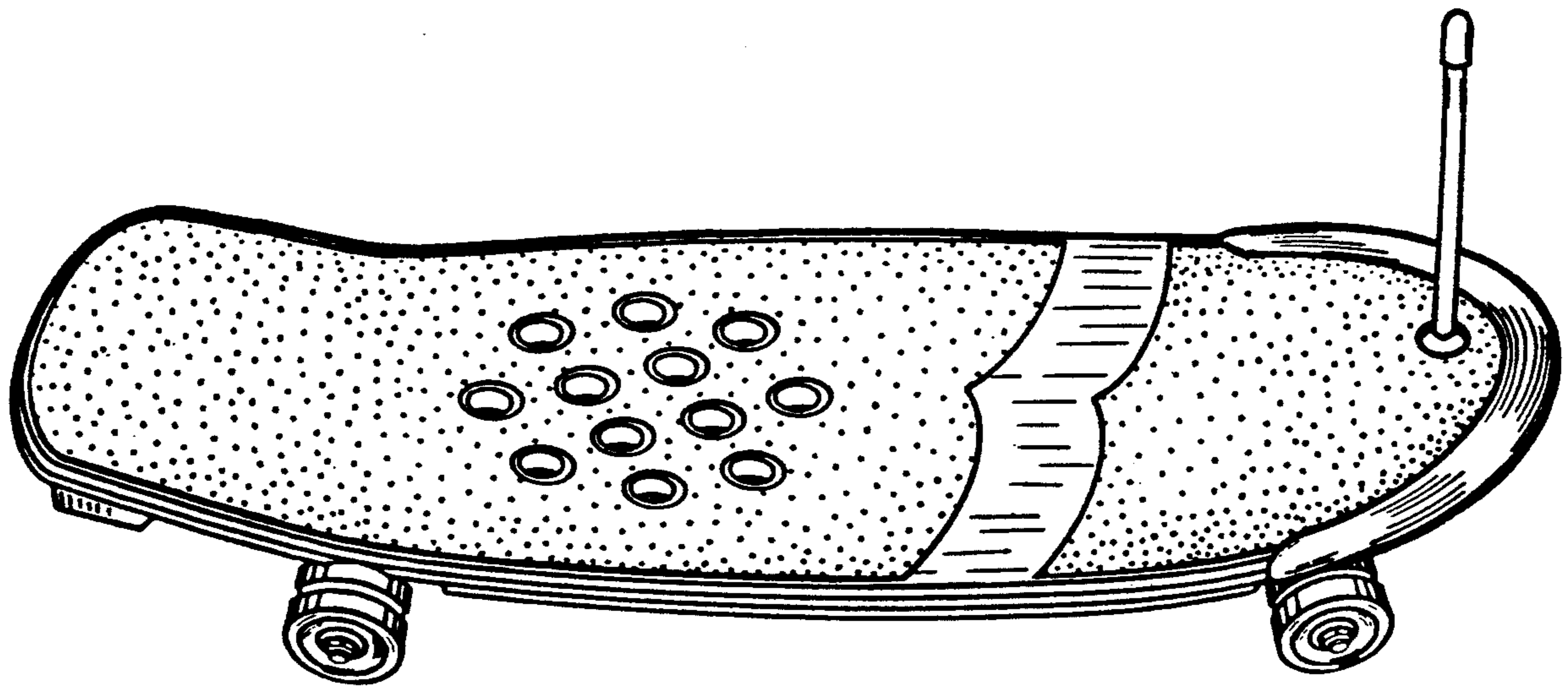
FIG. 2 is a bottom perspective view thereof;

FIG. 3 is a left side elevational view thereof;

FIG. 4 is a right side elevational view thereof;

FIG. 5 is a front elevational view thereof; and,

FIG. 6 is a rear elevational view thereof.



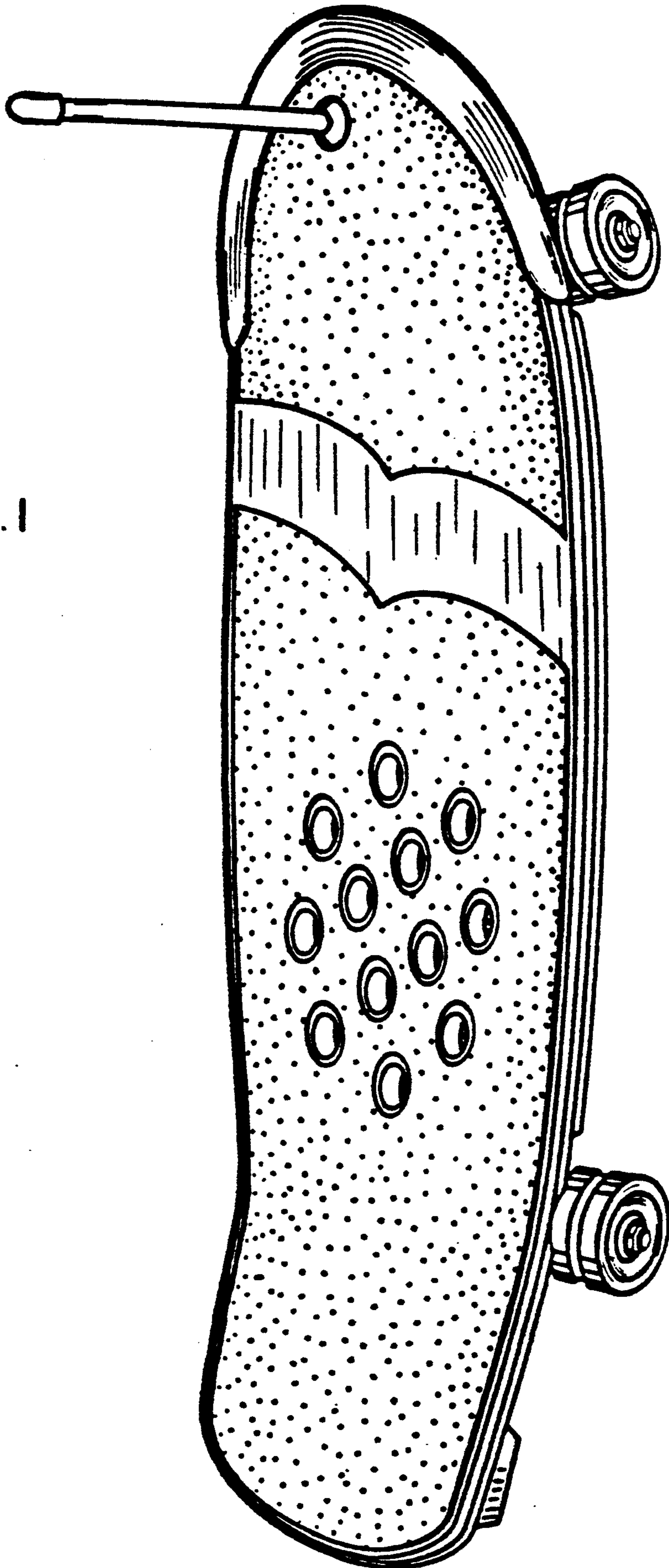


FIG. 1

FIG. 2

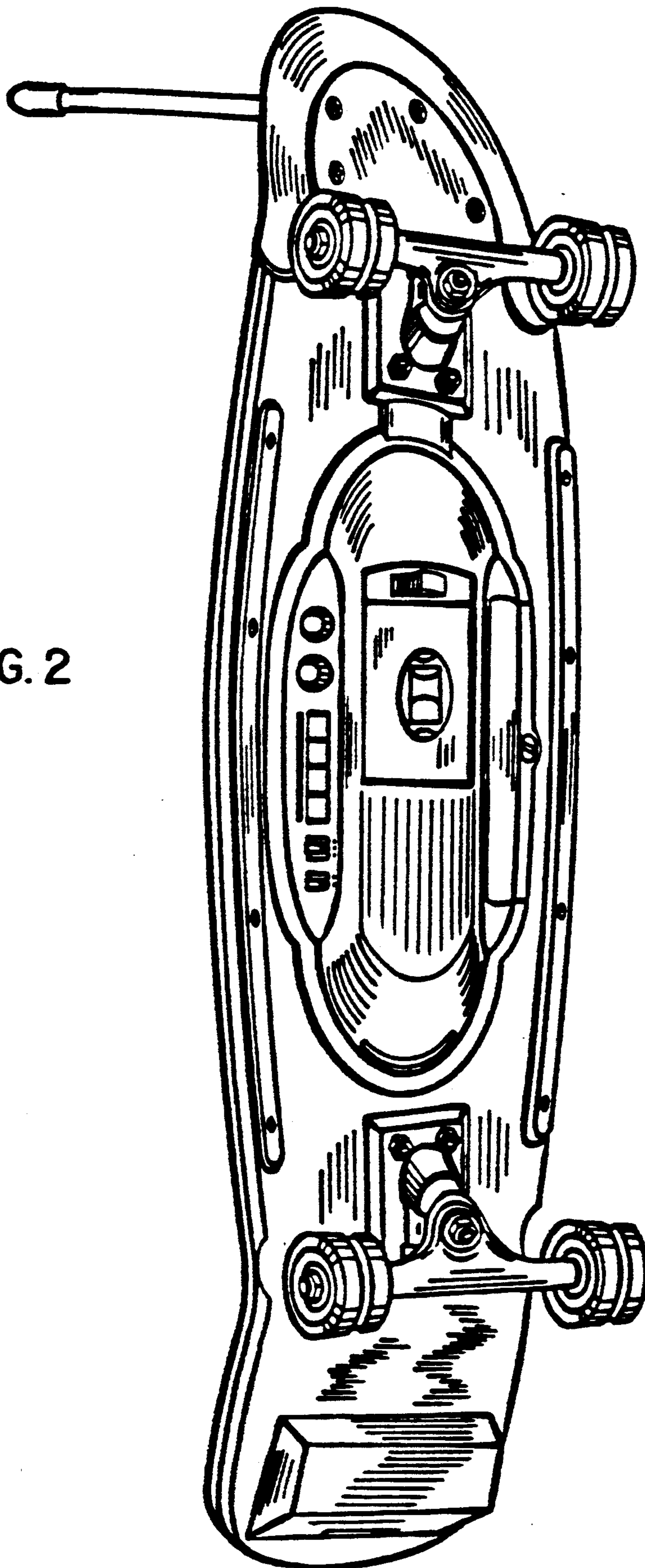


FIG. 3

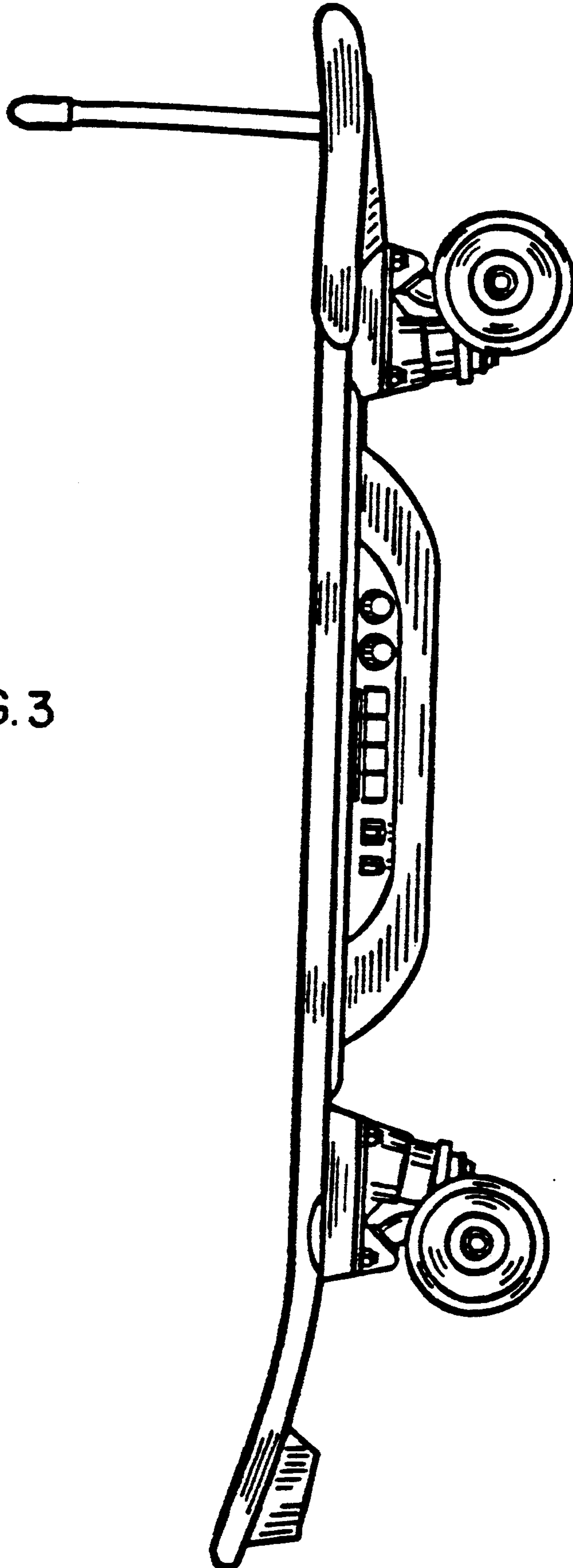


FIG. 4

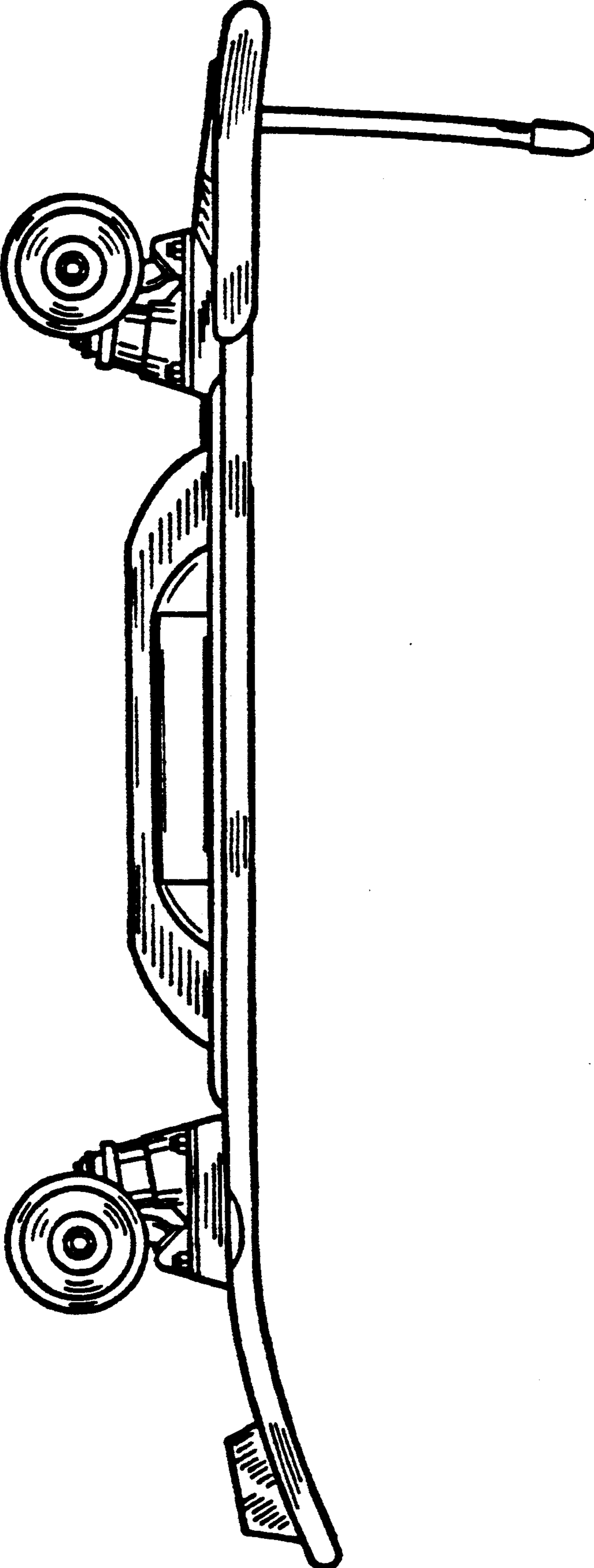


FIG. 5

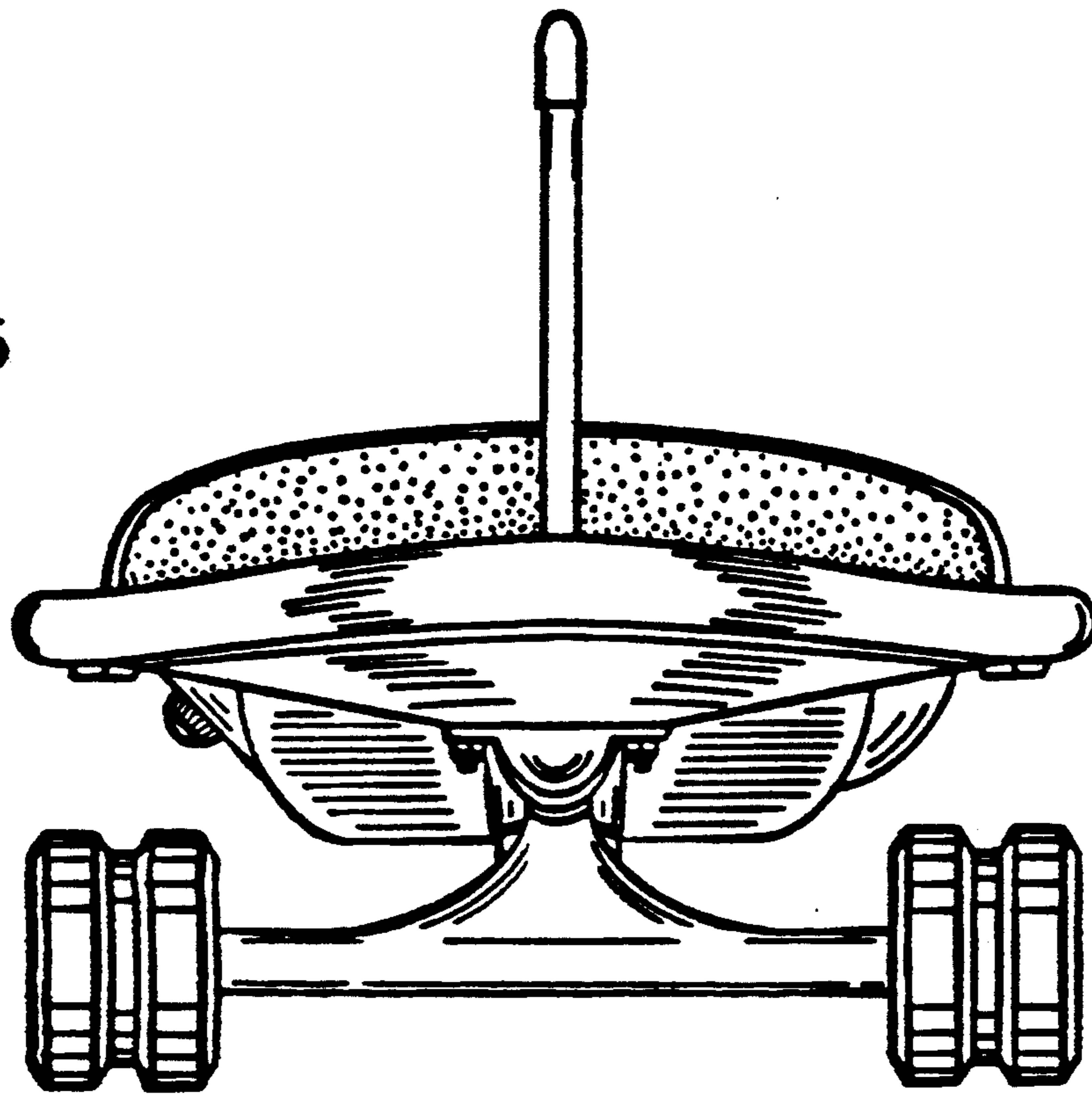


FIG. 6

