



US00D355945S

United States Patent [19]

[11] Patent Number: **Des. 355,945**

Homma

[45] Date of Patent: **** Feb. 28, 1995**

[54] **GRASS SKI**
[75] Inventor: **Akira Homma**, Tokamachi, Japan
[73] Assignee: **Homma Kagaku Kabushiki Kaisha**, Tokamachi, Japan

3,926,449 12/1975 Wilje 280/842
4,445,699 5/1984 Darasko 280/87.041
4,681,333 7/1987 Rouge 280/87.042
4,768,793 9/1988 Spencer 280/842
5,251,934 10/1993 Gates 280/842

[**] Term: **14 Years**
[21] Appl. No.: **7,703**
[22] Filed: **Apr. 30, 1993**

FOREIGN PATENT DOCUMENTS

0571629 7/1992 European Pat. Off. 280/11.22

[30] **Foreign Application Priority Data**
Feb. 24, 1993 [JP] Japan 5-5151
[52] U.S. Cl. **D21/227**
[58] Field of Search D21/141, 224-228,
D21/71, 81; D12/135, 147, 150, 151; 280/1.13,
1.22, 11.2, 11.19, 11.22, 87.041, 87.042, 842,
843; 446/431

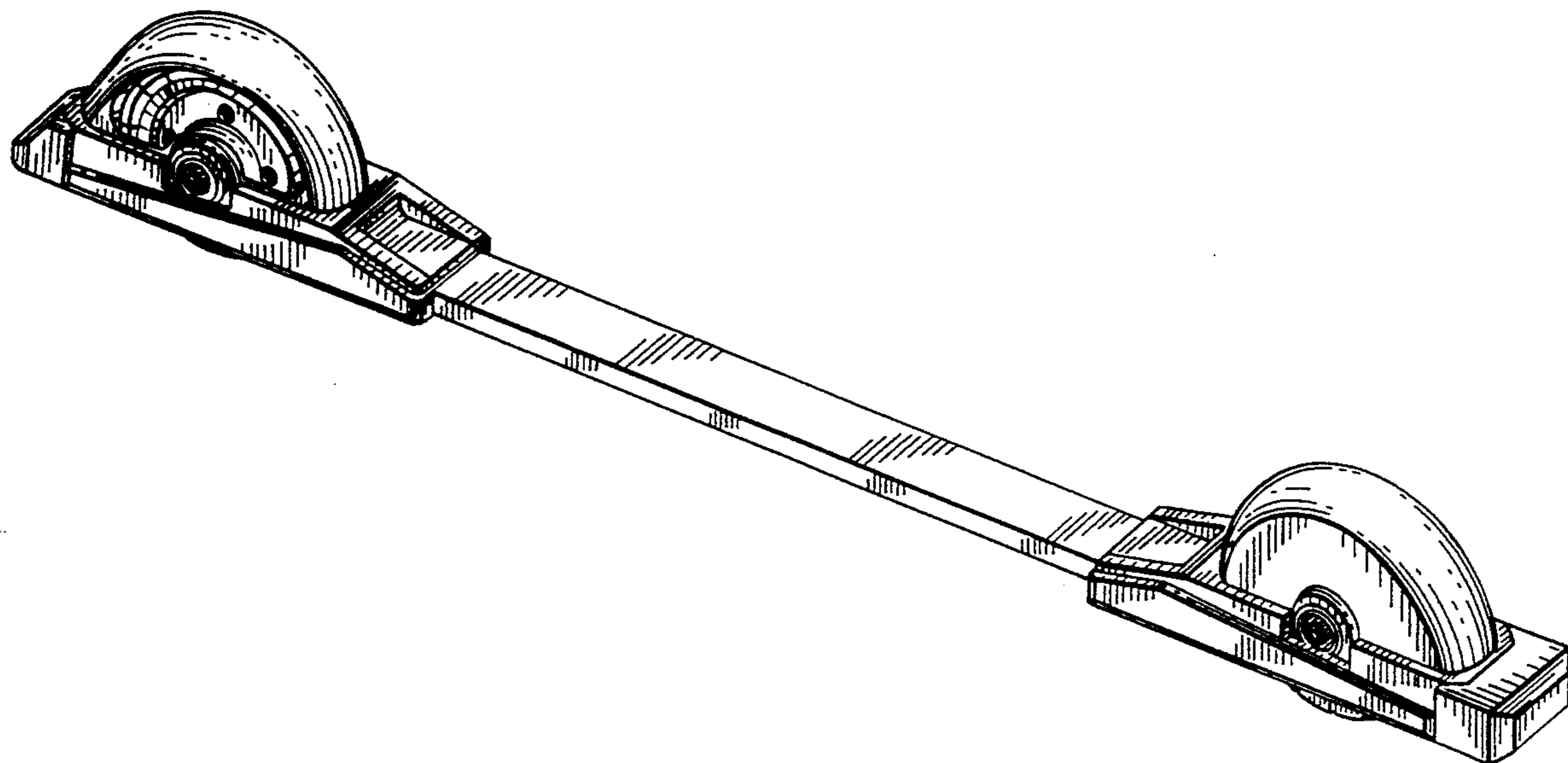
Primary Examiner—Bernard Ansher
Assistant Examiner—R. Barkai
Attorney, Agent, or Firm—Ladas & Parry

[57] **CLAIM**
The ornamental design for grass ski, as shown.

DESCRIPTION

FIG. 1 is a top/right side/front perspective view of a grass ski showing my new design;
FIG. 2 is a front elevational view thereof;
FIG. 3 is a rear elevational view thereof;
FIG. 4 is a top view thereof;
FIG. 5 is a bottom view thereof;
FIG. 6 is a right side elevational view thereof; and,
FIG. 7 is a left side elevational view thereof.

[56] **References Cited**
U.S. PATENT DOCUMENTS
1,854,188 4/1932 Gregory D21/224
2,545,543 3/1951 Bottrill 280/11.2



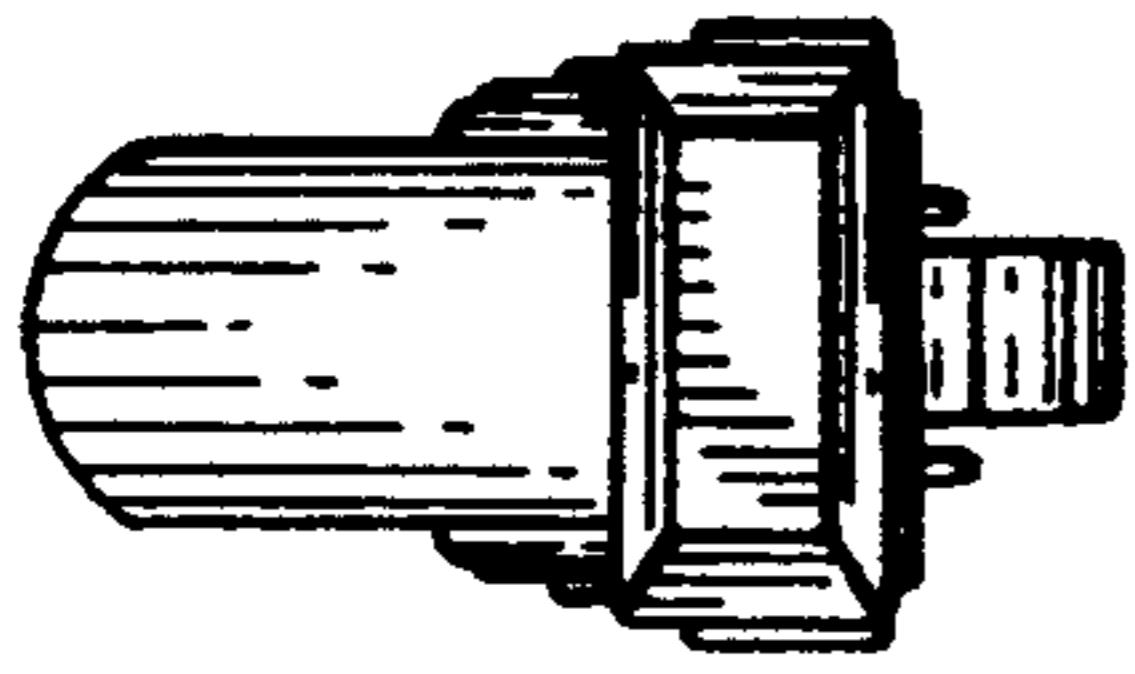


FIG. 2

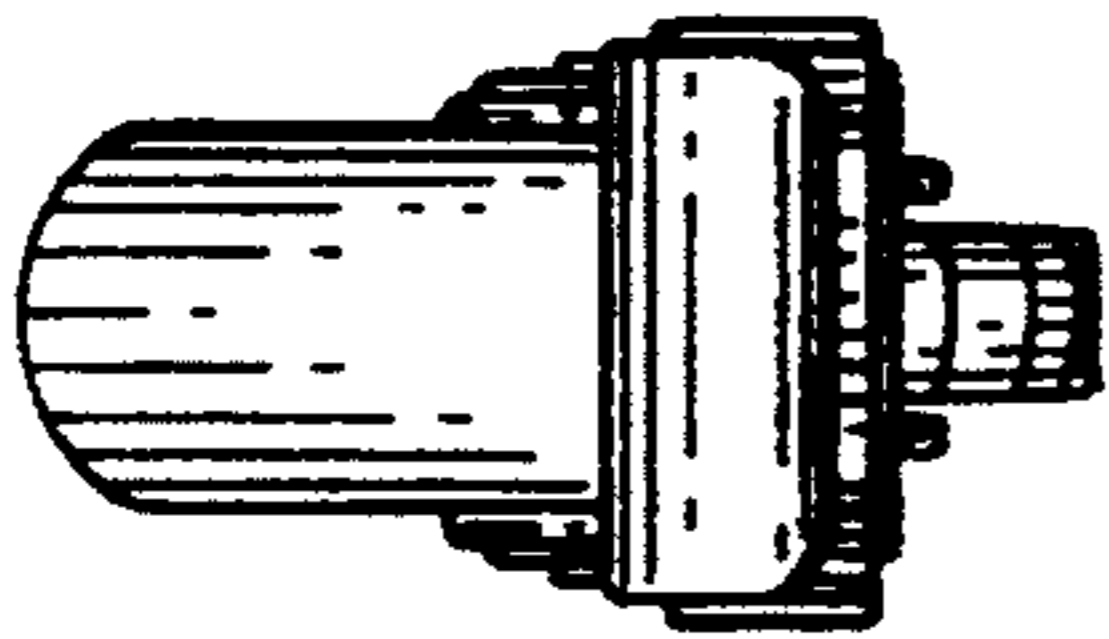


FIG. 3

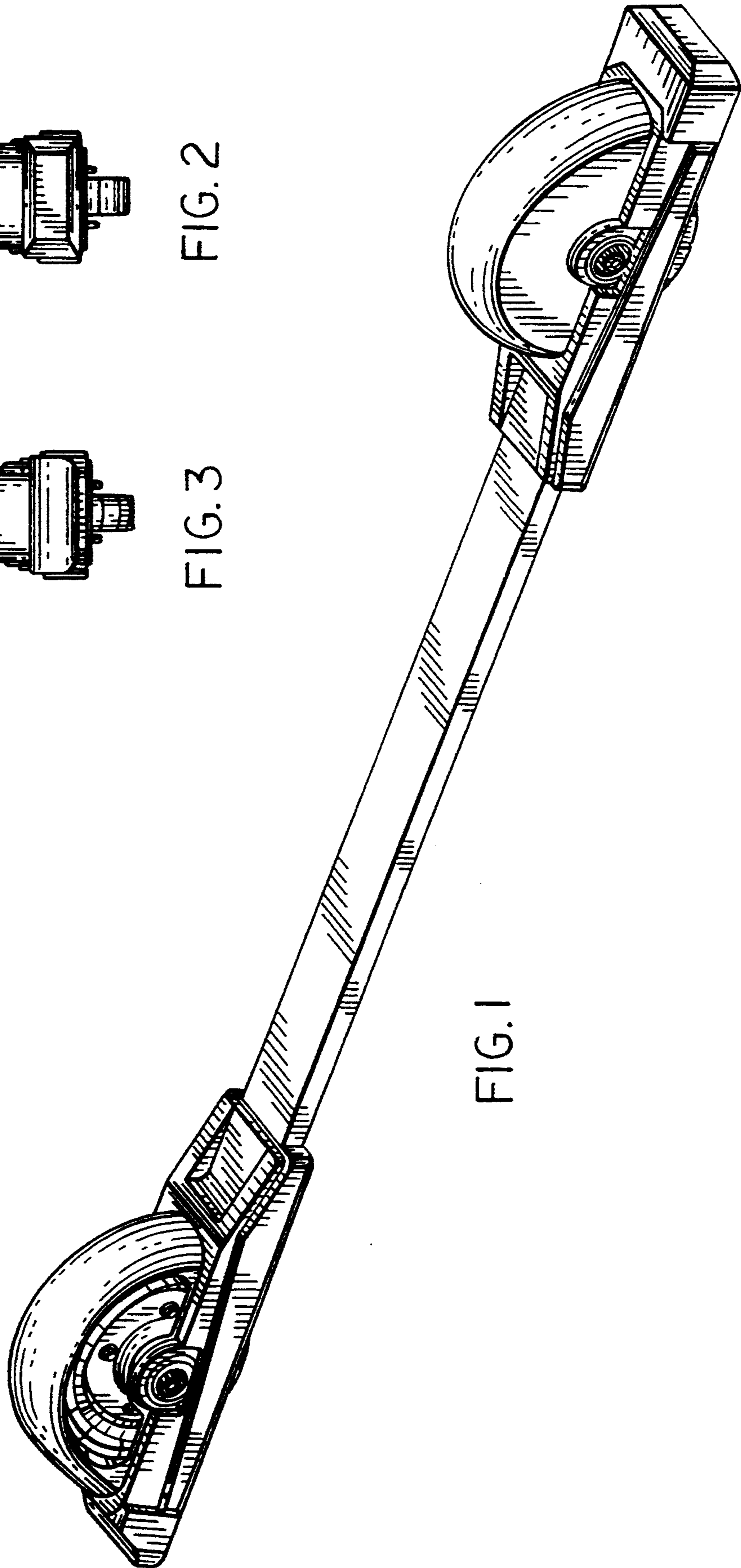


FIG. 1

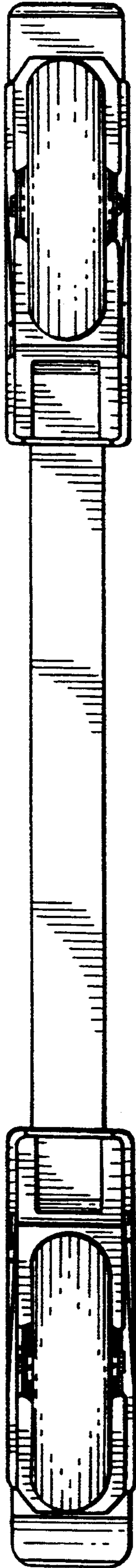


FIG. 4

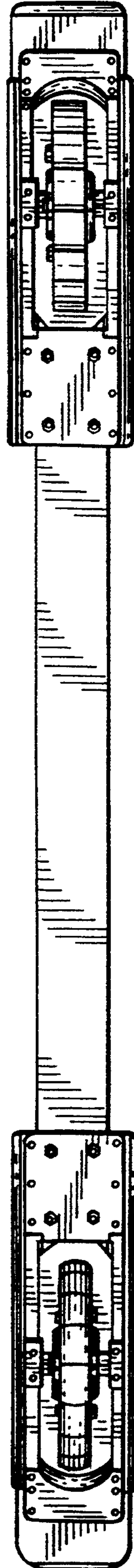


FIG. 5

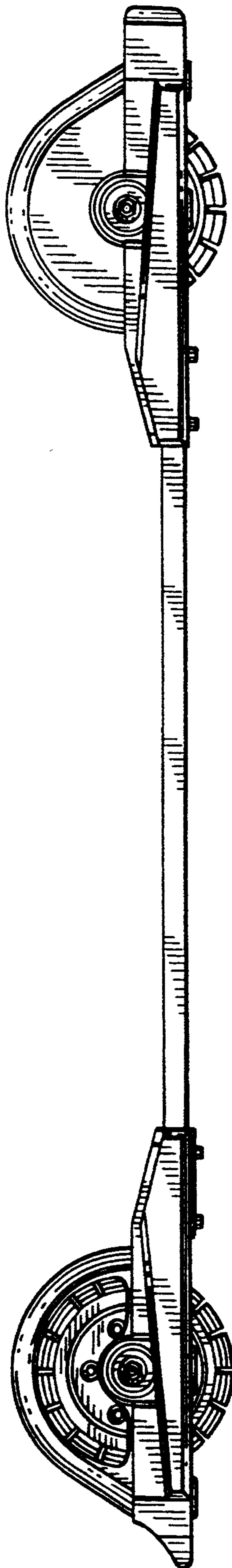


FIG. 6

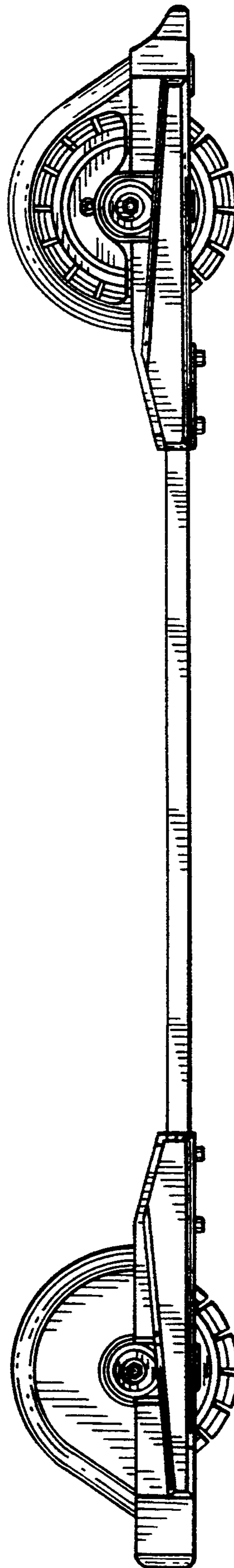


FIG. 7