



US00D355938S

United States Patent [19]

[11] Patent Number: **Des. 355,938**

Kino

[45] Date of Patent: **** Feb. 28, 1995**

- [54] **TOY SAND WHEEL**
- [75] Inventor: **Moriya Kino**, Yokohama, Japan
- [73] Assignee: **Royal Co., Ltd.**, Tokyo, Japan
- [**] Term: **14 Years**
- [21] Appl. No.: **16,919**
- [22] Filed: **Dec. 29, 1993**
- [52] U.S. Cl. **D21/59**
- [58] Field of Search **D21/59, 92; D32/54;**
446/176, 180, 201, 217, 218, 236

7177, 7159, 7179, 7155, 7178 and 7156, issued 1989 by Wader.
 Catalogue including Product's Nos. 004473, 004466, 004558 and 004572, issued 1989 by Gowl.
 Catalogue "SUNNY PARK" including product's Nos. 1391 and 1877, issued 1993-1994 by Royal Co., Ltd.

Primary Examiner—Bernard Ansher
Assistant Examiner—Dominic Simone
Attorney, Agent, or Firm—Ostrolenk, Faber, Gerb & Soffen

[56] **References Cited**

U.S. PATENT DOCUMENTS

- D. 259,887 7/1981 Croushore D21/59
- D. 291,709 9/1987 Davis D21/59
- 1,693,057 11/1928 Scott 446/217

OTHER PUBLICATIONS

Catalogue including "F (ACTIVITY BUCKET)", issued 1993 by Early Learning Centre.
 Catalogue including Product's Nos. 71542, 7154, 71541,

[57] **CLAIM**

The ornamental design for a toy sand wheel, as shown and described.

DESCRIPTION

FIG. 1 is a front elevational view of a toy sand wheel showing my new design, the rear being a mirror image and the pail shown in broken lines for illustrative purposes only;
 FIG. 2 is a left side elevational view thereof;
 FIG. 3 is a right side elevational view thereof;
 FIG. 4 is a top plan view thereof; and,
 FIG. 5 is a bottom plan view thereof.

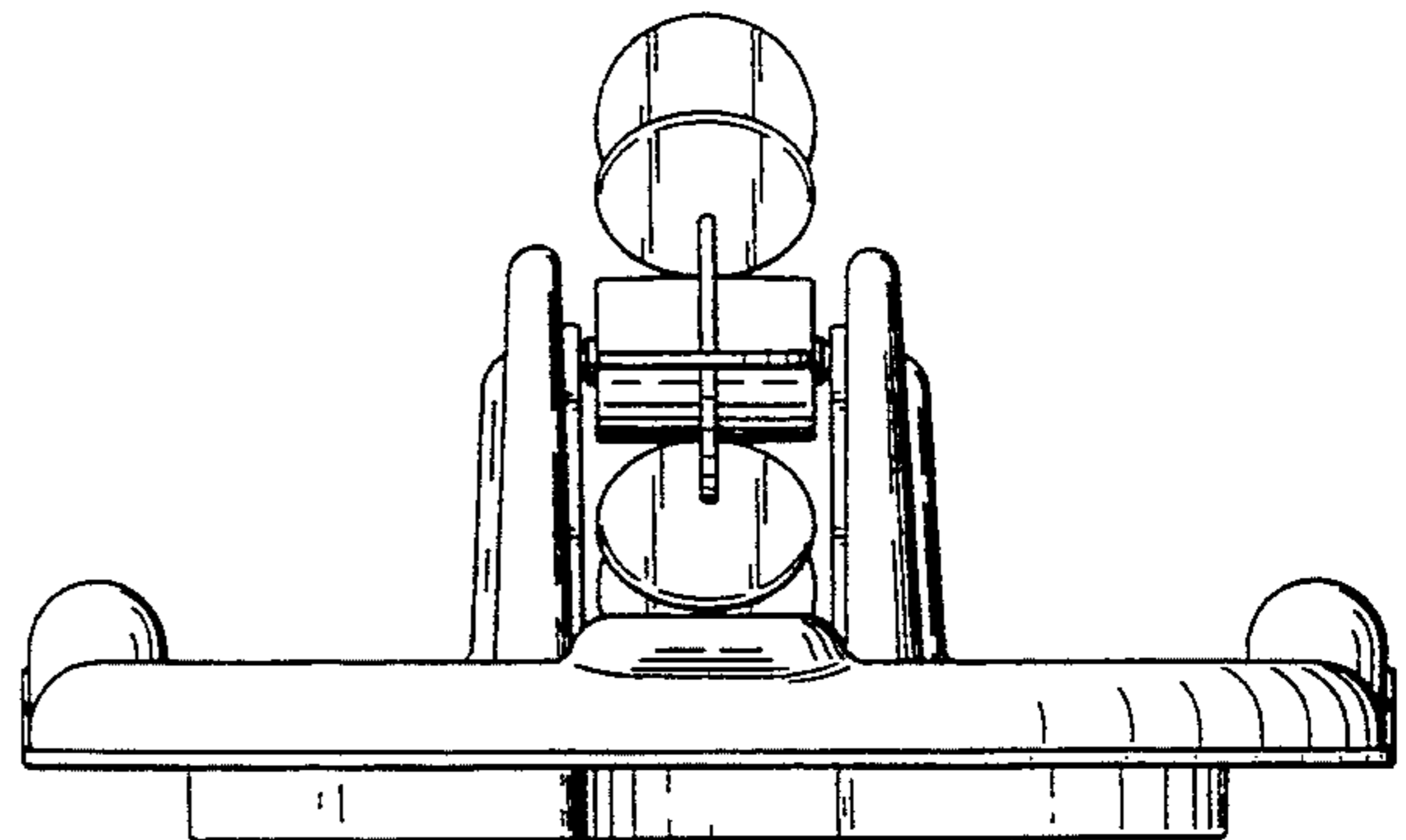
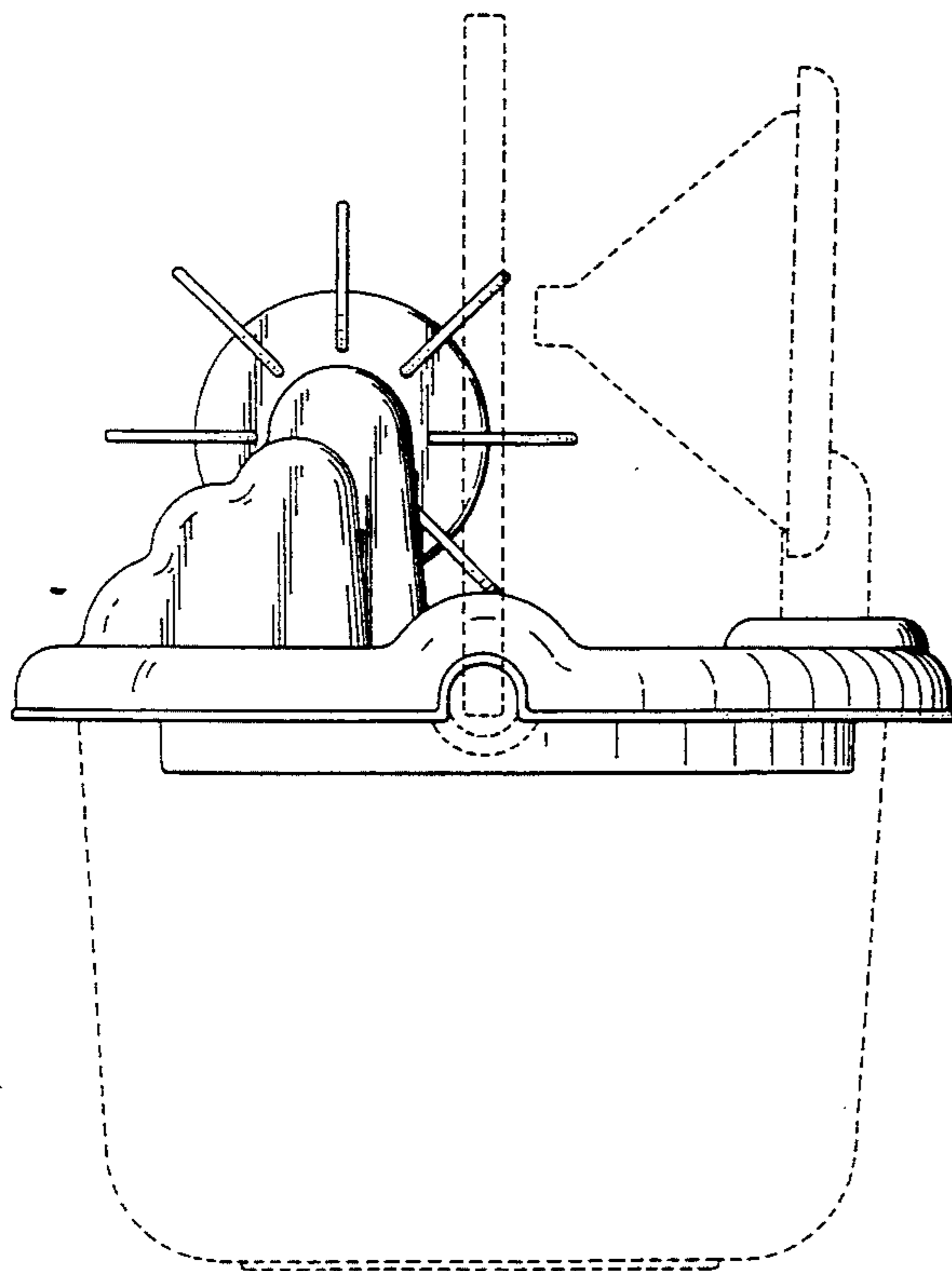


Fig. 1

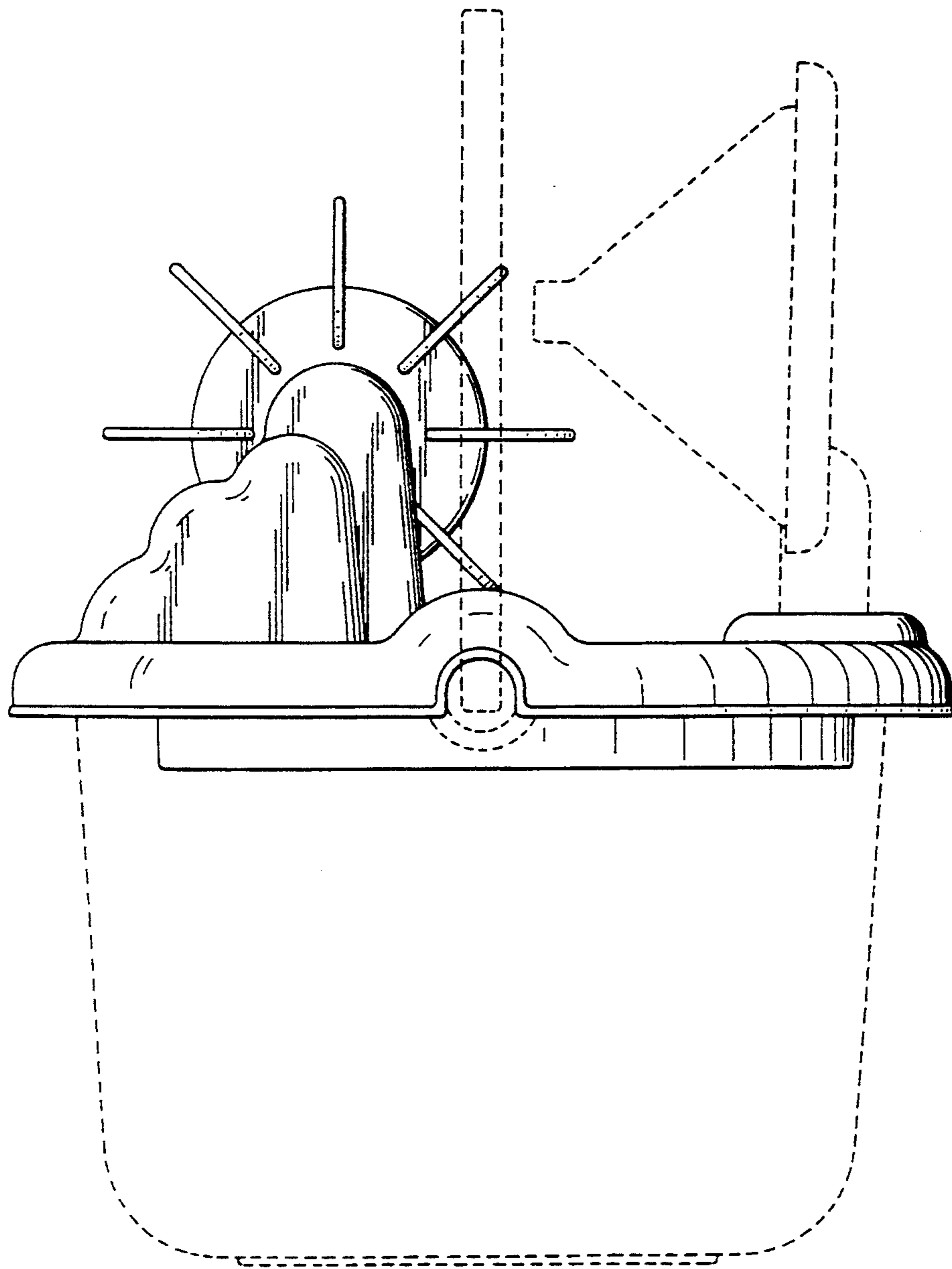


Fig. 2

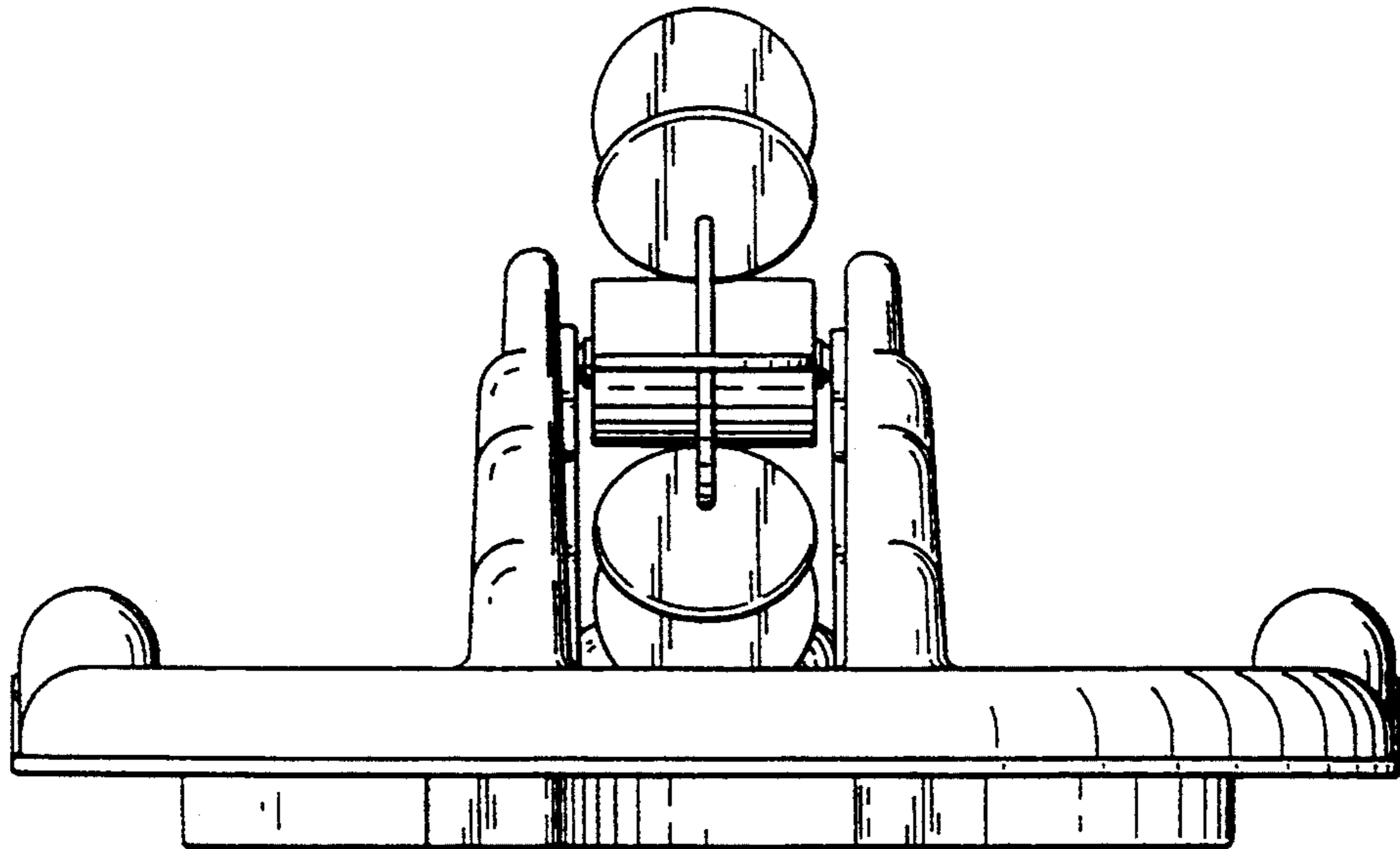


Fig. 3

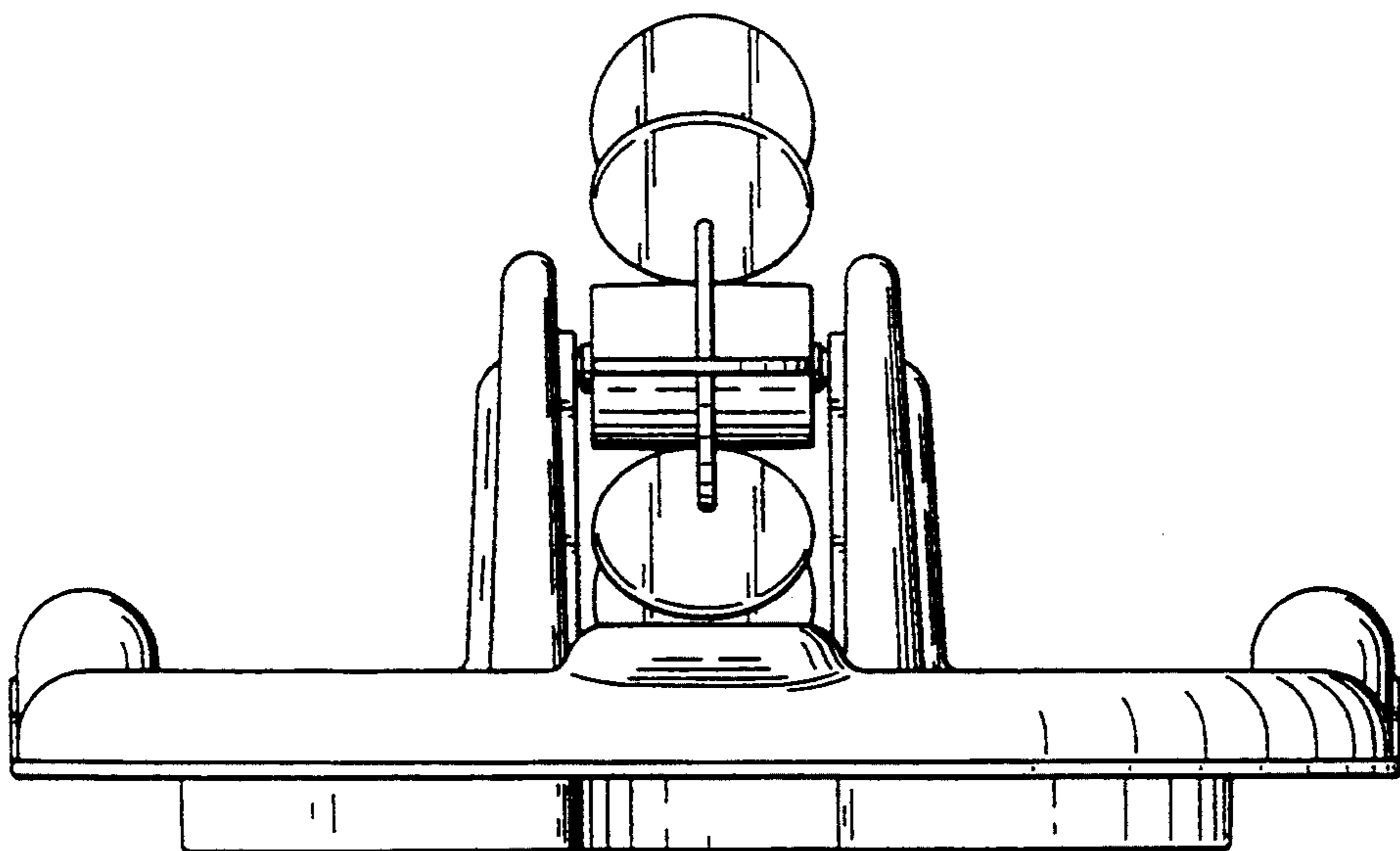


Fig. 4

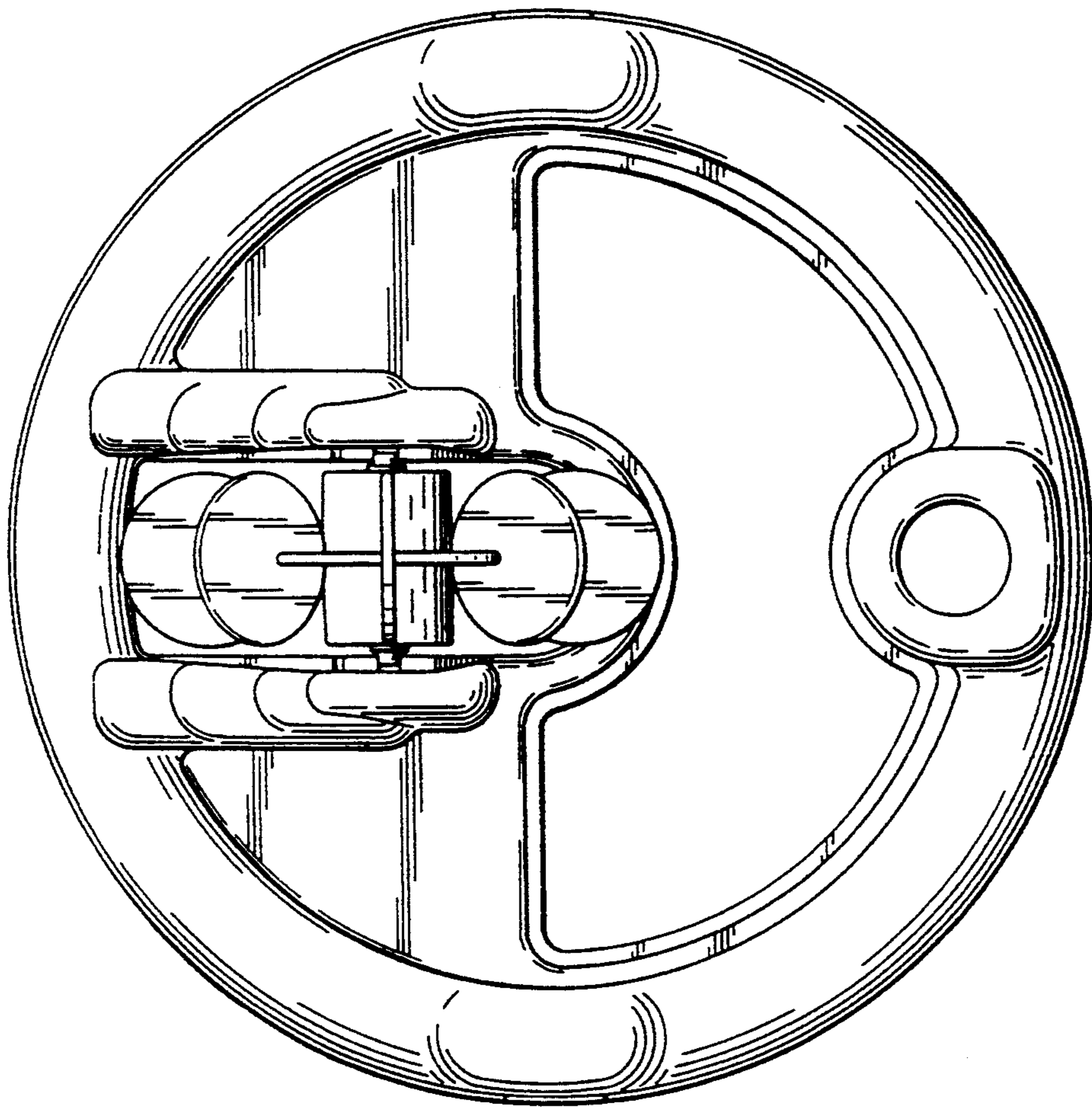


Fig. 5

