



US00D355936S

# United States Patent [19] Boyd

[11] Patent Number: **Des. 355,936**

[45] Date of Patent: **\*\* Feb. 28, 1995**

[54] **BALL PROJECTOR**

[75] Inventor: **Melvin L. Boyd, Columbus, Miss.**

[73] Assignee: **Lan-Cor, Inc., Brooksville, Miss.**

[\*\*] Term: **14 Years**

[21] Appl. No.: **14,340**

[22] Filed: **Oct. 20, 1993**

[52] U.S. Cl. .... **D21/2**

[58] Field of Search ..... **D21/1, 2, 5, 90, 91;**  
**273/26 R, 26 D, 26 A, 29 A, 201, 181 R, 35 R;**  
**124/31, 81, 41.1**

4,955,606 9/1990 Leps .

5,042,802 8/1991 Depianta .

5,066,010 11/1991 Pingston .

5,087,039 2/1992 Laseke .

5,097,985 3/1992 Jones .

5,107,820 4/1992 Salansky .

5,133,330 7/1992 Sharp ..... 273/26 D X

5,265,583 11/1993 Otto ..... 273/26 D X

5,294,109 3/1994 Meade ..... 273/26 D

### FOREIGN PATENT DOCUMENTS

256134A 7/1984 France .

3339622 6/1984 Germany .

*Primary Examiner*—Prabhakar G. Deshmukh  
*Attorney, Agent, or Firm*—Sixbey, Friedman, Leedom & Ferguson

[56] **References Cited**  
**U.S. PATENT DOCUMENTS**

D. 344,765 3/1994 Miller, Jr. .... D21/5

2,955,823 10/1960 Chanko .

2,955,824 10/1960 Chanko .

3,677,544 7/1972 Meyers et al. .

3,838,676 10/1974 Kahelin .

3,999,753 12/1976 Desilets et al. .

4,021,036 5/1977 Nelson et al. .

4,021,037 5/1977 Torbet .

4,132,214 1/1979 Schnurr et al. .

4,538,810 9/1985 Brophy .

4,548,407 10/1985 Sato .

4,676,504 6/1987 Ponza .

4,830,372 5/1989 Outlaw et al. .

4,844,458 7/1989 Gatcher et al. .... 273/26 D X

[57] **CLAIM**

The ornamental design for a ball projector, as shown and described.

### DESCRIPTION

FIG. 1 is a perspective view of a ball projector showing my new design;

FIG. 2 is a front elevational view thereof;

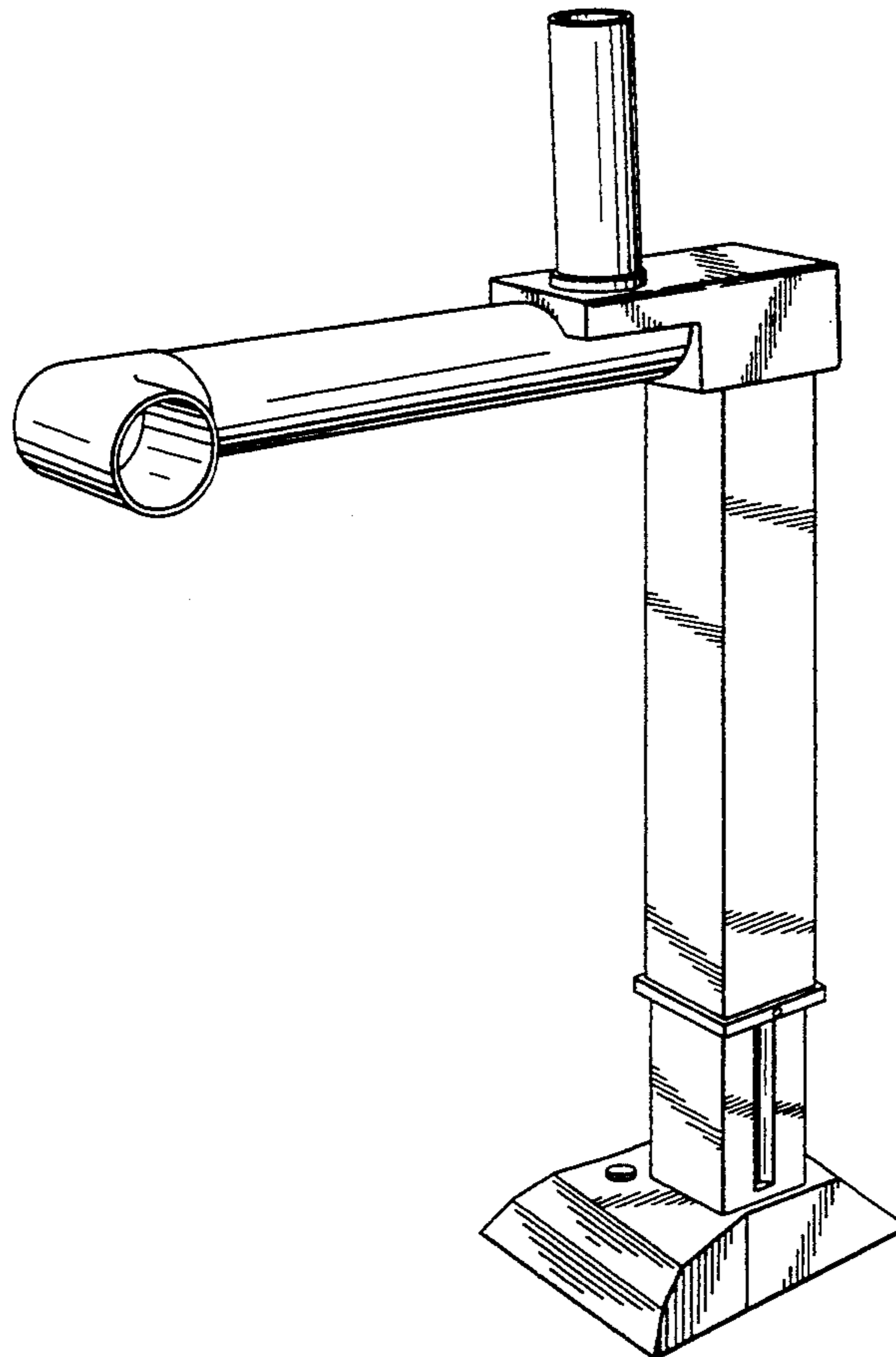
FIG. 3 is a rear elevational view thereof;

FIG. 4 is a left side elevational view thereof;

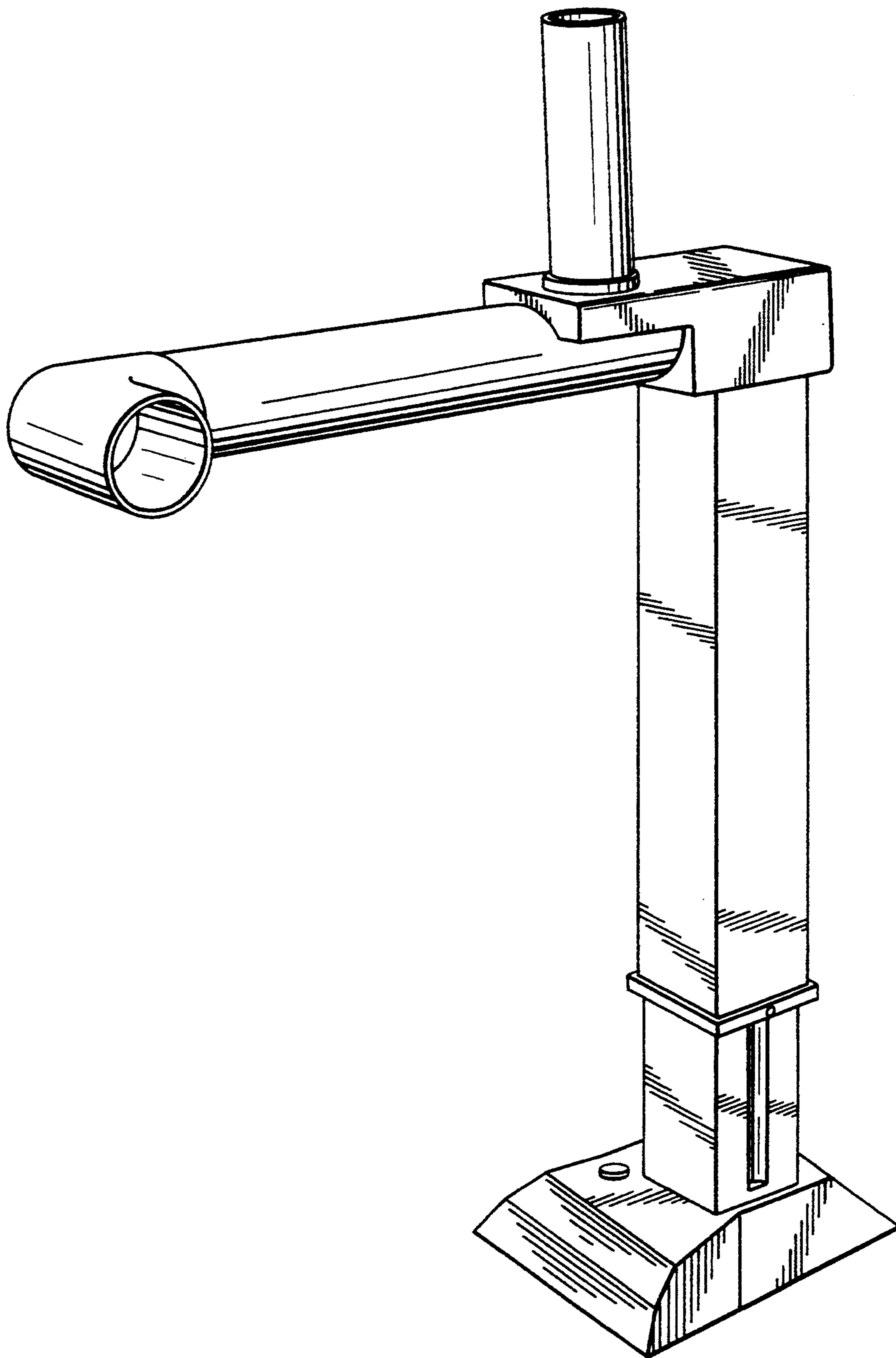
FIG. 5 is a right side elevational view thereof;

FIG. 6 is a top plan view thereof; and,

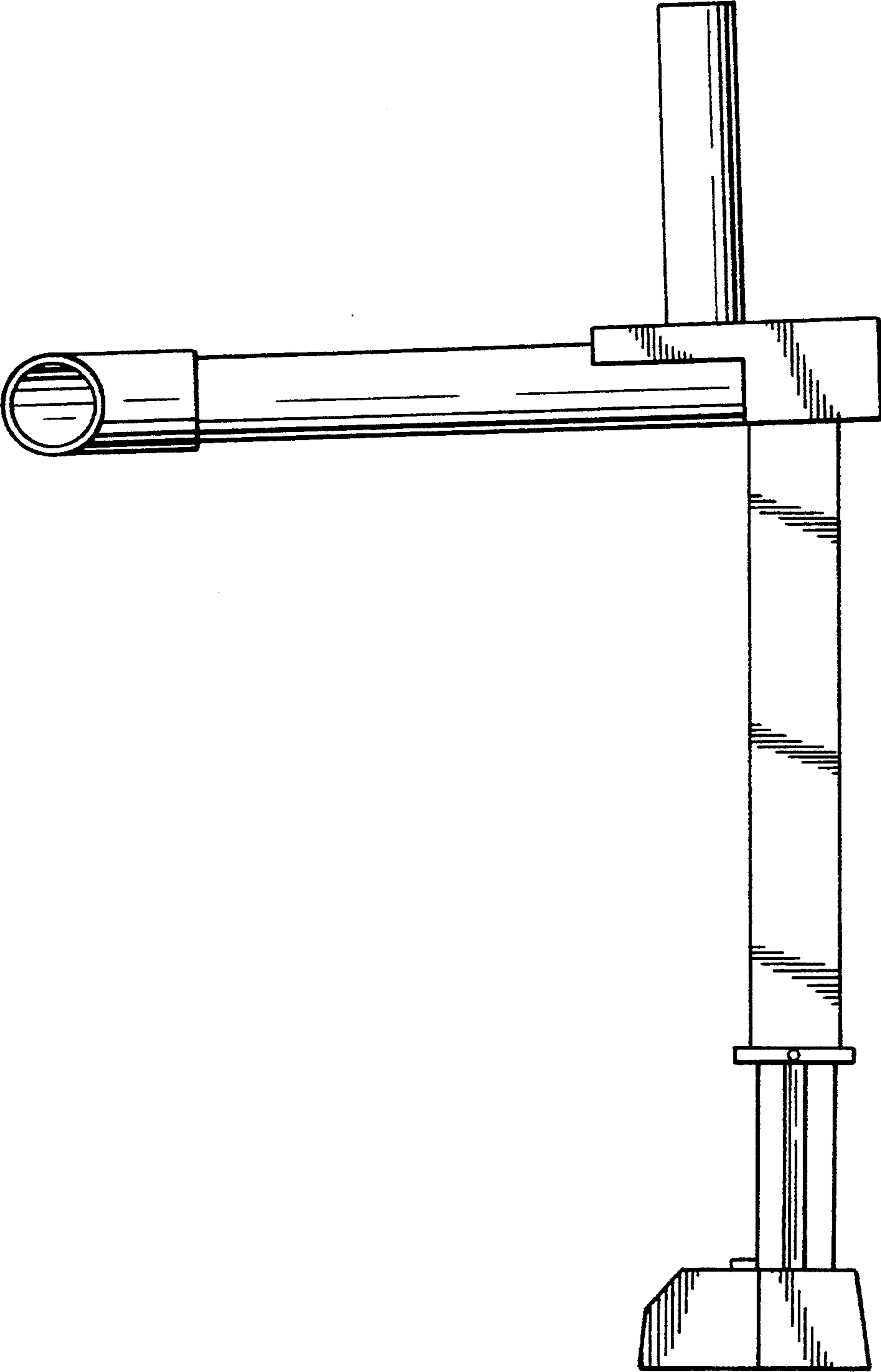
FIG. 7 is a bottom plan view thereof.



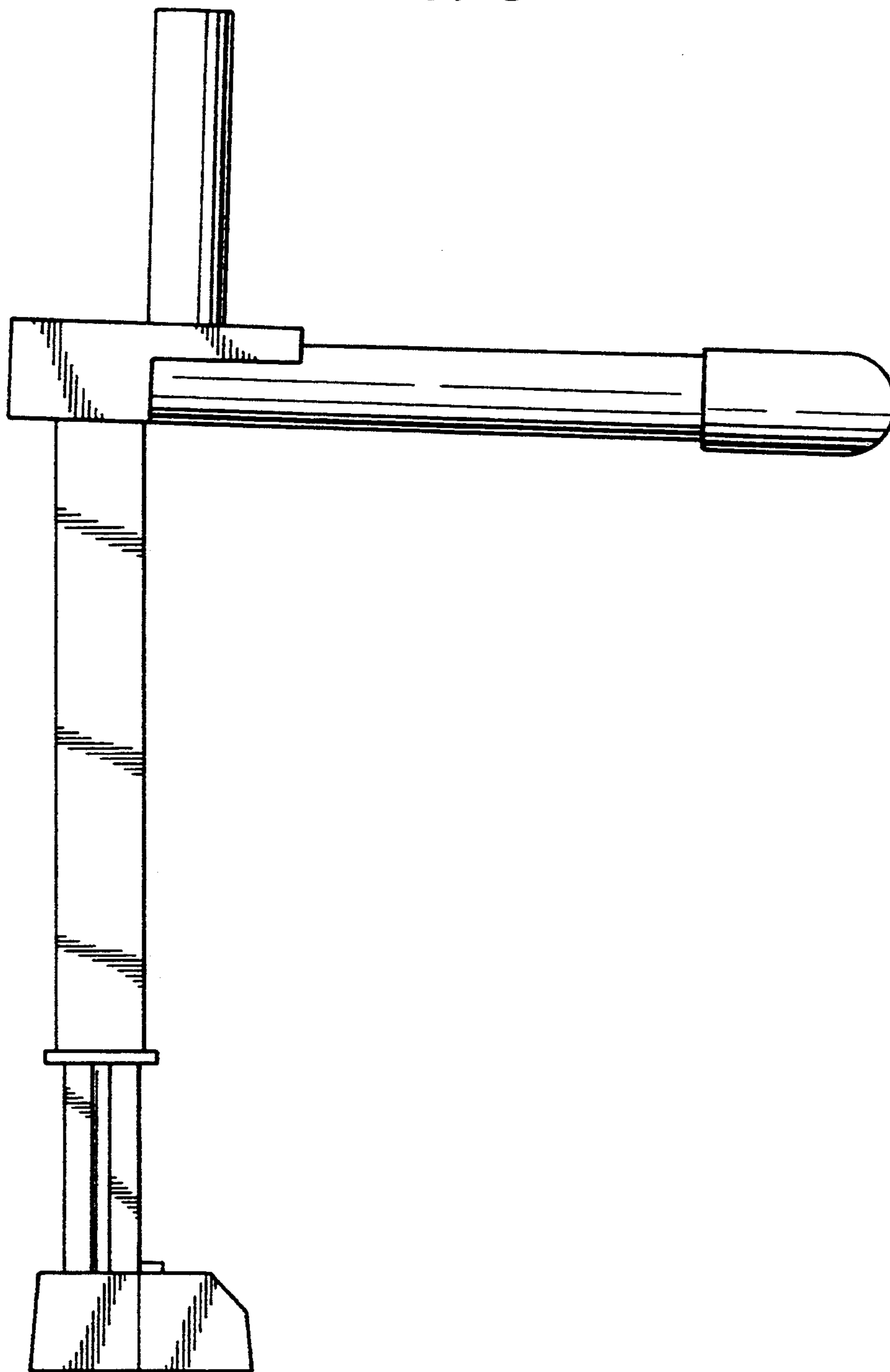
*FIG. 1*



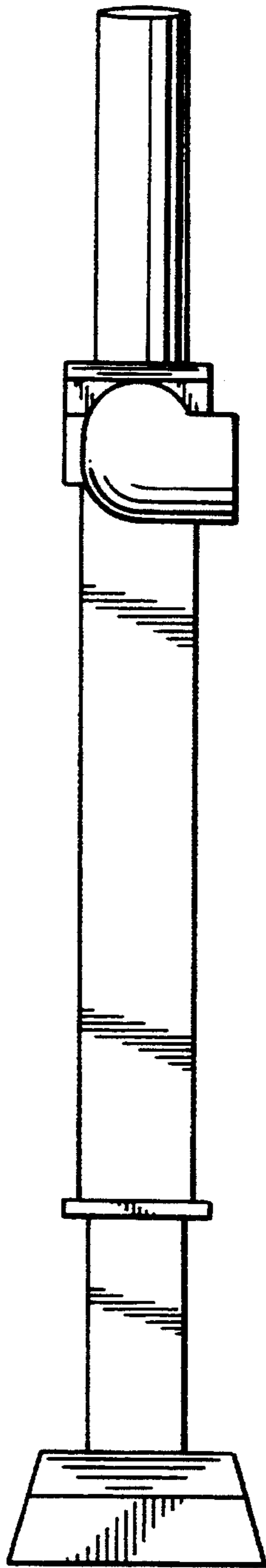
*FIG. 2*



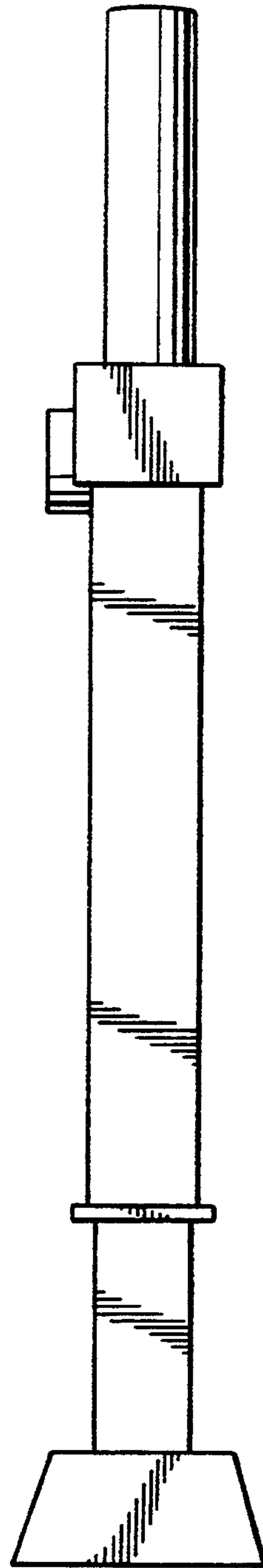
*FIG. 3*



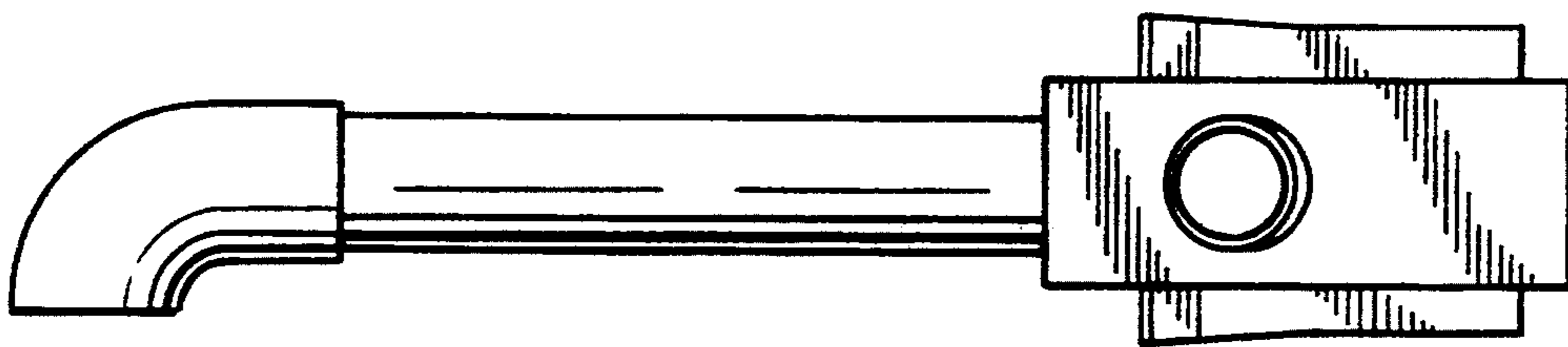
**FIG. 4**



**FIG. 5**



*FIG. 6*



*FIG. 7*

