



US00D355934S

United States Patent [19]

[11] Patent Number: **Des. 355,934**

Oga et al.

[45] Date of Patent: **** Feb. 28, 1995**

[54] **COMBINED HOLDER AND DISPENSER FOR CORRECTION TAPE**

2,582,979	1/1952	Fritzinger	D19/69 X
3,902,956	9/1975	Thompson, Jr.	156/523
4,238,271	2/1980	Urushizaki	156/523
4,486,263	12/1984	Gomez	156/523

[75] Inventors: **Youzi Oga; Yoshinobu Yamashita,**
both of Osaka, Japan

Primary Examiner—Nelson C. Holtje
Assistant Examiner—Martha Thompson
Attorney, Agent, or Firm—Jordan and Hamburg

[73] Assignee: **Fuji Kagakushi Kogyo Co., Ltd.,**
Osaka, Japan

[**] Term: **14 Years**

[57] CLAIM

[21] Appl. No.: **4,298**

The ornamental design for a combined holder and dispenser for correction tape, as shown and described.

[22] Filed: **Feb. 1, 1993**

DESCRIPTION

Related U.S. Application Data

[62] Division of Ser. No. 665,134, Feb. 28, 1991.

FIG. 1 is a front elevational view of a combined holder and dispenser for correction tape showing our new design;

[30] Foreign Application Priority Data

Aug. 28, 1990	[JP]	Japan	2-28949
Aug. 28, 1990	[JP]	Japan	2-28950
Feb. 19, 1991	[JP]	Japan	3-4414
Feb. 19, 1991	[JP]	Japan	3-4415

FIG. 2 is a rear elevational view thereof;

FIG. 3 is a right side elevational view thereof;

FIG. 4 is a left side elevational view thereof;

FIG. 5 is a top plan view thereof;

FIG. 6 is a bottom plan view thereof;

FIG. 7 is a bottom, right front perspective view of FIG. 1 drawn to an enlarged scale;

[52] U.S. Cl. **D19/69; D19/67**

[58] Field of Search **D19/67, 68, 69; D10/72;**
225/6, 7, 19, 25, 34, 35, 45, 56, 65, 77, 89;
156/523, 506, 510, 527

FIG. 8 is a top, left front perspective view of FIG. 1;

FIG. 9 is a bottom, rear perspective view of FIG. 1 drawn to an enlarged scale;

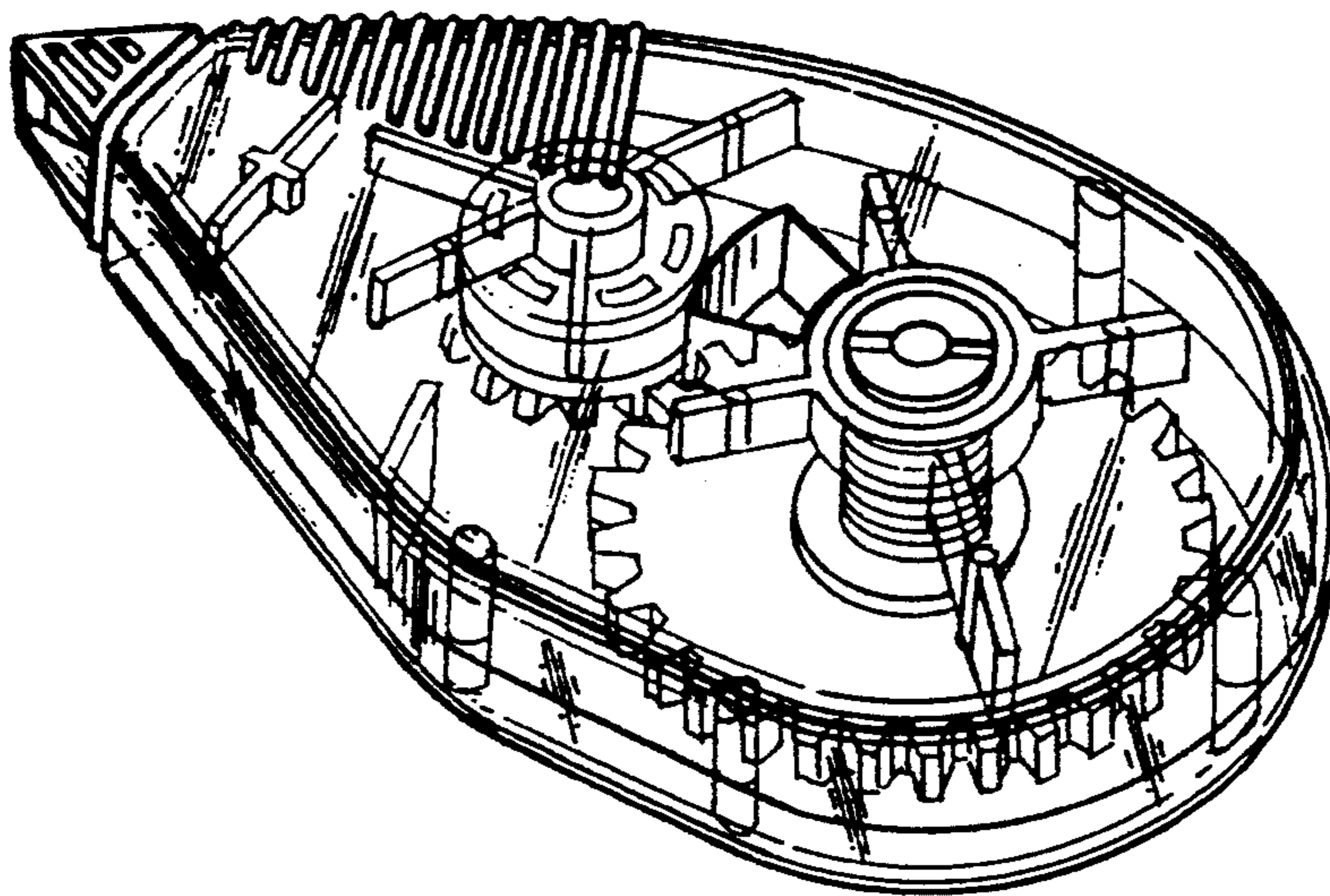
FIG. 10 is a top, right front perspective view thereof drawn to a reduced scale; and,

[56] References Cited

U.S. PATENT DOCUMENTS

Re. 14,276	3/1917	MacLaurin	156/523
D. 202,949	11/1965	Petterson	D19/69
D. 238,360	1/1976	Gibbs	D19/69
D. 311,874	11/1990	Ingram, II et al.	D10/72
D. 328,097	7/1992	Czech	D19/69

FIG. 11 is a perspective view thereof in an exploded condition.
The fragmentary showings of the hand, paper and correction tape depicted by means of broken lines in FIG. 10 have been shown for illustrative purposes only and form no part of the claimed design.



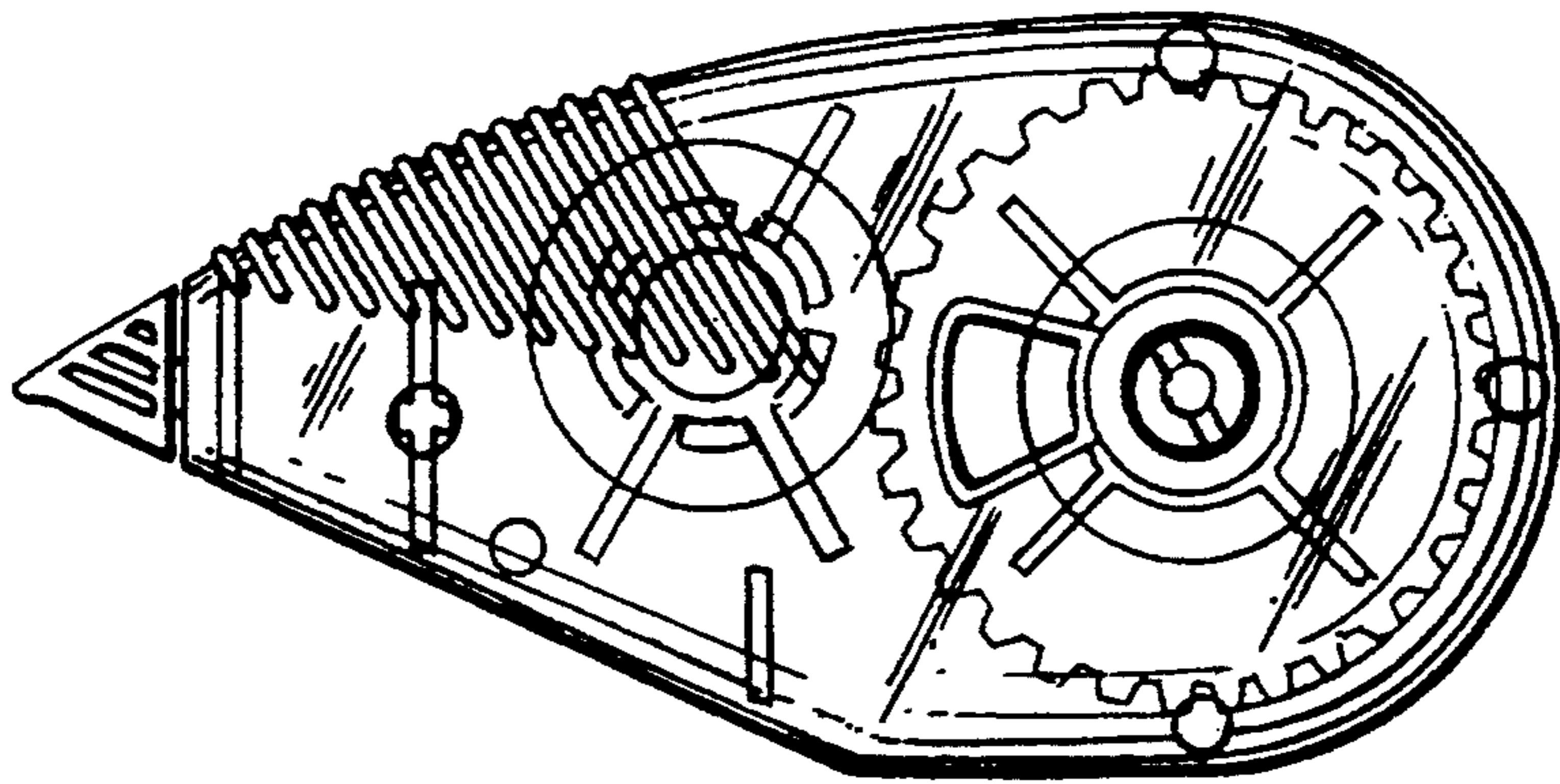


FIG. 1

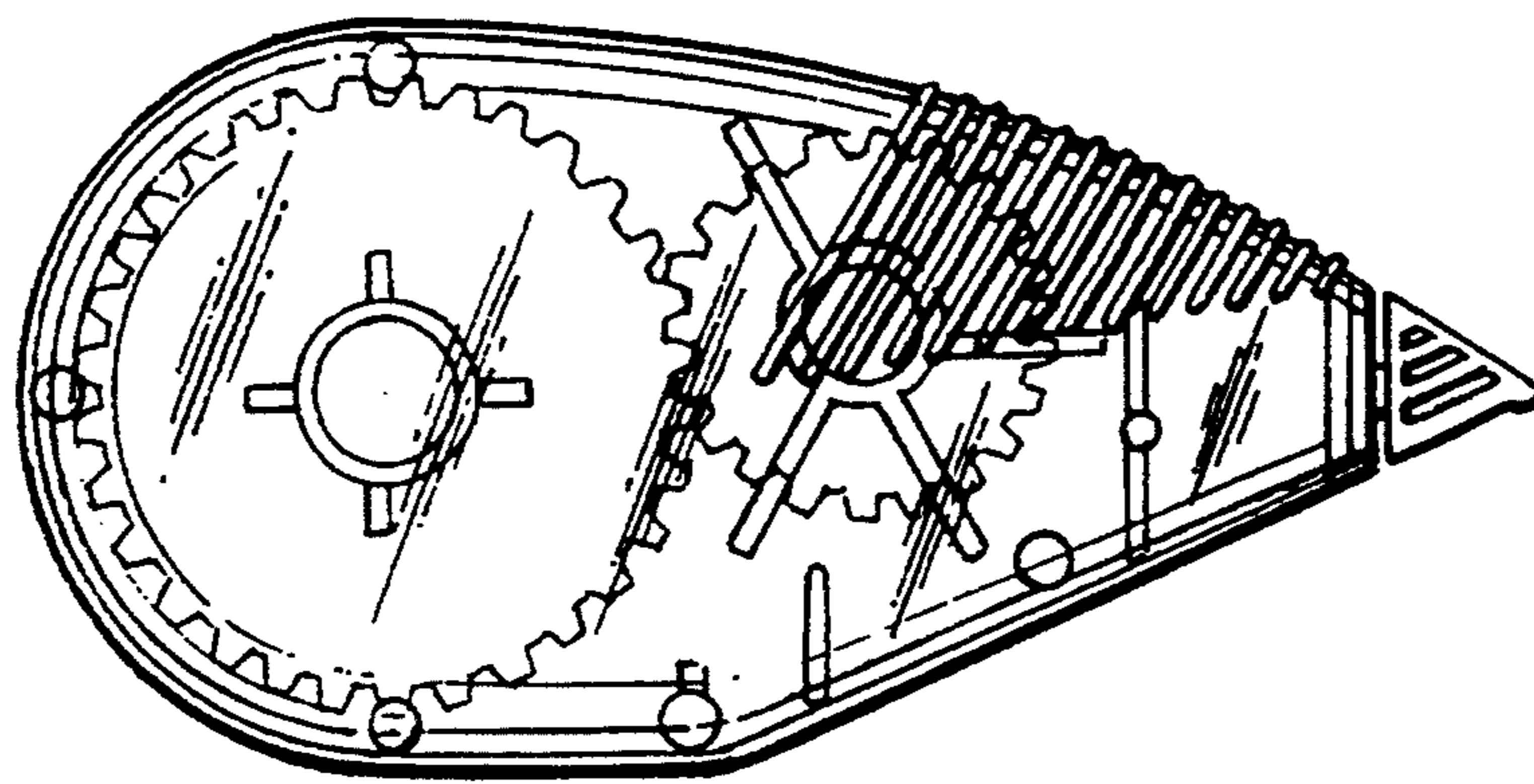


FIG. 2

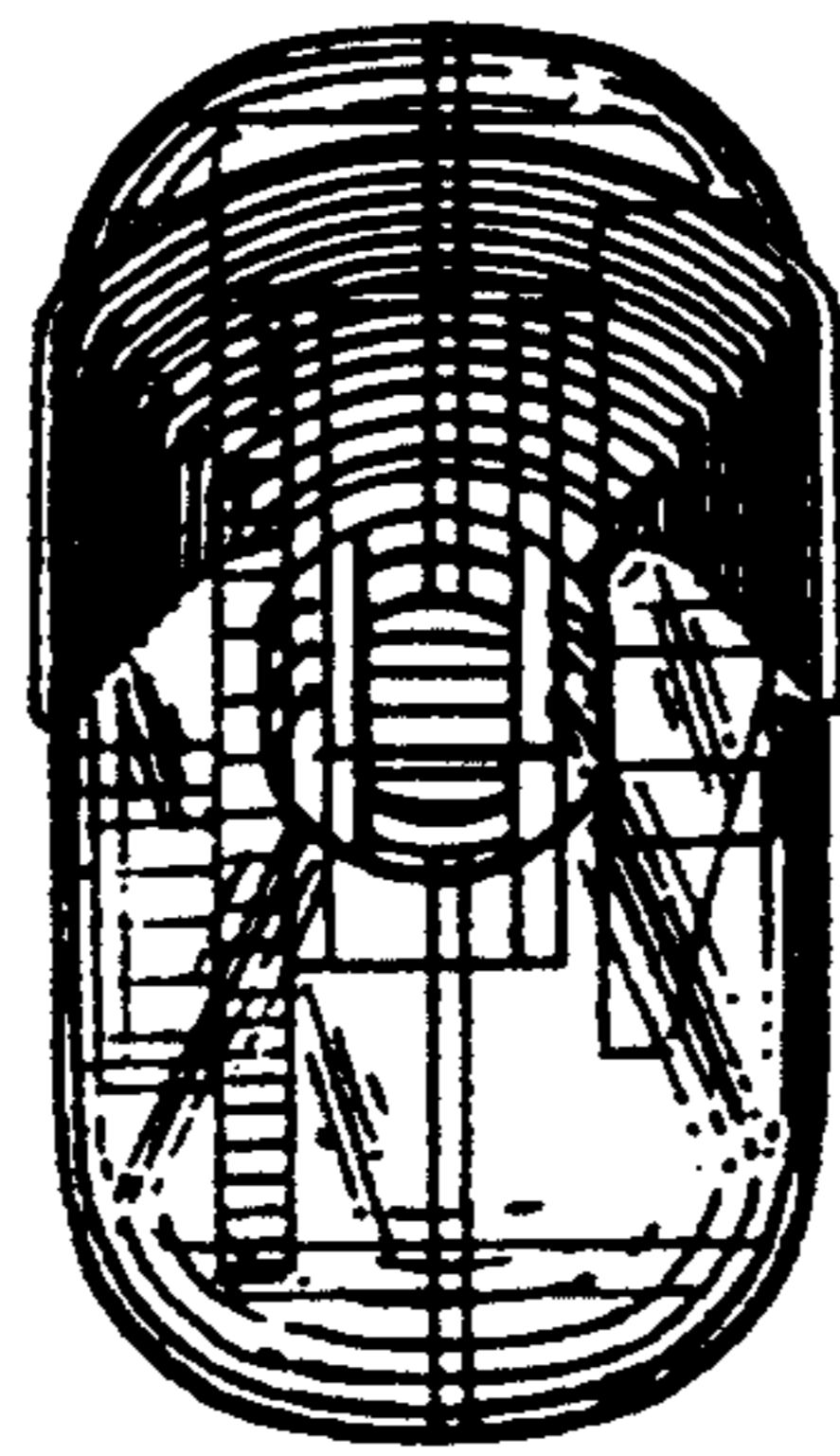


FIG. 3

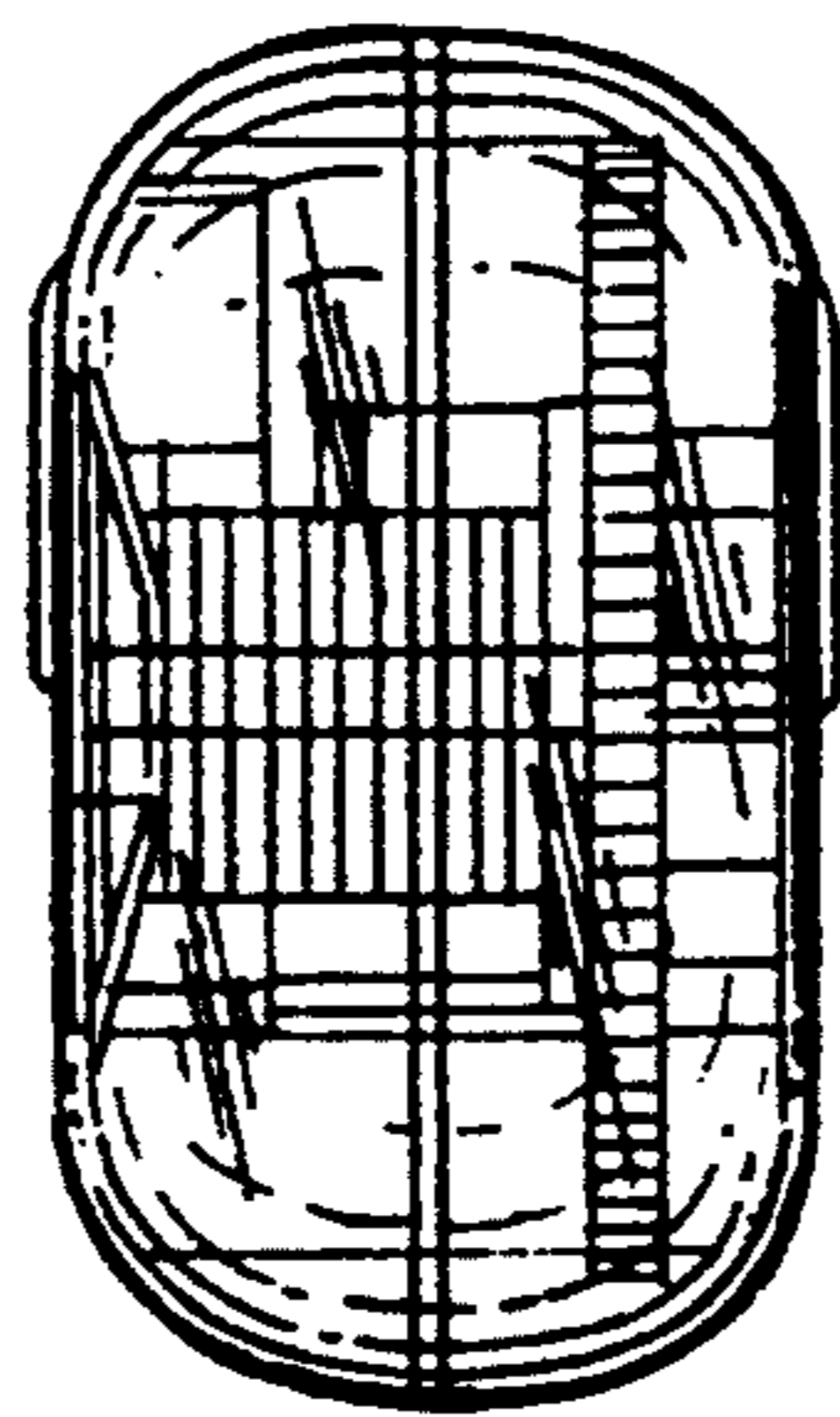


FIG. 4

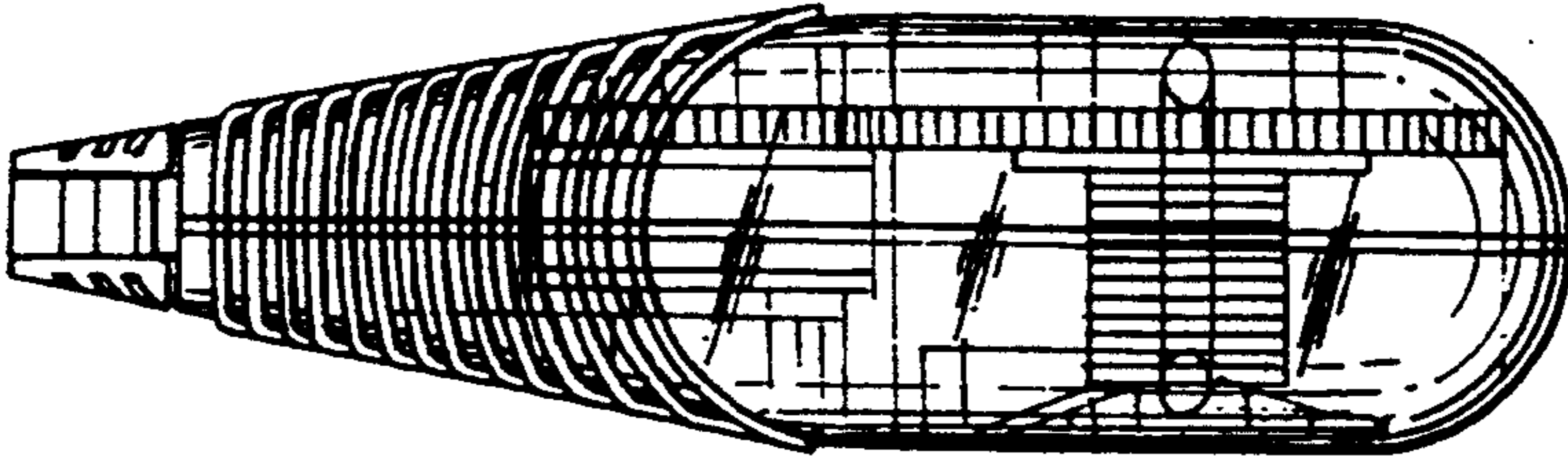


FIG. 5

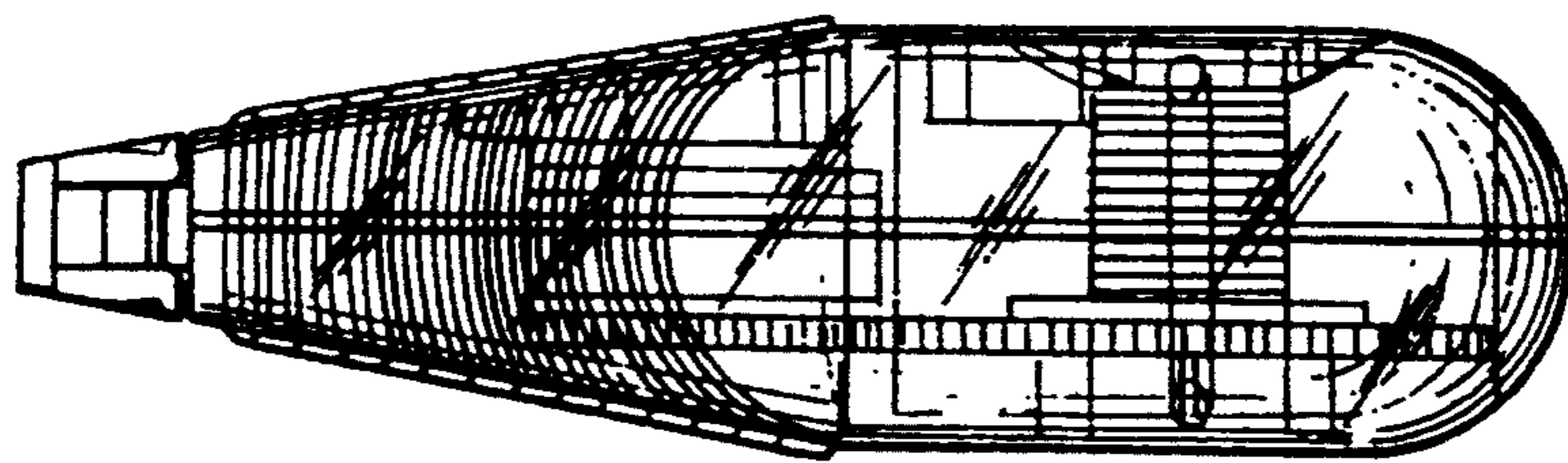


FIG. 6

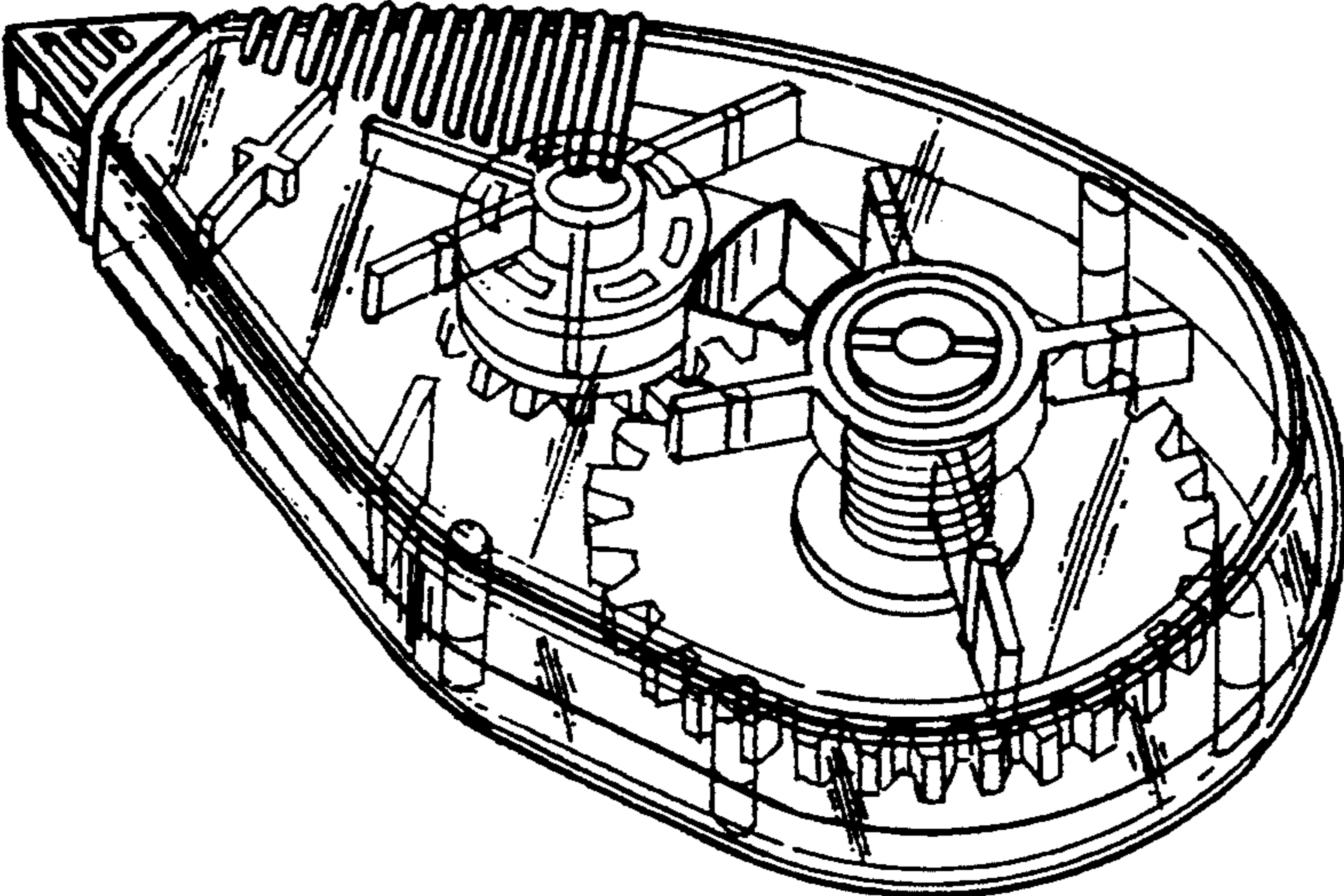


FIG. 7

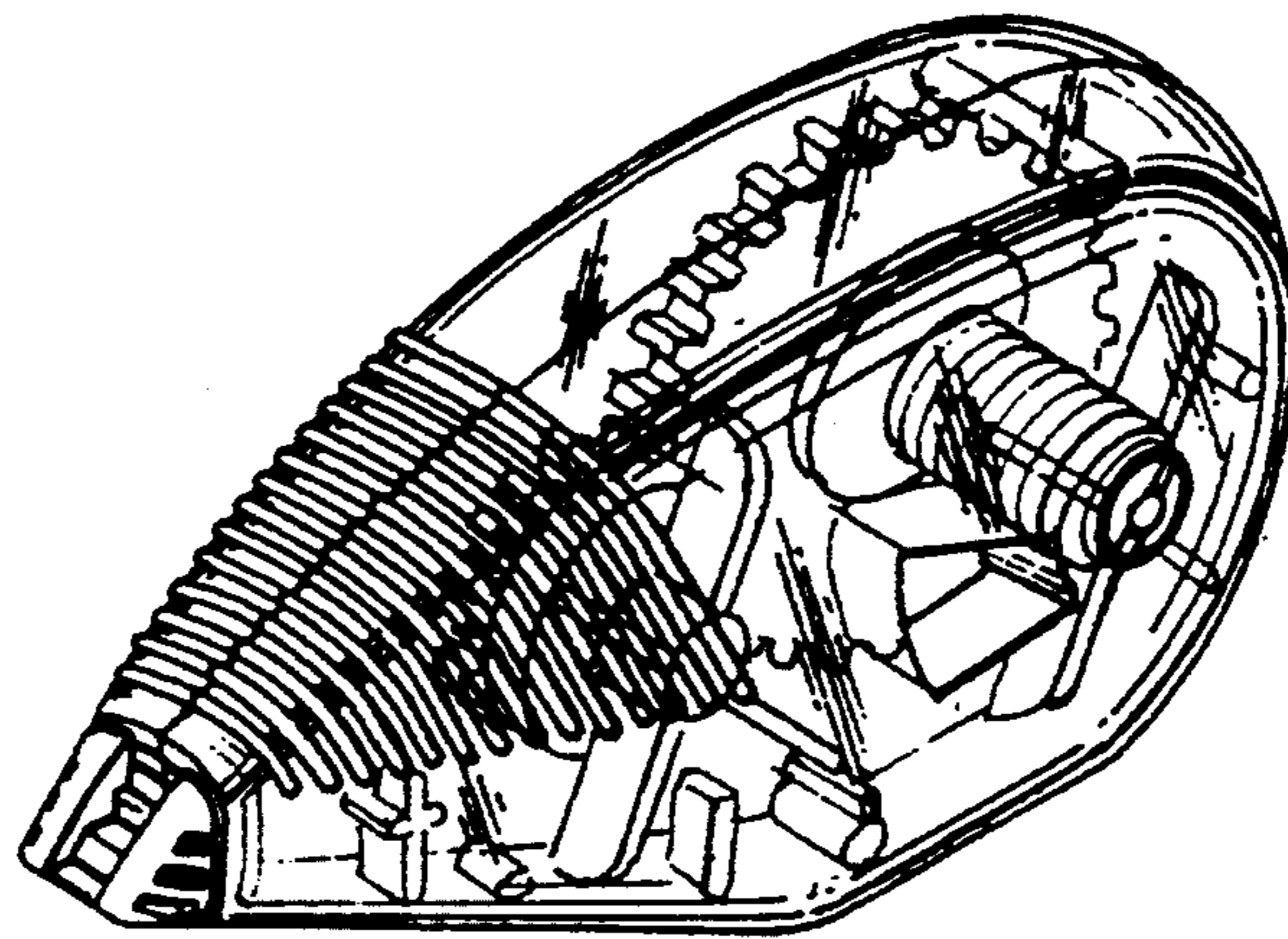


FIG. 8

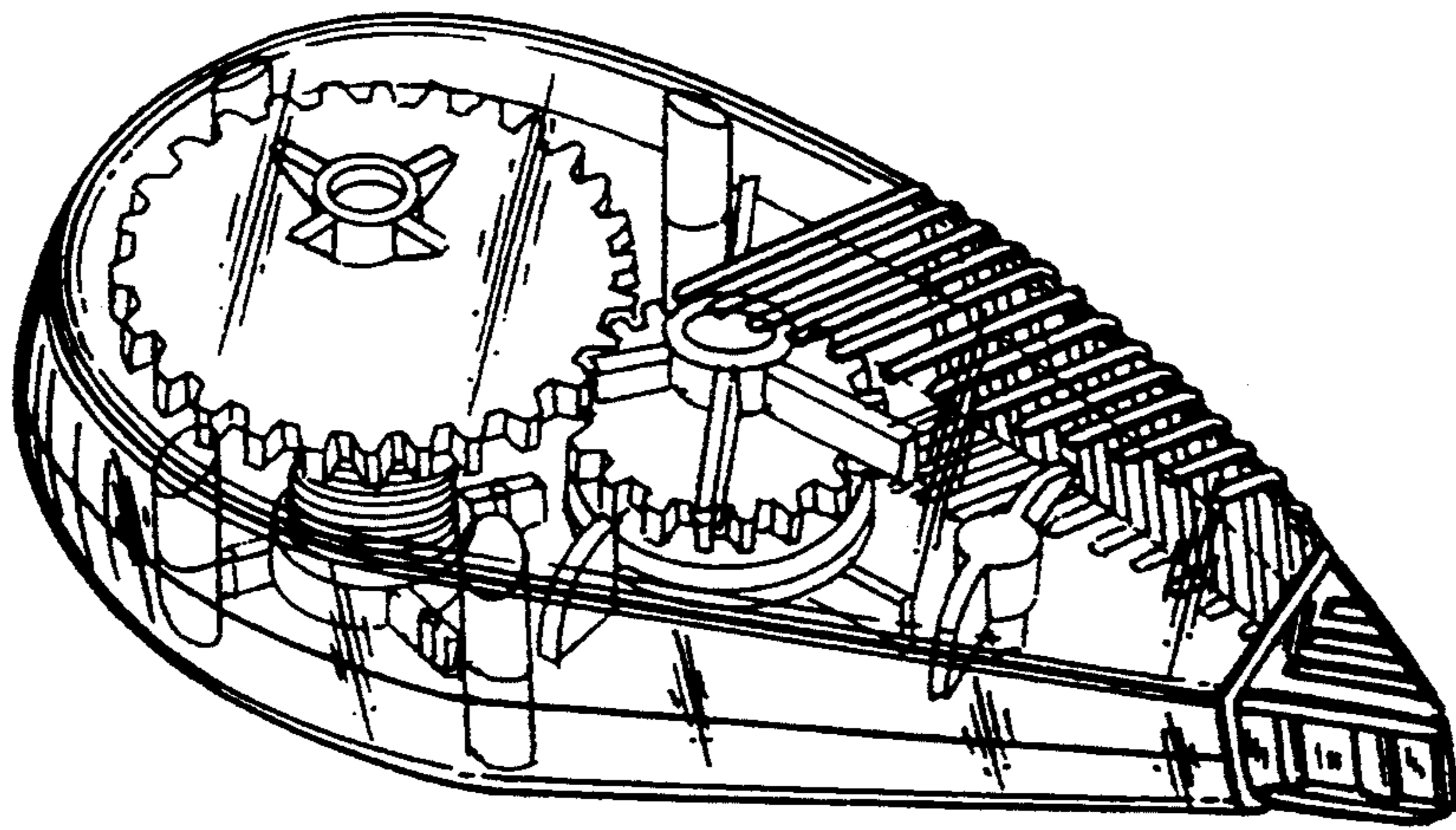


FIG. 9

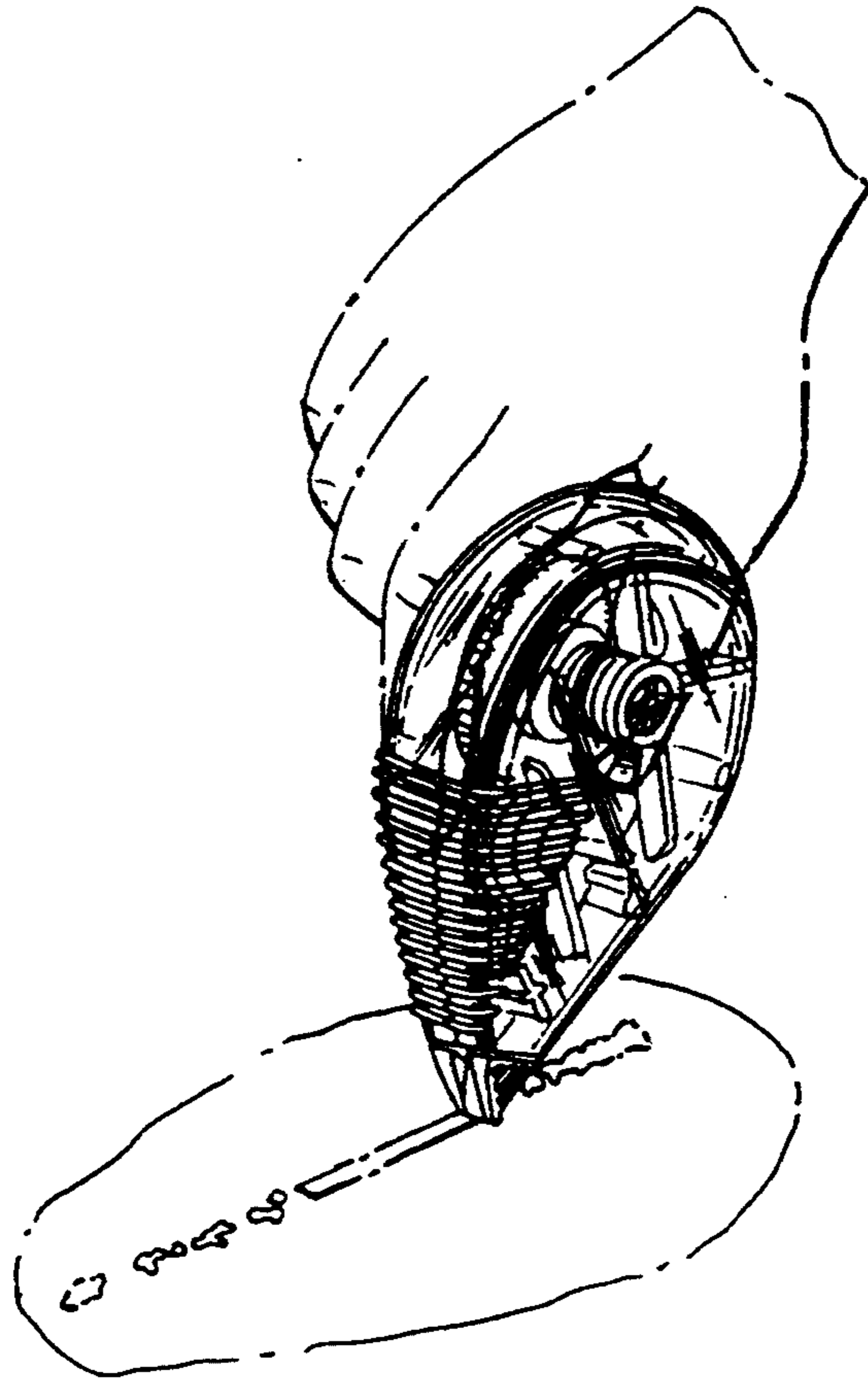


FIG. 10

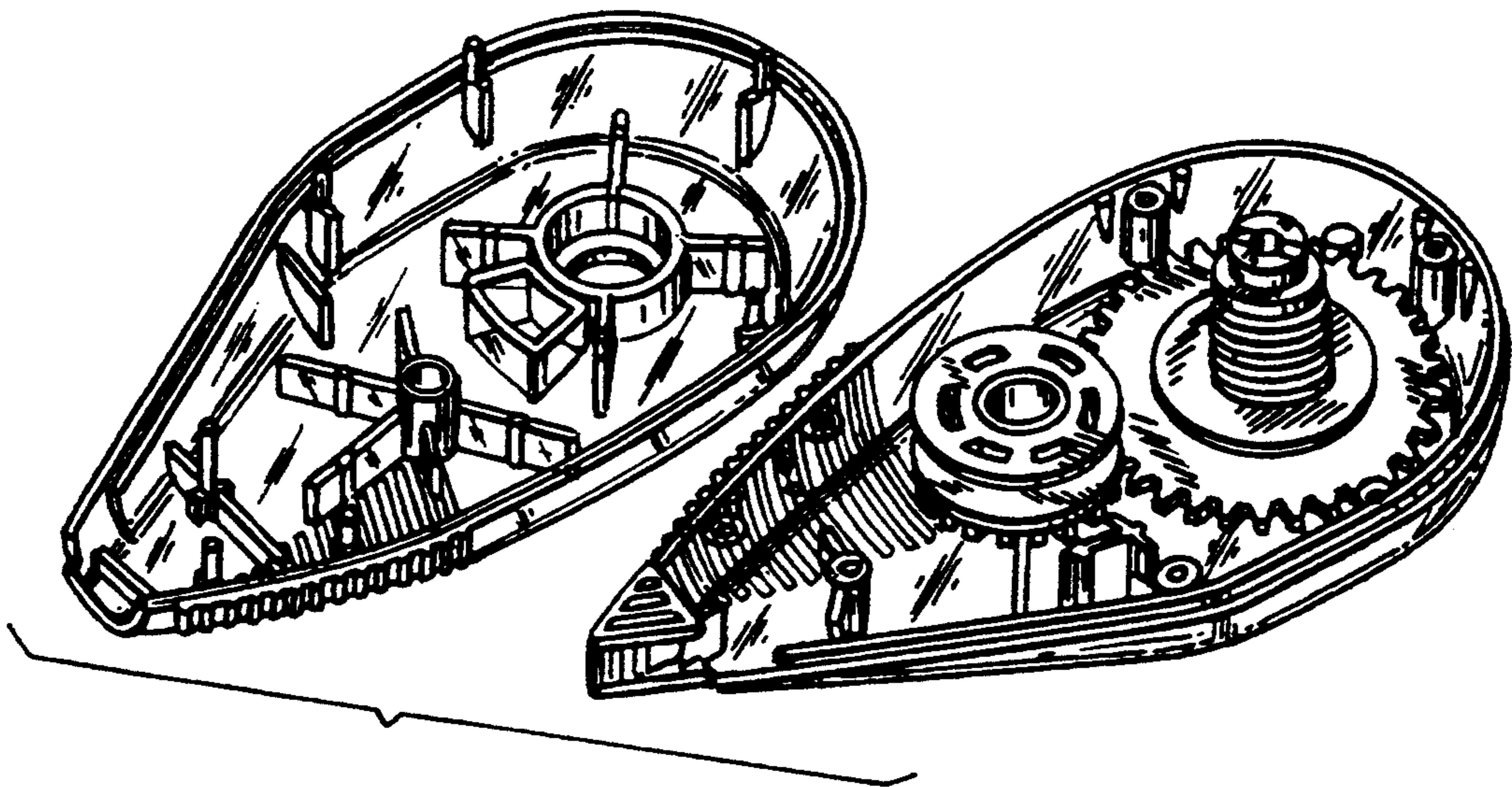


FIG. 11