



US00D355925S

# United States Patent [19]

[11] Patent Number: **Des. 355,925**

Saunders et al.

[45] Date of Patent: **\*\* Feb. 28, 1995**

[54] **REPRODUCING MACHINE**

[56] **References Cited**

[75] Inventors: **Susan L. Saunders**, Rochester;  
**William T. Clark, III**, West  
Henrietta, both of N.Y.; **Takeshi**  
**Matsubara**, Yokohama, Japan

### U.S. PATENT DOCUMENTS

D. 316,724 5/1991 Kosako et al. .... D18/39  
D. 332,279 1/1993 Mano et al. .... D18/39  
D. 334,768 4/1993 Katada et al. .... D18/39 X  
D. 339,152 9/1993 Hirose et al. .... D18/39

[73] Assignee: **Xerox Corporation**, Stamford, Conn.

*Primary Examiner*—Alan P. Douglas  
*Assistant Examiner*—Caron D. Veynar

[\*\*] Term: **14 Years**

### [57] CLAIM

The ornamental design for a reproducing machine, as shown.

[21] Appl. No.: **4,773**

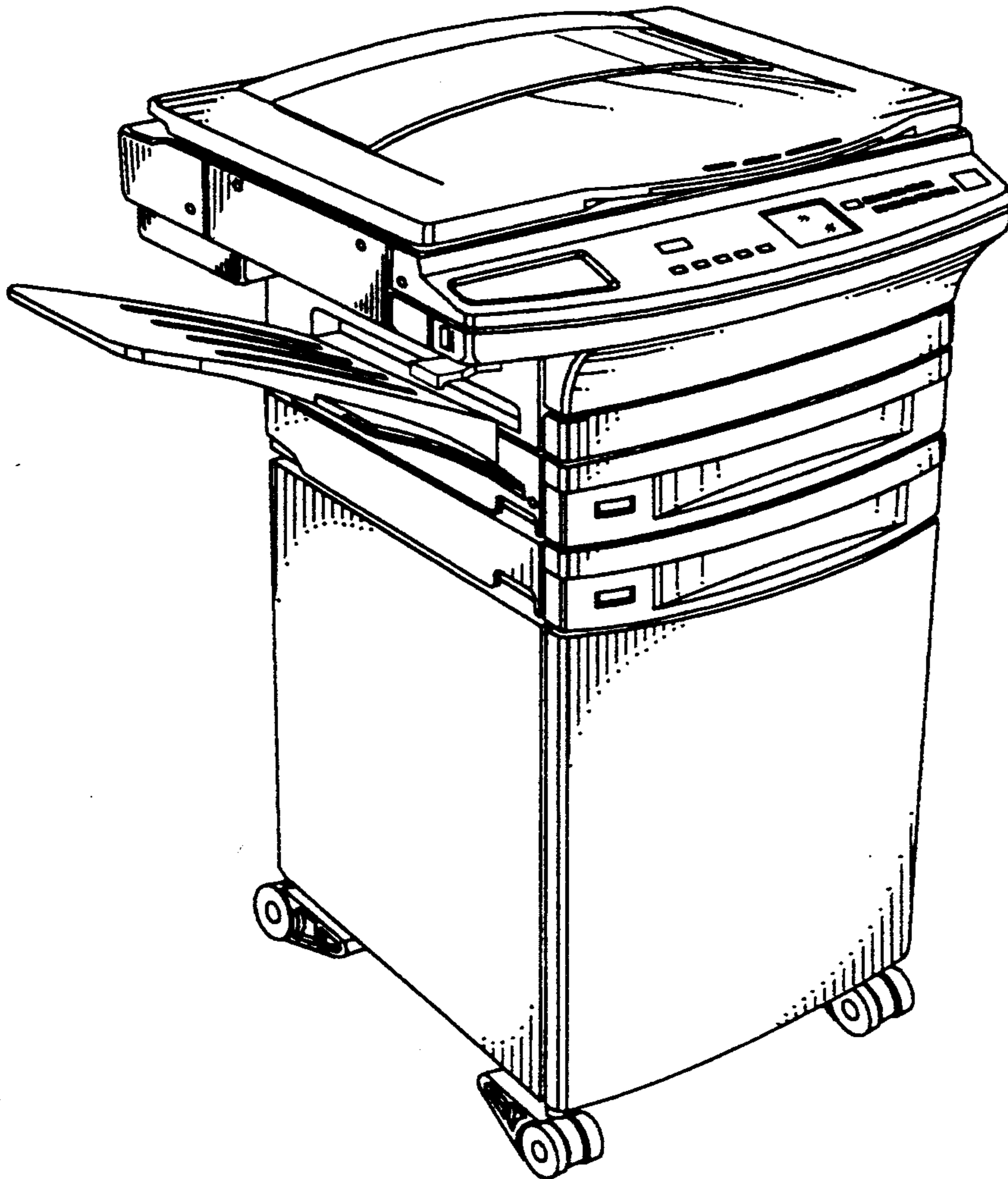
### DESCRIPTION

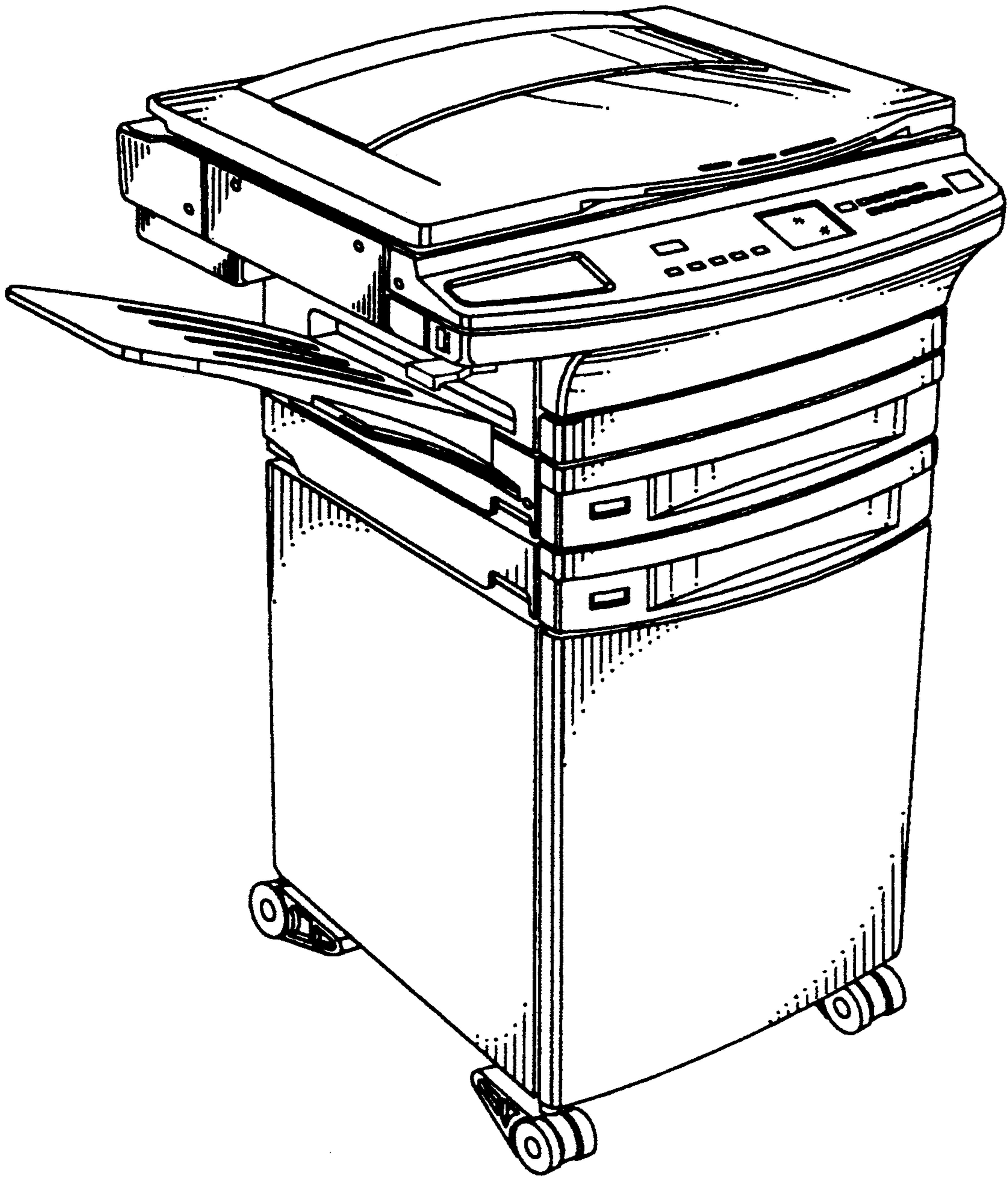
[22] Filed: **Feb. 12, 1993**

FIG. 1 is a frontal perspective view of a reproducing machine showing our new design;  
FIG. 2 is a front view;  
FIG. 3 is a right side view;  
FIG. 4 is a rear view;  
FIG. 5 is a left side view;  
FIG. 6 is a top view; and,  
FIG. 7 is a bottom plan view.

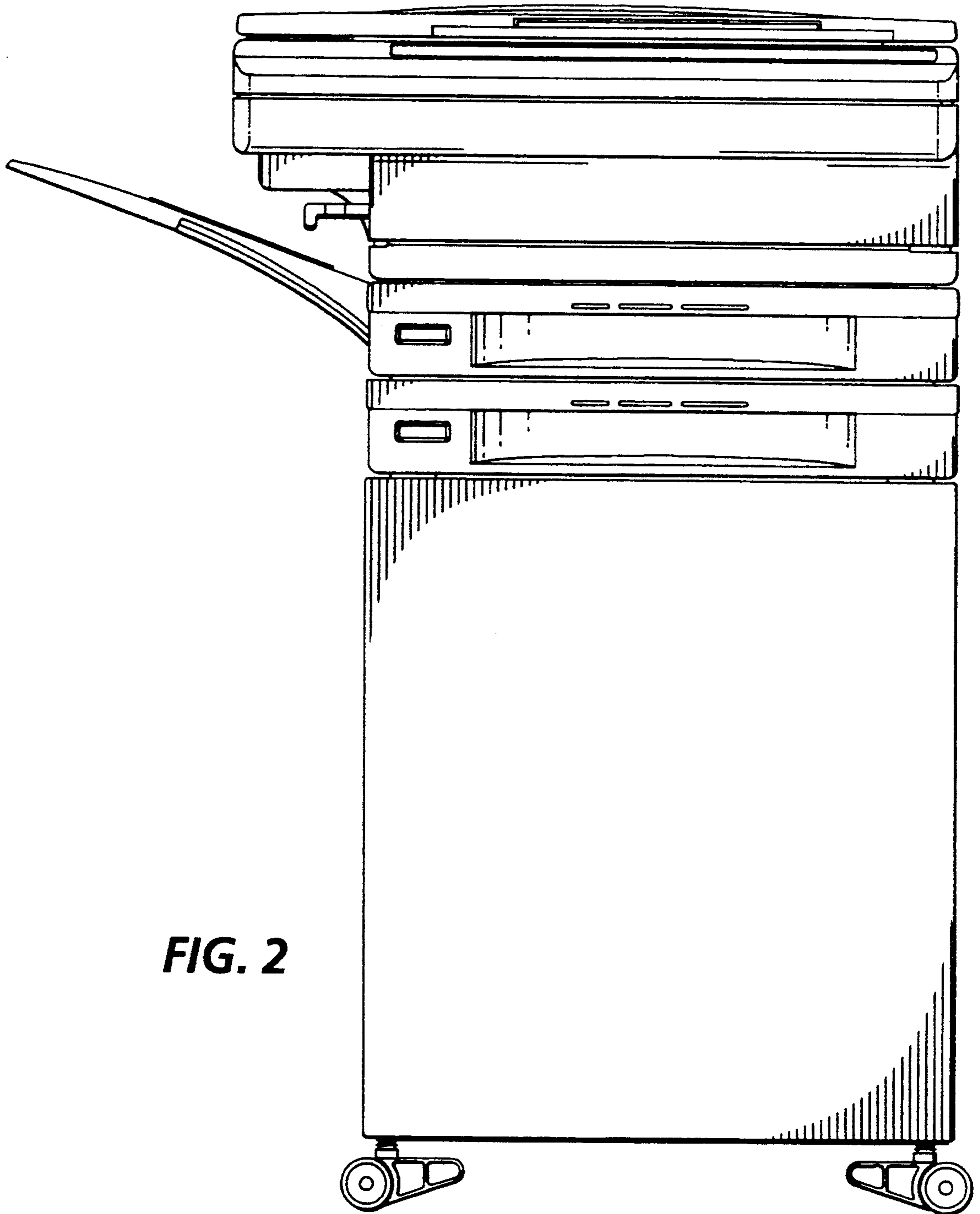
[52] U.S. Cl. .... **D18/39; D18/36**

[58] Field of Search ..... **D18/36-39;**  
**D14/111, 112, 116, 118; 355/200, 210, 231,**  
**233-236, 245; 358/400**

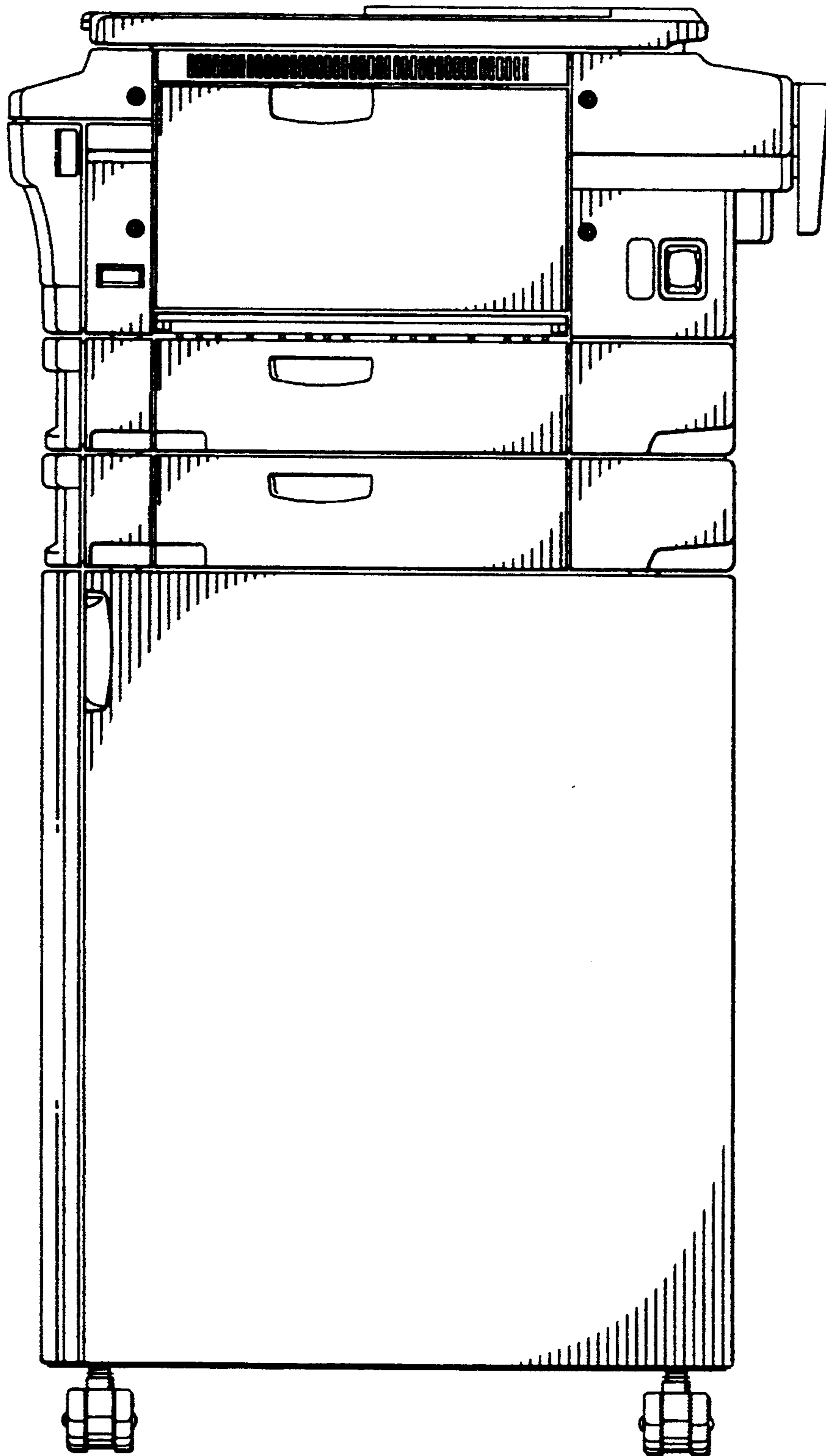




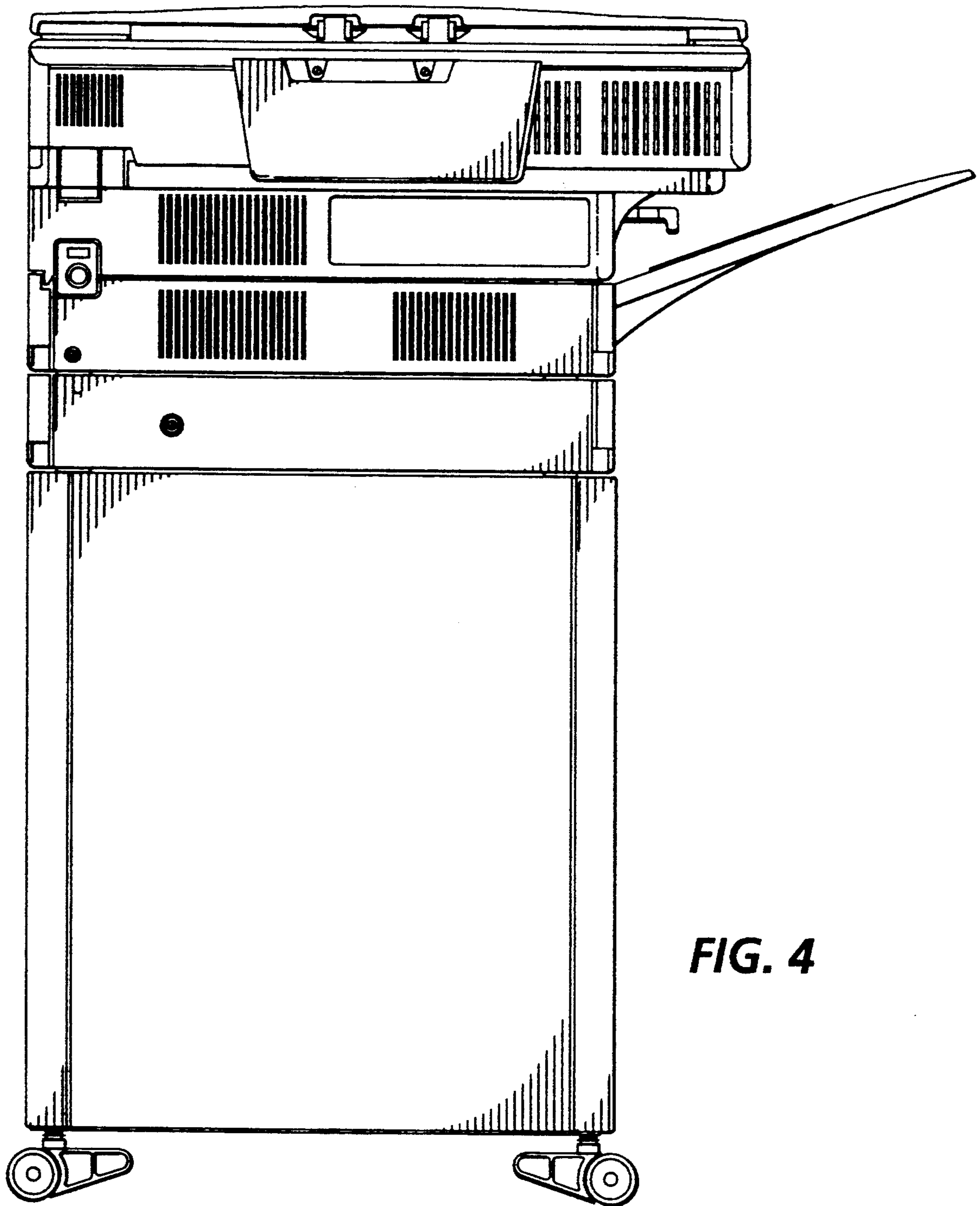
**FIG. 1**



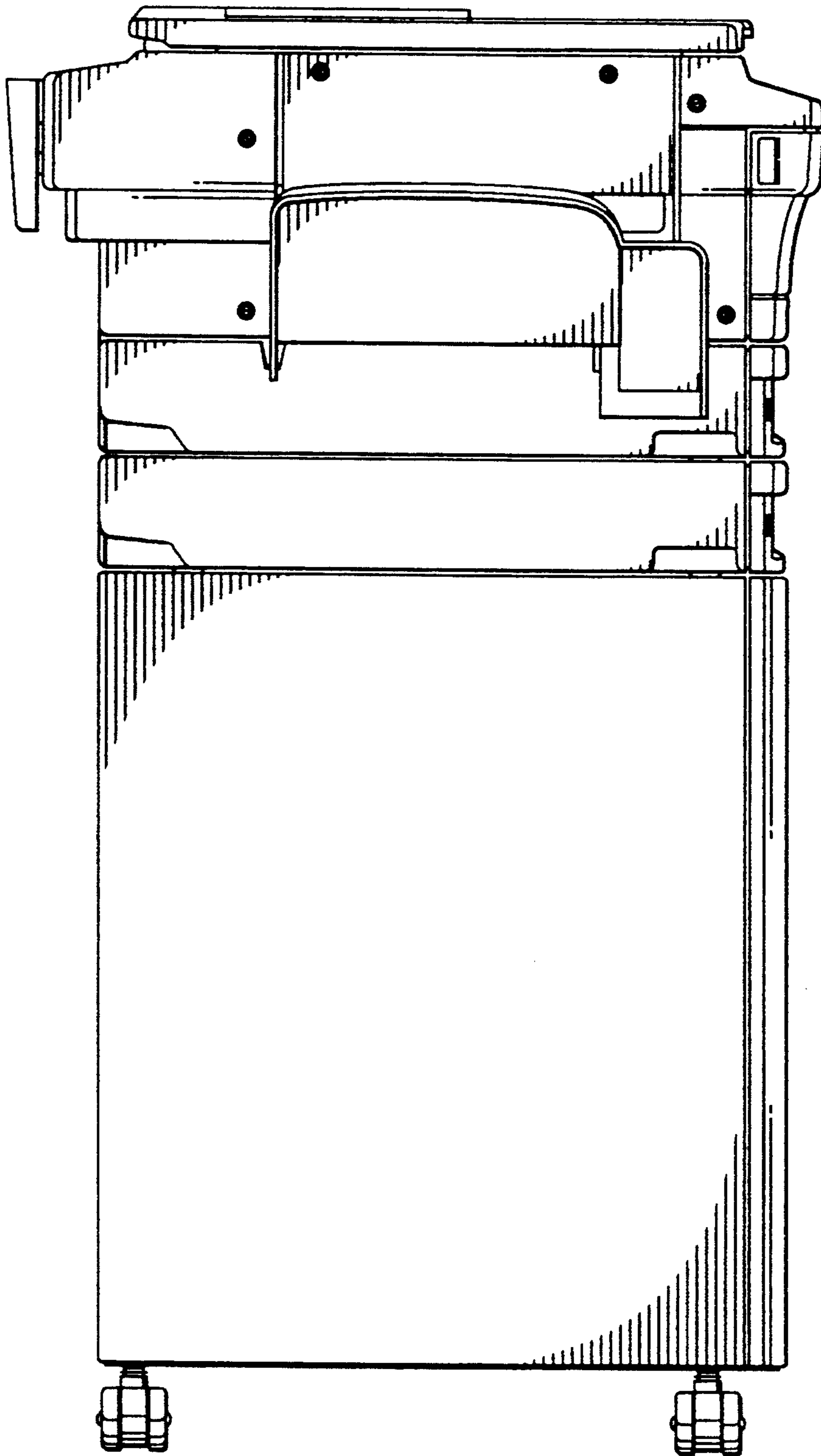
**FIG. 2**



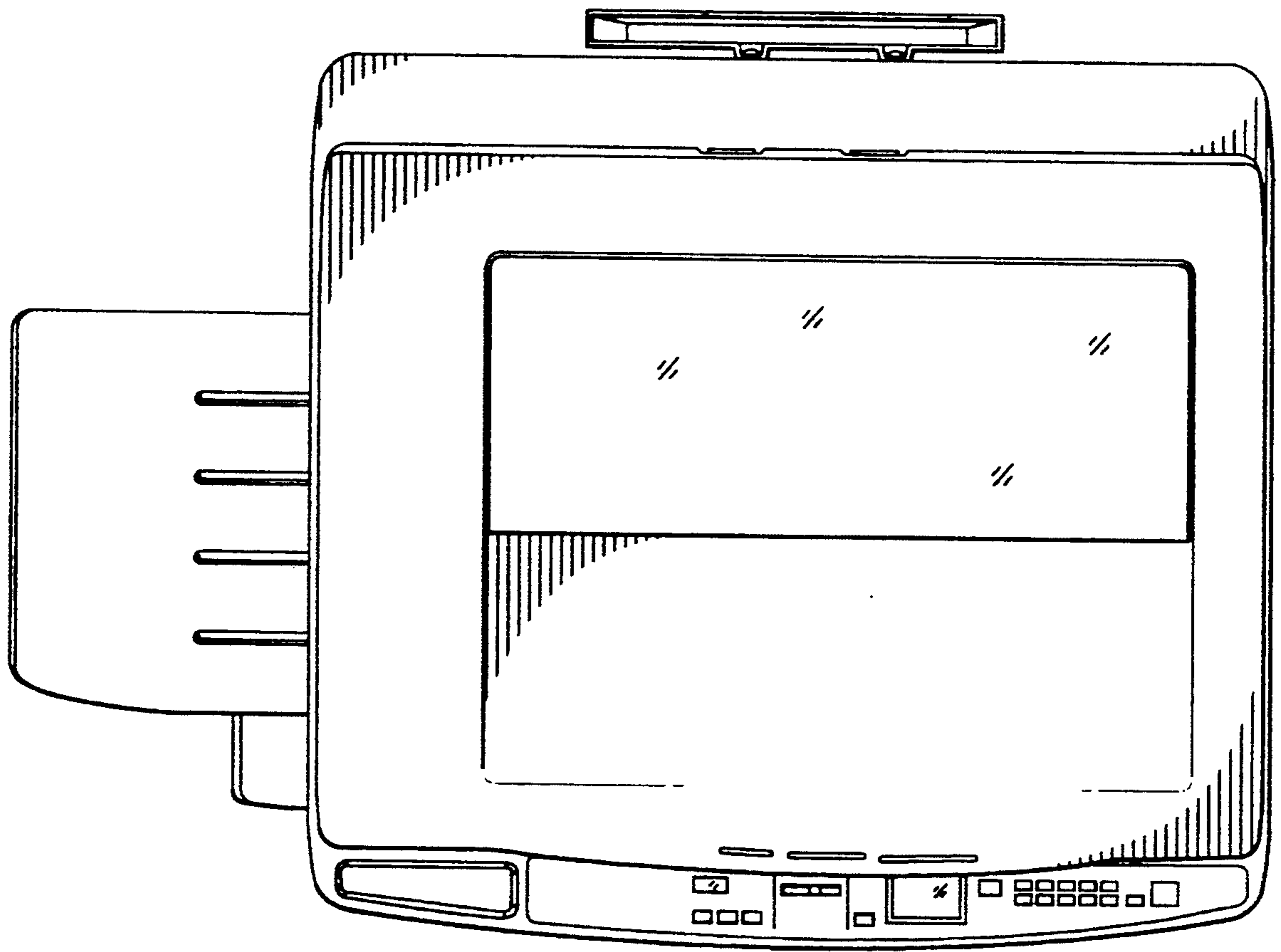
**FIG. 3**



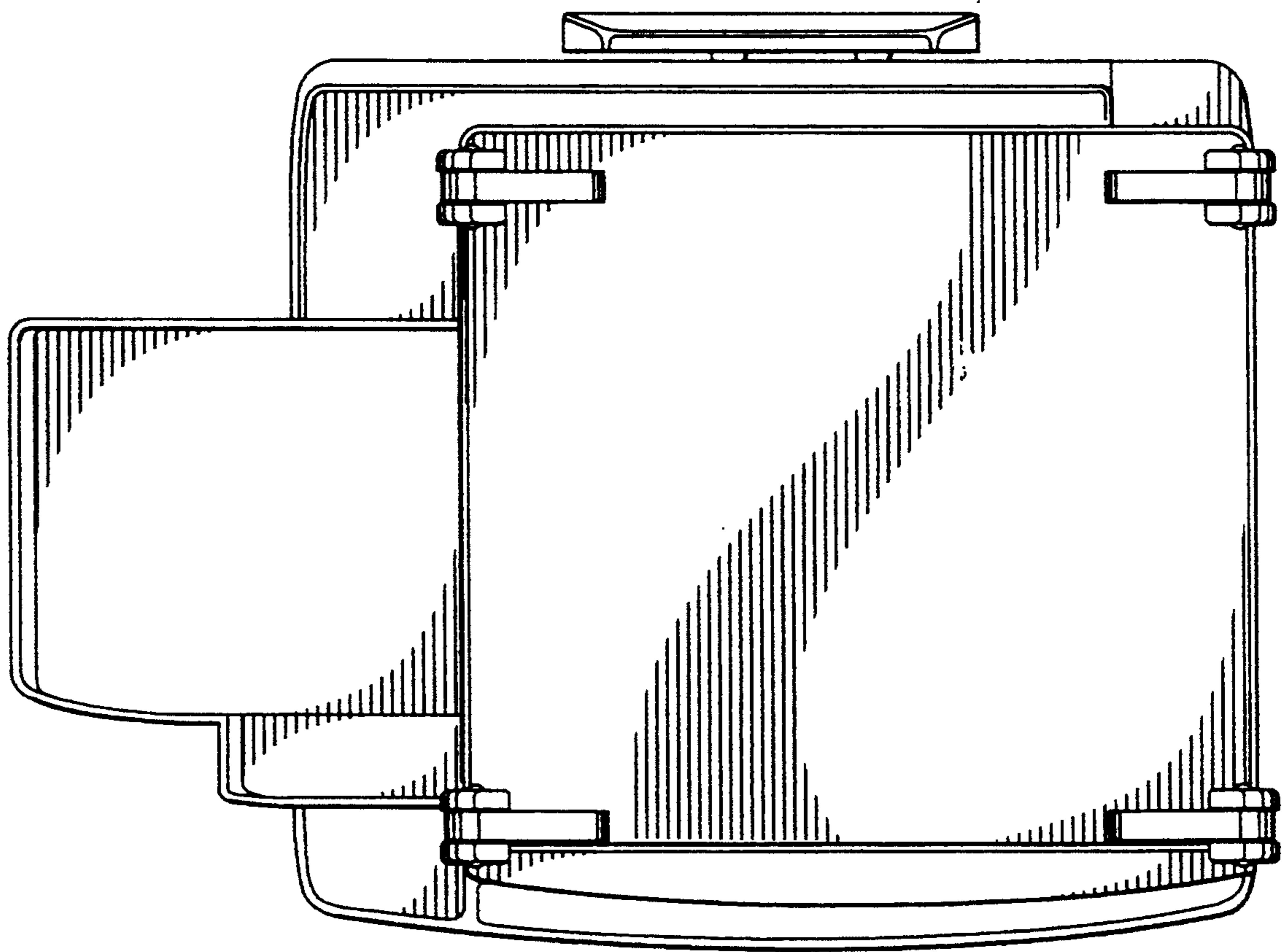
**FIG. 4**



**FIG. 5**



**FIG. 6**



**FIG. 7**