



US00D355923S

# United States Patent [19] Slater

[11] Patent Number: **Des. 355,923**

[45] Date of Patent: **\*\* Feb. 28, 1995**

[54] **ELECTRONIC KEYBOARD**

[75] Inventor: **Richard B. Slater**, Mequon, Wis.

[73] Assignee: **Hal Leonard Publishing Corporation**, Milwaukee, Wis.

[\*\*] Term: **14 Years**

[21] Appl. No.: **9,644**

[22] Filed: **Jun. 18, 1993**

[52] U.S. Cl. .... **D17/1; D21/64**

[58] Field of Search ..... **D17/1, 2, 5, 7, 9; D21/64; 84/423, 428, 644, 670, 719, DIG. 3, DIG. 7; 446/397, 408**

[56] **References Cited**

**U.S. PATENT DOCUMENTS**

D. 245,197	7/1977	Noury, Jr.	.....	D17/1
D. 296,338	6/1988	Sgroi	.....	D17/1
D. 349,127	7/1994	Nelson	.....	D17/1

**FOREIGN PATENT DOCUMENTS**

1251957	4/1989	Canada	.....	84/644
---------	--------	--------	-------	--------

**OTHER PUBLICATIONS**

Child Craft, 1981 p. 23 (Colormonica, Item C).  
Tree Top Toys, Catalog, (Keyboard, Item B).  
Hong Kong Toyco, 1992 p. 938 (Electronic Keyboard).  
Battat; My Little Keyboard.  
Sesame Street; Big Bird's Portable Piano.  
Rhapsody; My Song Maker; programmable Deluxe  
Tote-A-Tune Electronic Keyboard.  
JTG of Nashville; My Play a Tune Book.

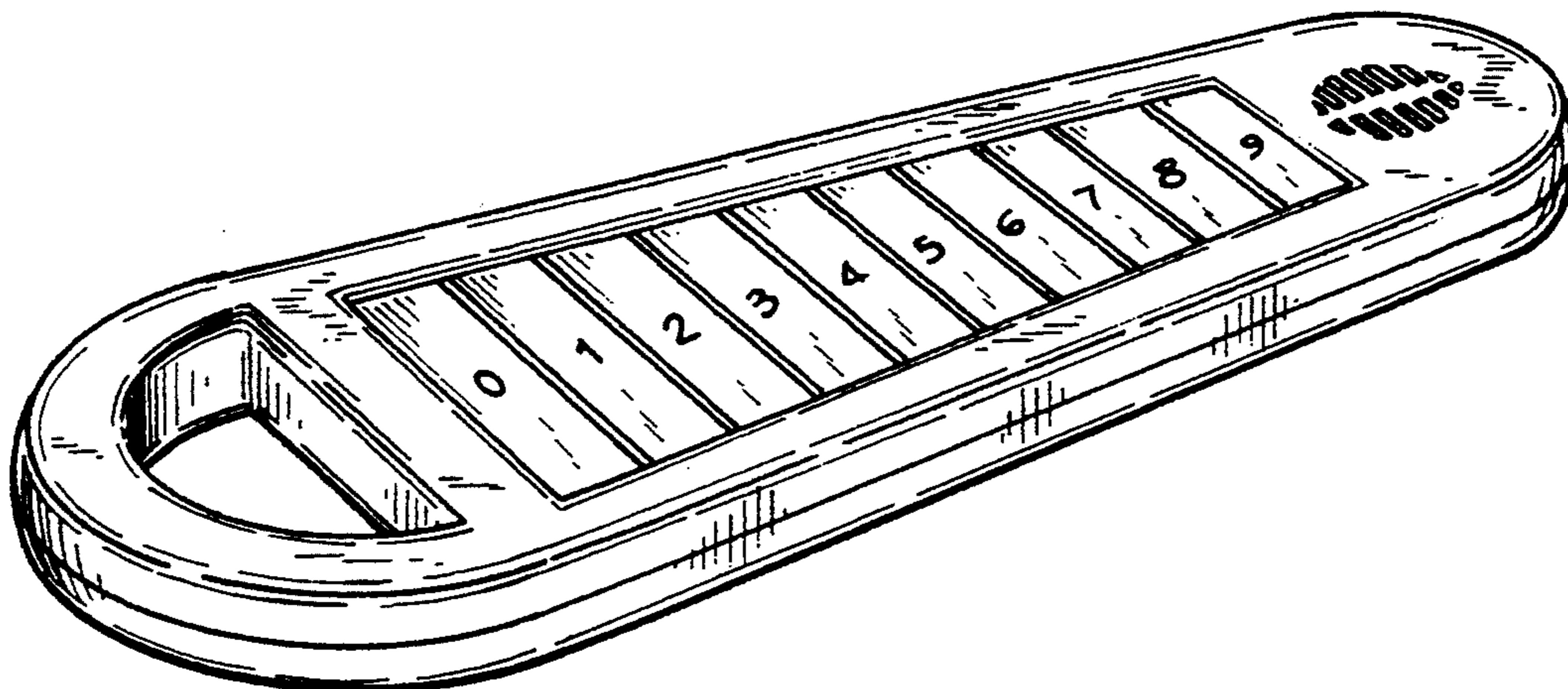
*Primary Examiner*—Bernard Ansher  
*Assistant Examiner*—Adir Aronovich  
*Attorney, Agent, or Firm*—Michael, Best & Friedrich

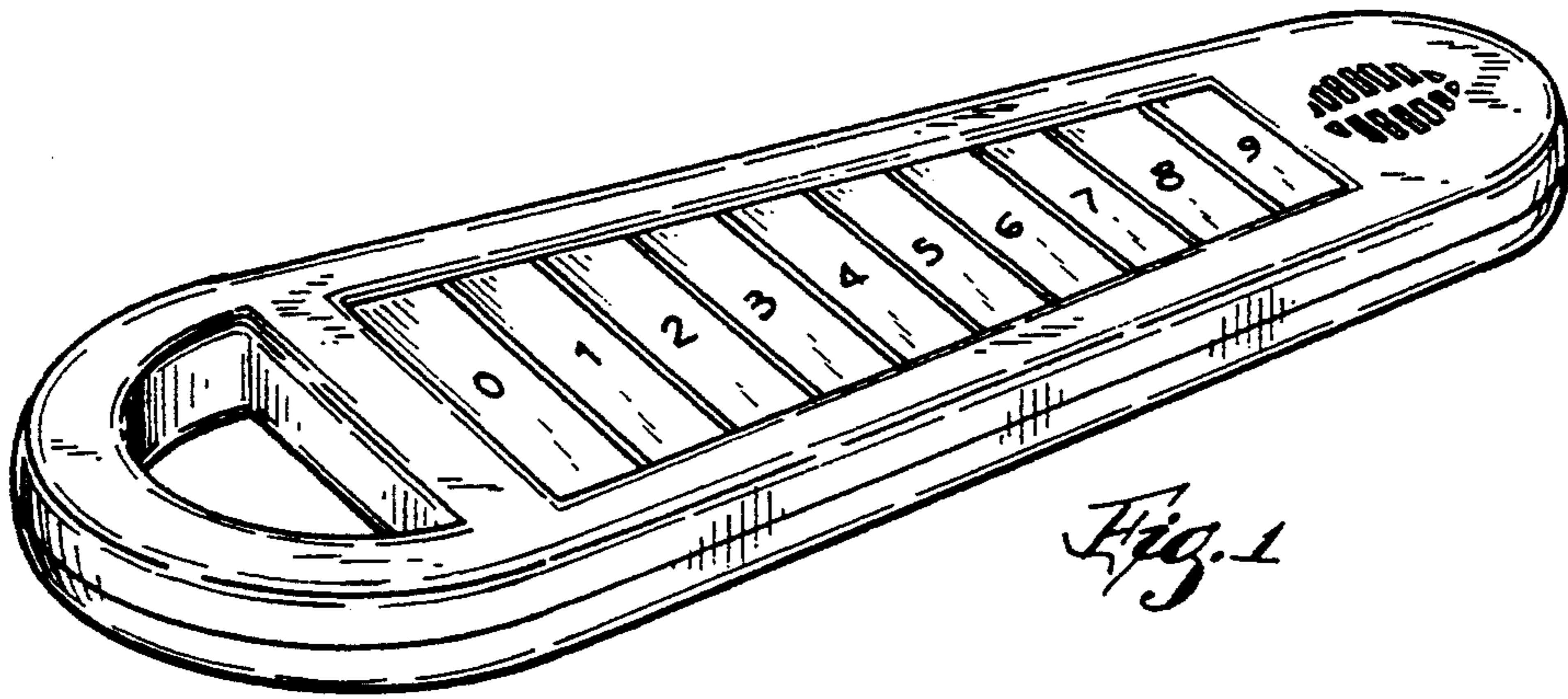
[57] **CLAIM**

The ornamental design for an electronic keyboard, as shown.

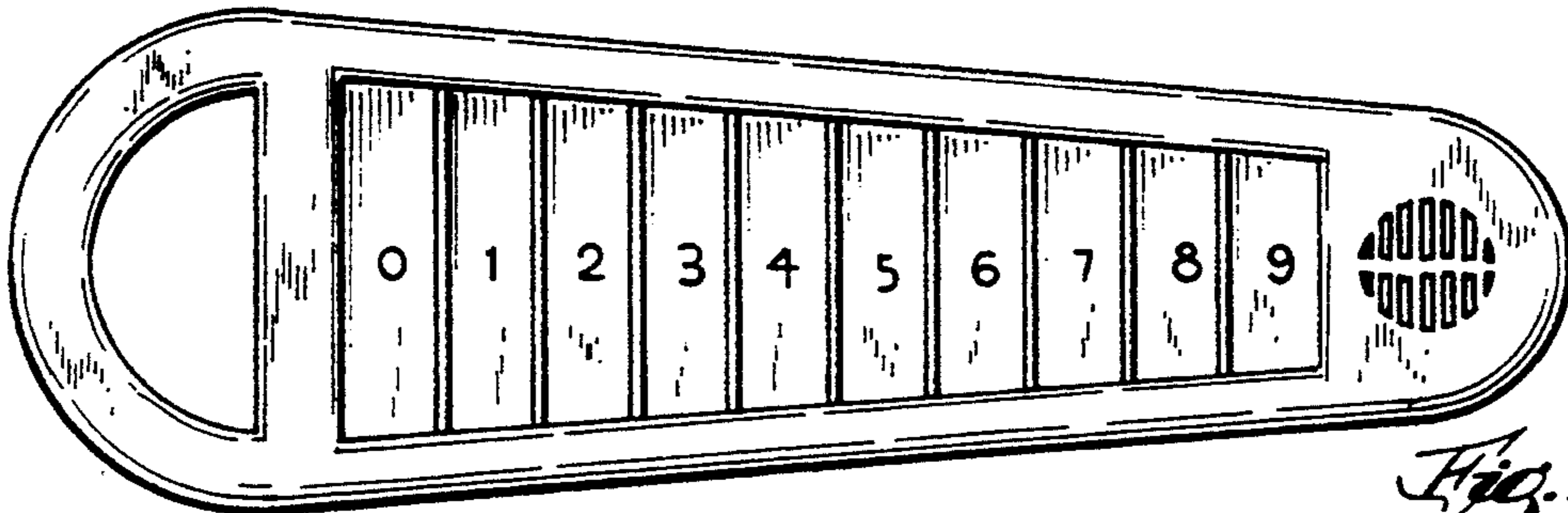
**DESCRIPTION**

FIG. 1 is a perspective view of an electronic keyboard showing my new design;  
FIG. 2 is a top plan view thereof;  
FIG. 3 is a side elevational view, the opposite side being a mirror image thereof;  
FIG. 4 is a bottom plan view;  
FIG. 5 is a right end elevational view; and,  
FIG. 6 is a left end elevational view.





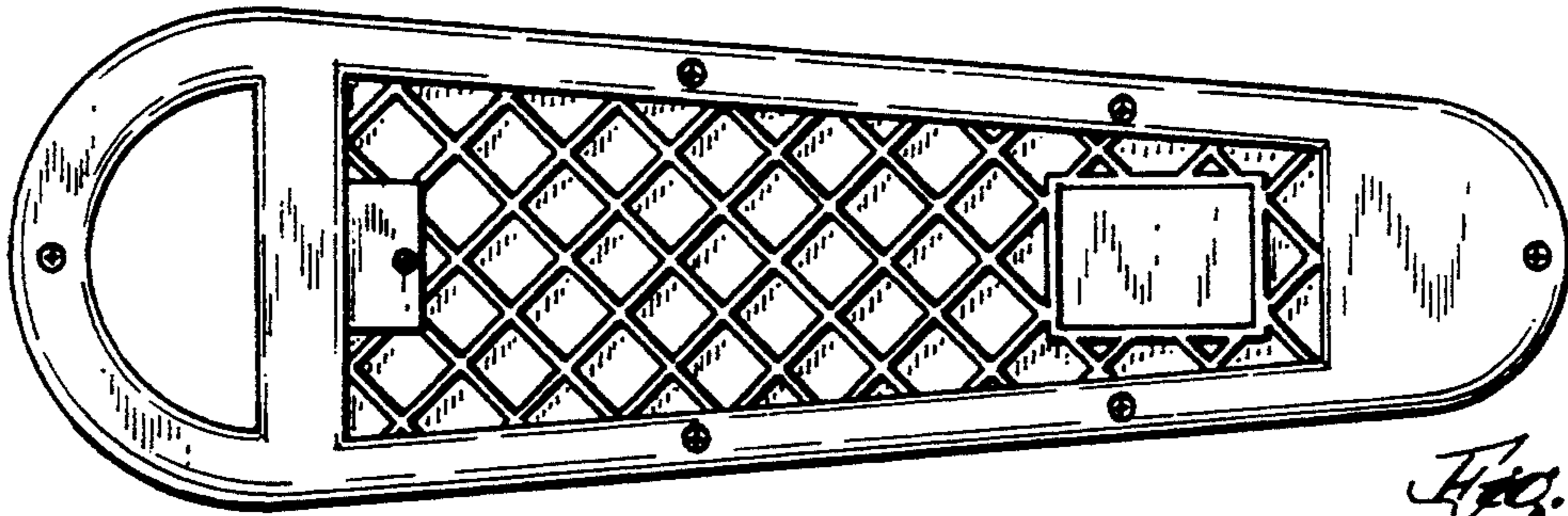
*Fig. 1*



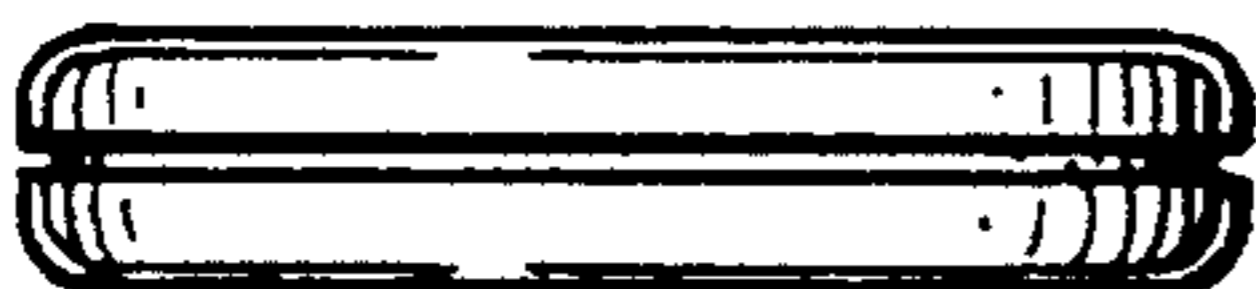
*Fig. 2*



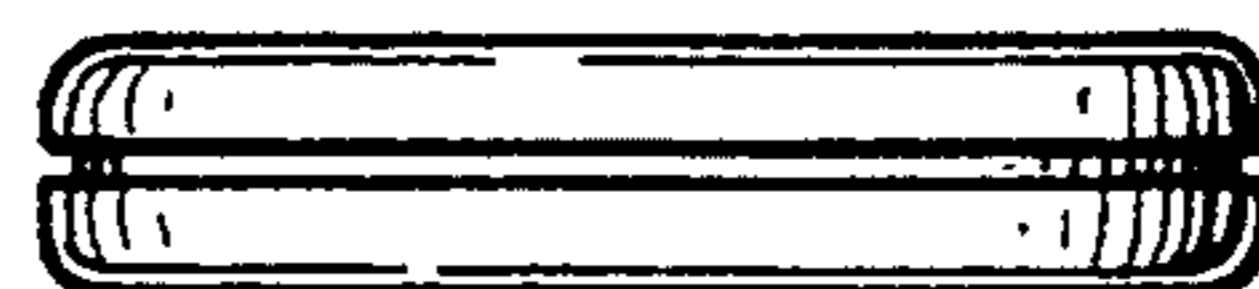
*Fig. 3*



*Fig. 4*



*Fig. 5*



*Fig. 6*