



US00D355921S

**United States Patent** [19]  
**Crouch et al.**

[11] **Patent Number: Des. 355,921**  
[45] **Date of Patent: \*\* Feb. 28, 1995**

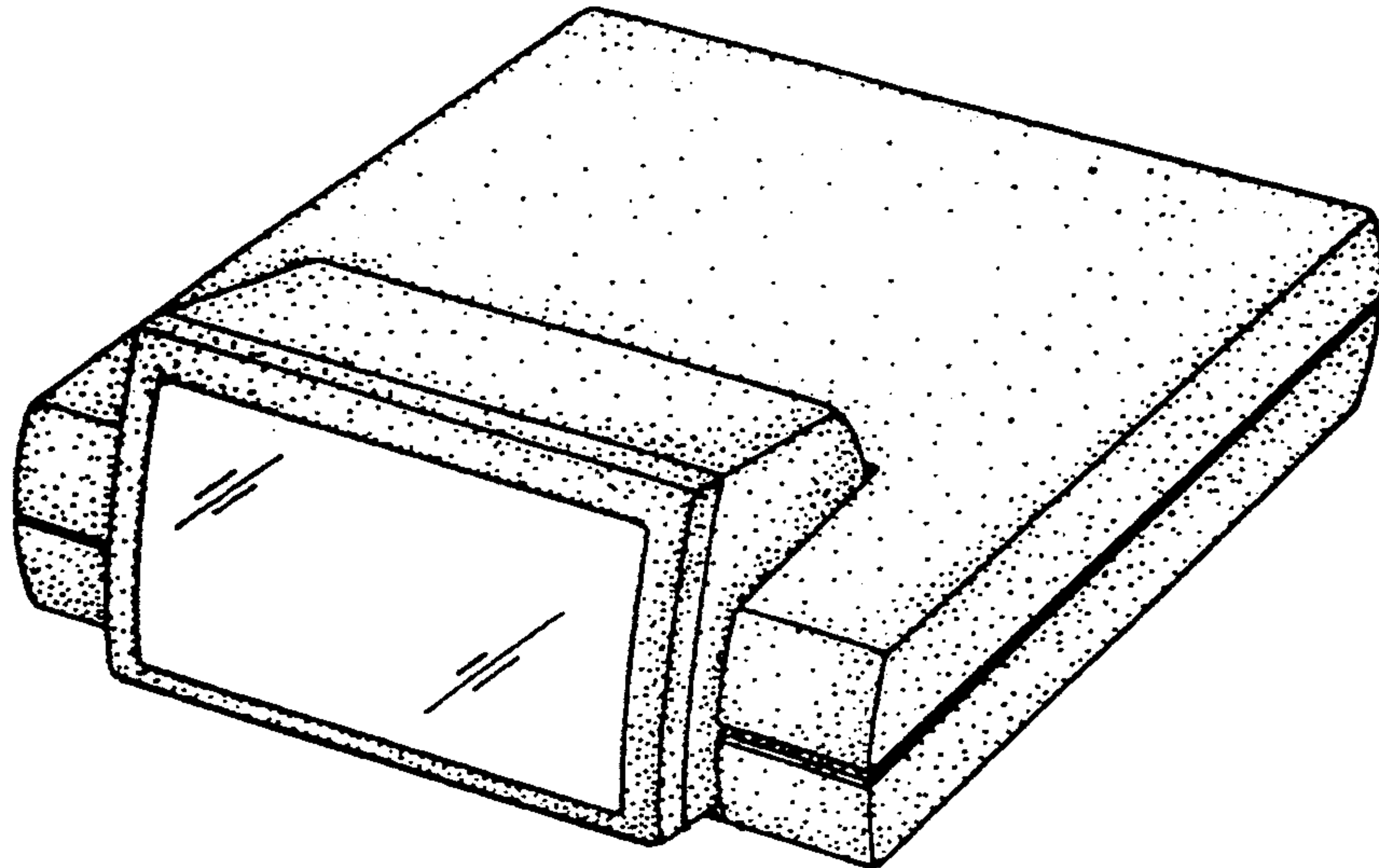
- [54] **CAMERA MODULE FOR A PERSONAL COMPUTER**
- [75] **Inventors: Paul E. Crouch, Freehold; Pratod V. Kasbekar, Belford; Bernard T. Lee, Tinton Falls; Thomas L. Stahly, Howell; David C. Stowers, Nutley; Michael P. Zambelli, Livingston, all of N.J.**
- [73] **Assignee: AT&T Corp., Murray Hill, N.J.**
- [\*\*] **Term: 14 Years**
- [21] **Appl. No.: 12,597**
- [22] **Filed: Sep. 7, 1993**
- [52] **U.S. Cl. .... D16/202; D14/107**
- [58] **Field of Search .... D14/130, 107; D16/200-205; 348/143, 207, 373-376, 14, 15, 209; 352/34, 242; 354/288; 358/909.1, 906**

- [56] **References Cited**  
**U.S. PATENT DOCUMENTS**
- D. 241,656 9/1976 Haworth ..... D14/130
- D. 269,513 6/1983 Nagele ..... D16/202
- D. 339,149 9/1983 Nakamura et al. .... D16/203
- 4,893,326 1/1990 Duran et al. .... 379/53
- 5,236,199 8/1993 Thompson, Jr. .... 348/14

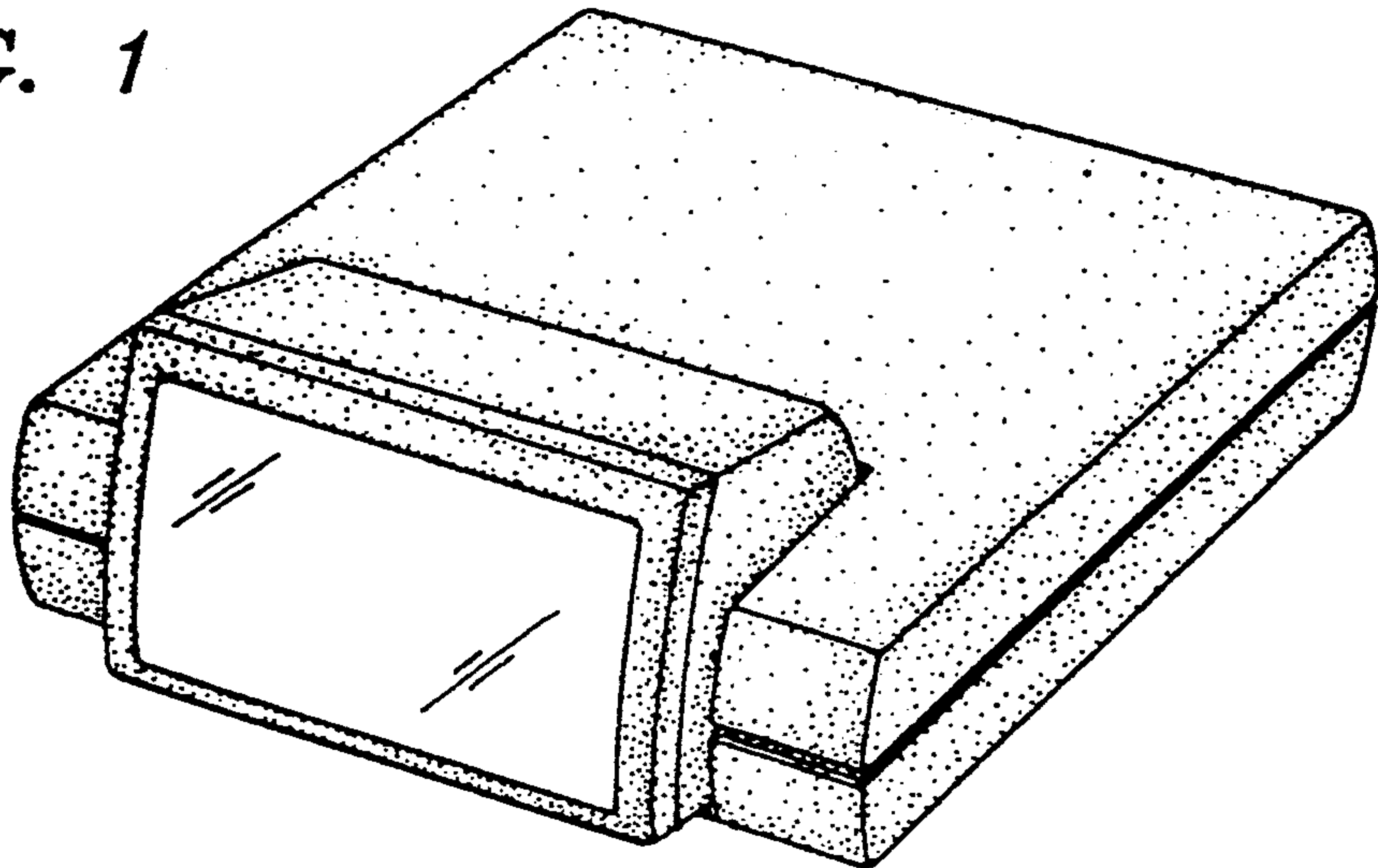
*Primary Examiner*—Bernard Ansher  
*Assistant Examiner*—Adir Aronovich  
*Attorney, Agent, or Firm*—Samuel R. Williamson

[57] **CLAIM**  
The ornamental design of a camera module for a personal computer, as shown and described.

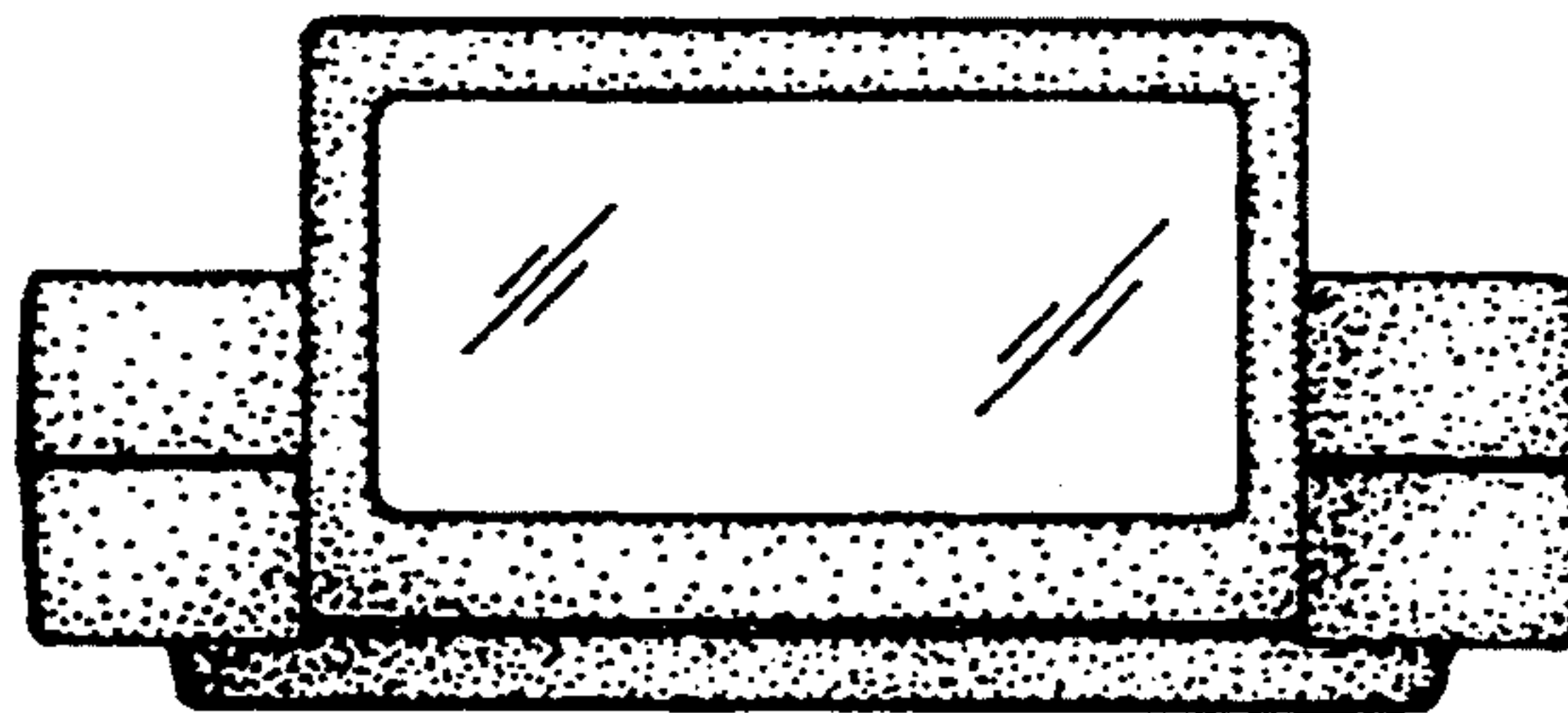
**DESCRIPTION**  
FIG. 1 is a top, front and right side perspective view of a camera module for a personal computer showing our new design;  
FIG. 2 is a front elevation thereof;  
FIG. 3 is a rear elevation thereof;  
FIG. 4 is a top plan view thereof;  
FIG. 5 is a right side elevation, the left side elevation being a mirror image thereof; and,  
FIG. 6 is a bottom plan view thereof.



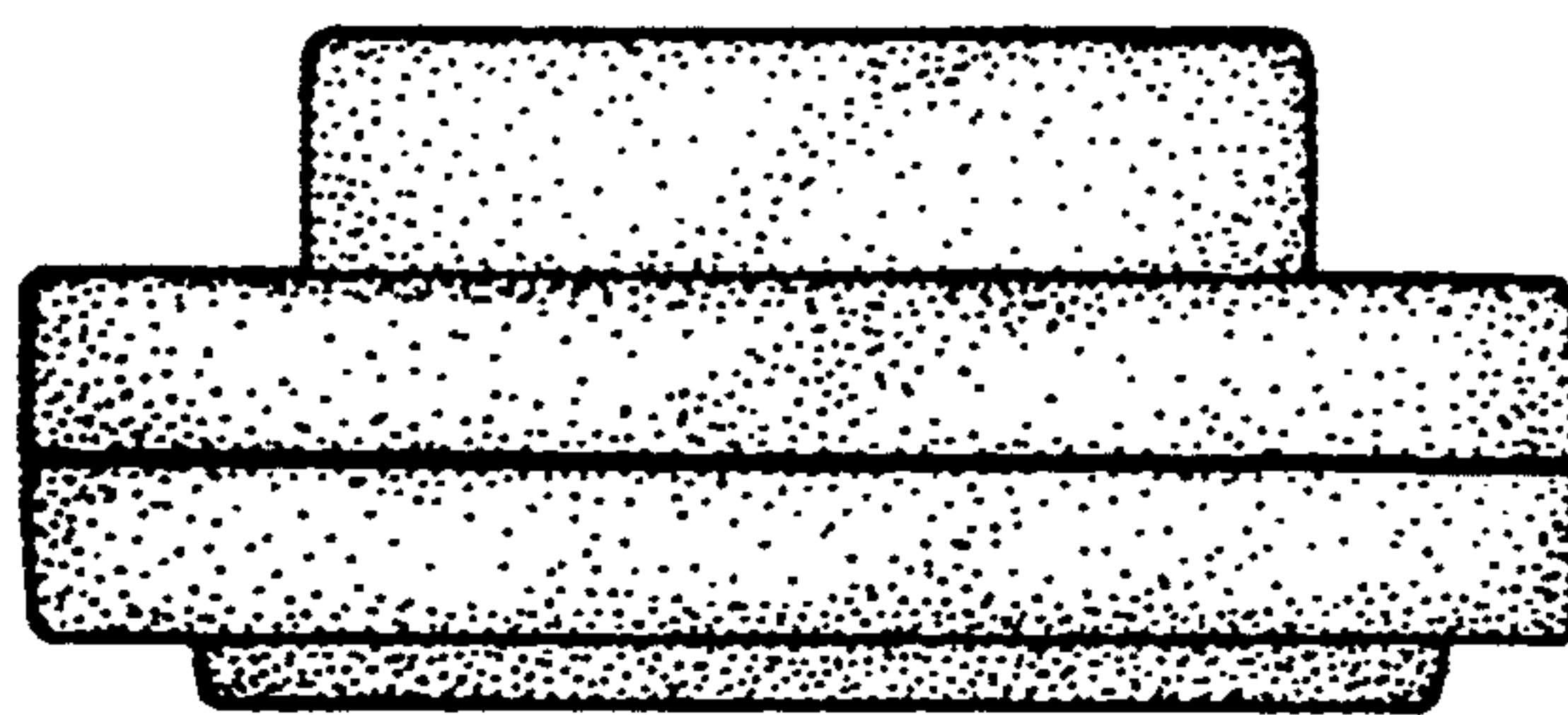
*FIG. 1*



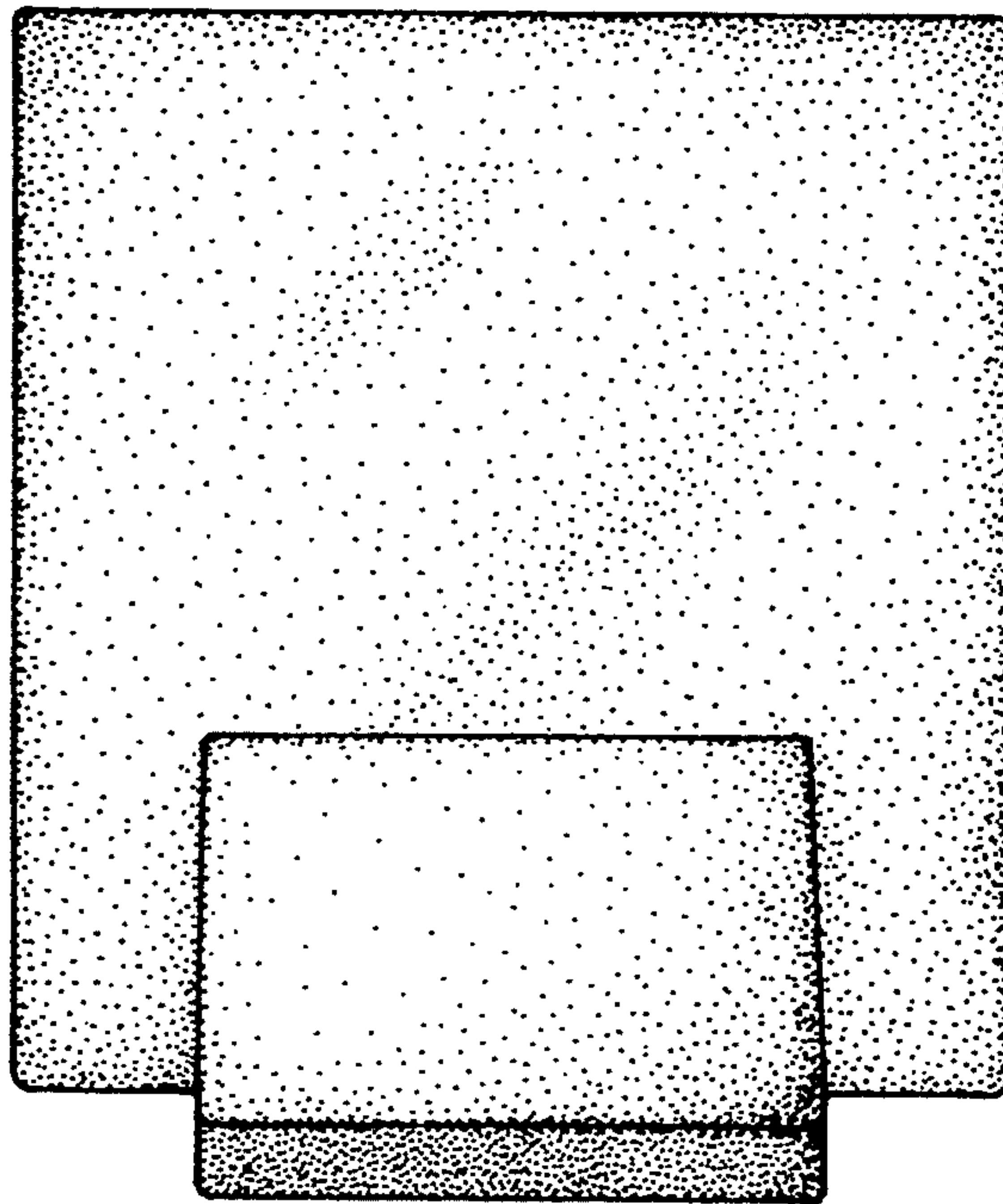
*FIG. 2*



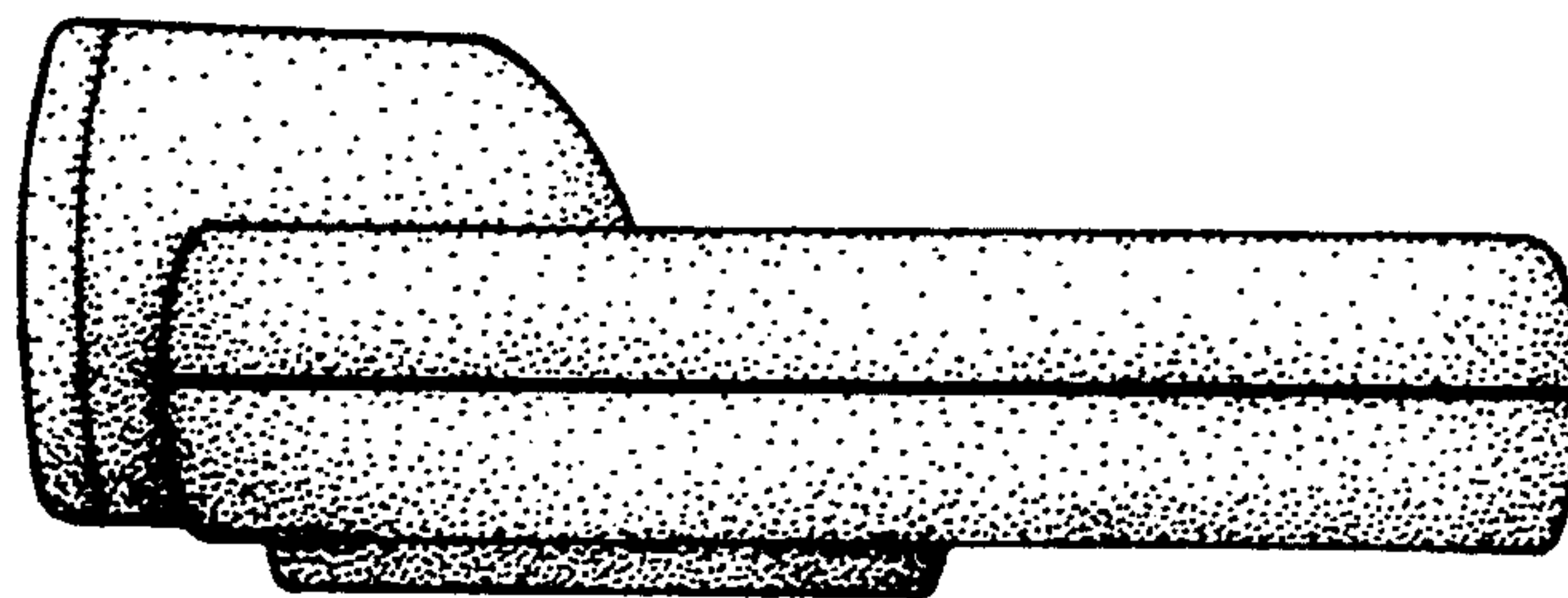
*FIG. 3*



*FIG. 4*



*FIG. 5*





*FIG. 6*

