



US00D355920S

United States Patent [19]

[11] Patent Number: **Des. 355,920**

Shinano

[45] Date of Patent: **** Feb. 28, 1995**

[54] **STILL VIDEO CAMERA FOR A PERSONAL COMPUTER**

4,893,326	1/1990	Duran et al.	379/53
4,952,953	8/1990	Ridderstolpe et al.	354/81
5,236,199	8/1993	Thompson, Jr.	348/14

[75] Inventor: **Toru Shinano**, Yokohama, Japan

FOREIGN PATENT DOCUMENTS

[73] Assignee: **Canon Kabushiki Kaisha**, Tokyo, Japan

19193/69 5/1966 Japan 354/293

[**] Term: **14 Years**

Primary Examiner—Bernard Ansher
Assistant Examiner—Adir Aronovich
Attorney, Agent, or Firm—Fitzpatrick, Cella, Harper & Scinto

[21] Appl. No.: **10,586**

[22] Filed: **Jul. 13, 1993**

[57] CLAIM

[30] Foreign Application Priority Data

Jan. 14, 1993 [JP] Japan 5-770

The ornamental design for a still video camera for a personal computer, as shown and described.

[52] U.S. Cl. **D16/202; D14/107**

DESCRIPTION

[58] Field of Search D16/200-205;
348/207, 209, 14, 15, 373-376; 354/81, 88, 293;
358/906, 909.1; 379/53; H04N 5/225

FIG. 1 is a front elevational view of a still video camera for a personal computer showing my new design; FIG. 2 is a rear elevational view thereof; FIG. 3 is a top plan view thereof; FIG. 4 is a bottom plan view thereof; FIG. 5 is a left side elevational view thereof; FIG. 6 is a right side elevational view thereof; and, FIG. 7 is a perspective view thereof.

[56] References Cited

U.S. PATENT DOCUMENTS

D. 262,117 12/1981 Sasaki D16/203
D. 315,742 3/1991 Matsumoto D16/205

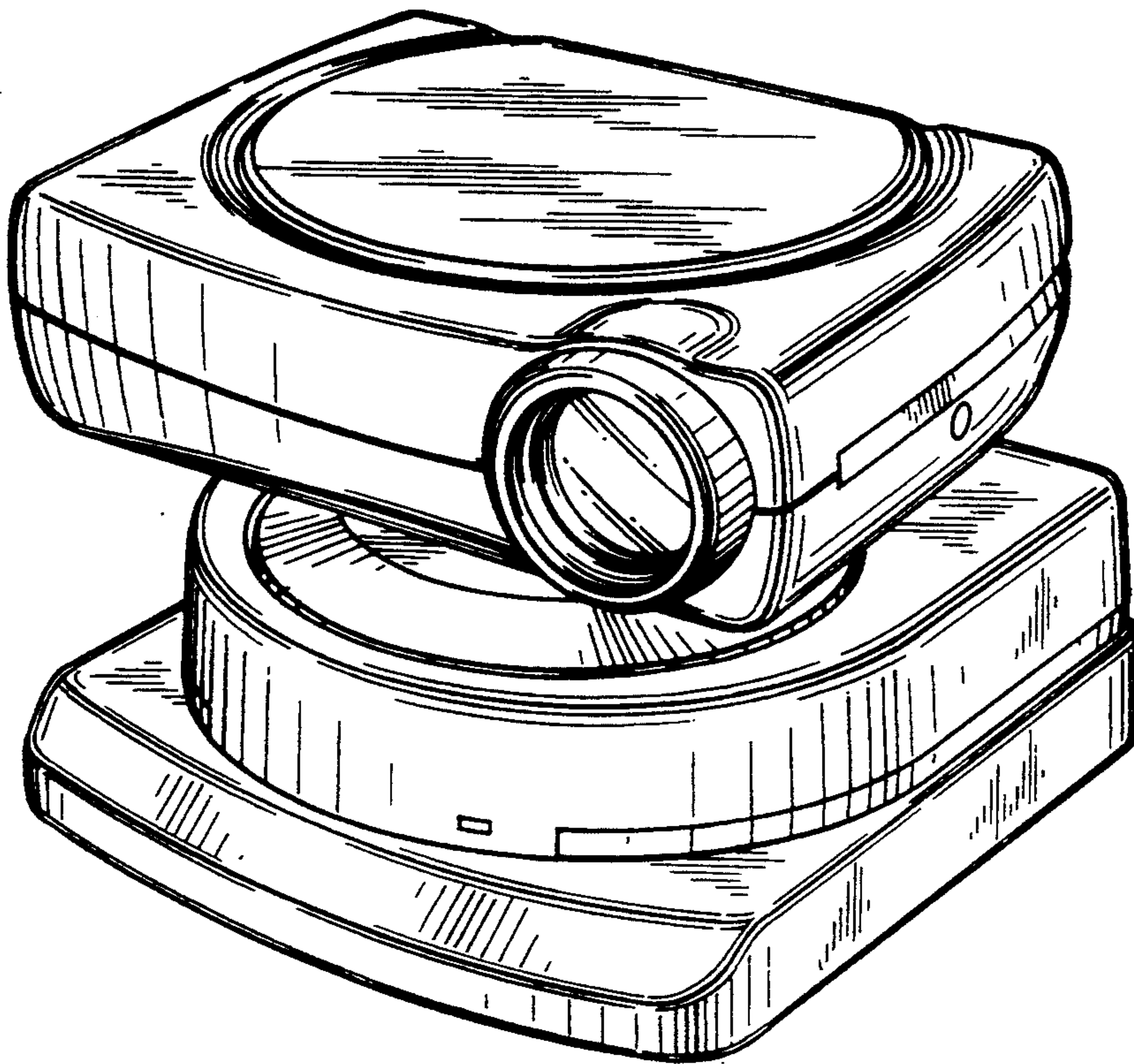


FIG. 1

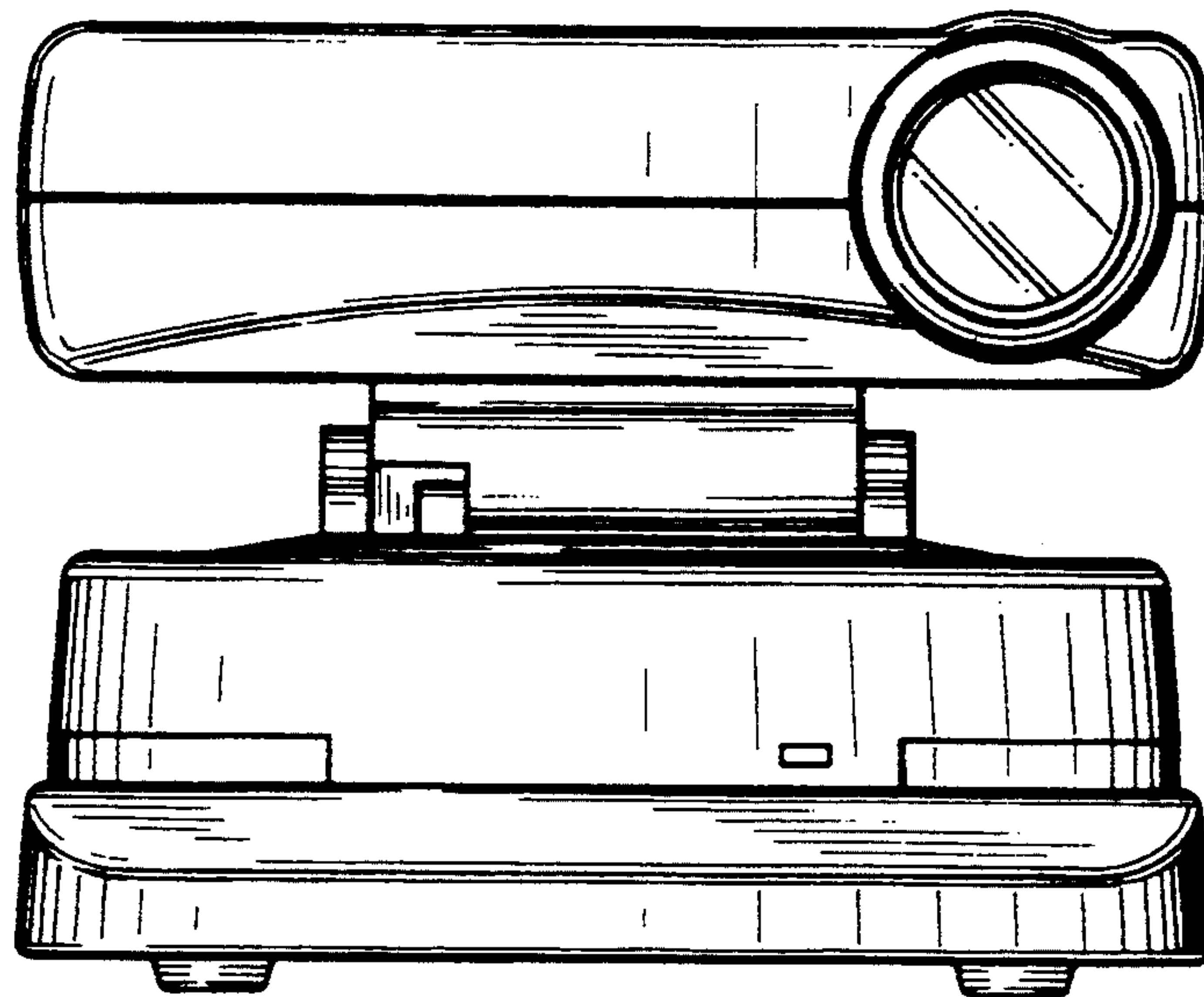


FIG. 2

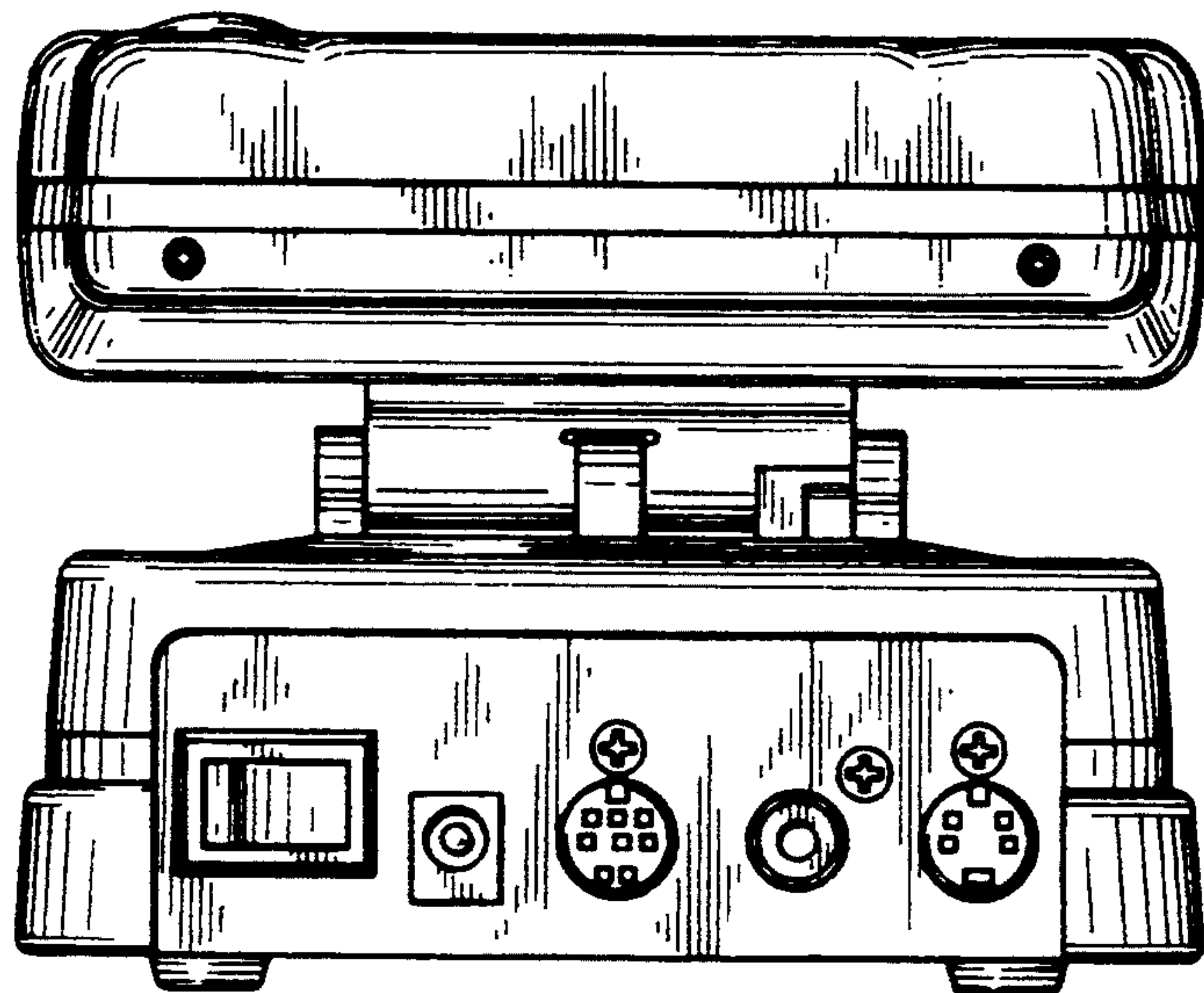


FIG. 3

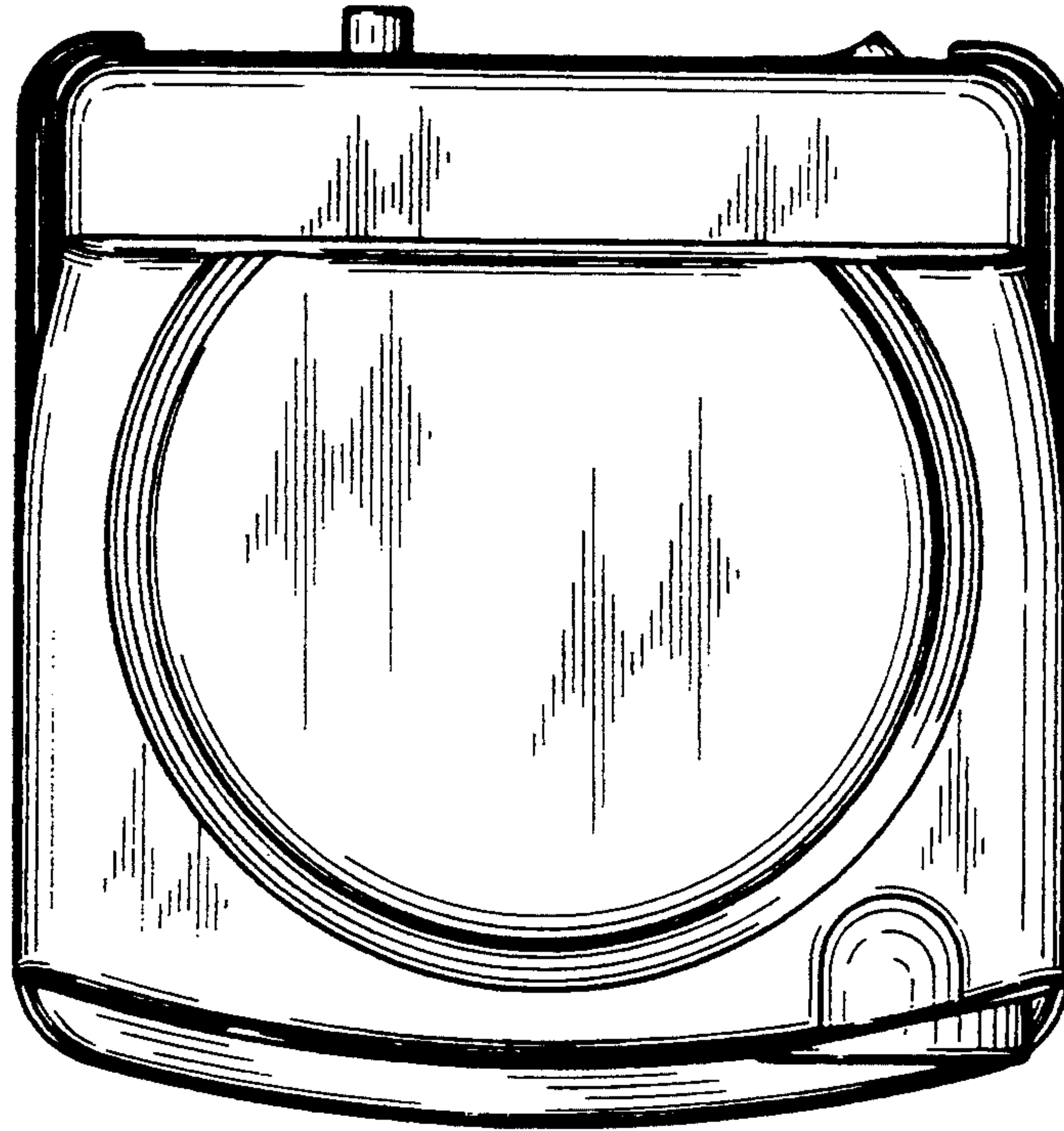


FIG. 4

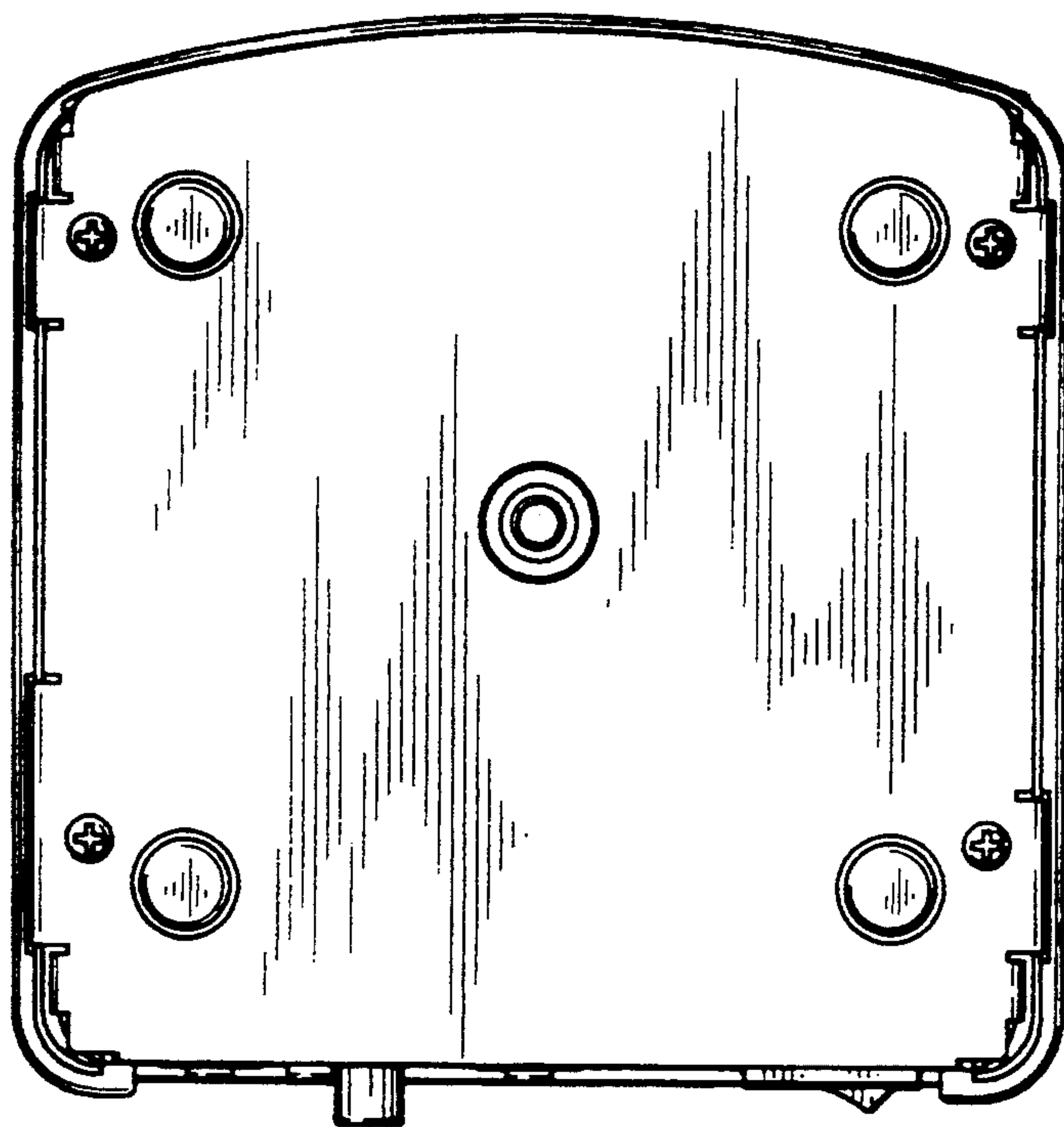


FIG. 5

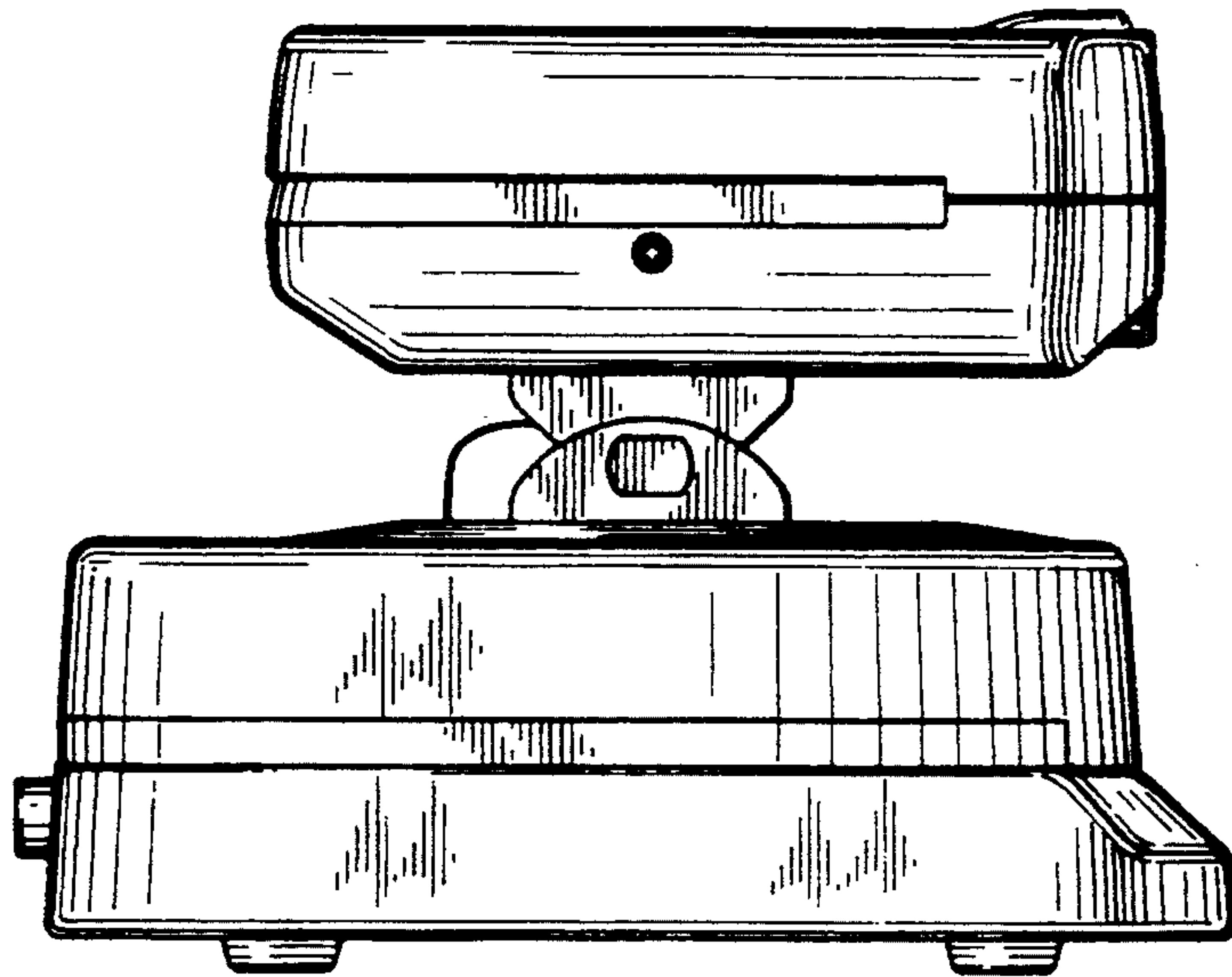


FIG. 6

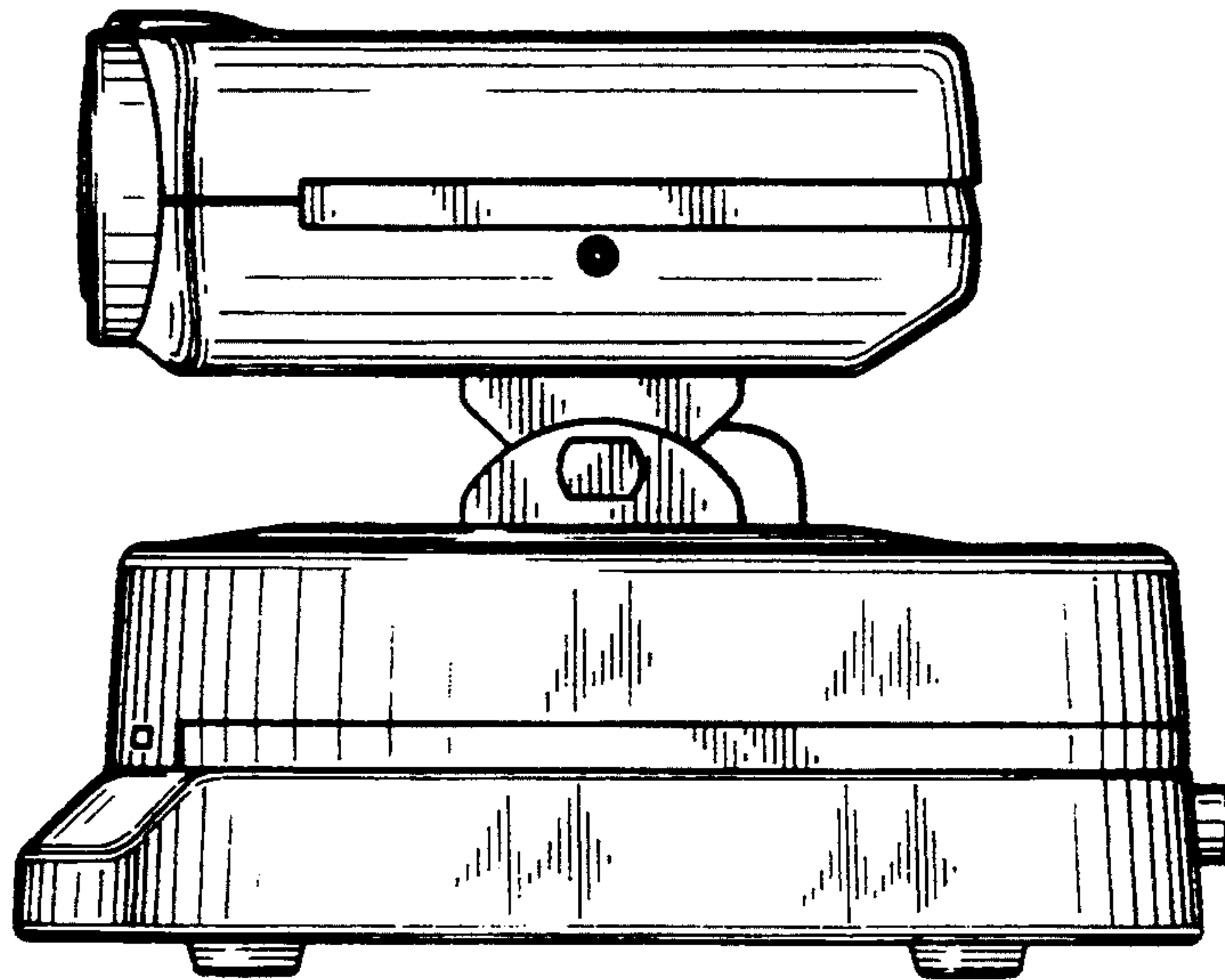


FIG. 7

