



US00D355919S

United States Patent [19]

[11] Patent Number: **Des. 355,919**

Larson et al.

[45] Date of Patent: **** Feb. 28, 1995**

[54] **COMBINED AGRICULTURAL-SPRAYER AND APPLICATOR**

4,886,208	12/1989	Strand	239/662
5,242,120	9/1993	Barber et al.	239/662
5,267,696	12/1993	Balmer	239/172

[75] Inventors: **Roger L. Larson, Waconia; Norman A. Bauer, Watertown, both of Minn.**

[73] Assignee: **Ag-Chem Equipment Co., Inc., Minnetonka, Minn.**

[**] Term: **14 Years**

[21] Appl. No.: **7,887**

[22] Filed: **May 3, 1993**

[52] U.S. Cl. **D15/13; D15/26**

[58] Field of Search **D15/10-26; 180/89.1; 239/146, 172, 175; 280/638; 211/266**

[56] **References Cited**

U.S. PATENT DOCUMENTS

D. 212,845	12/1968	Jones	D15/13
D. 245,331	8/1977	Tangeman	D15/13
D. 257,979	1/1981	Clark et al.	D15/13
D. 344,737	3/1994	Long et al.	D15/13
4,834,249	5/1989	Dahl	239/172

OTHER PUBLICATIONS

Mertz Mini Spray 375 Applicator.

Primary Examiner—Bernard Ansher

Assistant Examiner—Sandra Morris

Attorney, Agent, or Firm—Haugen and Nikolai

[57] **CLAIM**

The ornamental design for the combined agricultural sprayer and applicator, as shown and described.

DESCRIPTION

FIG. 1 is a front and right side perspective view of the combined agricultural sprayer and applicator, showing our new design;

FIG. 2 is a right side elevational view thereof;

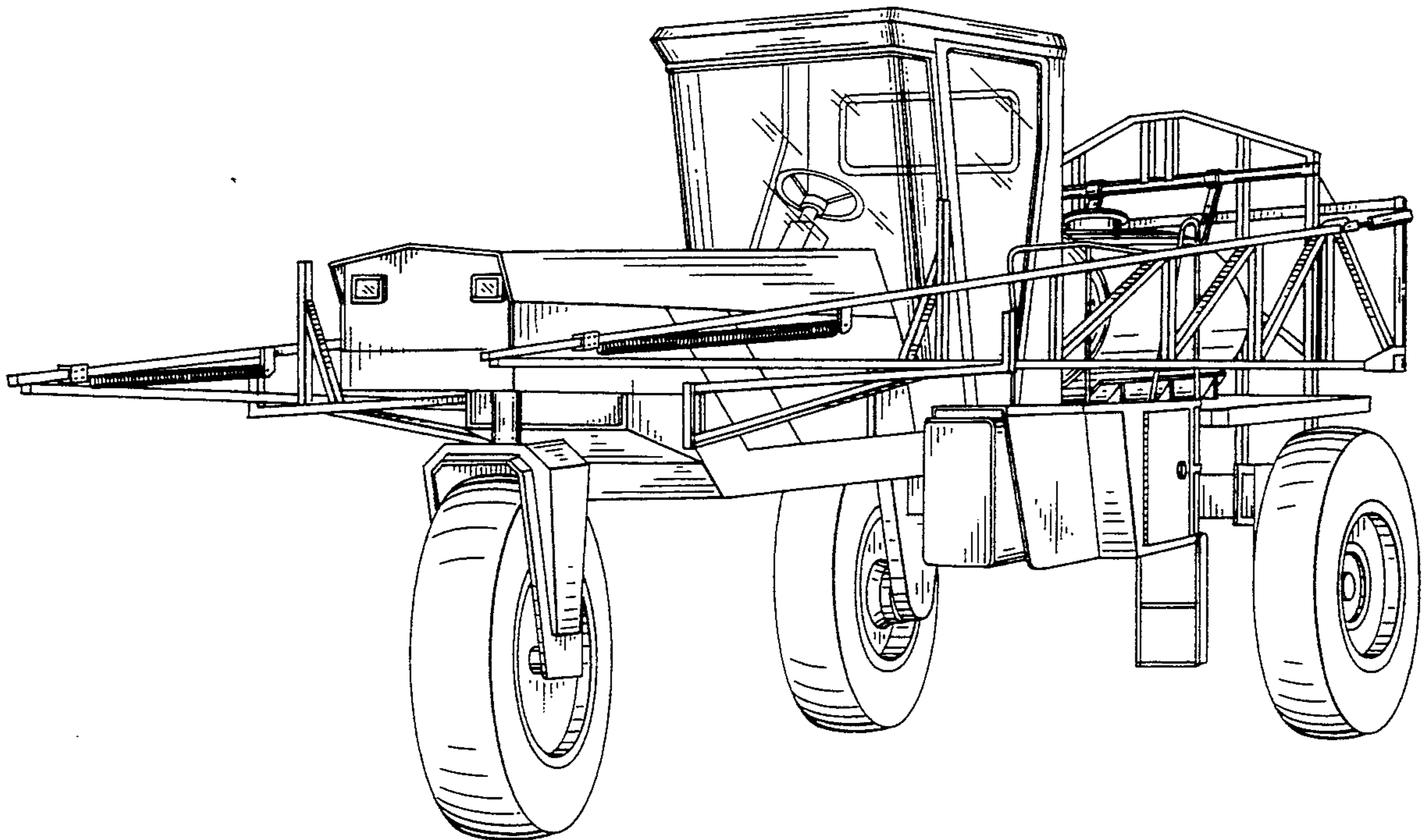
FIG. 3 is a left side elevational view thereof;

FIG. 4 is a front elevational view;

FIG. 5 is a rear elevational view;

FIG. 6 is a top plan view; and,

FIG. 7 is a bottom plan view.



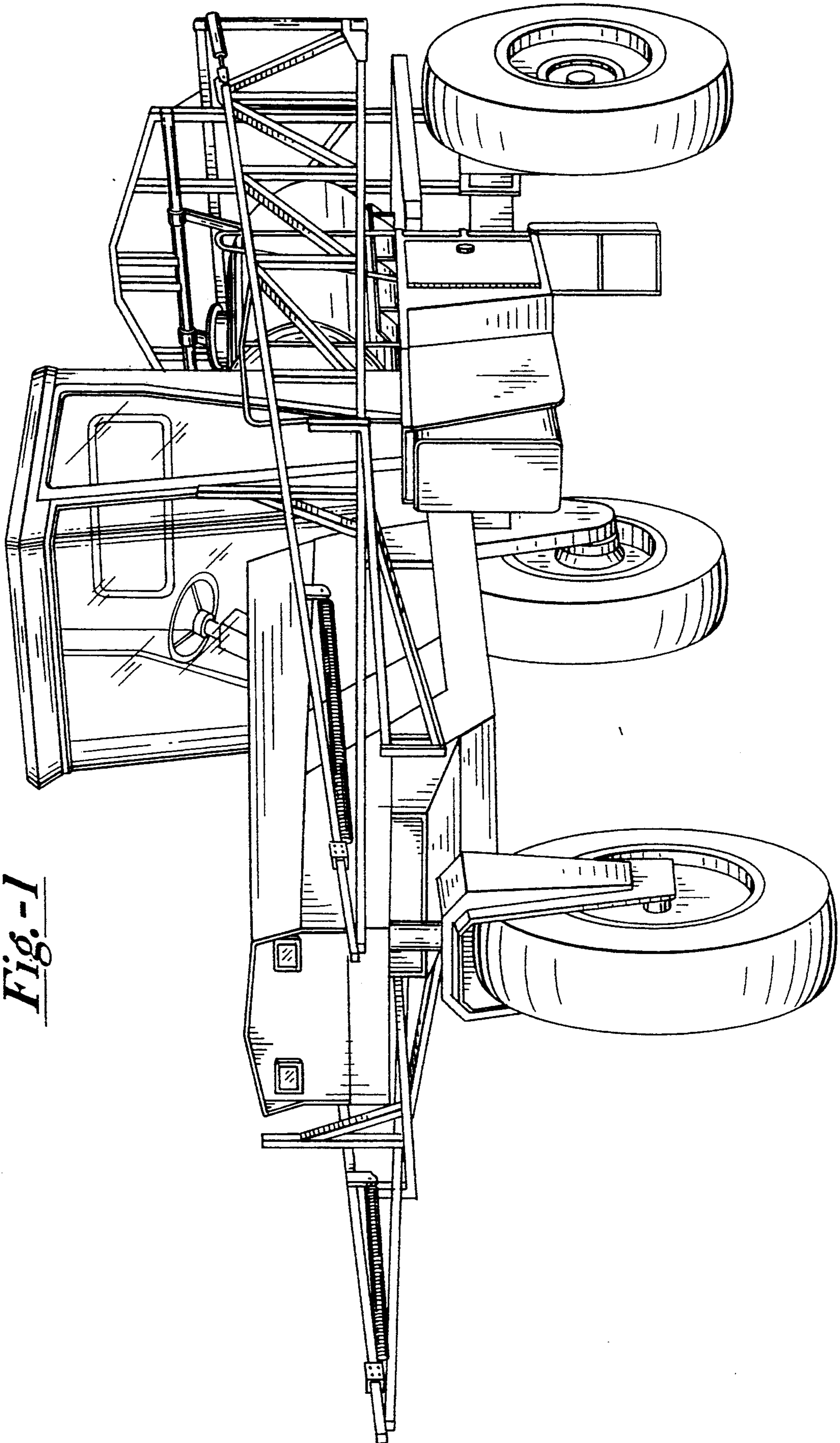


Fig. -1

Fig.-2

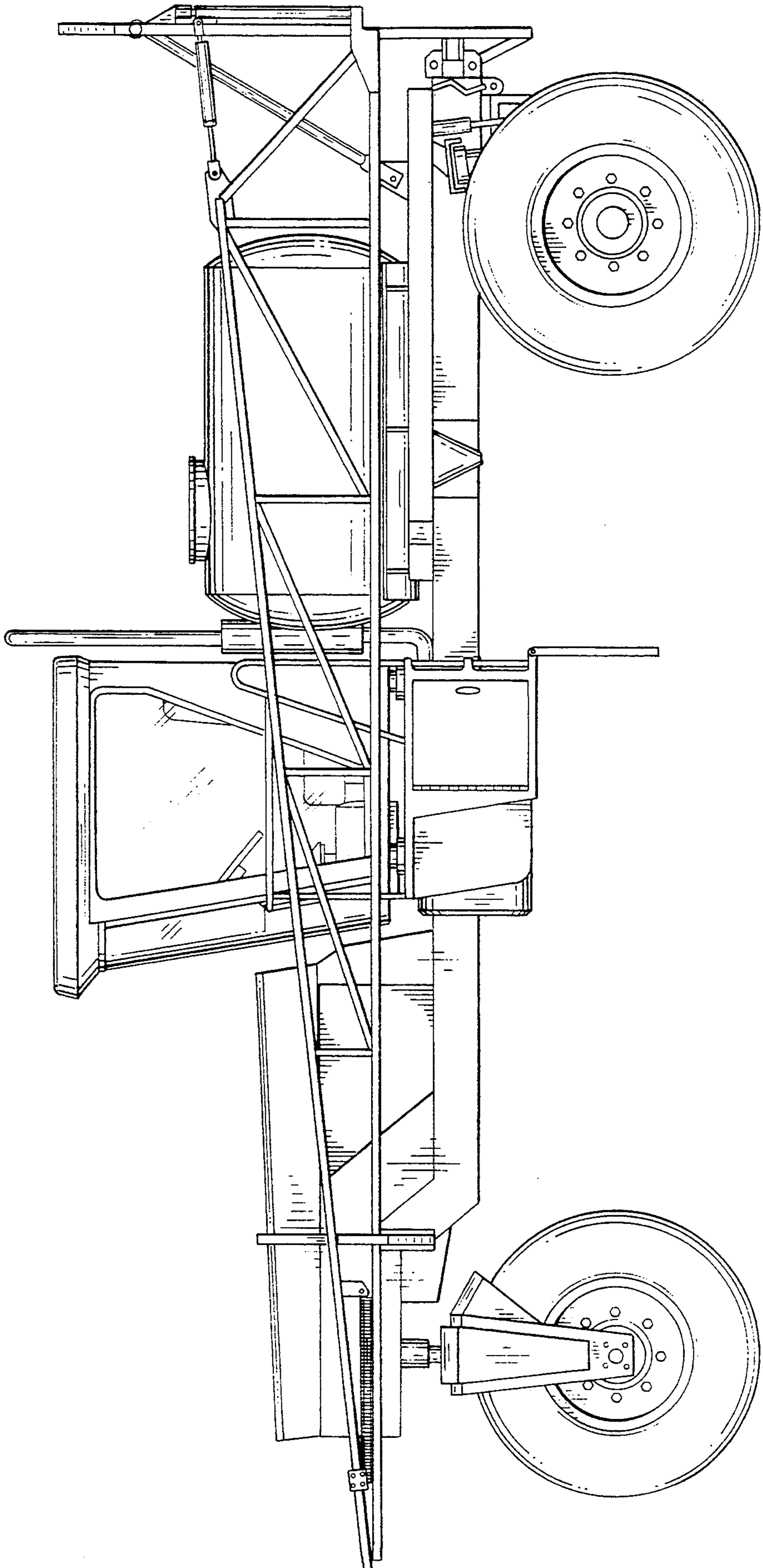
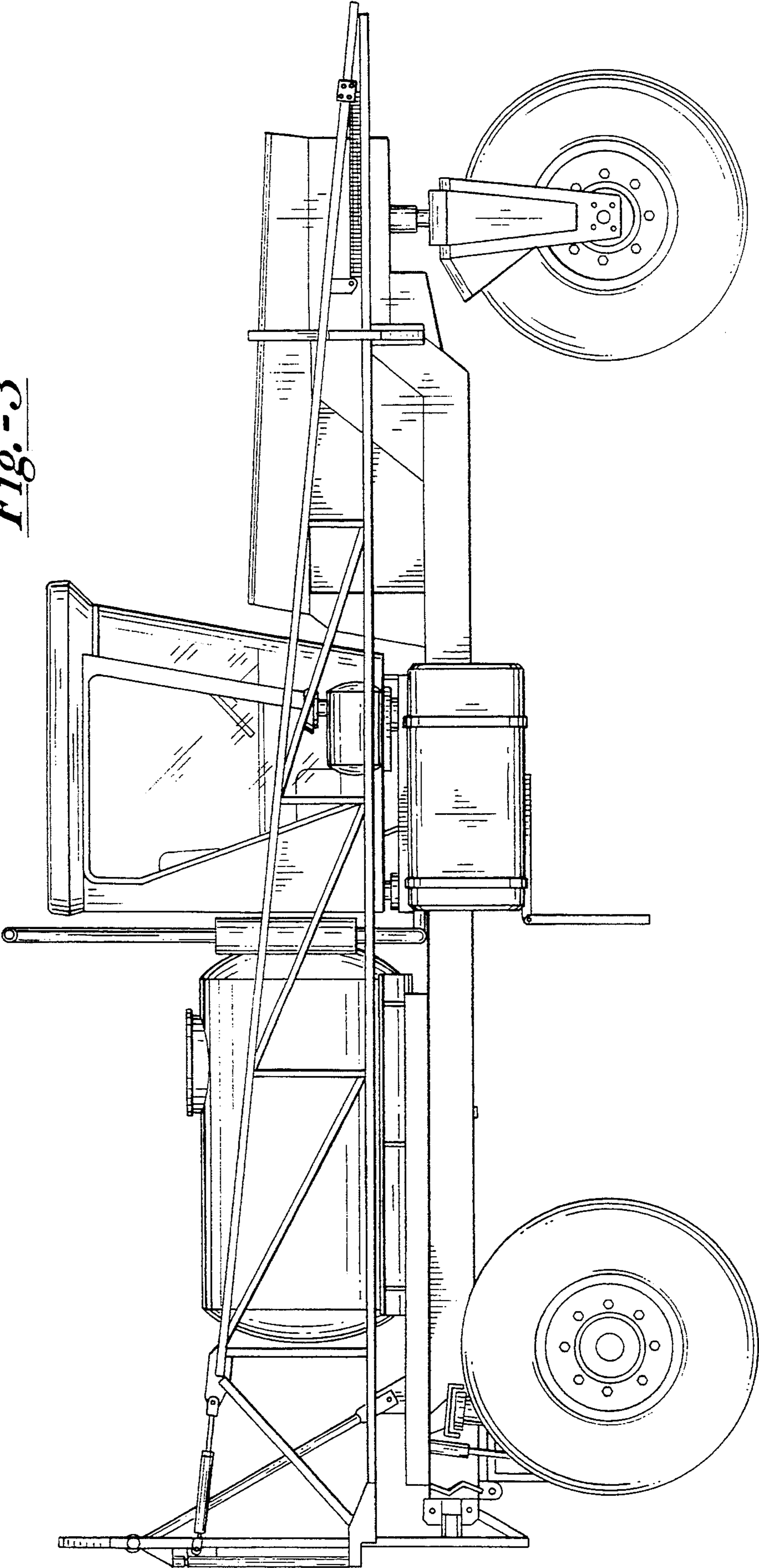
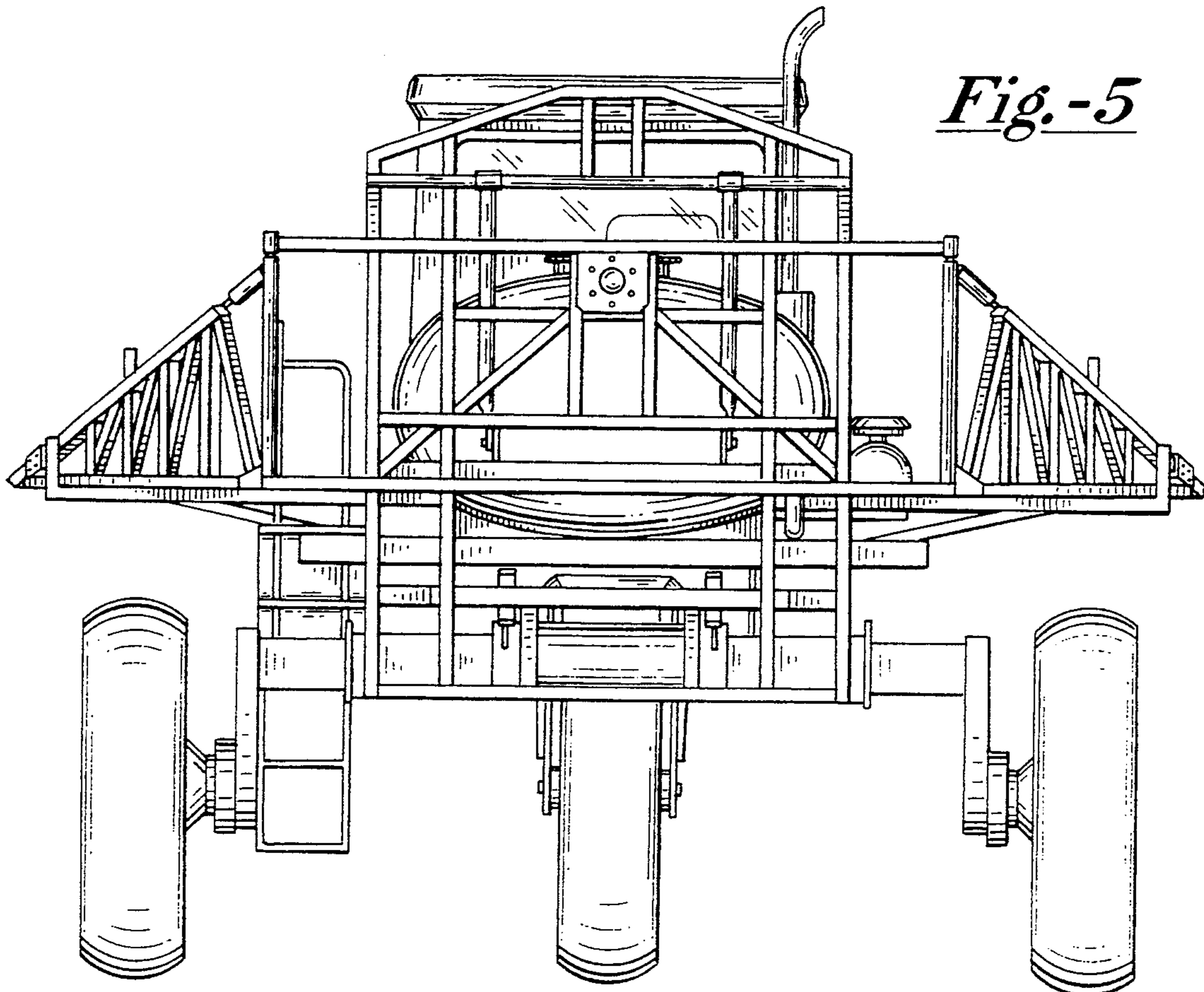
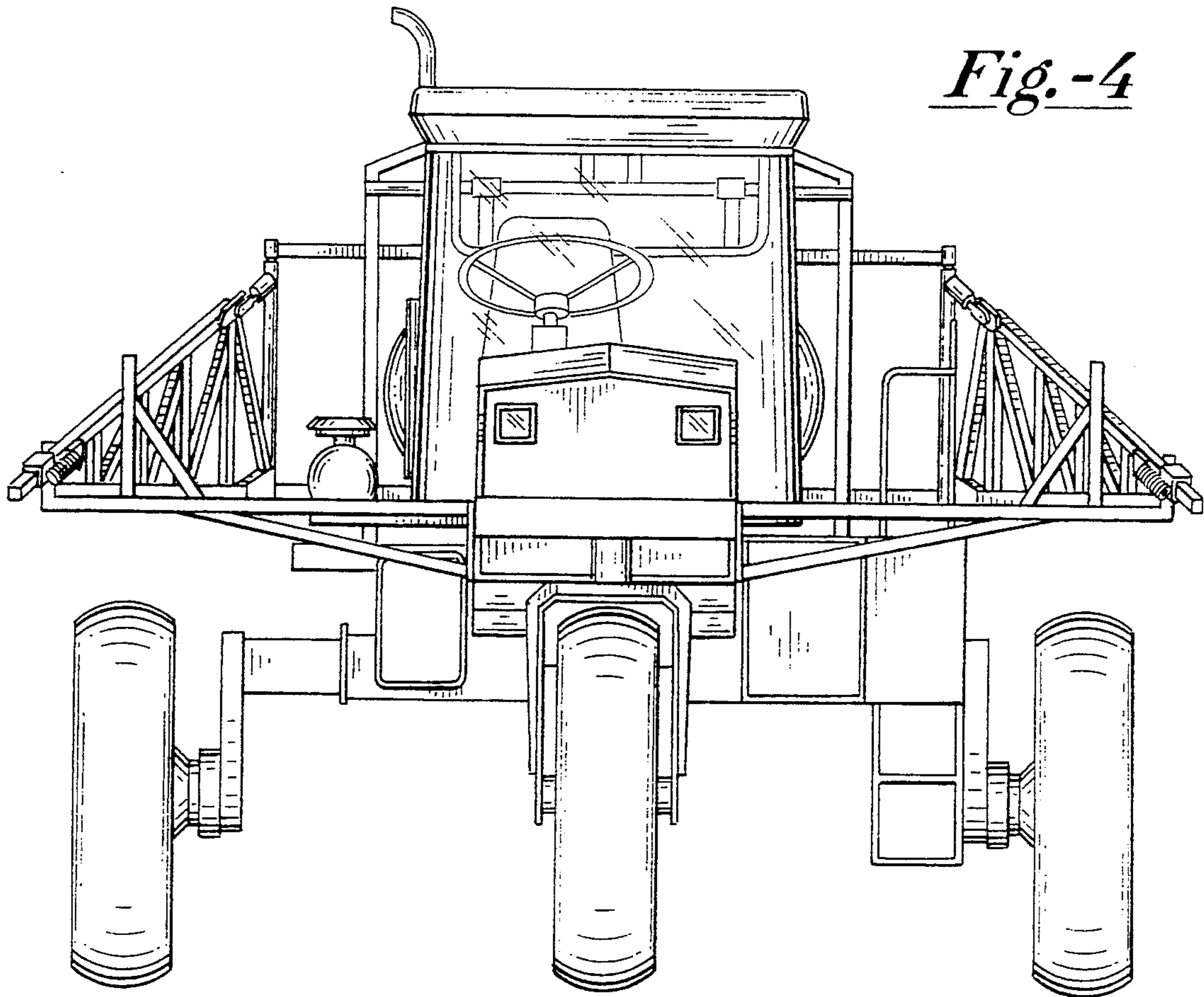


Fig.-3





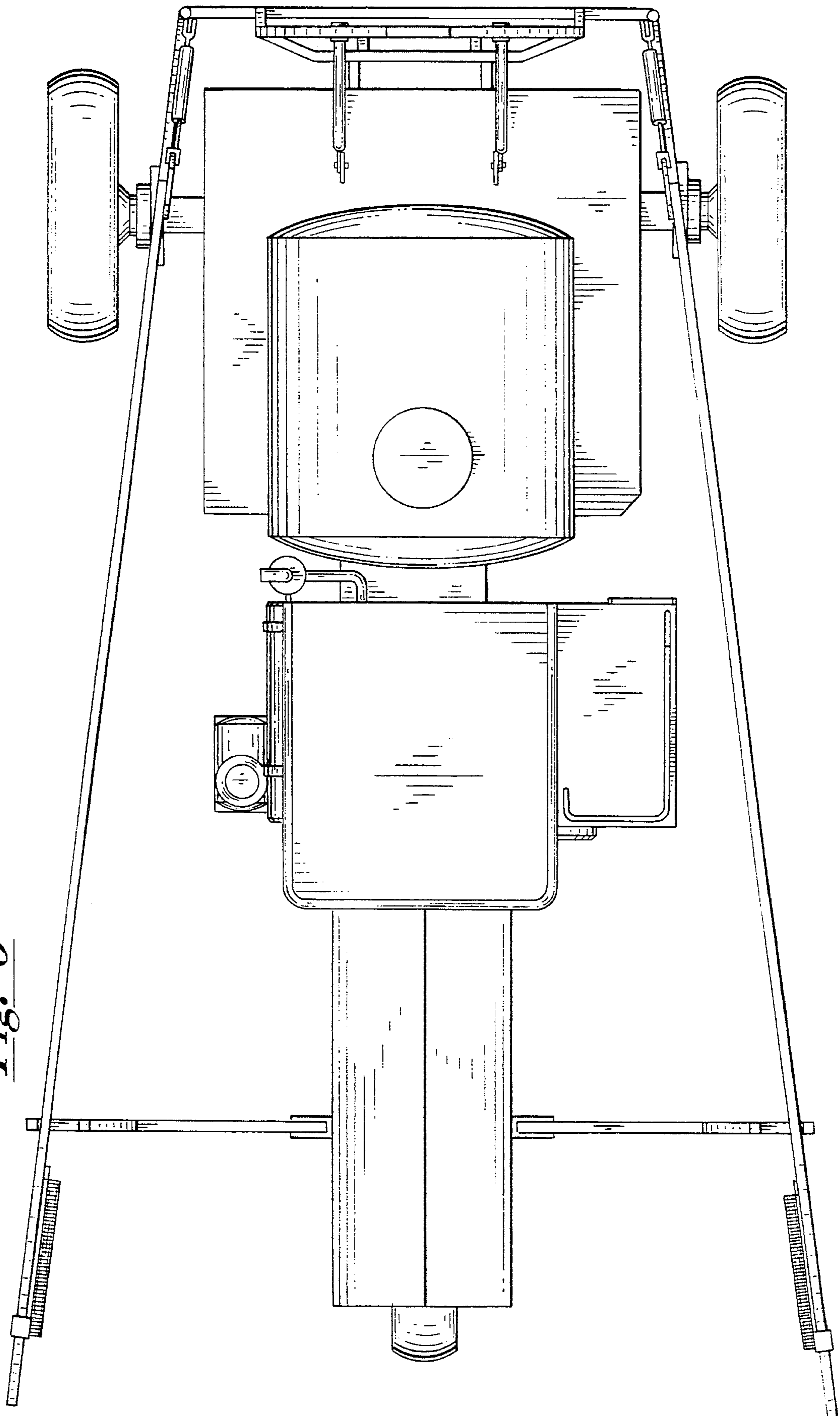


Fig.-6

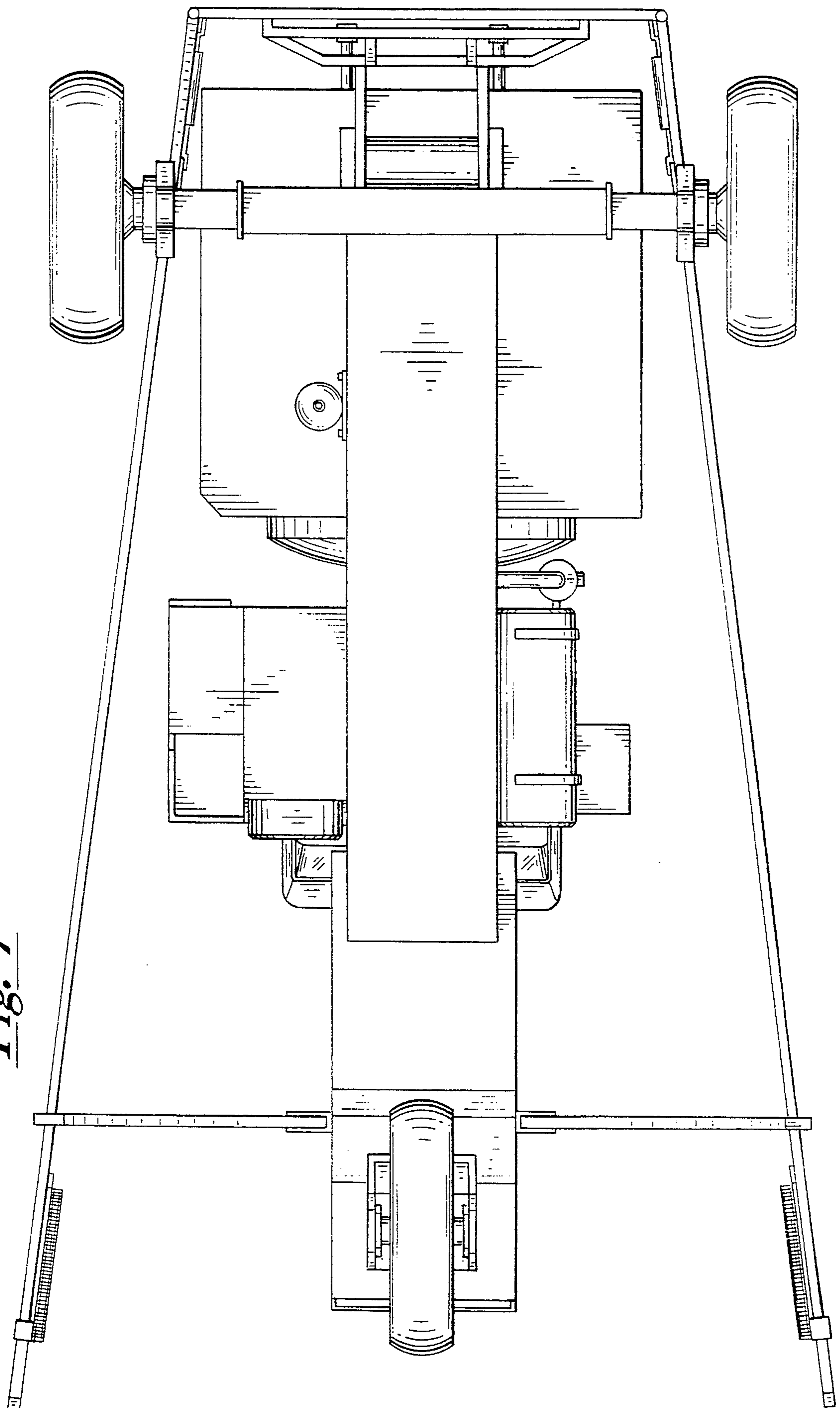


Fig.-7