



US00D355912S

United States Patent [19]

[11] Patent Number: **Des. 355,912**

Wicks et al.

[45] Date of Patent: **** Feb. 28, 1995**

[54] **CORDLESS TELEPHONE**

[75] Inventors: **James Wicks**, Hoboken, N.J.; **Ichiro Hino**, Kanagawa, Japan

[73] Assignee: **Sony Electronics, Inc.**, Park Ridge, N.J.

[**] Term: **14 Years**

[21] Appl. No.: **17,058**

[22] Filed: **Jan. 5, 1994**

[52] U.S. Cl. **D14/148**

[58] Field of Search **D14/116, 140, 137, 138, D14/142, 240, 149-151, 147, 148, 241, 248; 379/58-61, 433, 419, 420, 428, 440**

[56] **References Cited**

U.S. PATENT DOCUMENTS

D. 284,759	7/1986	Nagele et al.	D14/138
D. 302,154	7/1989	Ohta et al.	D14/138
D. 305,118	12/1989	Pfeifer et al.	D14/147 X
D. 316,857	5/1991	Park	D14/147 X
D. 335,666	5/1993	Roegner	D14/138
D. 347,005	5/1994	Suzuki	D14/138
D. 347,220	5/1994	Katoh	D14/138
D. 348,665	7/1994	Nagele	D14/138

OTHER PUBLICATIONS

Spiegel Catalog p. 521, Sony Cordless phone at lower right.

The Sharper Image Jun. 1990, Sony Cordless phone at top right.

Primary Examiner—Nelson C. Holtje

Assistant Examiner—Jeffrey Asch

Attorney, Agent, or Firm—Jay H. Maioli

[57] **CLAIM**

The ornamental design for a cordless telephone, as shown and described.

DESCRIPTION

FIG. 1 is a top, front and right-side perspective view of a cordless telephone, showing our new design;

FIG. 2 is a bottom, rear, and left side perspective view thereof, shown installed on a base unit, the base unit is shown by means of broken lines for illustrating environment only and forms no part of the claimed design;

FIG. 3 is a front elevational view thereof;

FIG. 4 is a rear elevational view thereof;

FIG. 5 is a left-side elevational view thereof;

FIG. 6 is a right-side elevational view thereof;

FIG. 7 is a top plan view thereof; and,

FIG. 8 is a bottom plan view thereof.

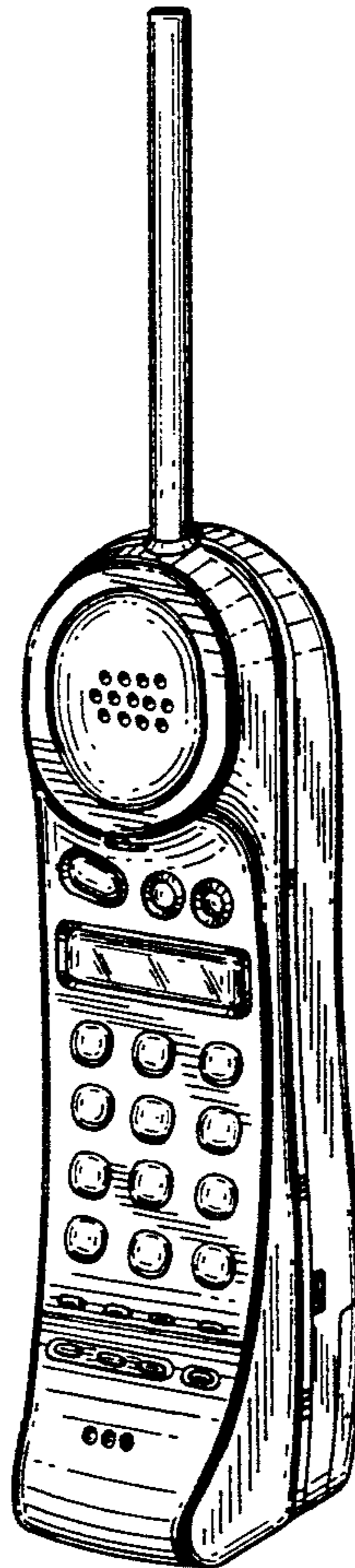


FIG. 1

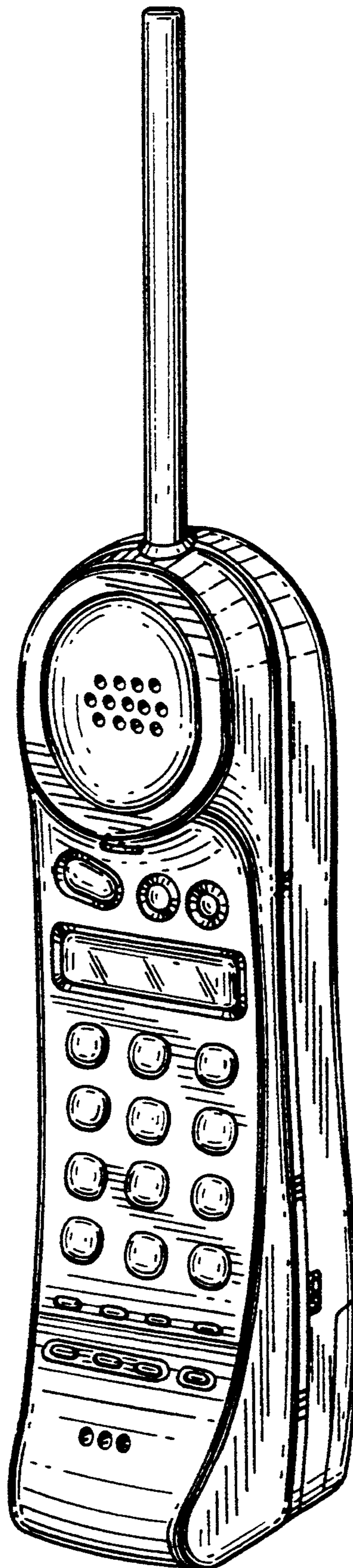
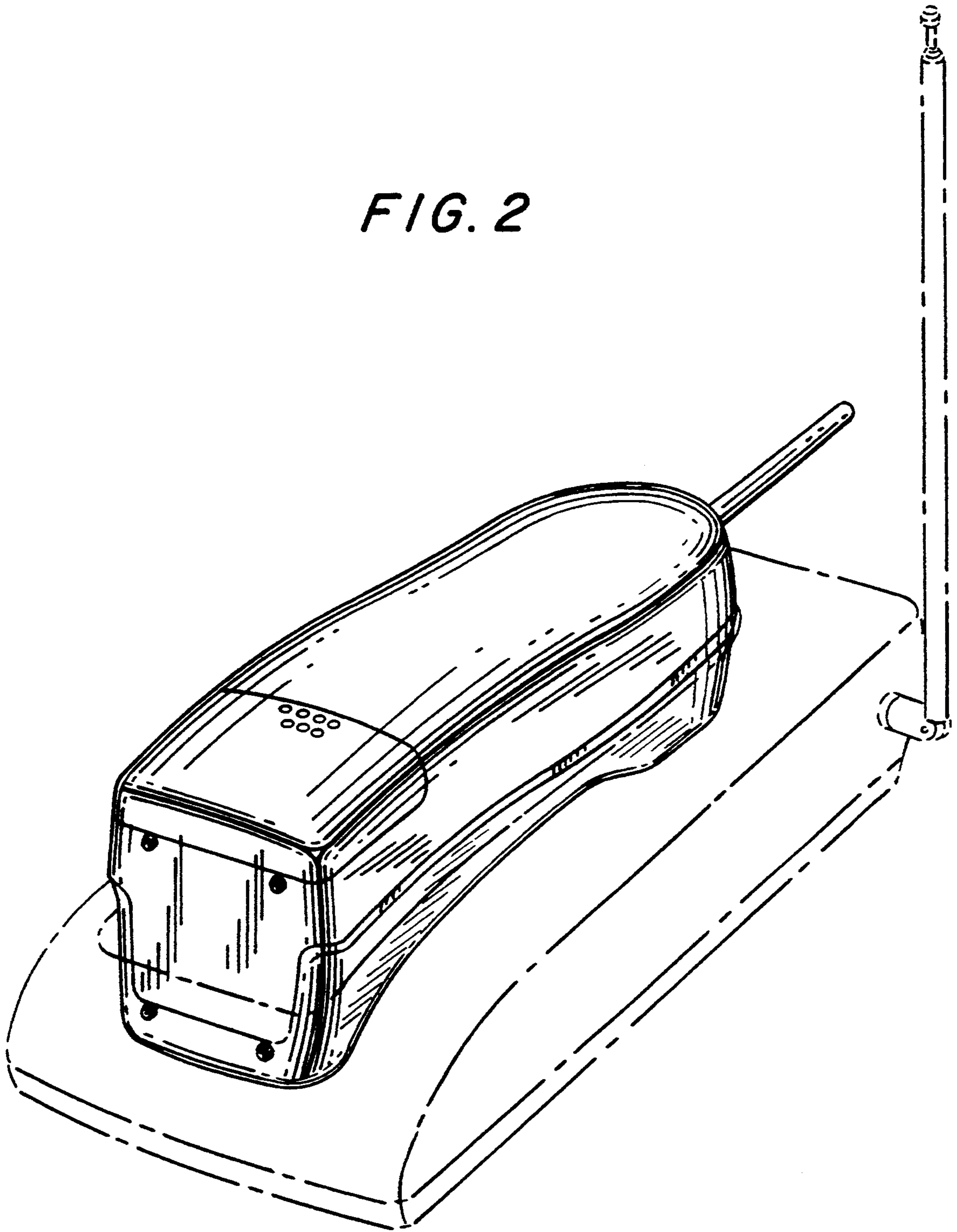


FIG. 2



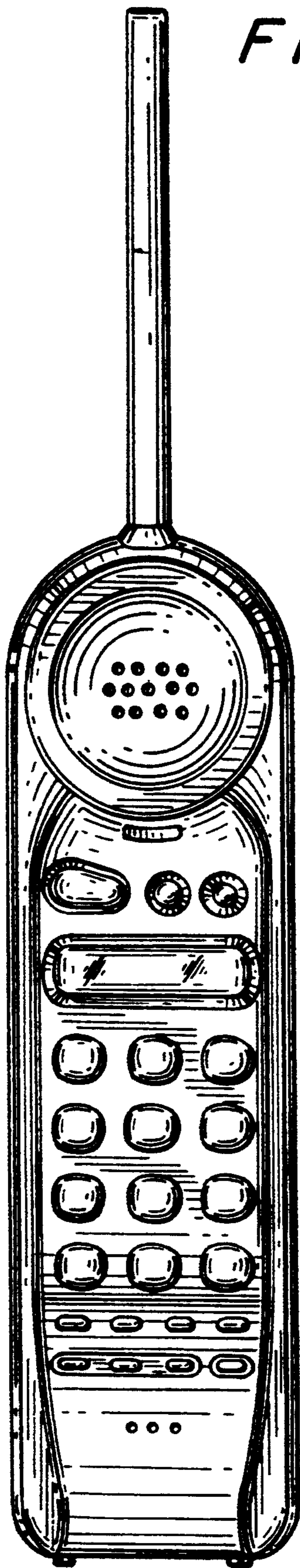


FIG. 3

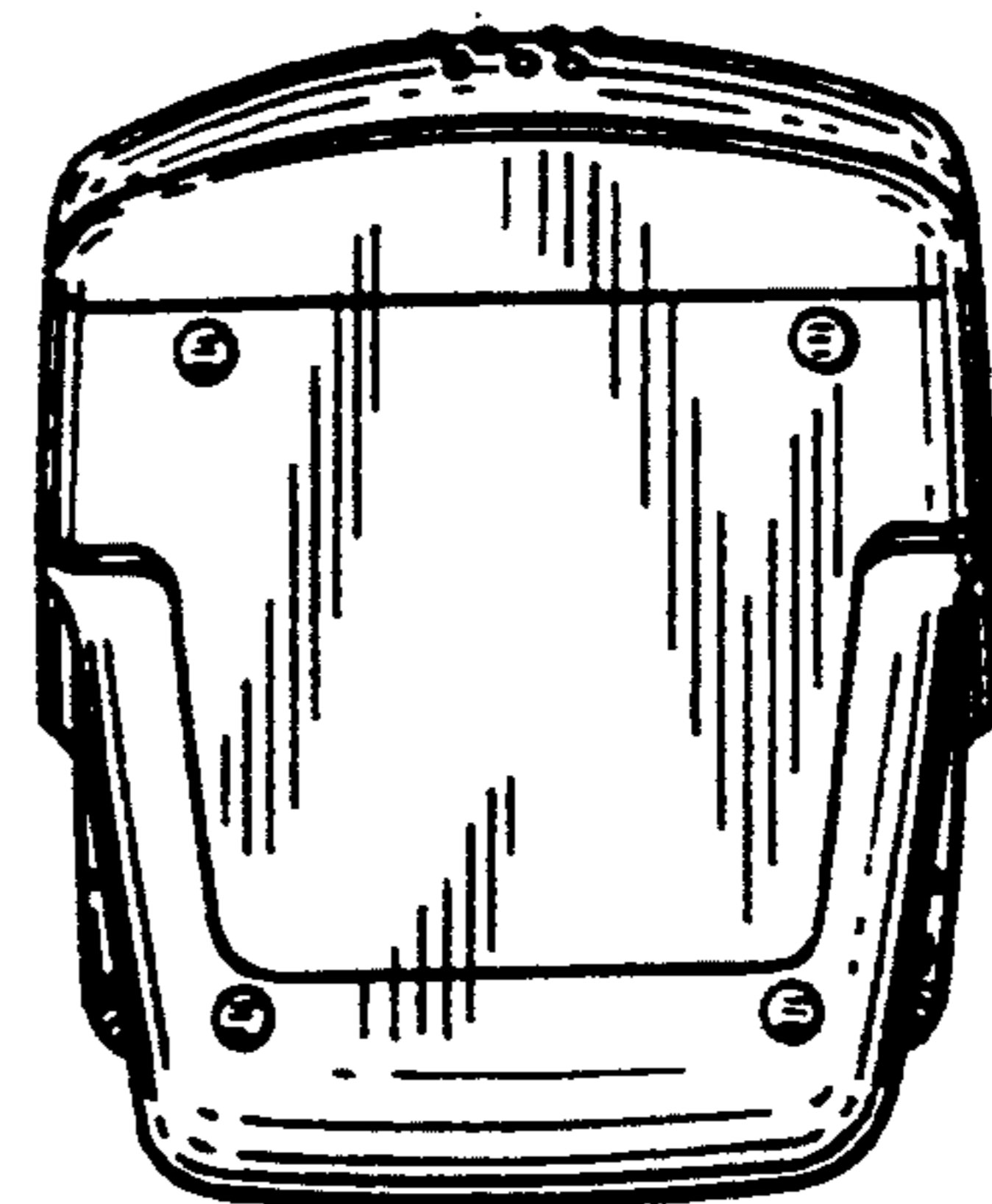


FIG. 8

FIG. 4

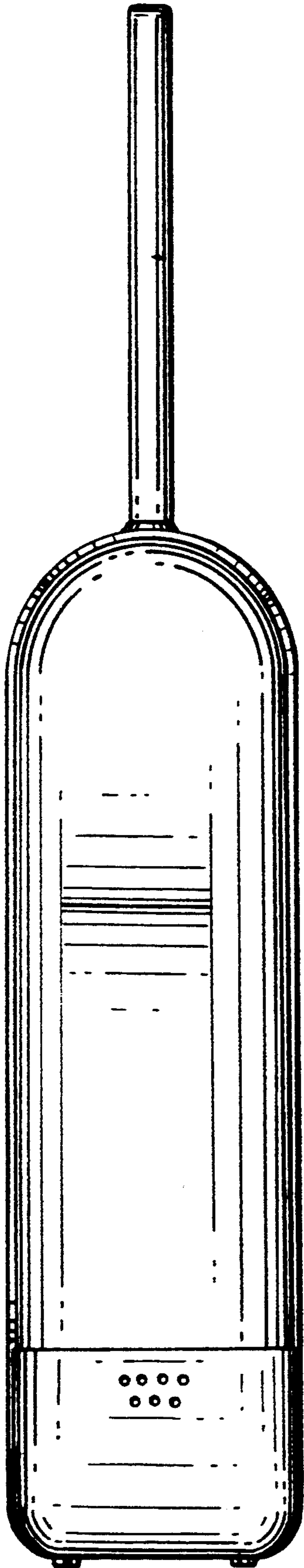


FIG. 6

