



US00D355905S

United States Patent [19]

[11] Patent Number: **Des. 355,905**

Takeuchi

[45] Date of Patent: **** Feb. 28, 1995**

[54] **FACSIMILE TRANSMITTER-RECEIVER**

D. 338,666 8/1993 Miyazawa D14/118

[75] Inventor: **Motoaki Takeuchi**, Tokyo, Japan

OTHER PUBLICATIONS

[73] Assignee: **Canon Kabushiki Kaisha**, Tokyo, Japan

Modern Office Technology, Dec. 1986, p. 40, Compact, light fax-TransFAX I.

[**] Term: **14 Years**

Office Products Dealer, May 1989, p. 78, Center of page—ComFAX Model 3350.

[21] Appl. No.: **15,558**

Primary Examiner—Theodore M. Shooman
Attorney, Agent, or Firm—Fitzpatrick, Cella, Harper & Scinto

[22] Filed: **Nov. 22, 1993**

[30] **Foreign Application Priority Data**

[57] **CLAIM**

[52] U.S. Cl. **D14/118**

The ornamental design for a facsimile transmitter-receiver, as shown and described.

[58] Field of Search D14/118, 124, 299;
358/400, 401

DESCRIPTION

[56] **References Cited**

U.S. PATENT DOCUMENTS

- D. 314,377 2/1991 Watanabe et al. D14/118
- D. 314,955 2/1994 Watanabe D14/118
- D. 331,401 12/1992 Takeuchi D14/118
- D. 331,923 12/1992 Hiroki et al. D14/118
- D. 338,196 8/1993 Takeuchi D14/118

FIG. 1 is a front elevational view of a facsimile transmitter-receiver showing my new design;
 FIG. 2 is a rear elevational view thereof;
 FIG. 3 is a top plan view thereof;
 FIG. 4 is a bottom plan view thereof;
 FIG. 5 is a left side elevational view thereof;
 FIG. 6 is a right side elevational view thereof; and,
 FIG. 7 is a perspective view thereof.

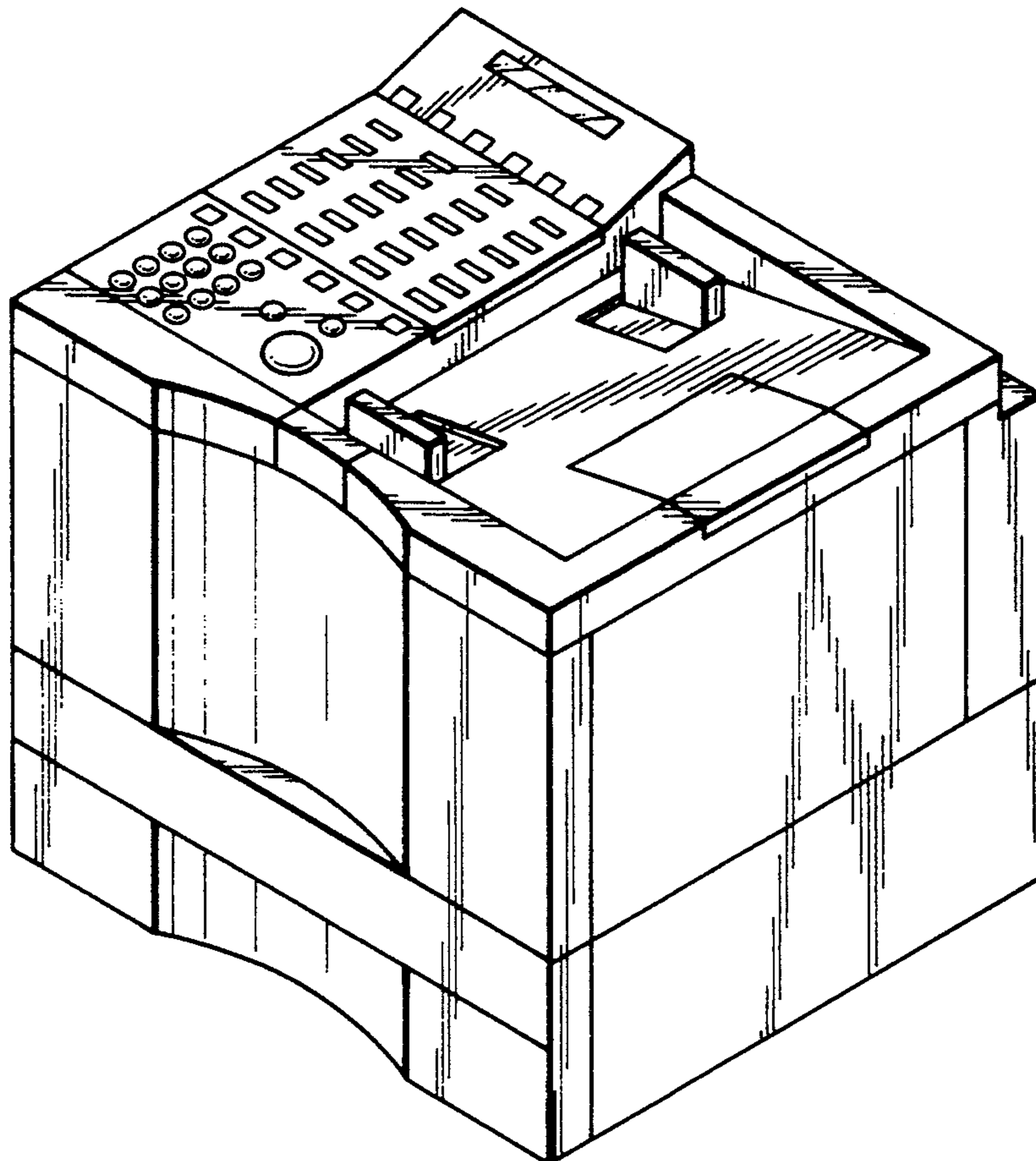


FIG. 1

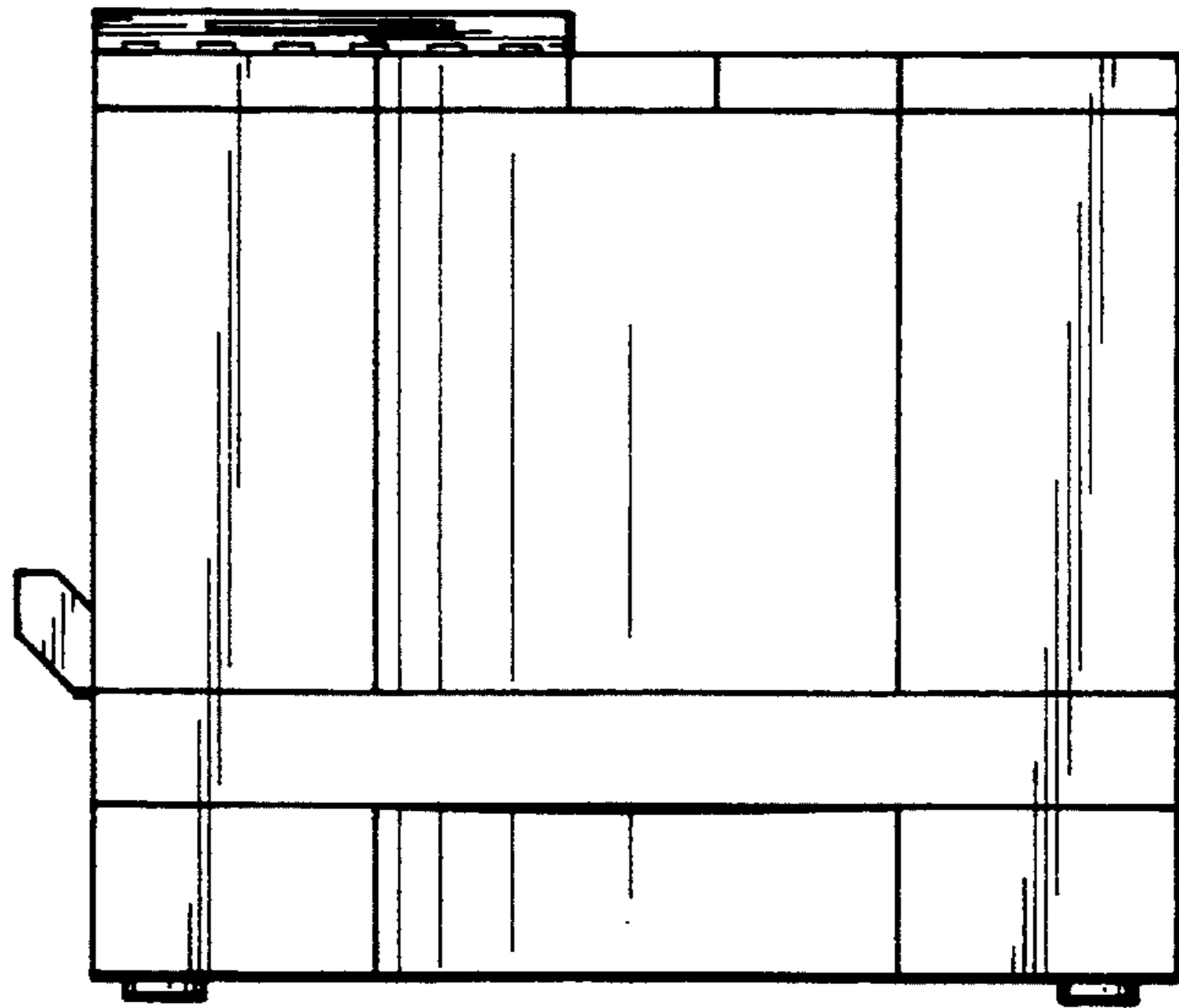


FIG. 2

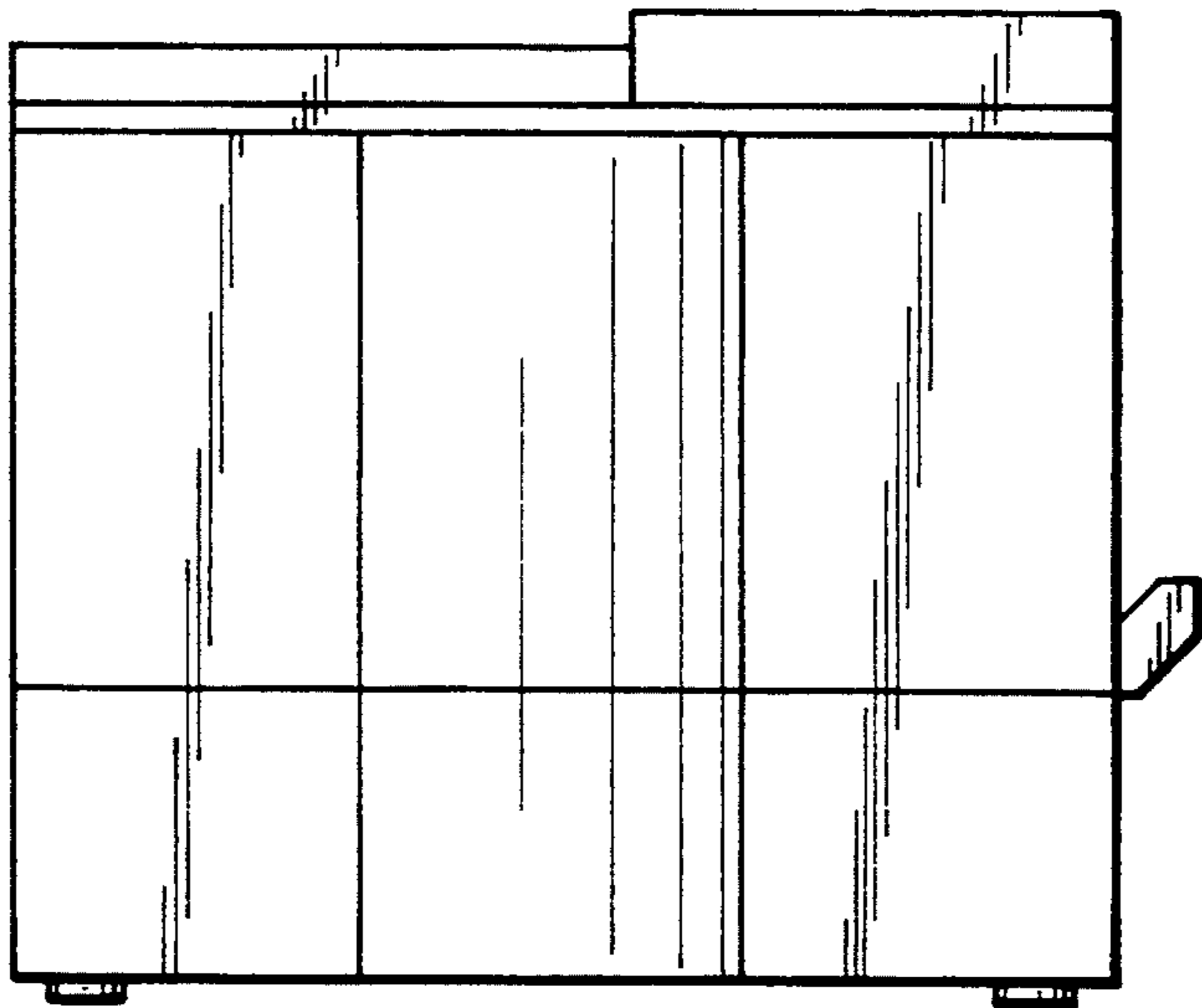


FIG. 3

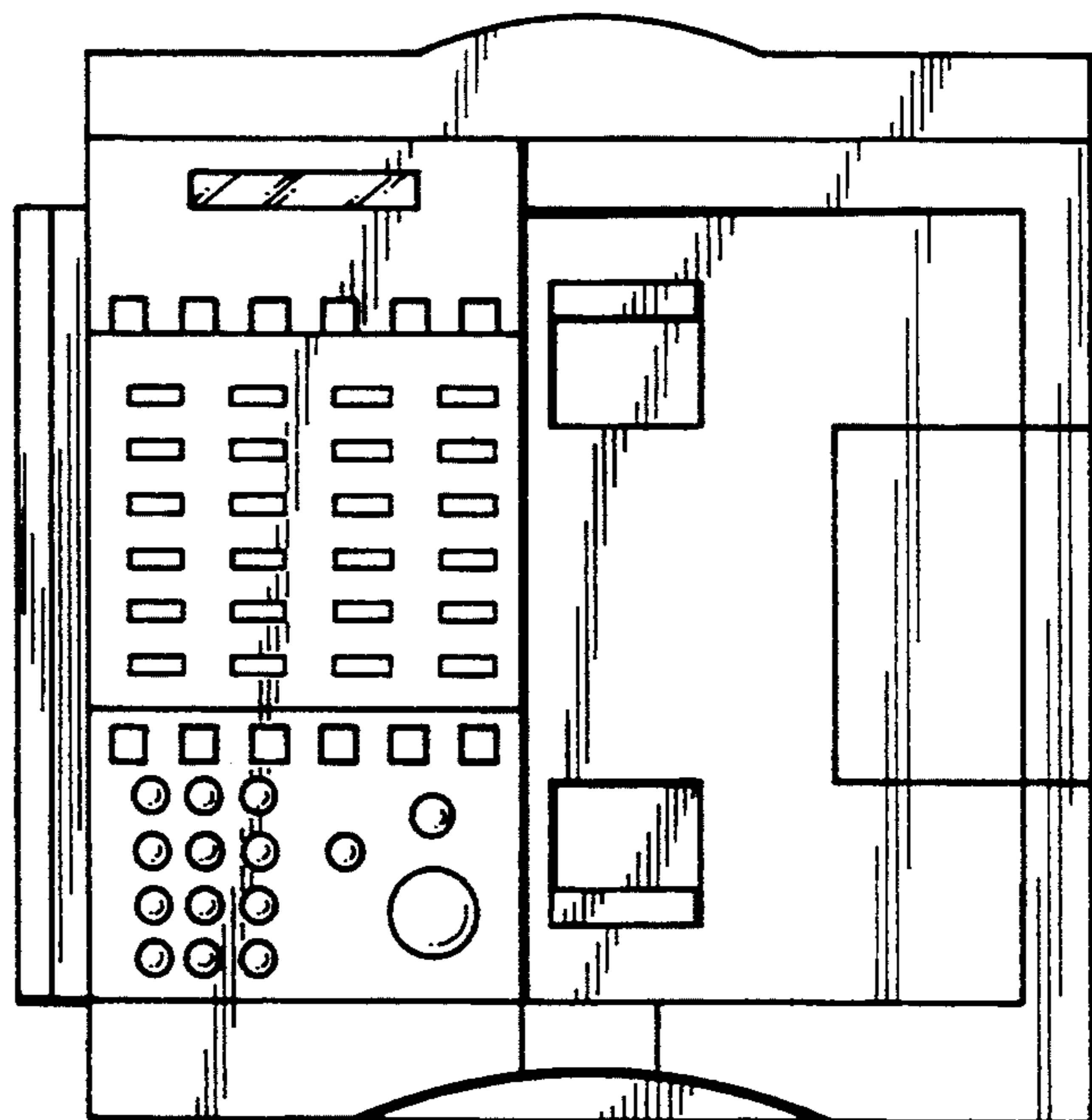


FIG. 4

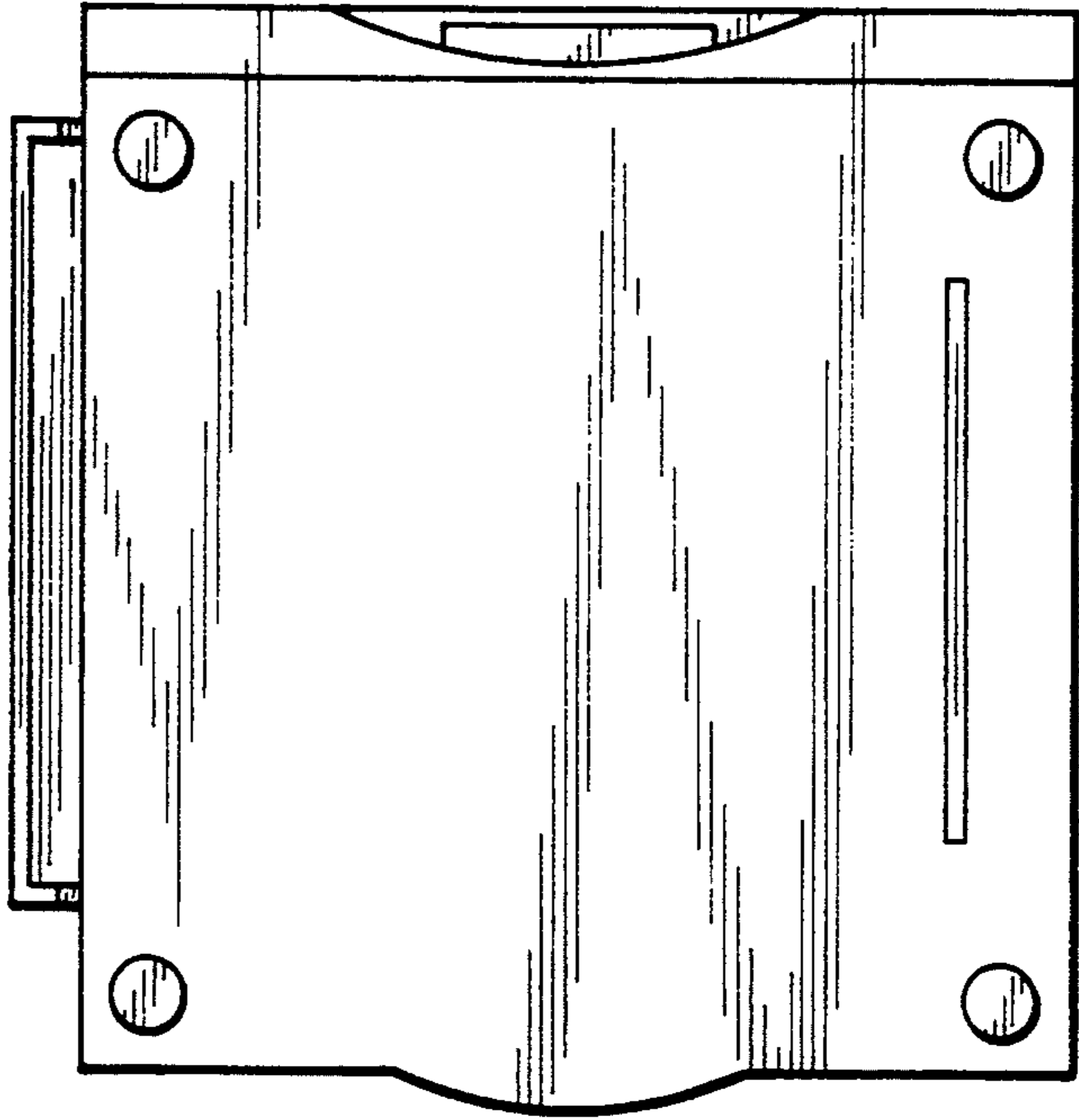


FIG. 5

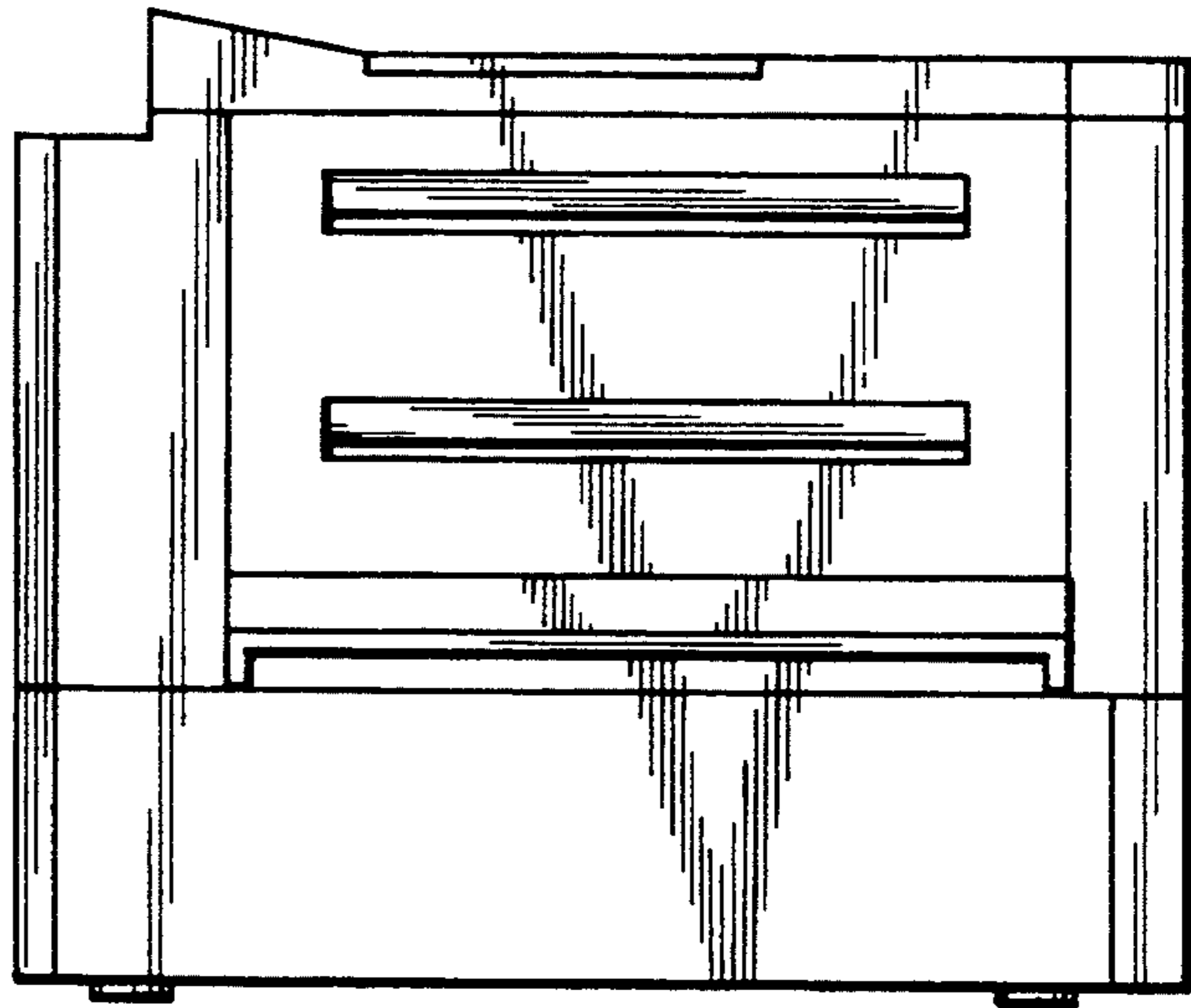


FIG. 6

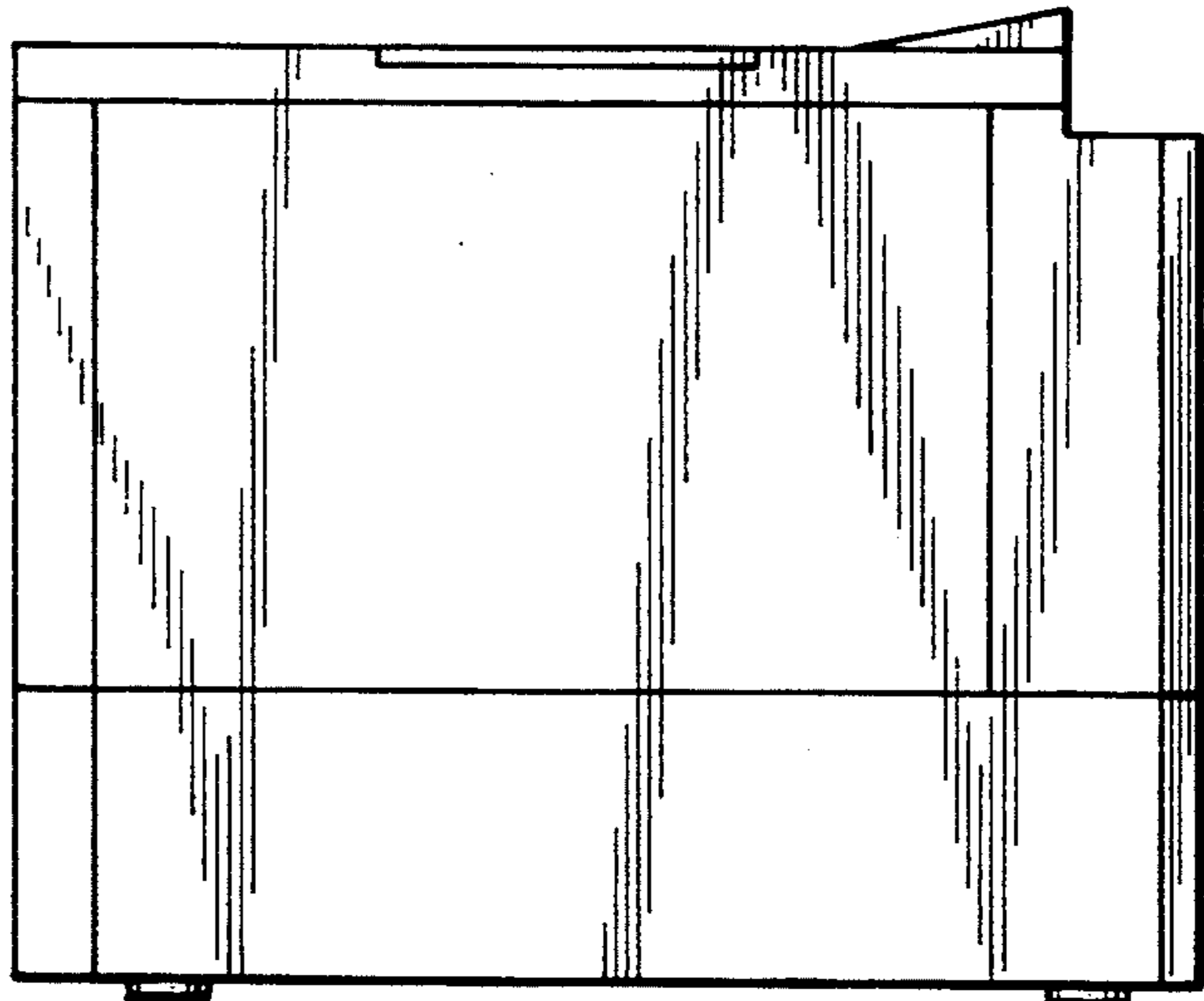
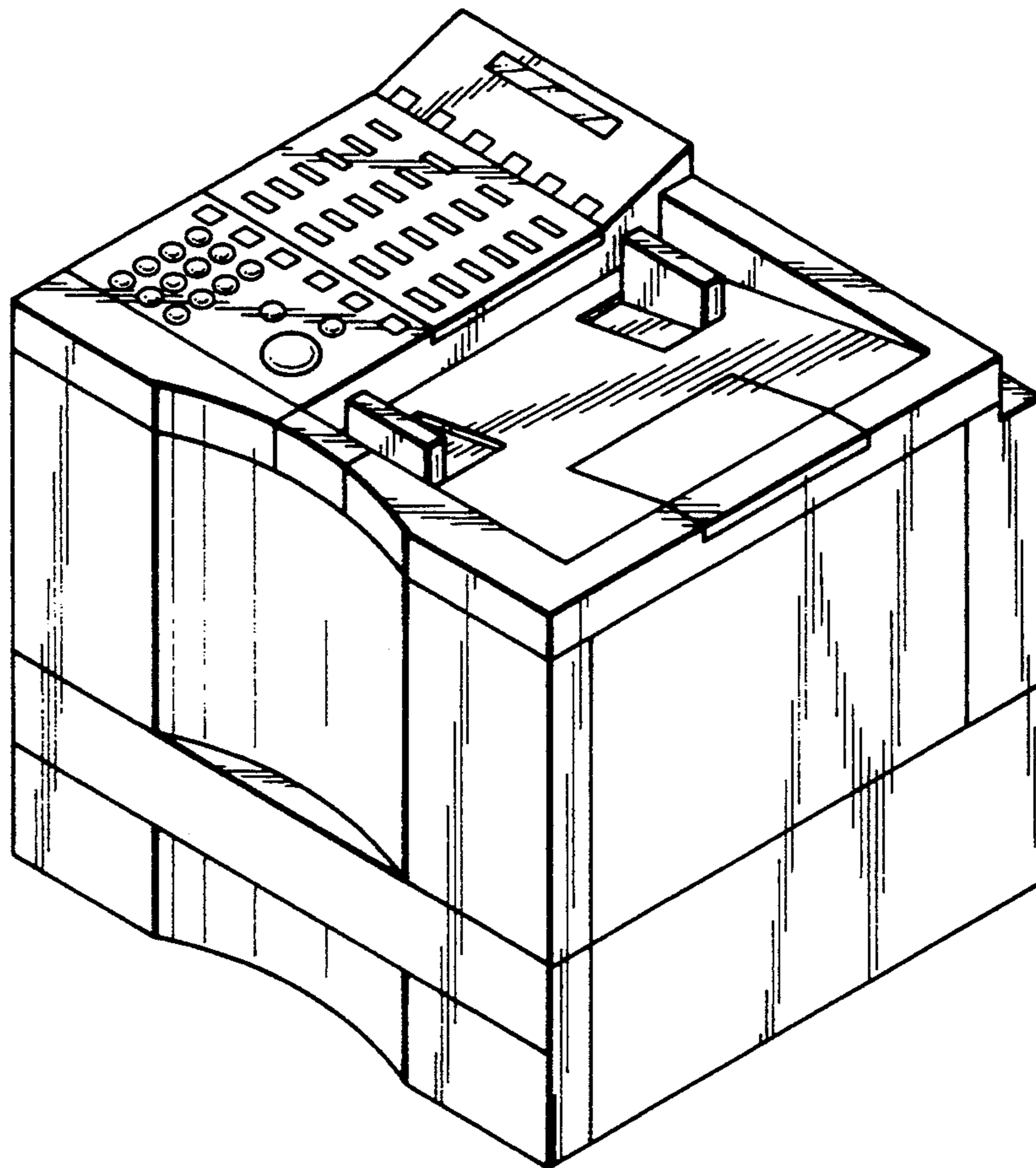


FIG. 7



UNITED STATES PATENT AND TRADEMARK OFFICE
CERTIFICATE OF CORRECTION

PATENT NO. : Des. 355,905
DATED : February 28, 1995
INVENTOR(S) : Motoaki Takeuchi

It is certified that error appears in the above-identified patent and that said Letters Patent is hereby corrected as shown below:

ON THE TITLE PAGE

Under [30] Foreign Application Priority Data insert

--May 24, 1993 [JP] Japan 5-15062--.

Signed and Sealed this
First Day of August, 1995



BRUCE LEHMAN

Commissioner of Patents and Trademarks

Attest:

Attesting Officer