



US00D355903S

United States Patent [19]

[11] Patent Number: **Des. 355,903**

Pollack et al.

[45] Date of Patent: **** Feb. 28, 1995**

[54] **ELECTRONIC SCANNER FOR RETRIEVING STORED DATA FROM THE SIDEWALL OF A TIRE**

5,065,003 11/1991 Wakatsuki et al. D14/116 X
5,218,861 6/1993 Brown et al. 152/539 X

[75] Inventors: **Richard S. Pollack, Boulder; Gene R. Starkey, Niwot, both of Colo.**

Primary Examiner—Wallace R. Burke
Assistant Examiner—M. H. Tung
Attorney, Agent, or Firm—David L. King

[73] Assignee: **The Goodyear Tire & Rubber Company, Akron, Ohio**

[57] **CLAIM**

[**] Term: **14 Years**

The ornamental design for an electronic scanner for retrieving stored data from the sidewall of a tire, as shown and described.

[21] Appl. No.: **7,885**

DESCRIPTION

[22] Filed: **May 3, 1993**

[52] U.S. Cl. **D14/116**

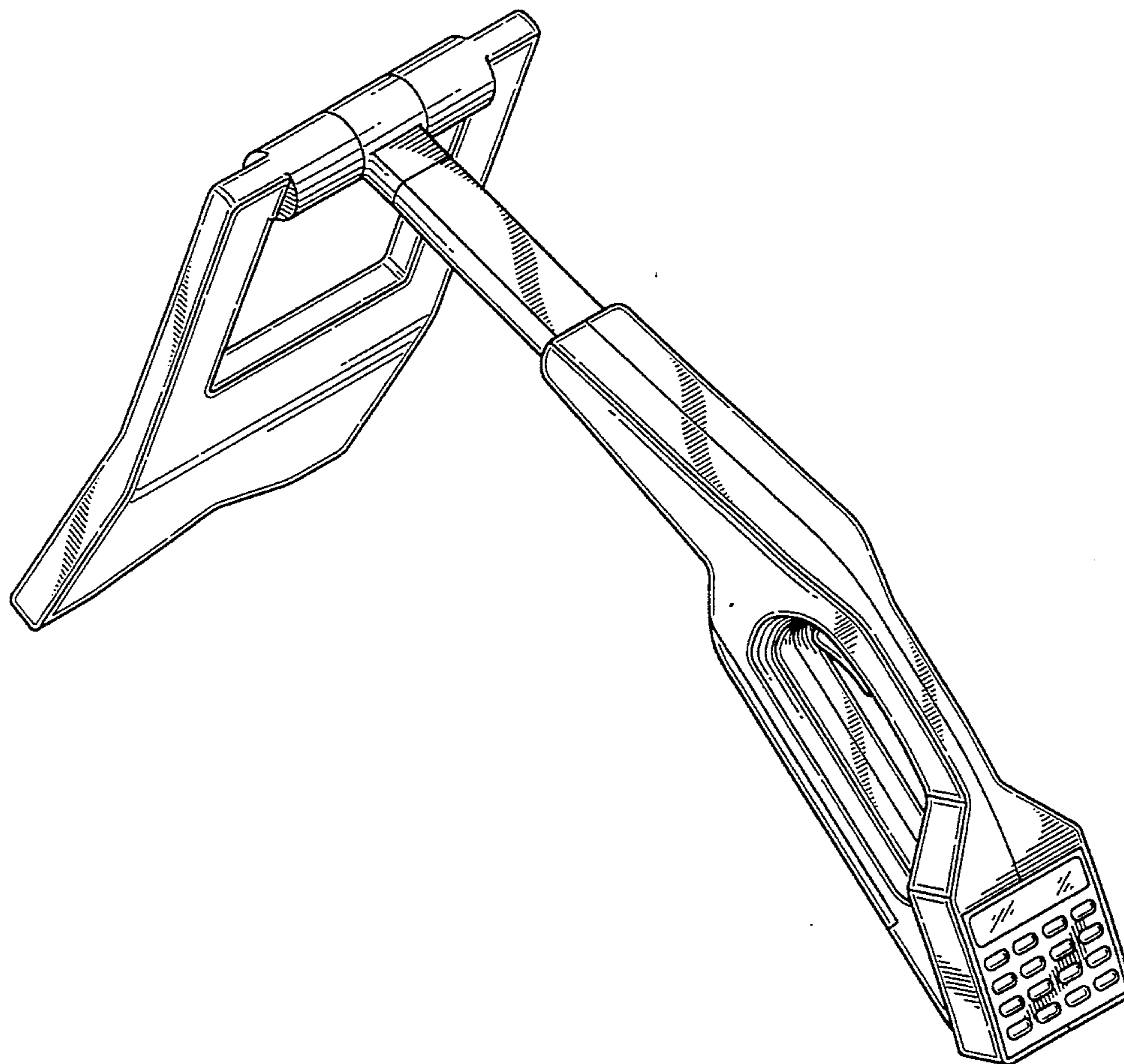
[58] Field of Search D14/100, 114, 116;
235/375, 378, 385, 454, 462, 472, 486;
354/80-2; 382/58-69; 250/203.1, 216, 566, 568;
D26/37, 45, 50; 152/152.1, 526, 539;
340/825.54, 825.72, 446-448

FIG. 1 is a perspective view of an electronic scanner for retrieving stored data from the sidewall of a tire;
FIG. 2 is a left side elevational view thereof;
FIG. 3 is a front elevational view thereof;
FIG. 4 is a right side elevational view thereof;
FIG. 5 is an end elevational view thereof;
FIG. 6 is a top elevational view thereof;
FIG. 7 is a bottom elevational view thereof;
FIG. 8 is a top view similar to FIG. 6 wherein one end of the electronic reader device is illustrated in an alternative orientation relative to the other portion of the reader as shown in the preceding figures; and,
FIG. 9 is a left side view of the electronic scanner for retrieving stored data from the sidewall of a tire oriented as shown in FIG. 8.

[56] References Cited

U.S. PATENT DOCUMENTS

D. 319,228 8/1991 Mori et al. D14/116
D. 338,001 8/1993 Falkner et al. D14/116
D. 343,829 2/1994 Okuda et al. D14/116
3,770,040 11/1973 De Cicco 152/152.1
4,911,217 3/1990 Dunn et al. 152/152.1



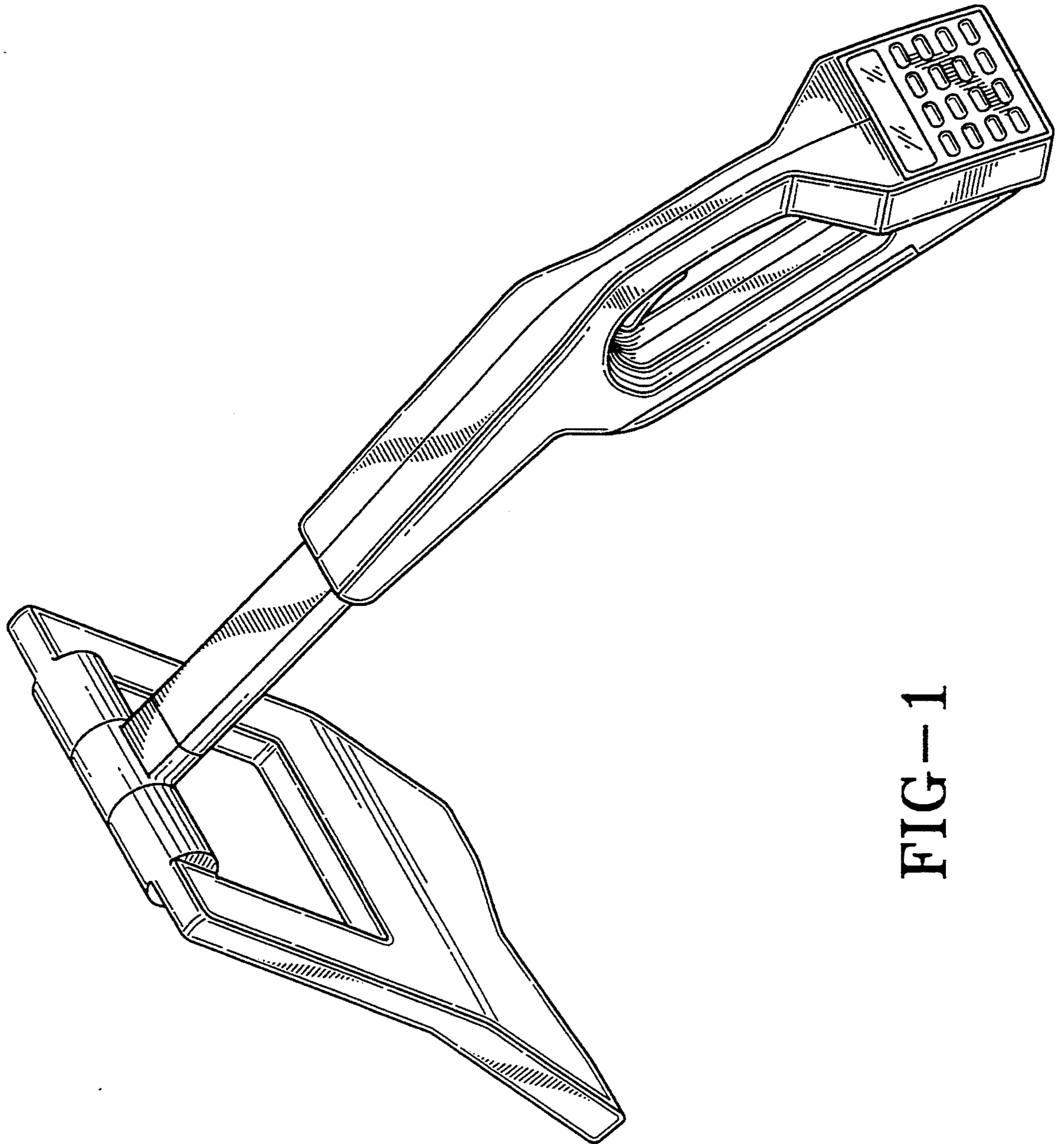


FIG-1

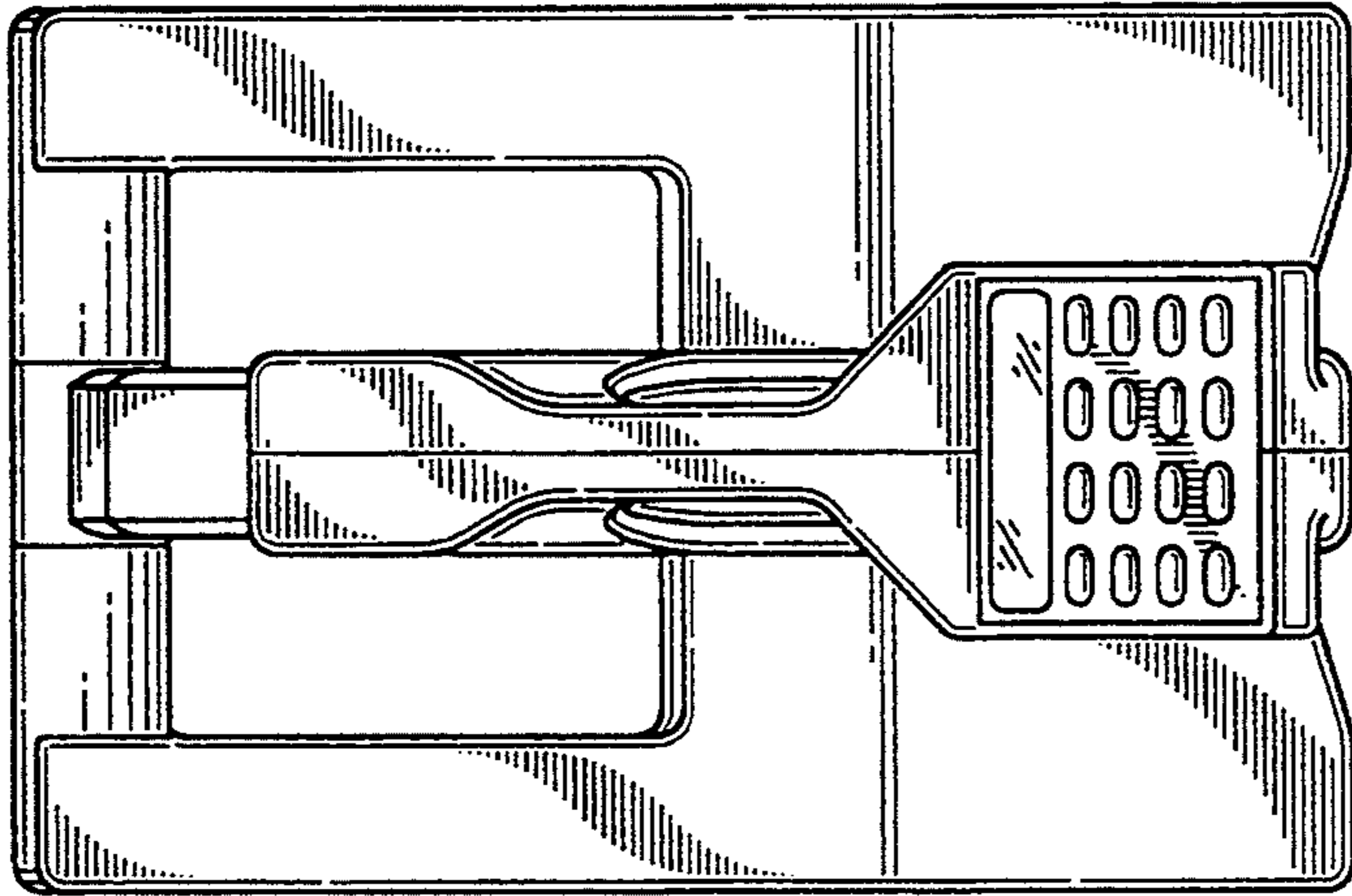


FIG-3

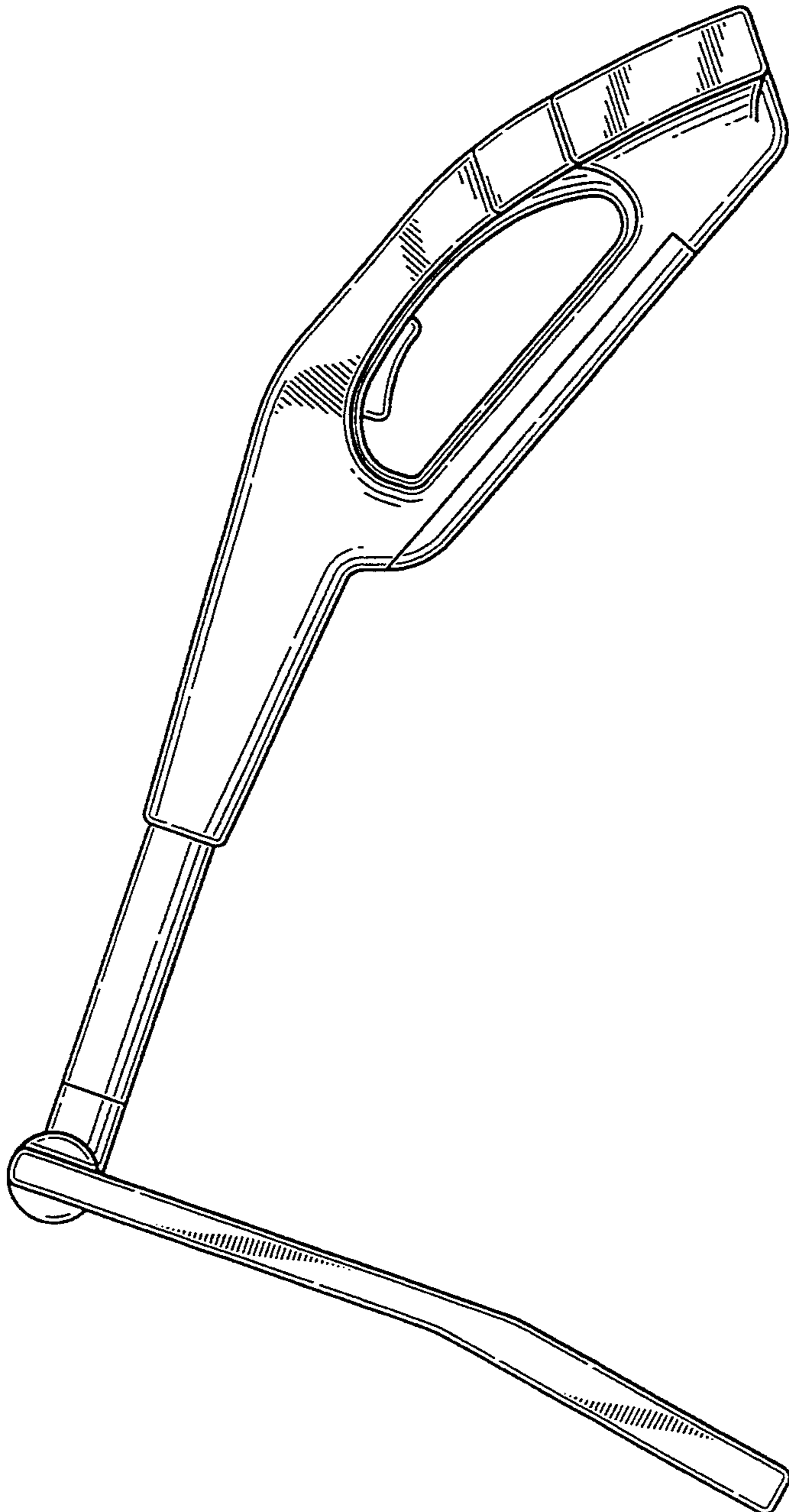


FIG-2

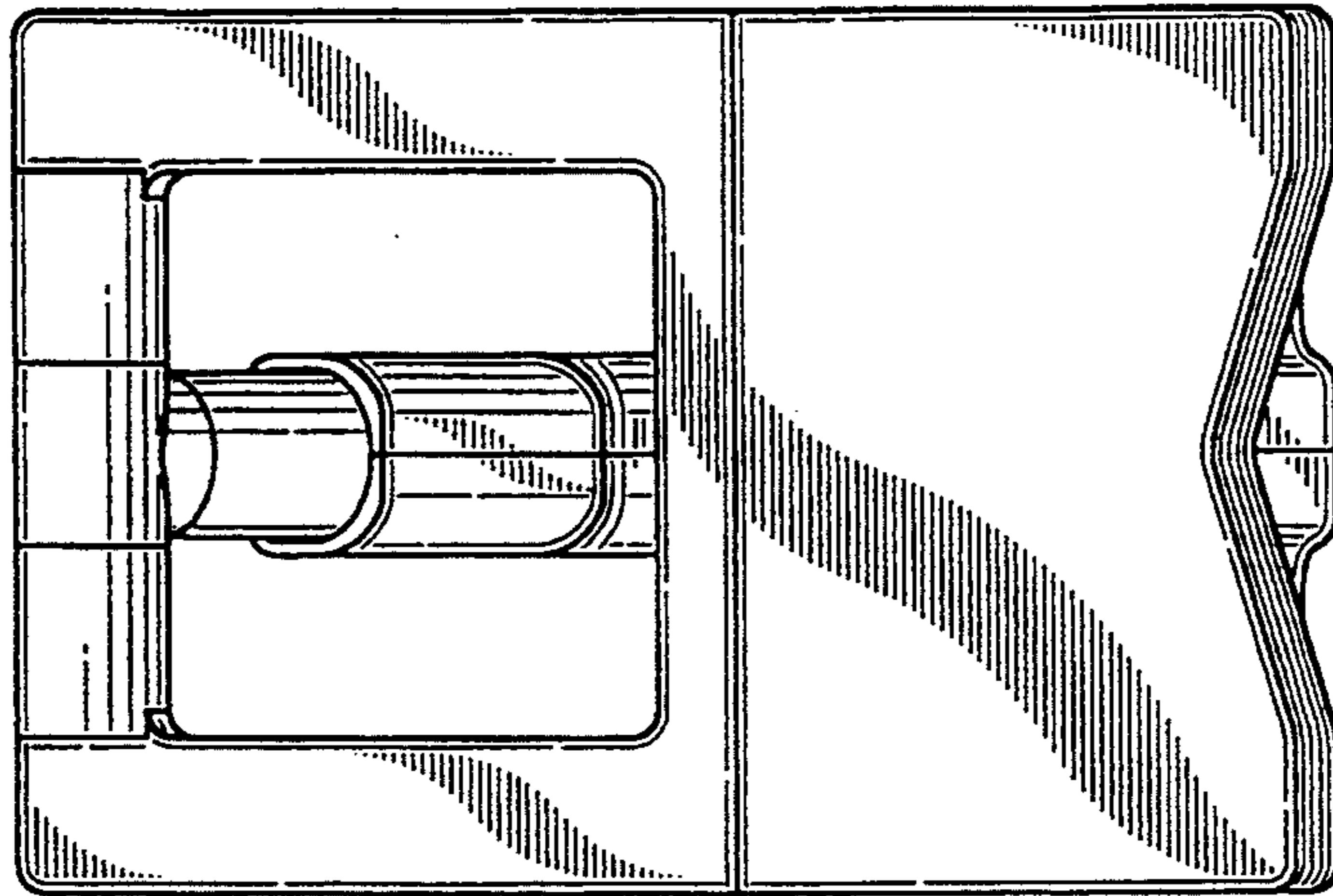


FIG-5

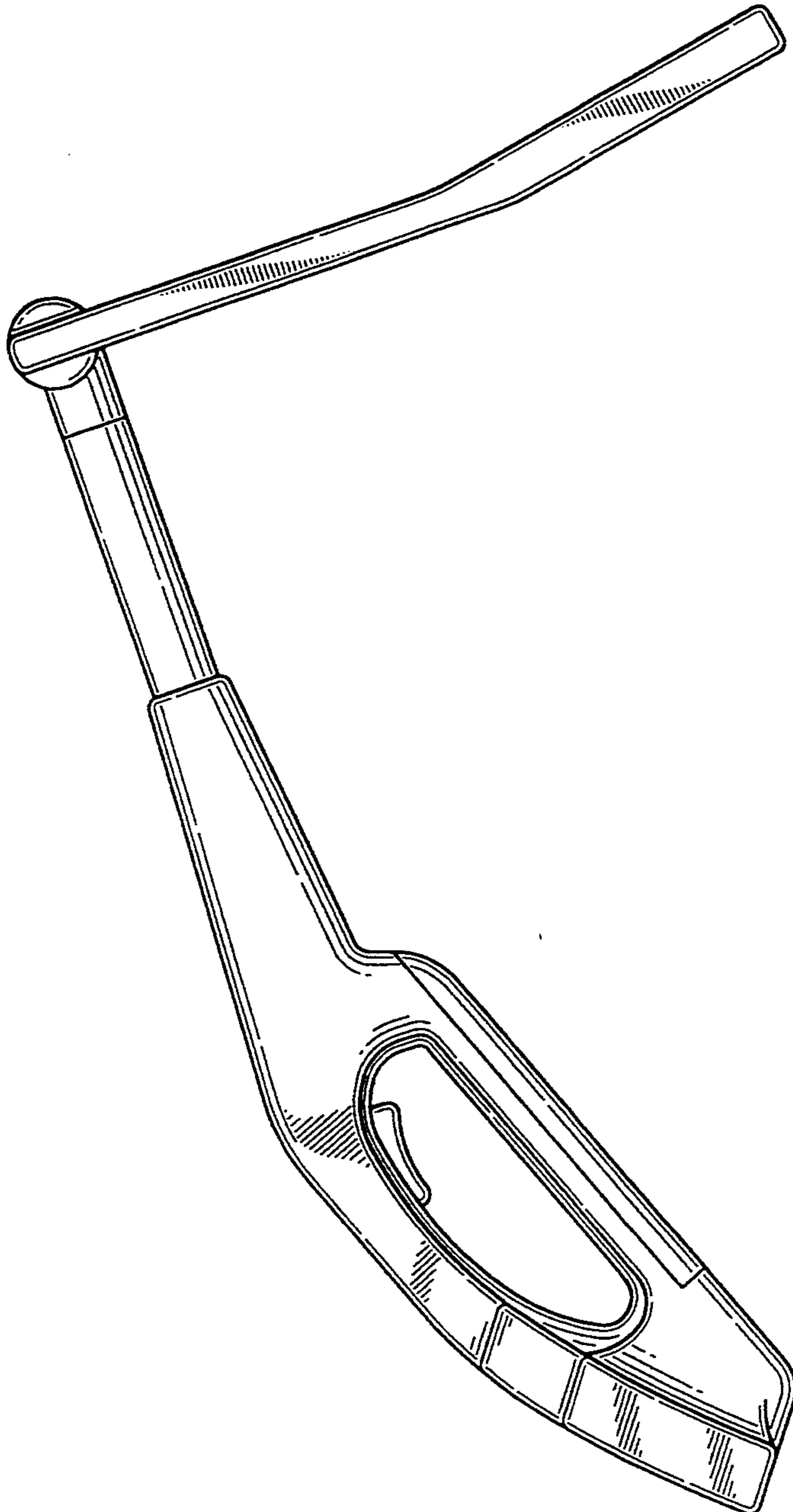


FIG-4

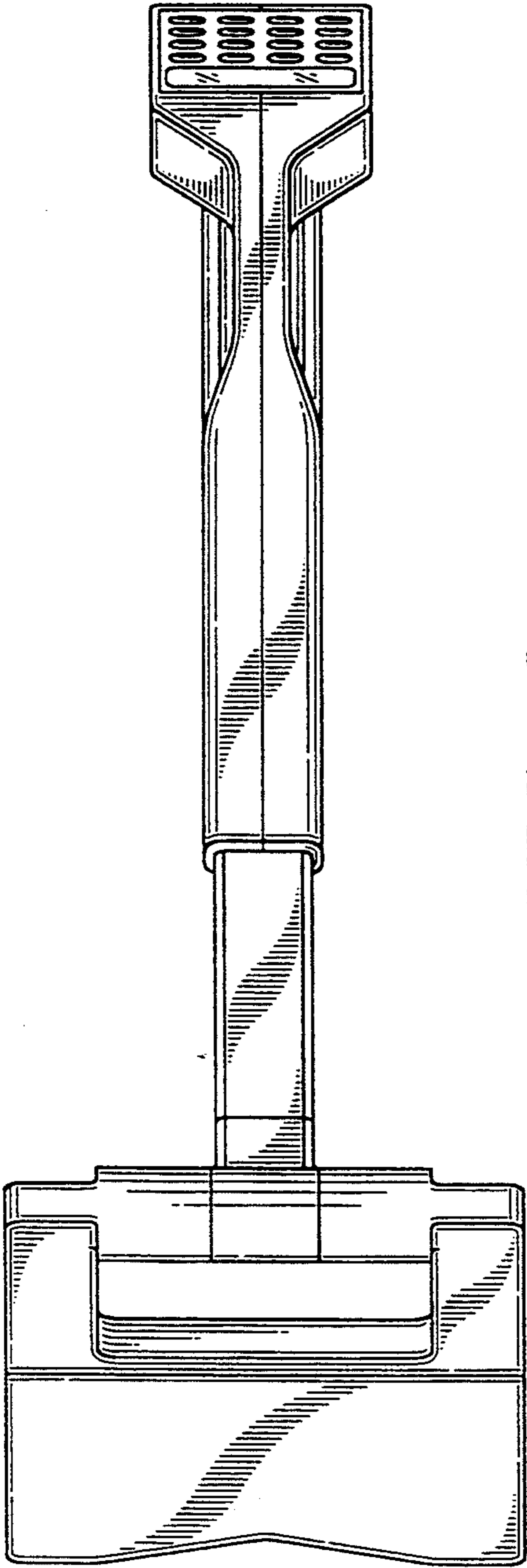


FIG-6

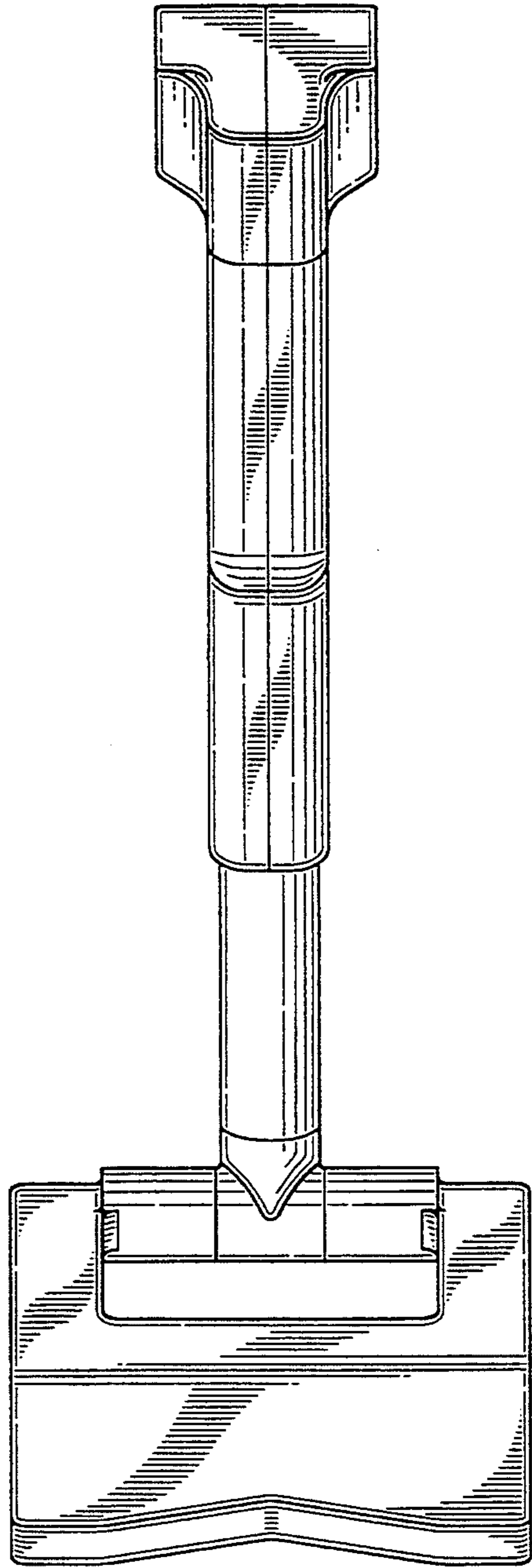


FIG-7

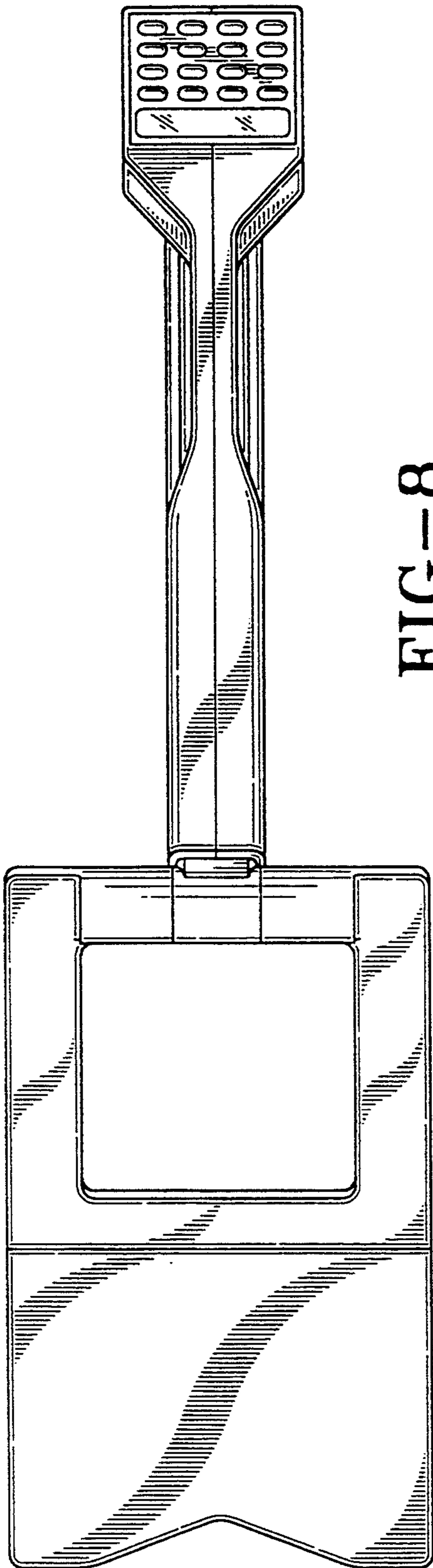


FIG-8

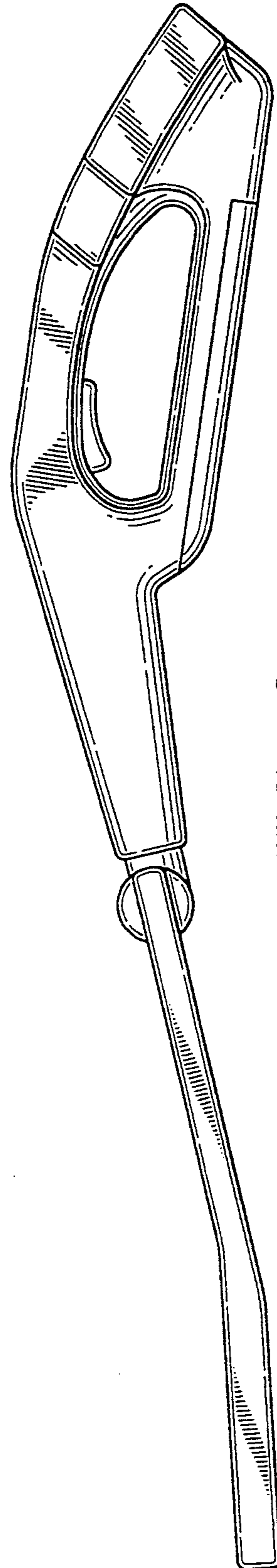


FIG-9