



US00D355901S

**United States Patent** [19]  
**Bradley**

[11] **Patent Number: Des. 355,901**  
[45] **Date of Patent: \*\* Feb. 28, 1995**

- [54] **COMPUTER MOUSE**
- [75] **Inventor: Paul E. Bradley, Woodside, Calif.**
- [73] **Assignee: Logitech, Inc., Fremont, Calif.**
- [\*\*] **Term: 14 Years**
- [21] **Appl. No.: 11,532**
- [22] **Filed: Aug. 6, 1993**
- [52] **U.S. Cl. .... D14/114**
- [58] **Field of Search ..... D14/100, 114; D13/158;**  
D21/48; 178/18-19; 200/5 R, 5 A, 6 R, 6 A;  
213/148 B; 273/148 B; 345/156-167; 74/471  
XY

D. 340,926 11/1993 Lin ..... D14/114  
5,162,780 11/1992 Sollyell ..... 345/167 X

*Primary Examiner*—Wallace R. Burke  
*Assistant Examiner*—M. H. Tung  
*Attorney, Agent, or Firm*—James E. Eakin; Janet K. Castaneda

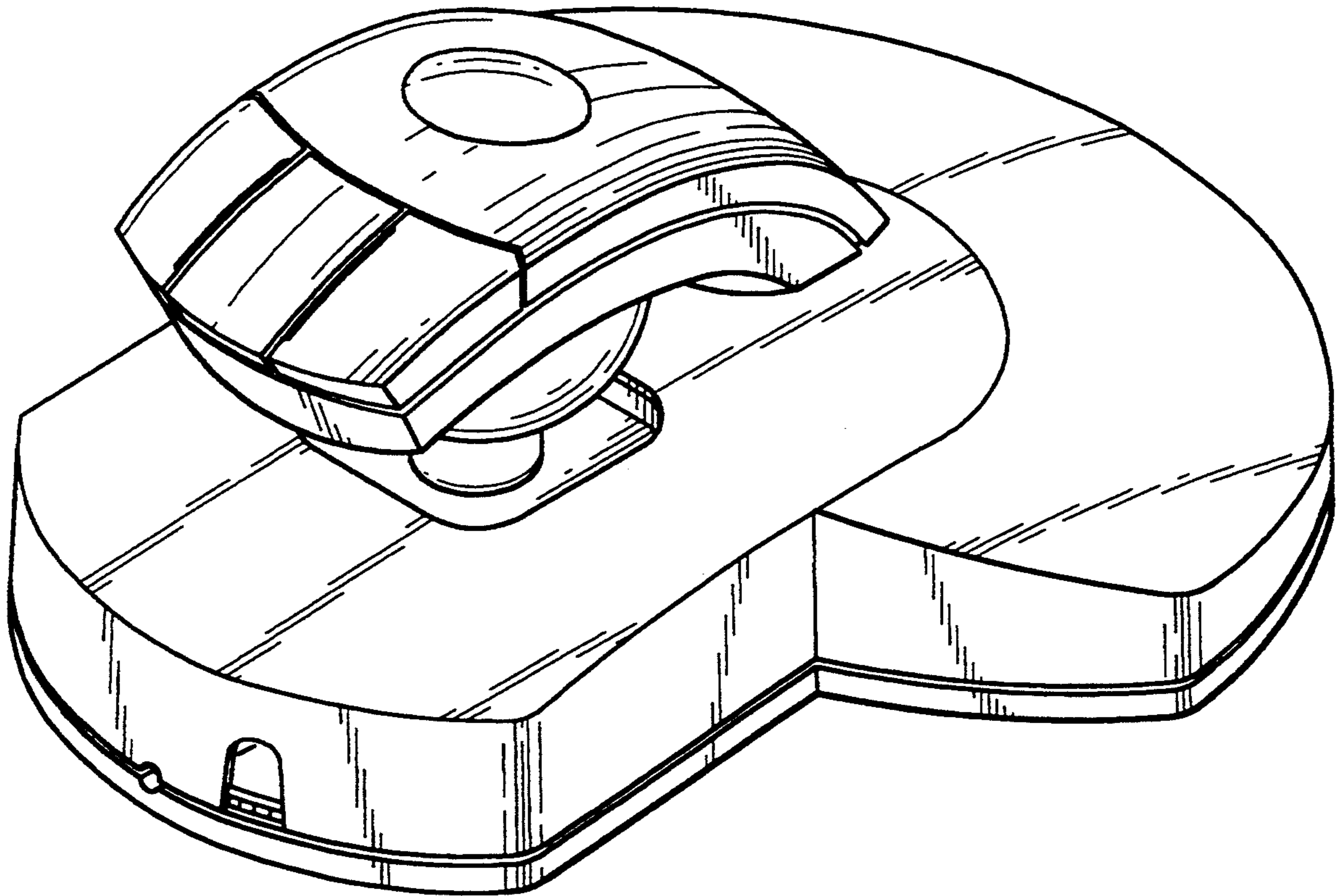
[57] **CLAIM**

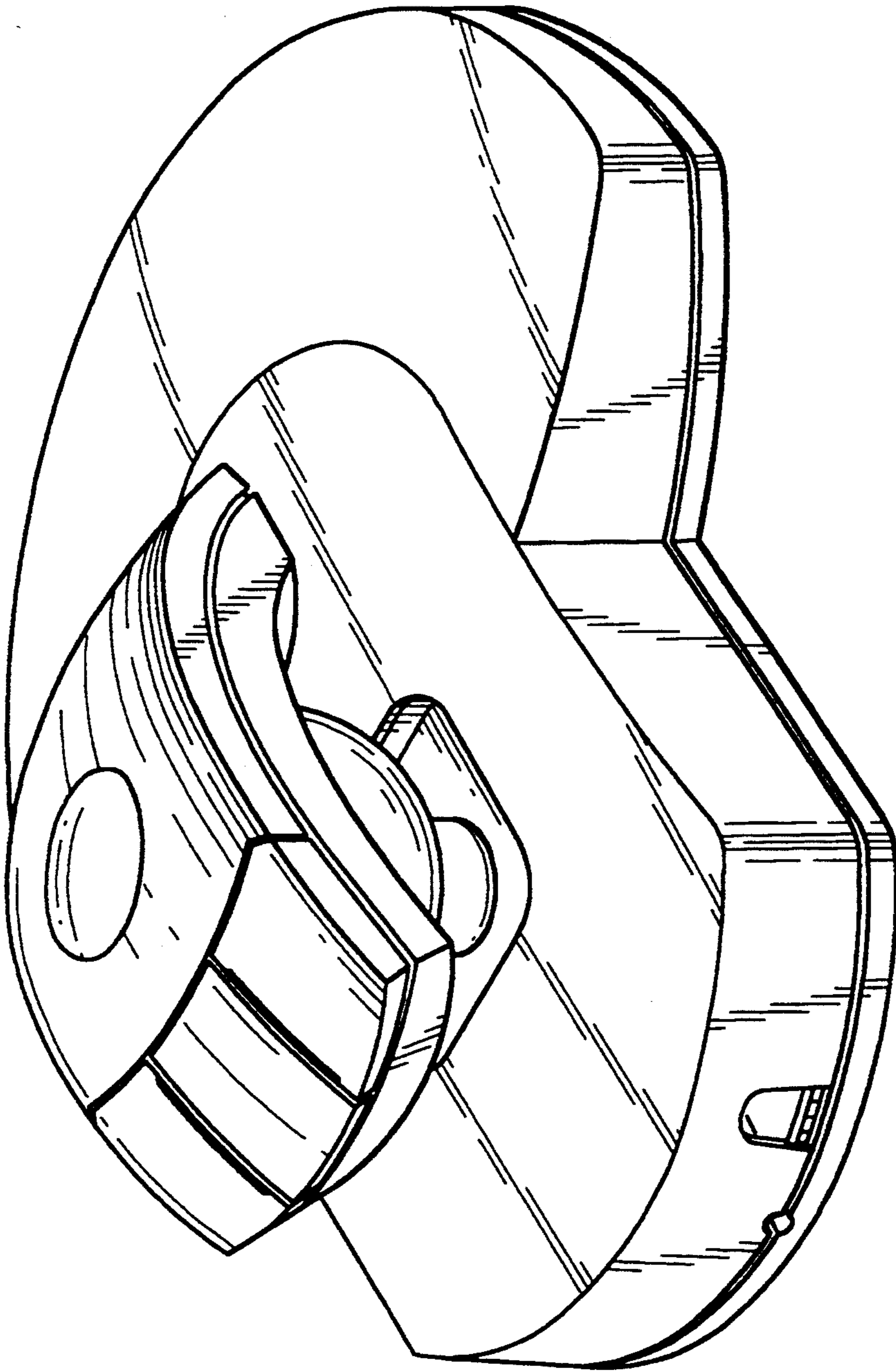
The ornamental design for a computer mouse, as shown.

**DESCRIPTION**

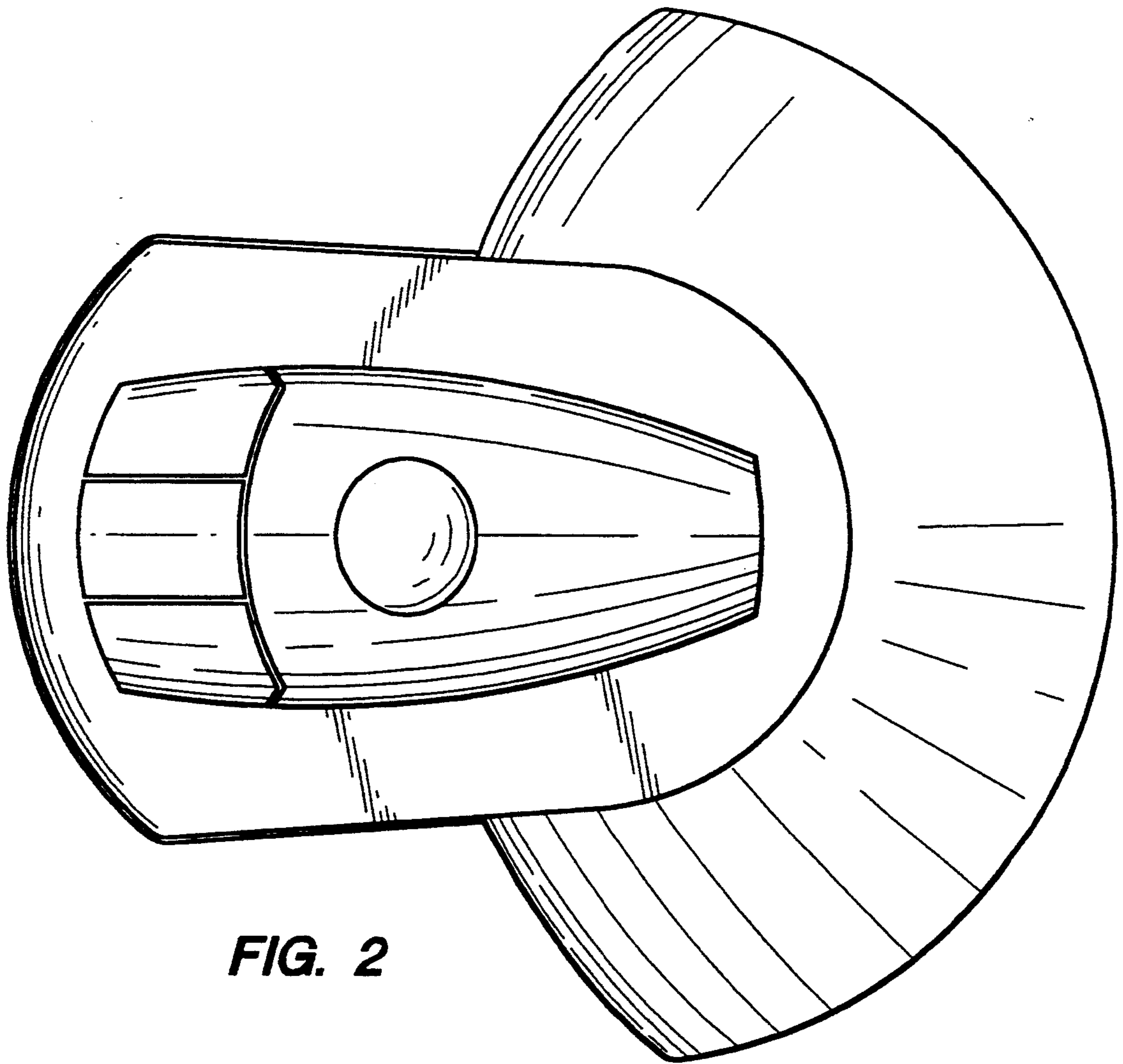
FIG. 1 is a front and right side perspective view in elevation of a computer mouse showing the new design of the present invention;  
FIG. 2 is a top plan view thereof;  
FIG. 3 is a right side elevational view thereof;  
FIG. 4 is a front elevational view thereof;  
FIG. 5 is a rear elevational view thereof;  
FIG. 6 is a left side elevational view thereof; and,  
FIG. 7 is a bottom plan view thereof.

- [56] **References Cited**
- U.S. PATENT DOCUMENTS**
- D. 328,597 8/1992 Clouss ..... D14/114
- D. 336,900 6/1993 Pfeifer ..... D14/114
- D. 337,321 7/1993 Koh et al. .... D14/114
- D. 340,924 11/1993 Tso ..... D14/114

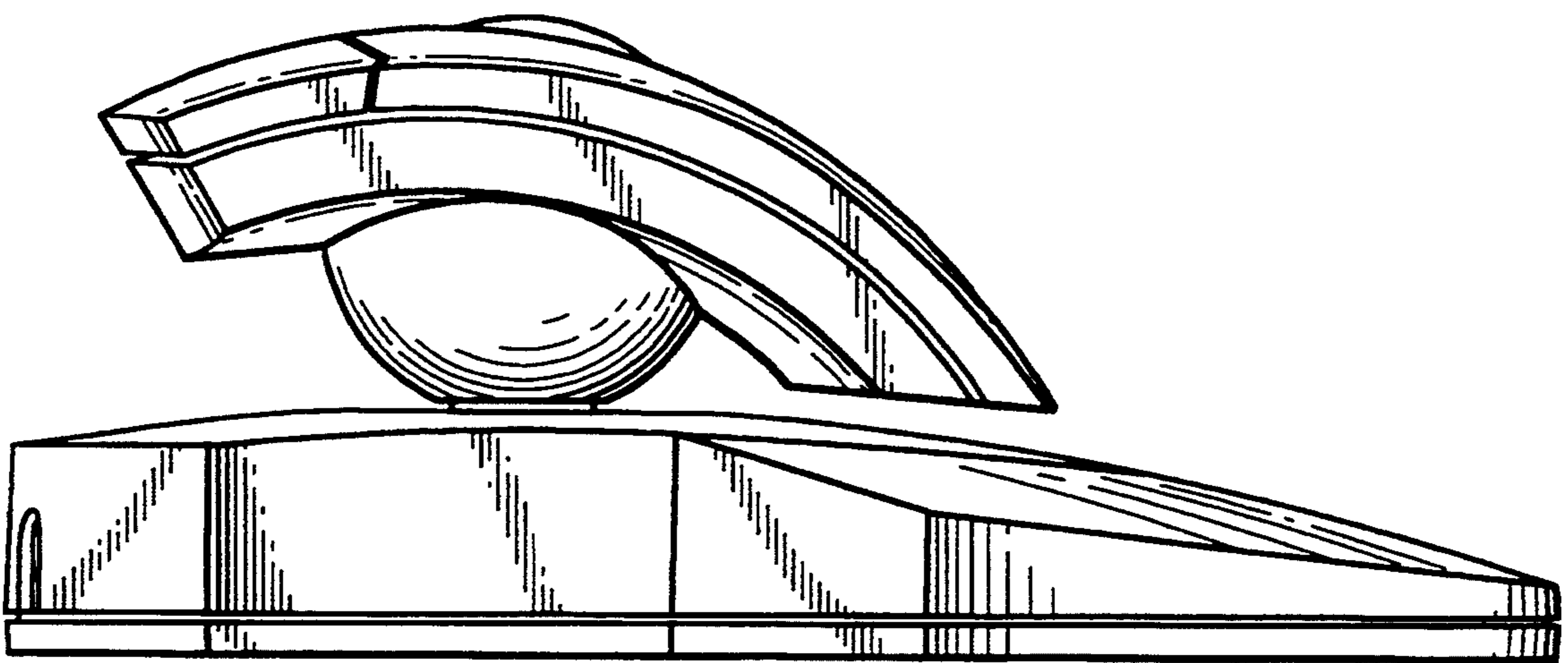




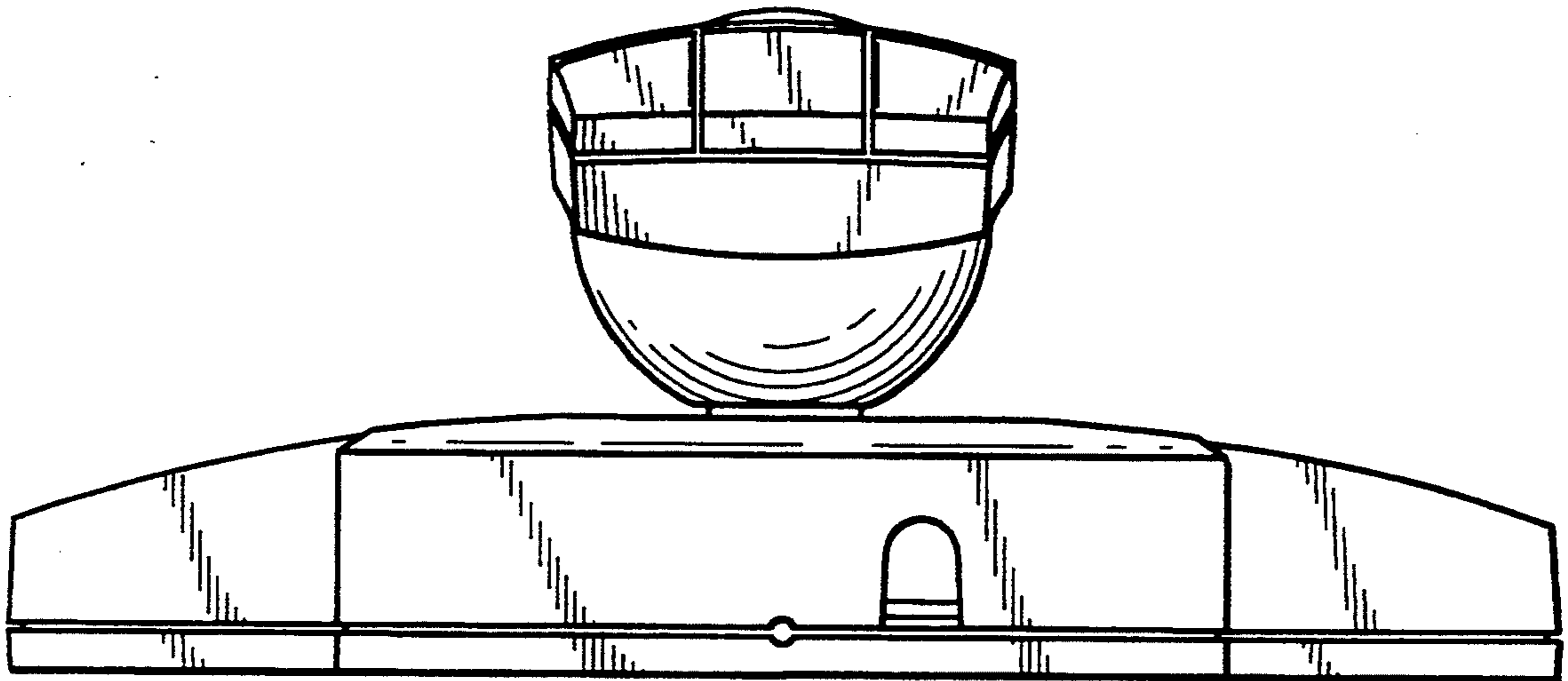
**FIG. 1**



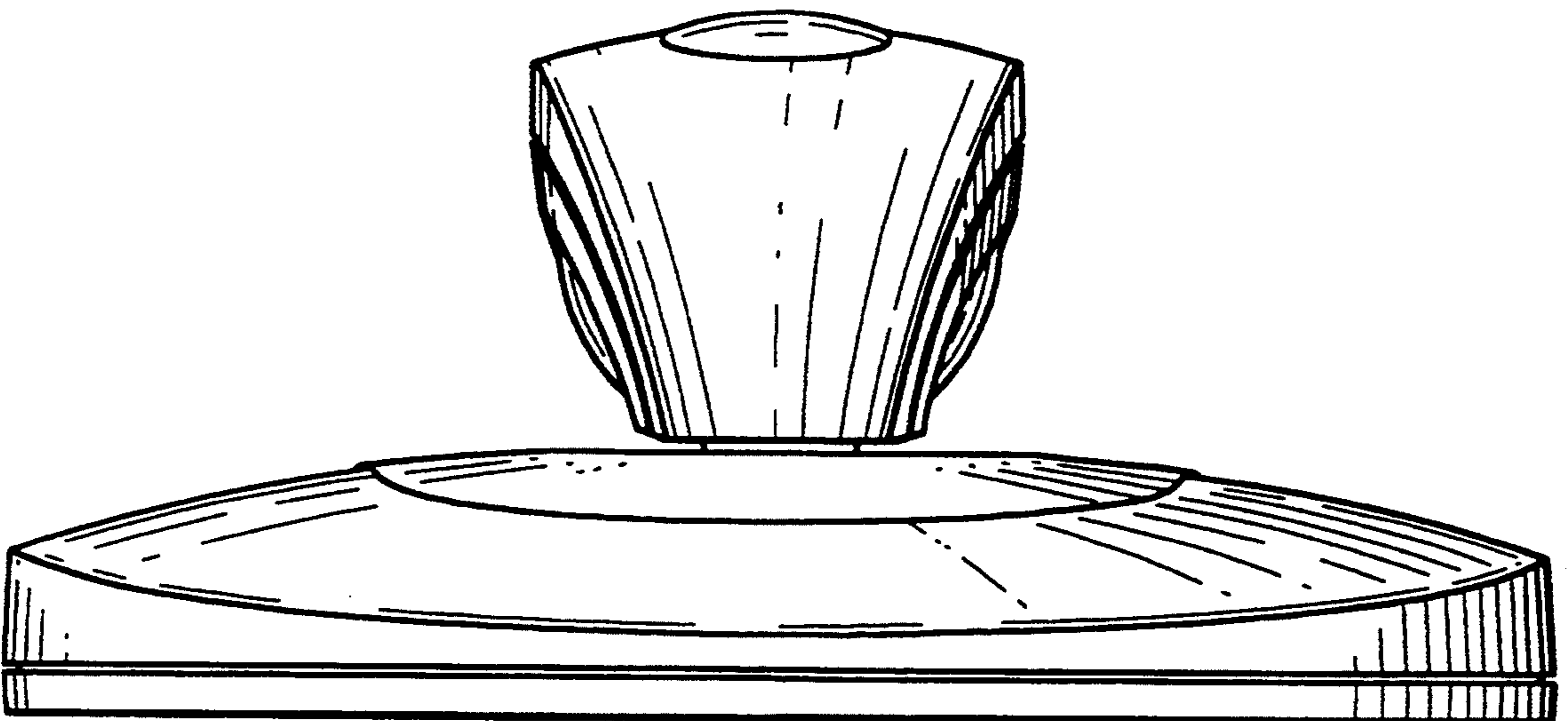
**FIG. 2**



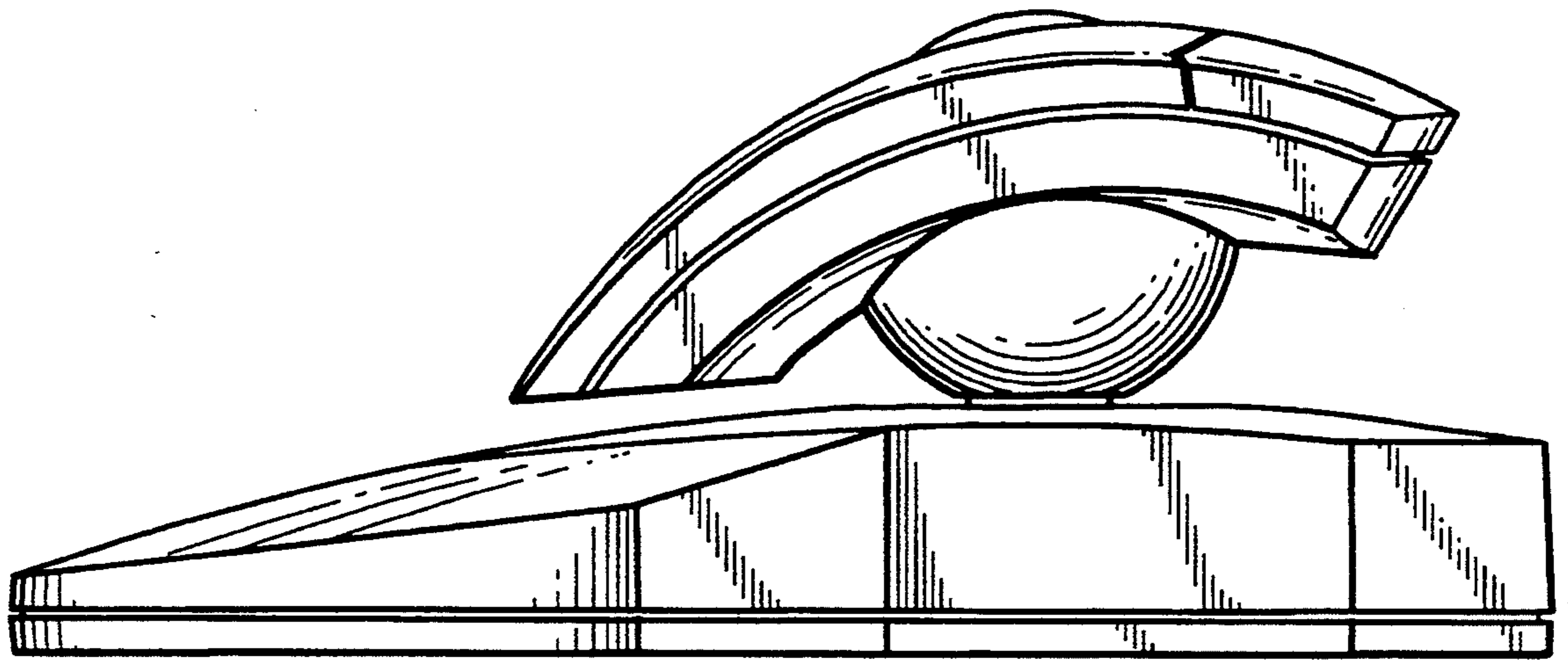
**FIG. 3**



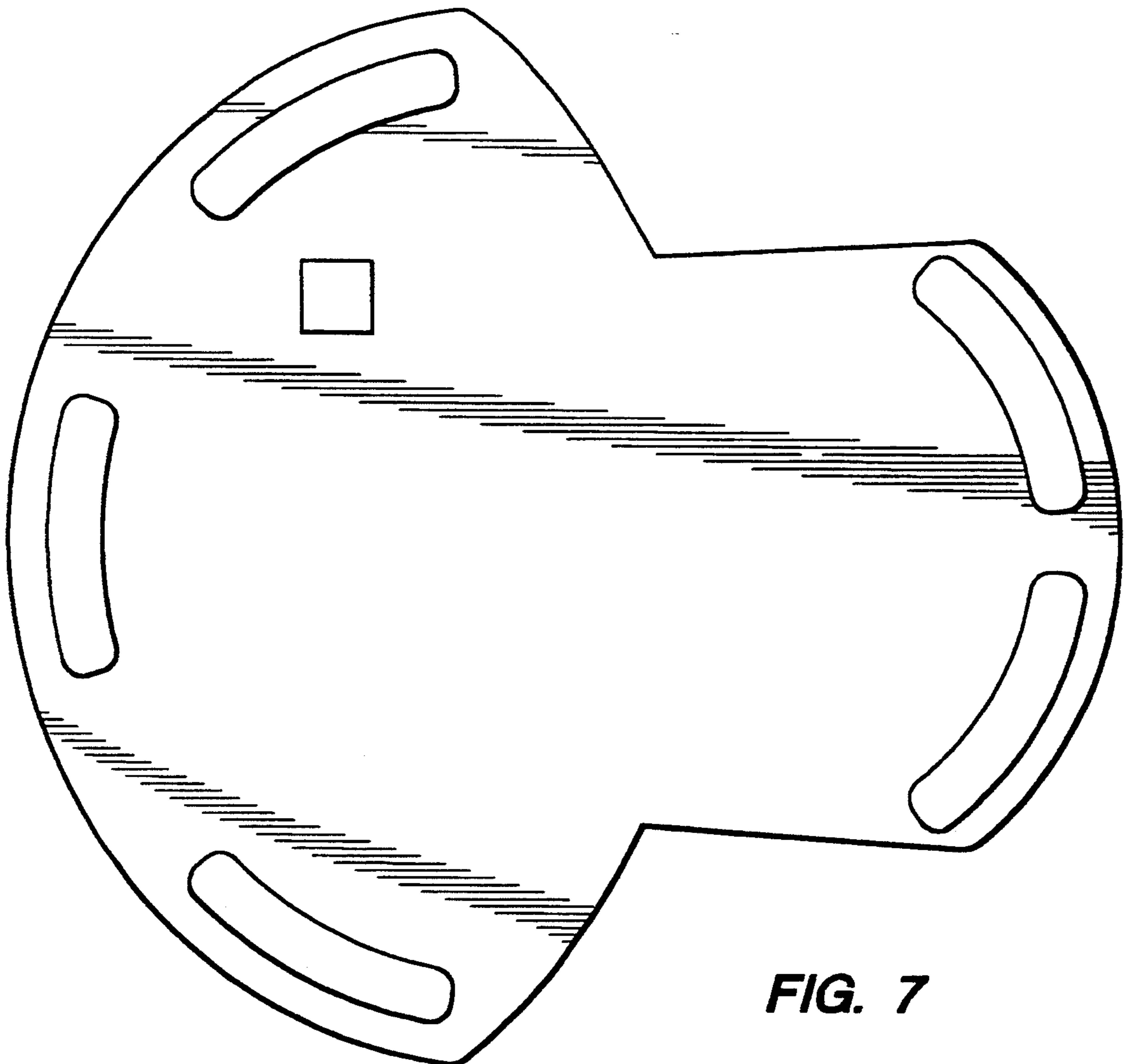
**FIG. 4**



**FIG. 5**



**FIG. 6**



**FIG. 7**